



US00D931741S

(12) **United States Design Patent** (10) **Patent No.:** **US D931,741 S**
Liao (45) **Date of Patent:** **** Sep. 28, 2021**

(54) **MEASURING SPOON**

(71) Applicant: **Shenzhenshi xiayingkeji**
youxiangongsi, Shenzhen Guangdong
(CN)

(72) Inventor: **Yanxia Liao**, Chaozhou Guangdong
(CN)

(**) Term: **15 Years**

(21) Appl. No.: **29/749,113**

(22) Filed: **Sep. 2, 2020**

(51) **LOC (13) Cl.** **10-04**

(52) **U.S. Cl.**
USPC **D10/46.2**

(58) **Field of Classification Search**
USPC D7/653, 691, 401.2, 681, 692; D10/46.2,
D10/46.3; D30/162; D24/116
CPC G01F 19/00; G01F 19/002; A47G 21/04;
A61J 7/0023
See application file for complete search history.

(56) **References Cited**

U.S. PATENT DOCUMENTS

D179,956 S *	3/1957	Setecka	D10/46.3
D297,202 S *	8/1988	Zumwalt	D7/691
D328,867 S *	8/1992	Watt	D10/46.2
D368,997 S *	4/1996	Tucker	D7/692
D387,957 S *	12/1997	Keller	D7/691
D403,256 S *	12/1998	Weterrings	D10/46.3
D467,823 S *	12/2002	McGuyer	D10/46.3
D488,394 S *	4/2004	Overthun	D10/46.2
D492,605 S *	7/2004	Mastroianni	D10/46.2
D508,371 S *	8/2005	Campbell	D7/395
D519,333 S *	4/2006	Stewart	D10/46.2
D567,600 S *	4/2008	Matsumura	D10/46.2
D592,451 S *	5/2009	Logiudice	D7/395
D596,457 S *	7/2009	Claps	D7/401.2
D615,886 S *	5/2010	Pallotto	
D674,712 S *	1/2013	Robbins	D10/46.3
D737,696 S *	9/2015	Bagley	D10/46.3

D906,768 S *	1/2021	Braidotti	D7/653
D908,449 S *	1/2021	Kim	D7/681
D915,159 S *	4/2021	Xie	D7/691
D922,220 S *	6/2021	Liao	D10/46.2
2012/0222482 A1 *	9/2012	Kern	G01F 19/002 73/426

FOREIGN PATENT DOCUMENTS

KR	300915019.0000	*	7/2017
KR	300978925.0000	*	10/2018

OTHER PUBLICATIONS

Zulay Kitchen, Heavy Duty Stainless Steel, Jun. 14, 2019, Amazon, <https://www.amazon.com/Stainless-Steel-Measuring-Spoons-Zulay/dp/B07PXM749F> (Year: 2019).*

Wildone, Measuring Cups and Spoons, Feb. 25, 2020, Amazon, <https://www.amazon.com/dp/B0855N7KJC> (Year: 2020).*

* cited by examiner

Primary Examiner — Brett Miller

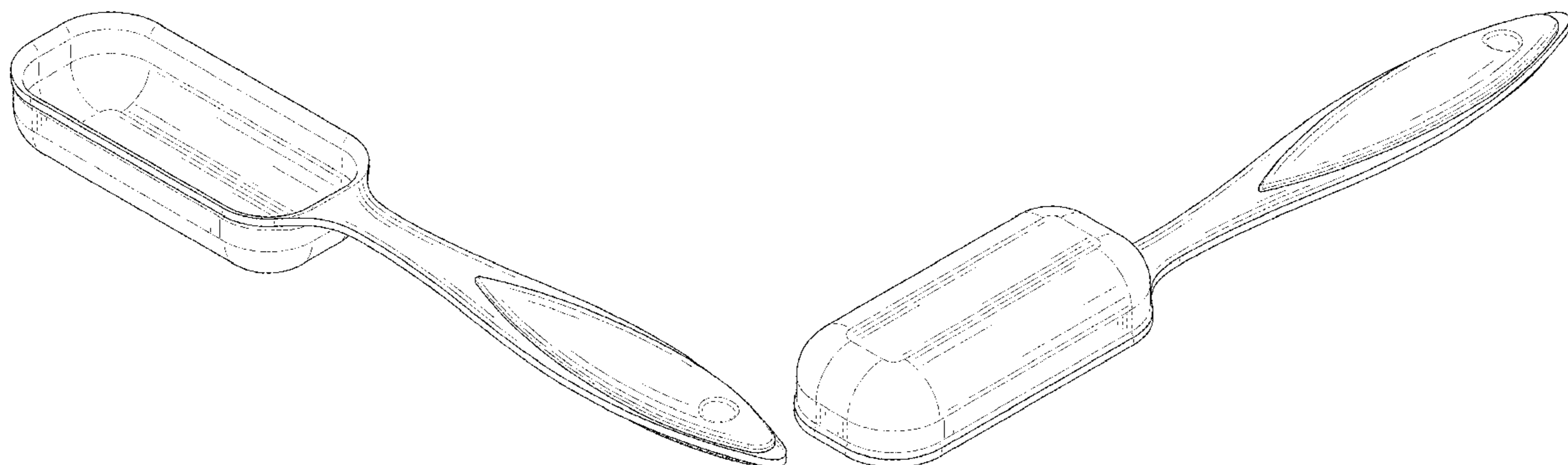
(57) **CLAIM**

The ornamental design for a measuring spoon, as shown and described.

DESCRIPTION

FIG. 1 is a front and top perspective view of a measuring spoon, showing my new design;
FIG. 2 is a rear and bottom perspective view thereof;
FIG. 3 is a front elevational view thereof;
FIG. 4 is a rear elevational view thereof;
FIG. 5 is a left side elevational view thereof;
FIG. 6 is a right side elevational view thereof;
FIG. 7 is a top plan view thereof; and,
FIG. 8 is a bottom plan view thereof.
The broken lines in the figures illustrate portions of the article that form no part of the claimed design.

1 Claim, 8 Drawing Sheets



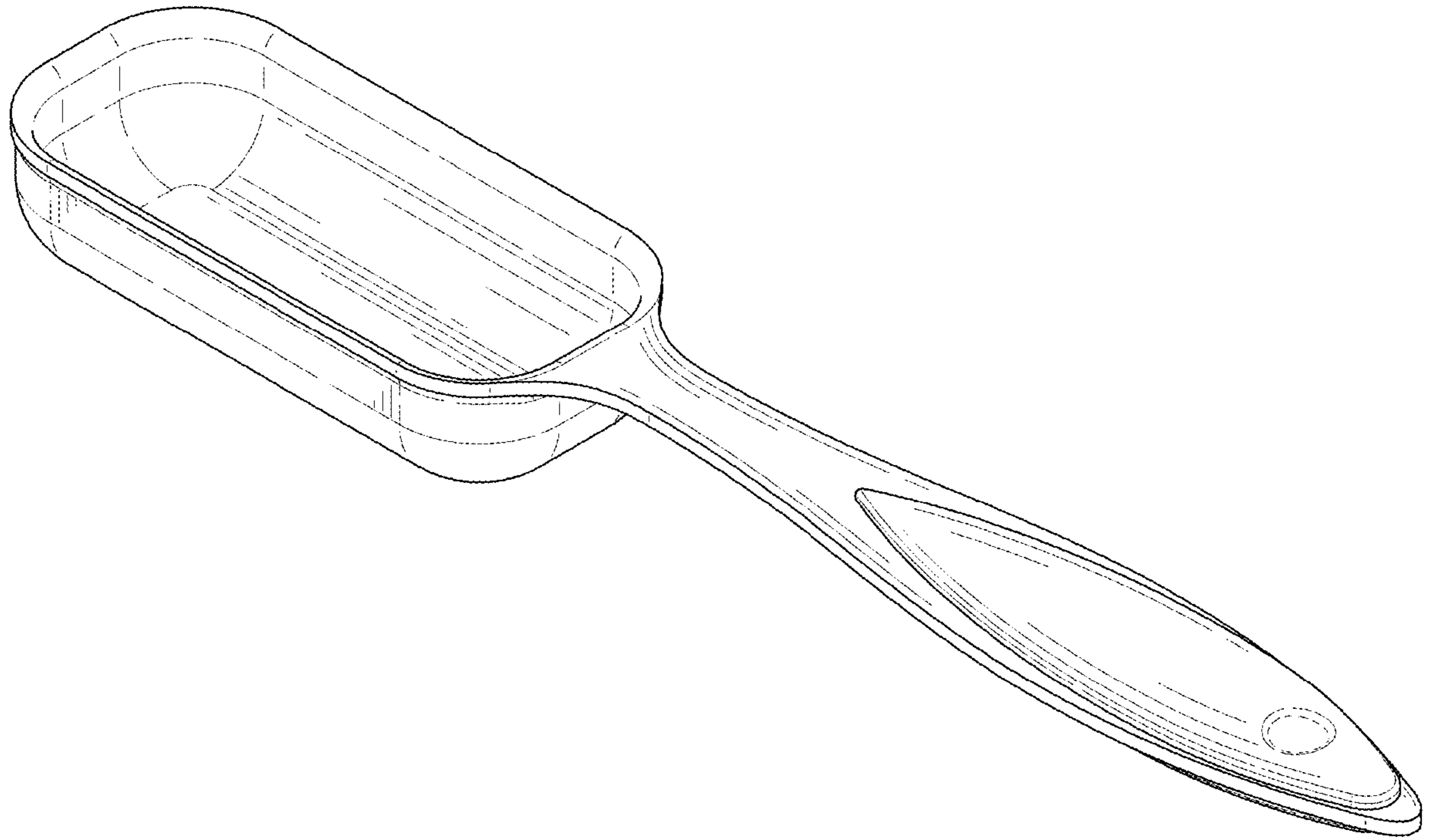


FIG. 1

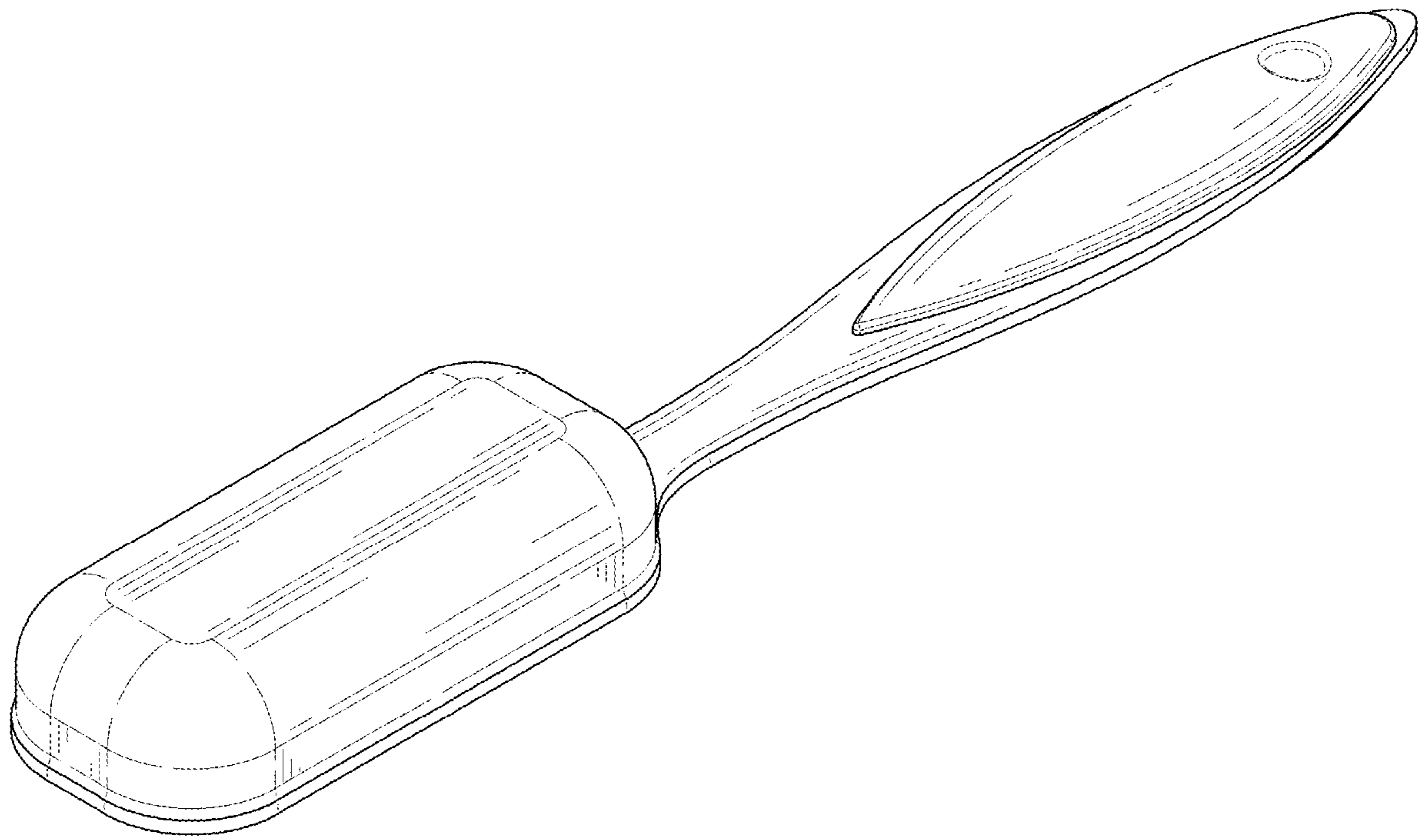


FIG. 2

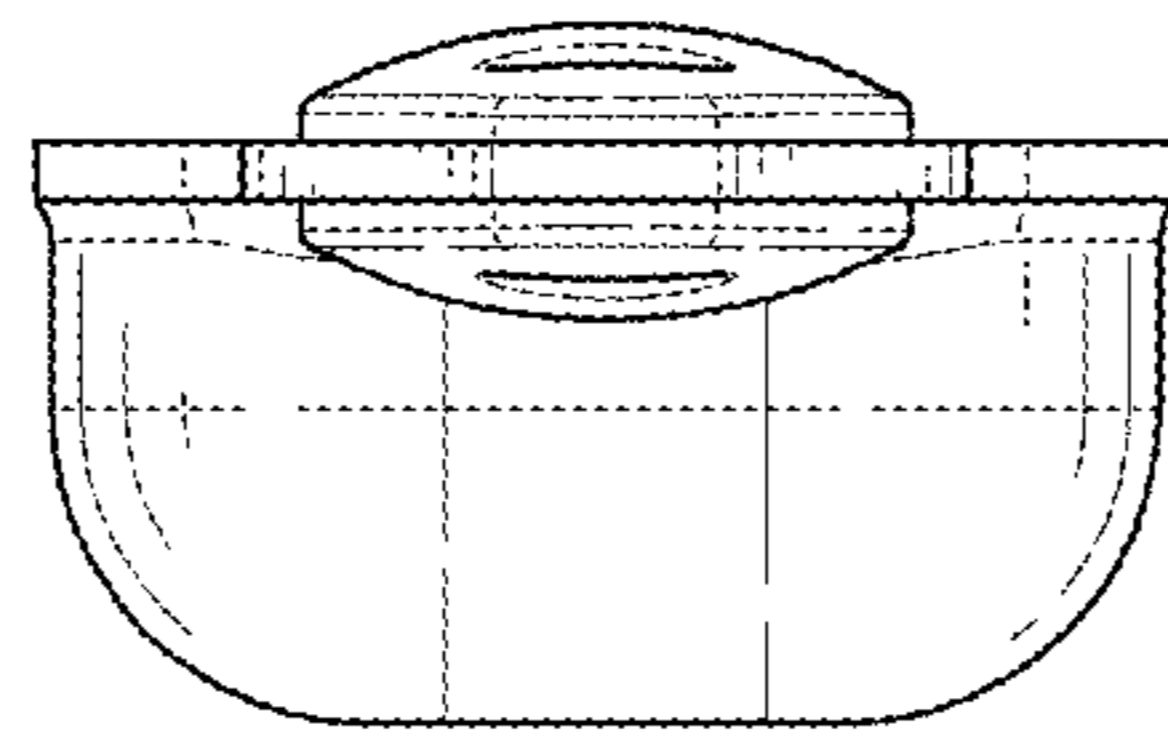


FIG. 3

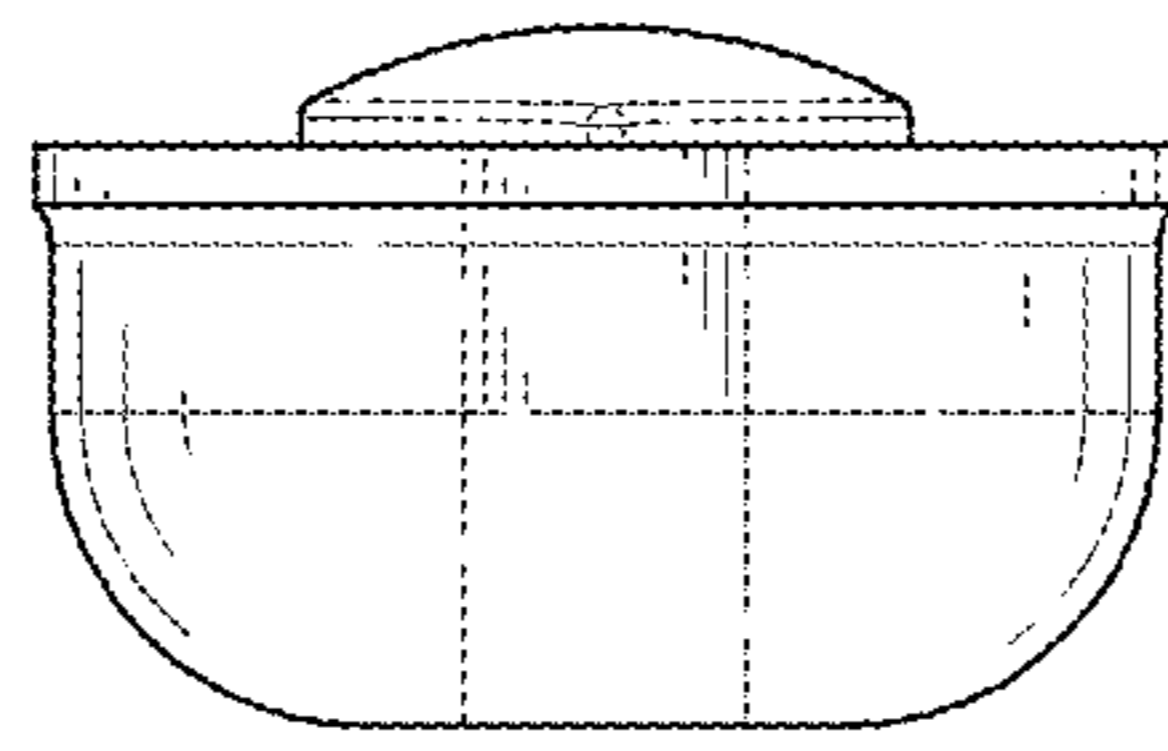


FIG. 4

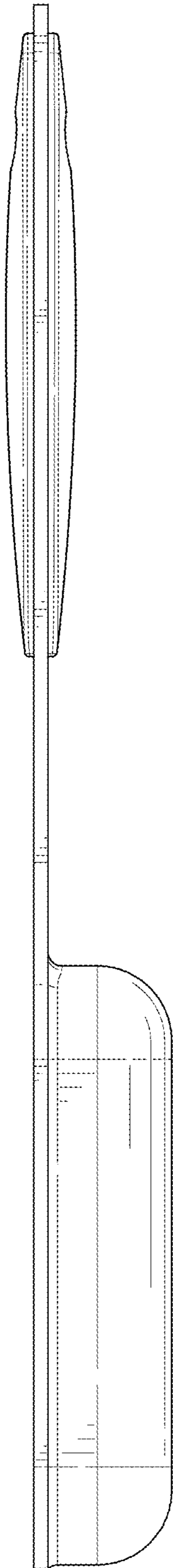


FIG. 5

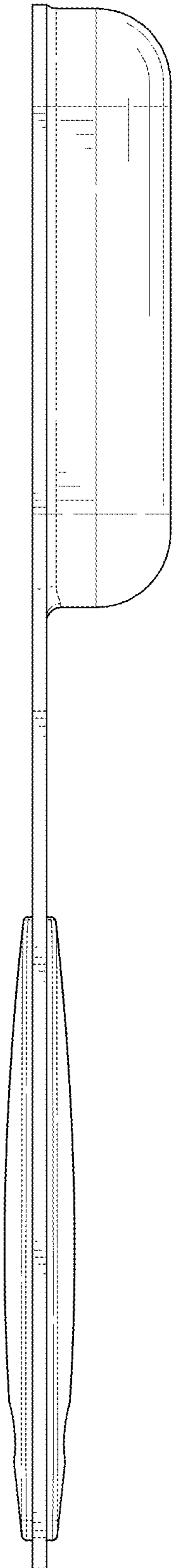


FIG. 6

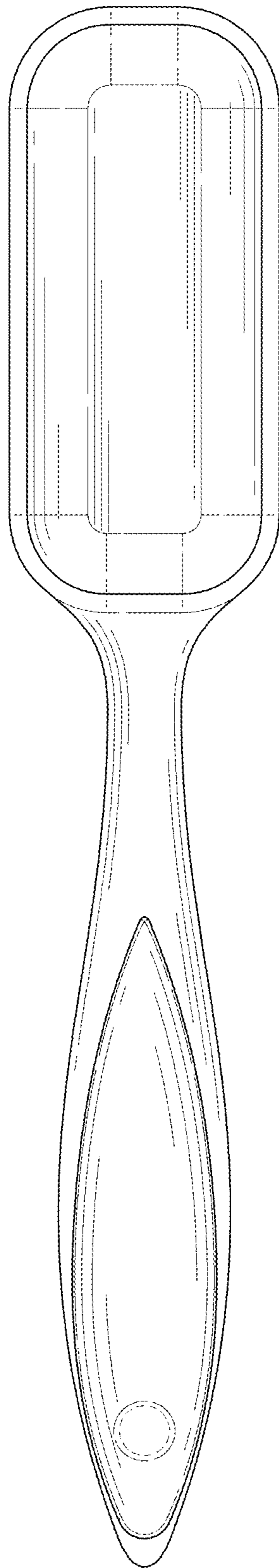


FIG. 7

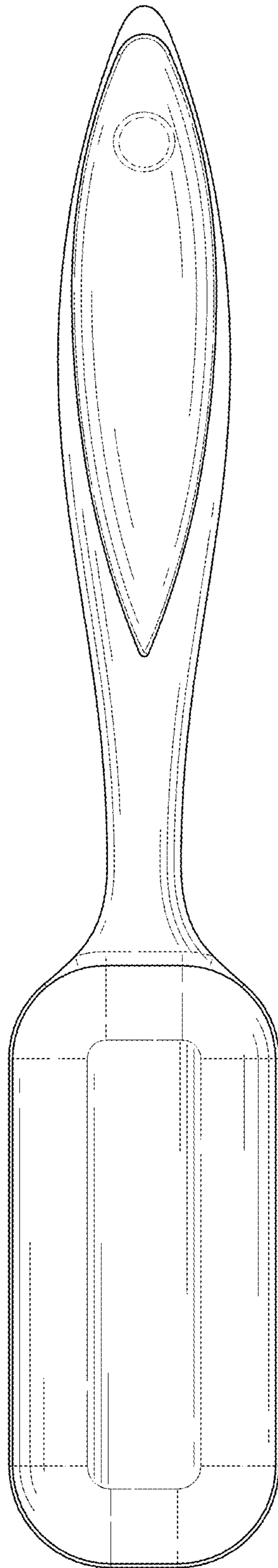


FIG. 8