



US00D931740S

(12) **United States Design Patent** (10) **Patent No.:** **US D931,740 S**
Raisich et al. (45) **Date of Patent:** **** Sep. 28, 2021**

(54) **QUALITY SENSOR**

CPC D03D 47/367; B65H 59/18
See application file for complete search history.

(71) Applicant: **Saurer Technologies GmbH & Co. KG, Krefeld (DE)**

(56) **References Cited**

(72) Inventors: **Andrej Raisich, Kempten (DE); Sergei Singer, Krefeld (DE); Gordon Rigg, Derbyshire (GB)**

U.S. PATENT DOCUMENTS

(73) Assignee: **Saurer Technologies GmbH & Co. KG, Krefeld (DE)**

6,125,663 A * 10/2000 Weber D03D 47/367
66/132 R
2020/0024775 A1* 1/2020 Duralti B65H 59/18
* cited by examiner

(**) Term: **15 Years**

Primary Examiner — George D. Kirschbaum
(74) *Attorney, Agent, or Firm* — Nelson Mullins Riley & Scarborough LLP

(21) Appl. No.: **35/509,040**

(22) Filed: **Feb. 26, 2020**

(57) **CLAIM**

The ornamental design for a quality sensor, as shown and described.

(80) **Hague Agreement Data**

Int. Filing Date: **Feb. 26, 2020**
Int. Reg. No.: **DM/206948**
Int. Reg. Date: **Feb. 26, 2020**
Int. Reg. Pub. Date: **Apr. 10, 2020**

DESCRIPTION

(30) **Foreign Application Priority Data**

Sep. 6, 2019 (DE) 402019100966.3

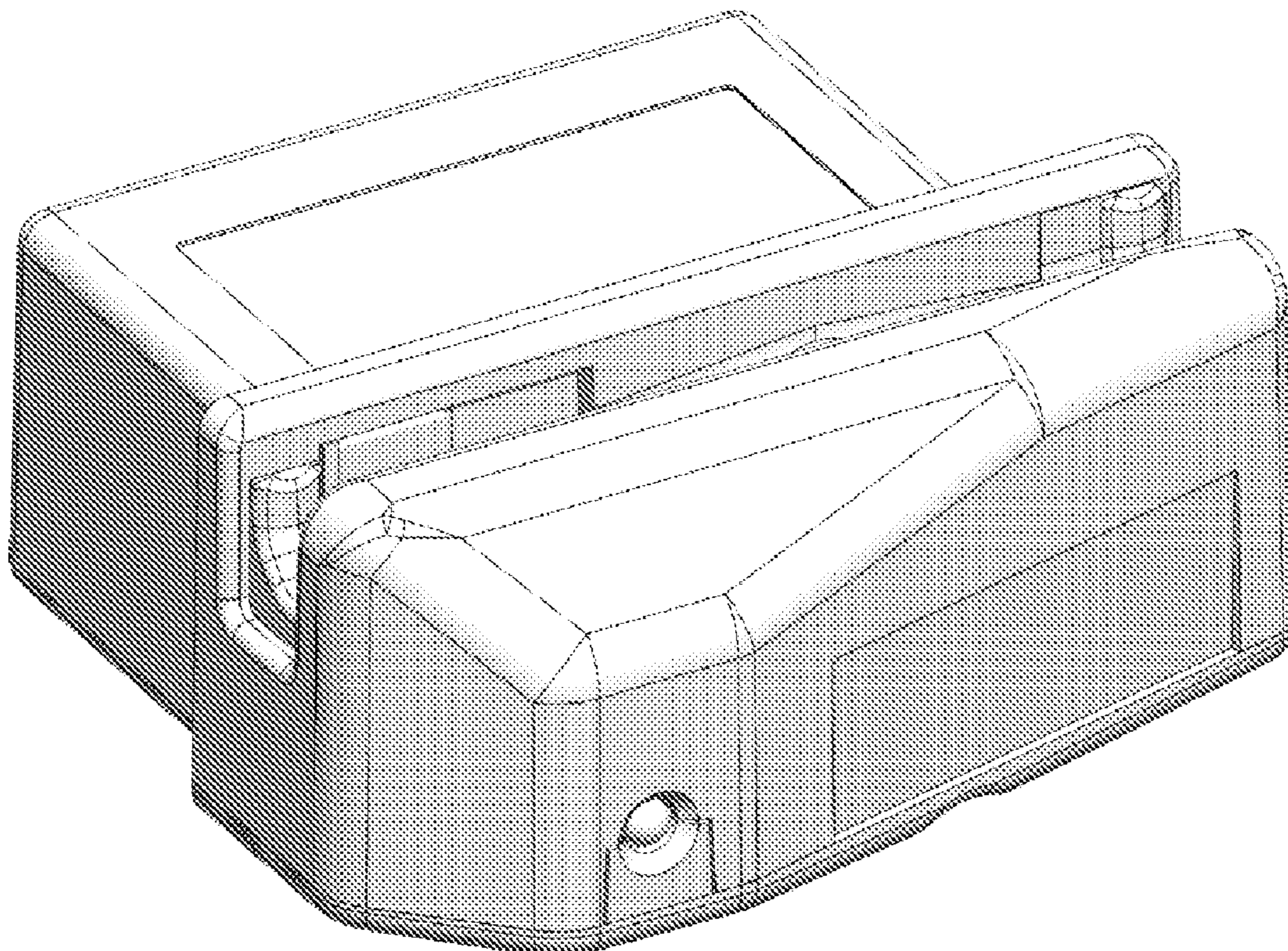
(51) **LOC (13) Cl.** **10-04**

(52) **U.S. Cl.**
USPC **D10/46**

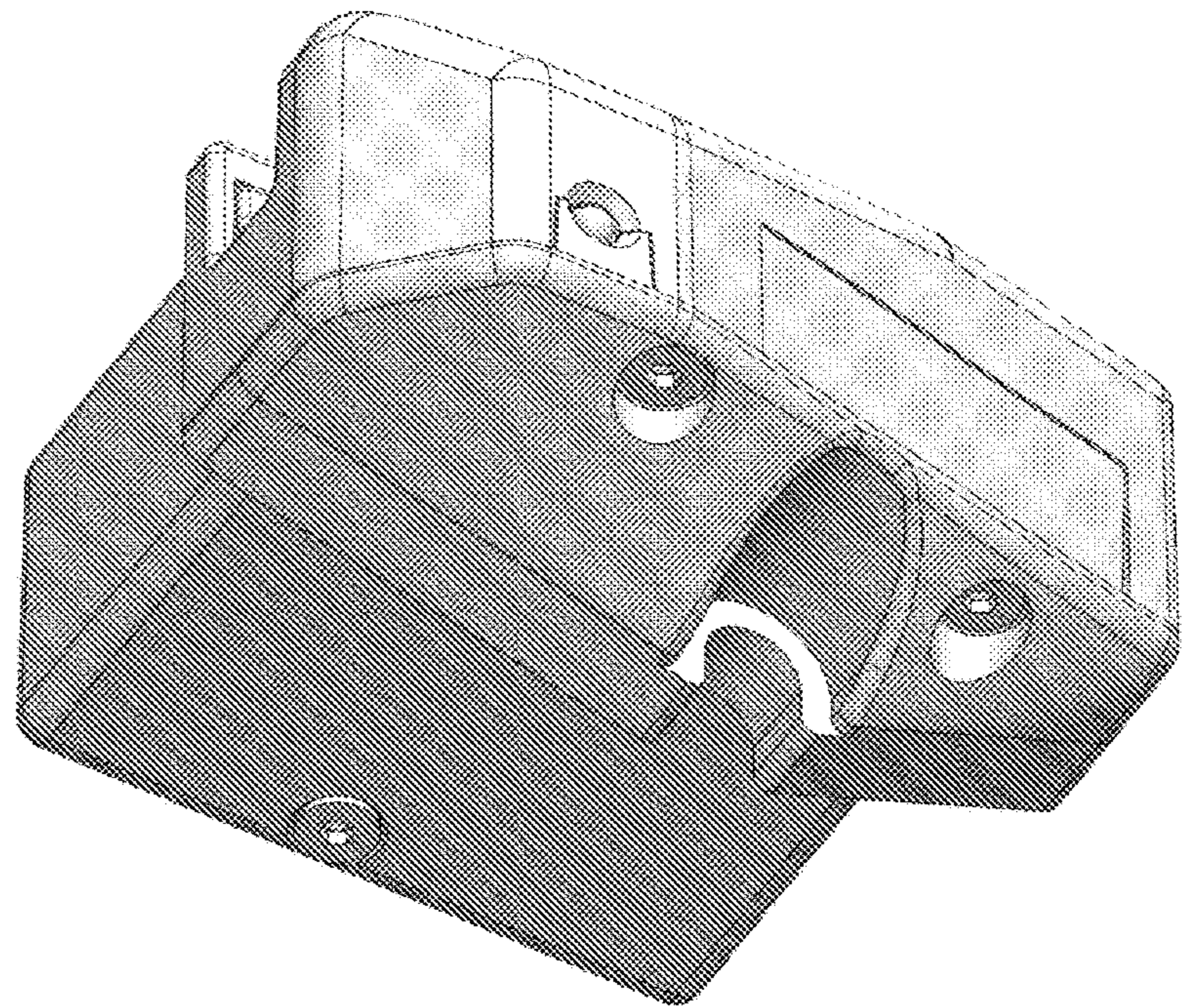
(58) **Field of Classification Search**
USPC D10/46, 83

- 1.1 is a bottom perspective view.
- 1.2 is a front view.
- 1.3 is a back view.
- 1.4 is a top view.
- 1.5 is a bottom view.
- 1.6 is a left side view.
- 1.7 is a right side view.
- 1.8 is a top left perspective view.
- 1.9 is a top right perspective view.
- 1.10 is a bottom right perspective view

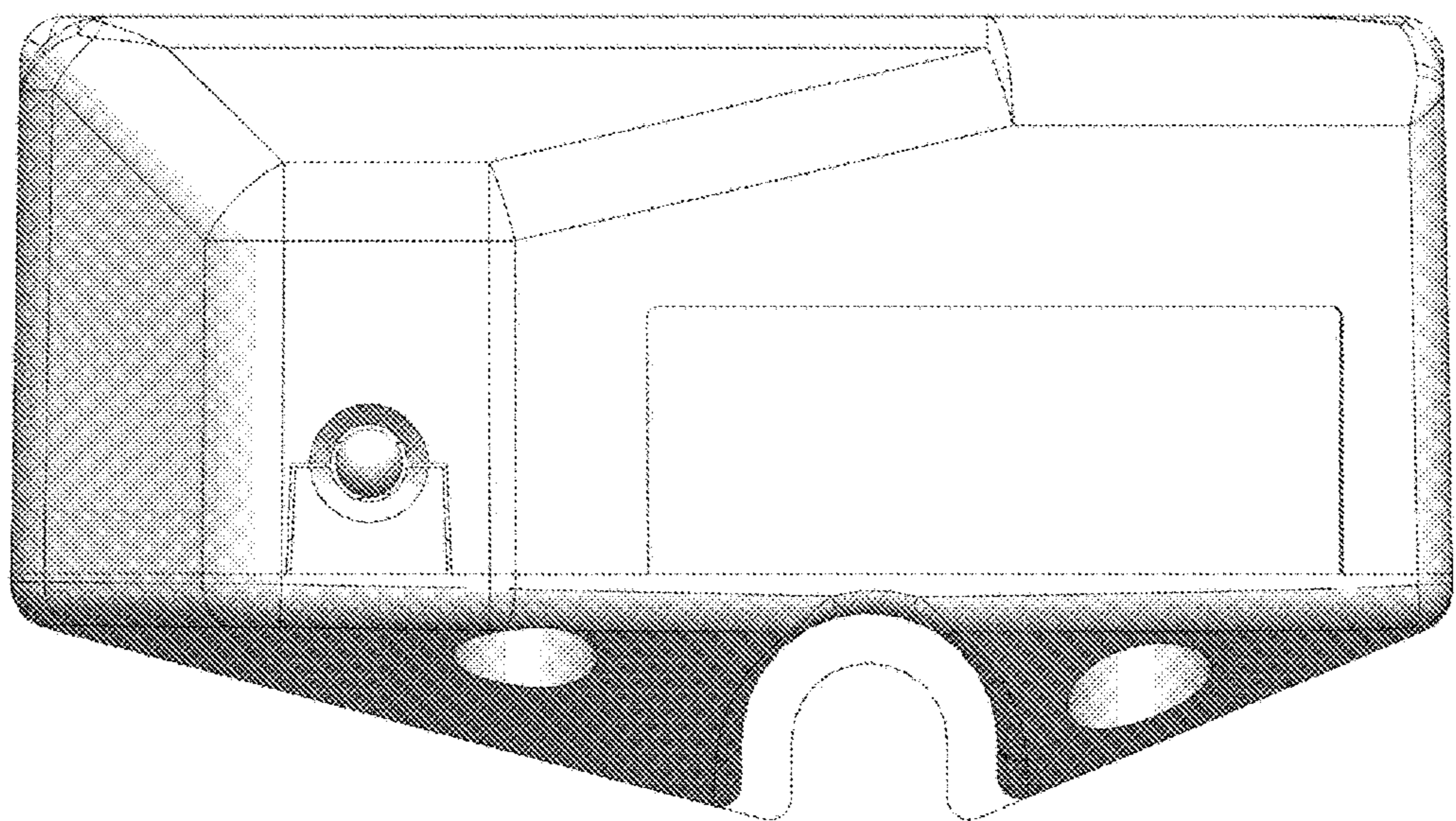
1 Claim, 10 Drawing Sheets



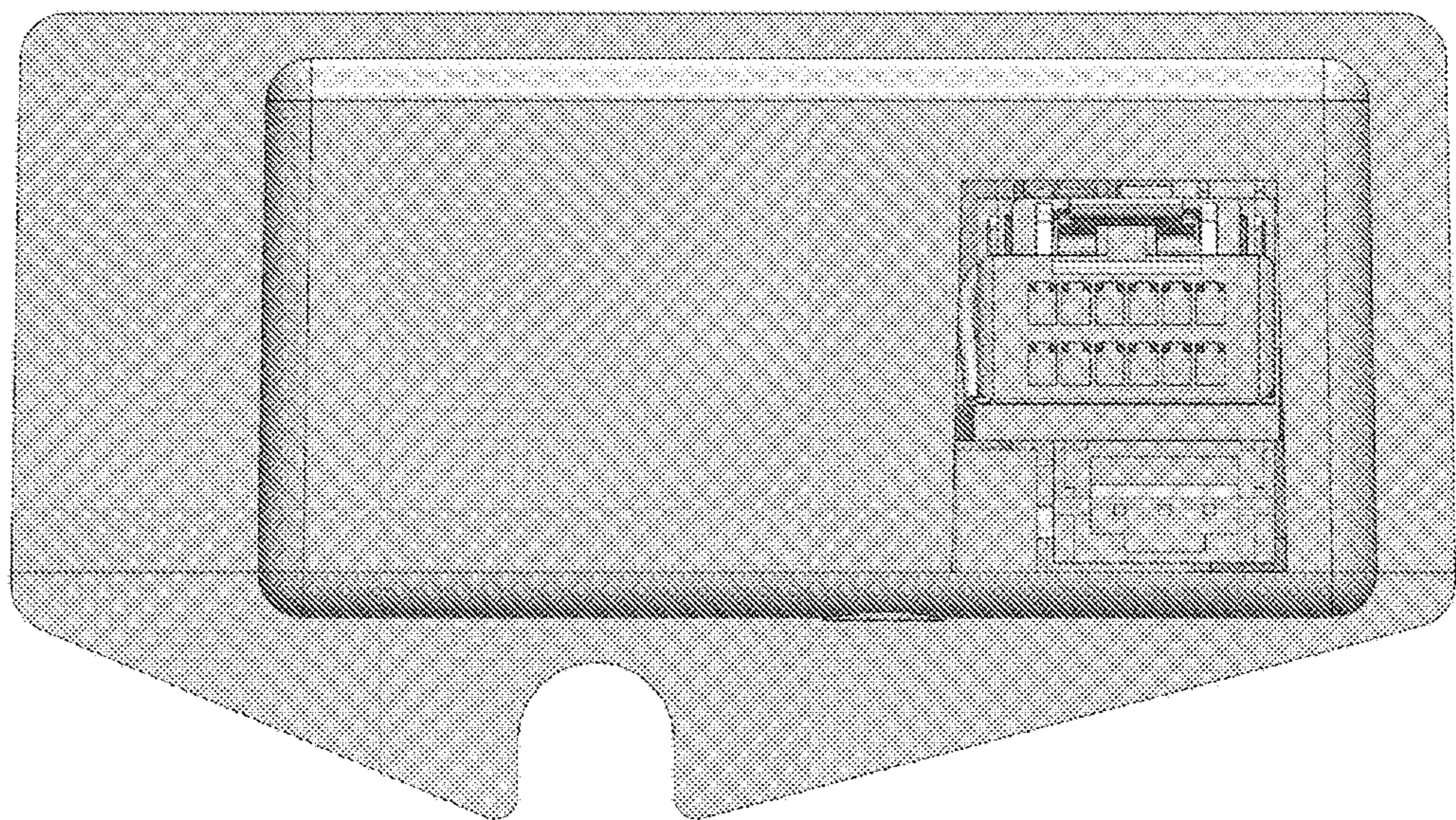
1.1



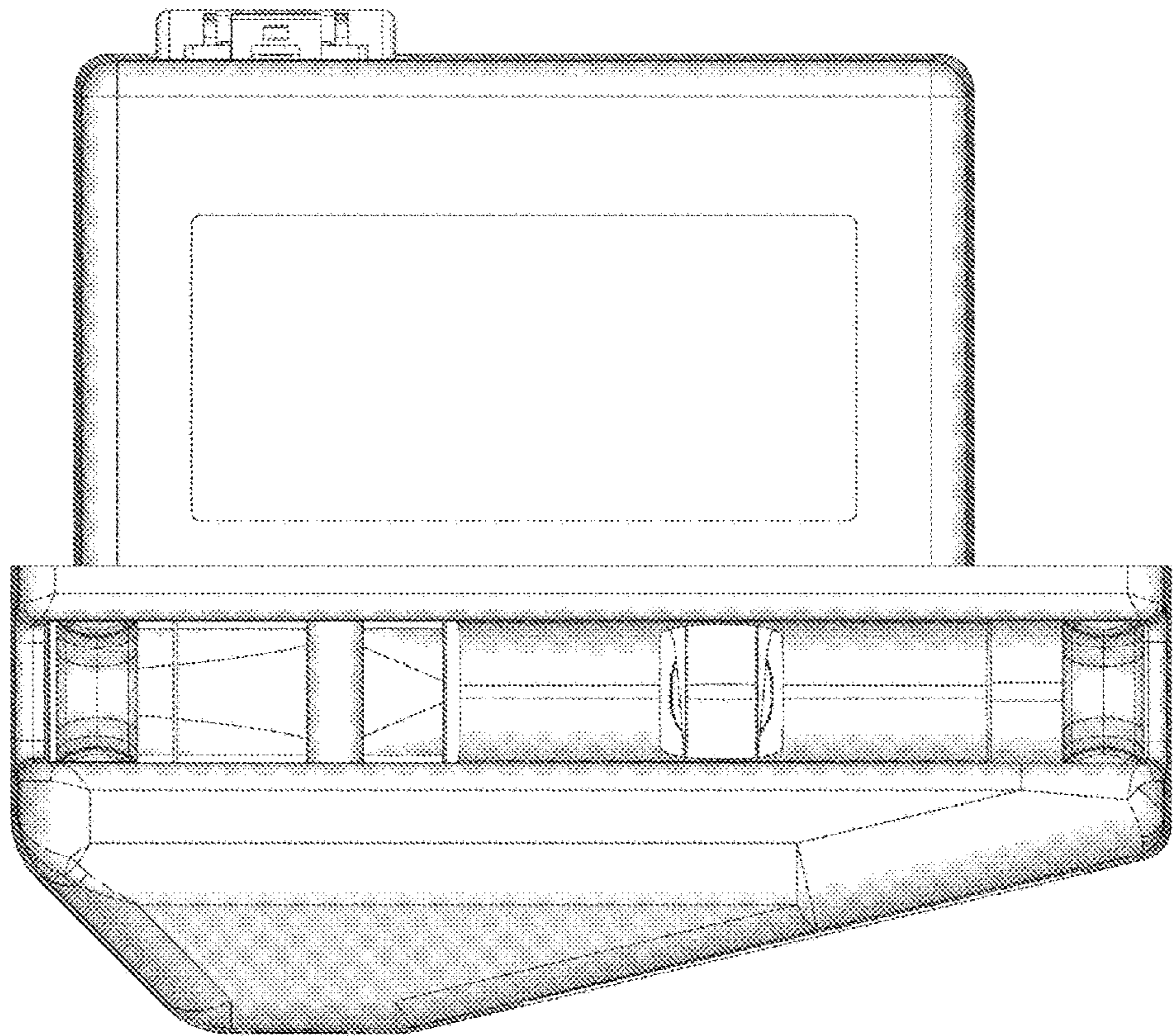
1.2



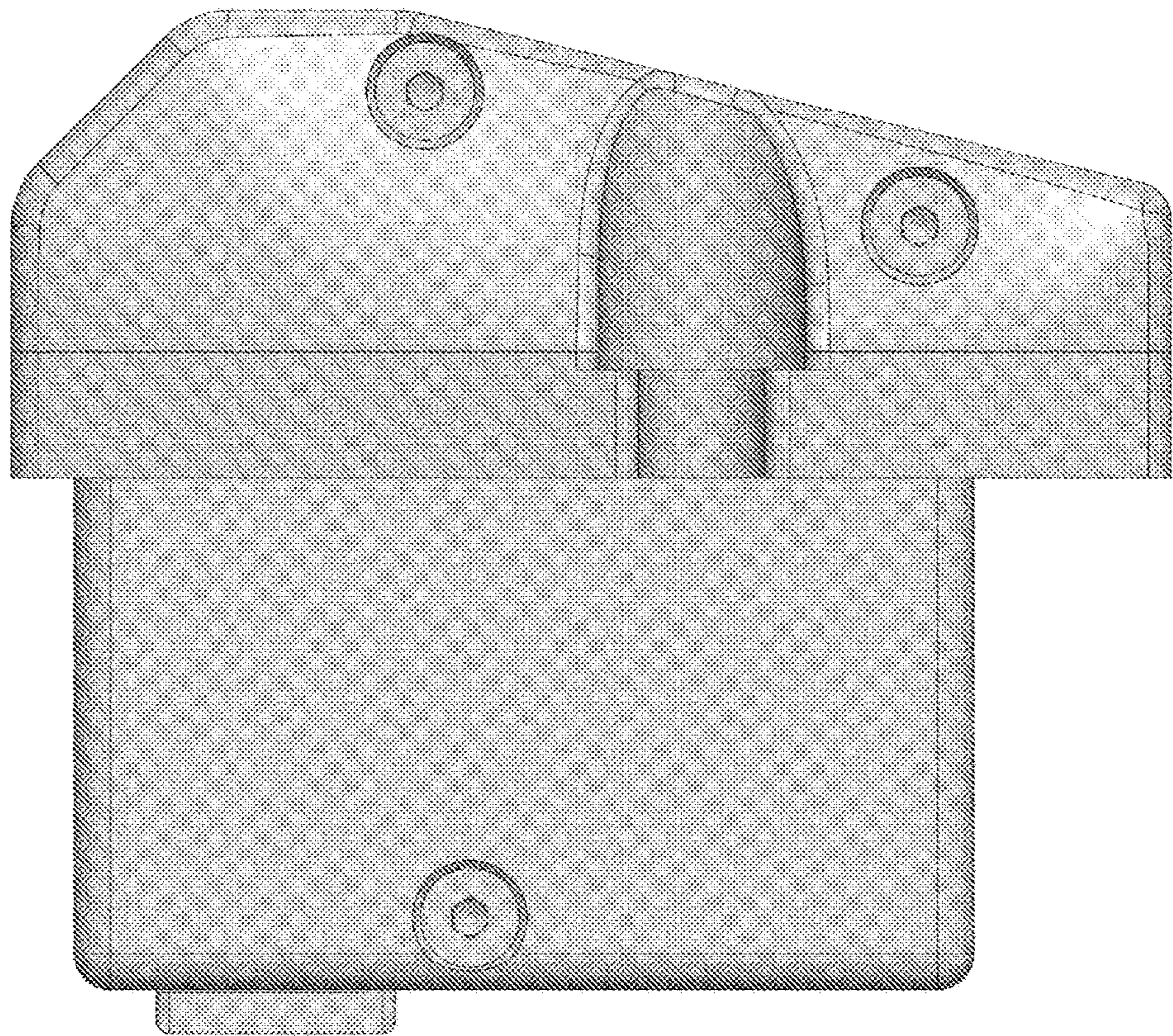
1.3



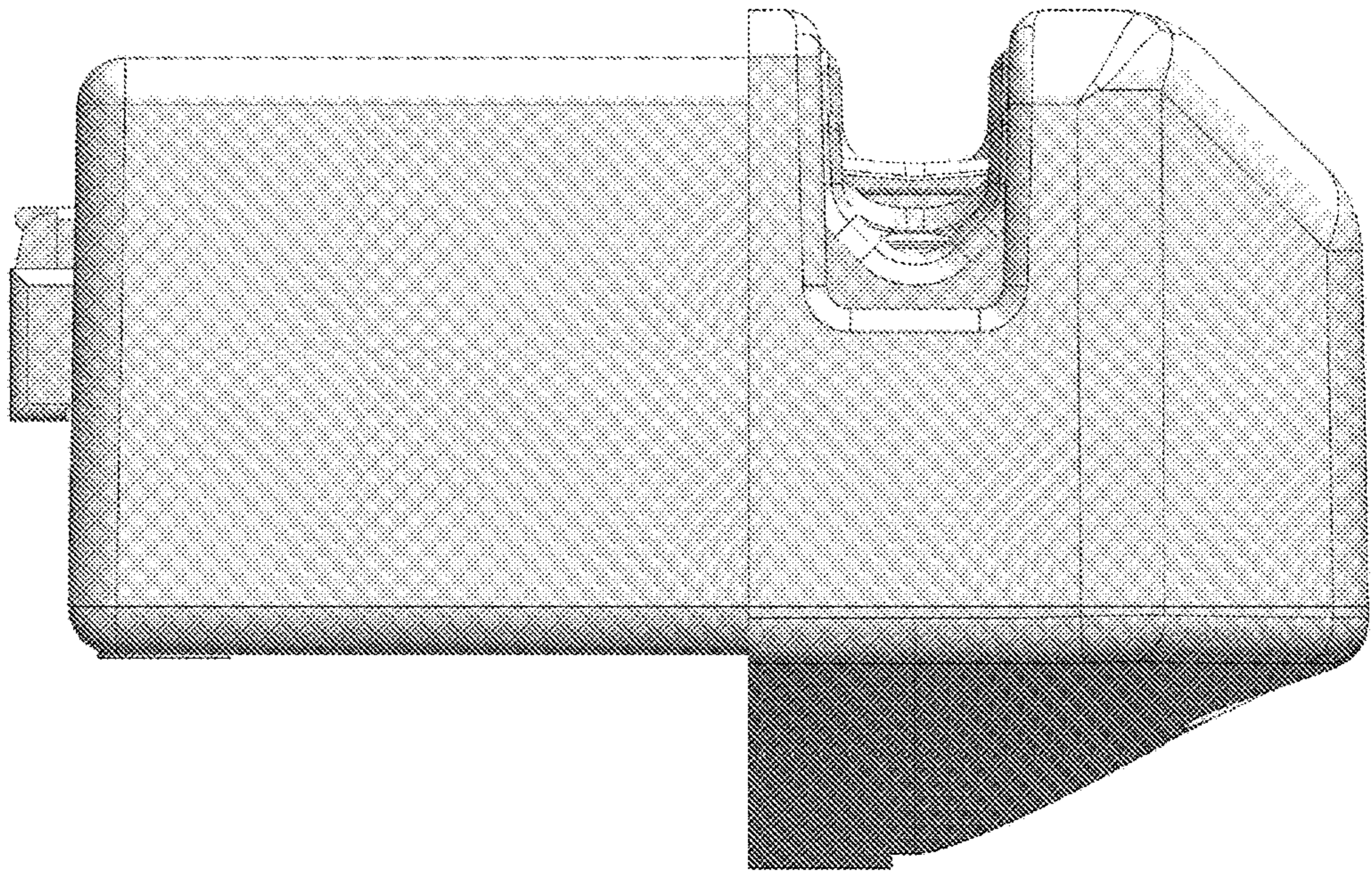
1.4



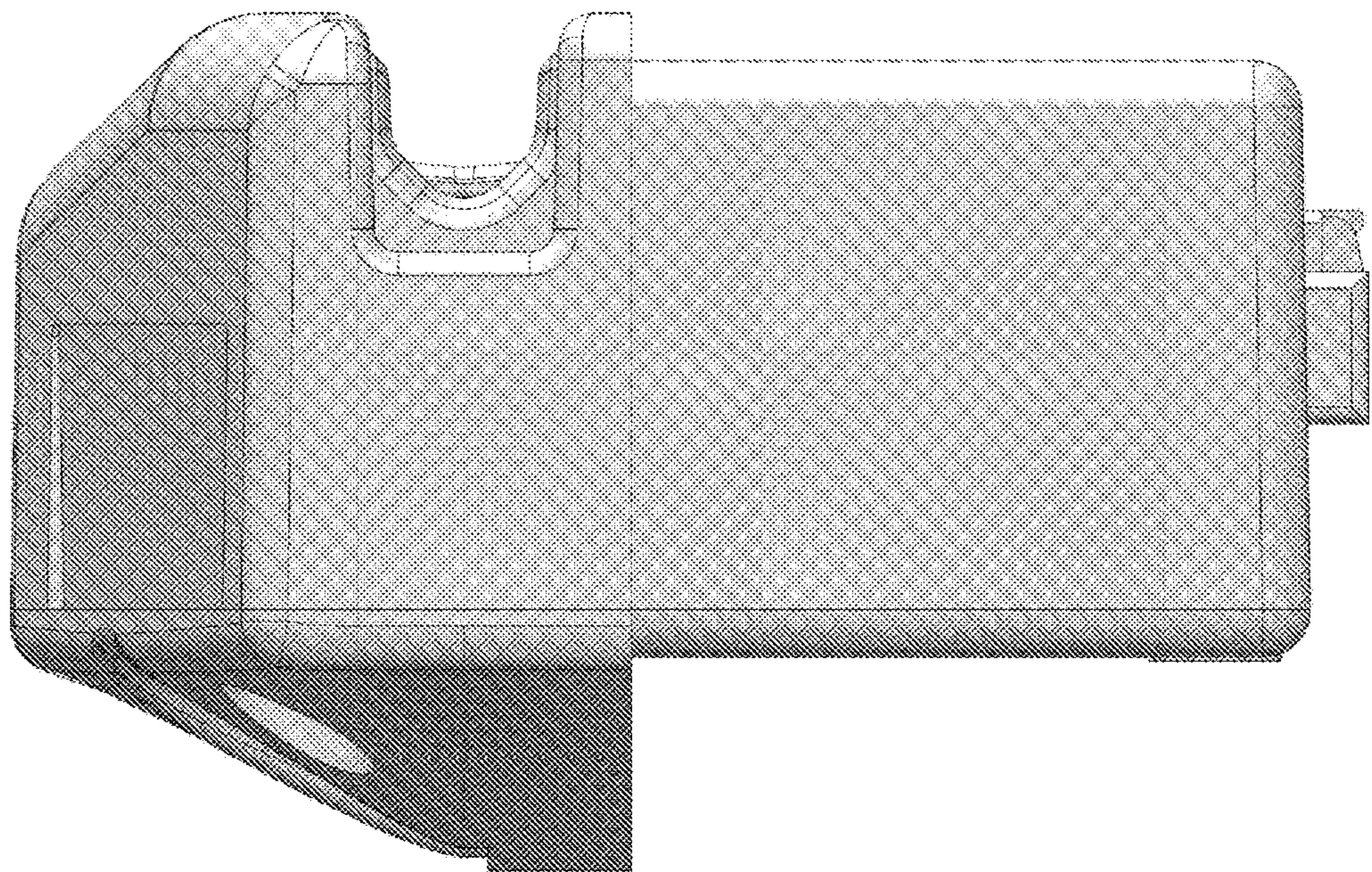
1.5



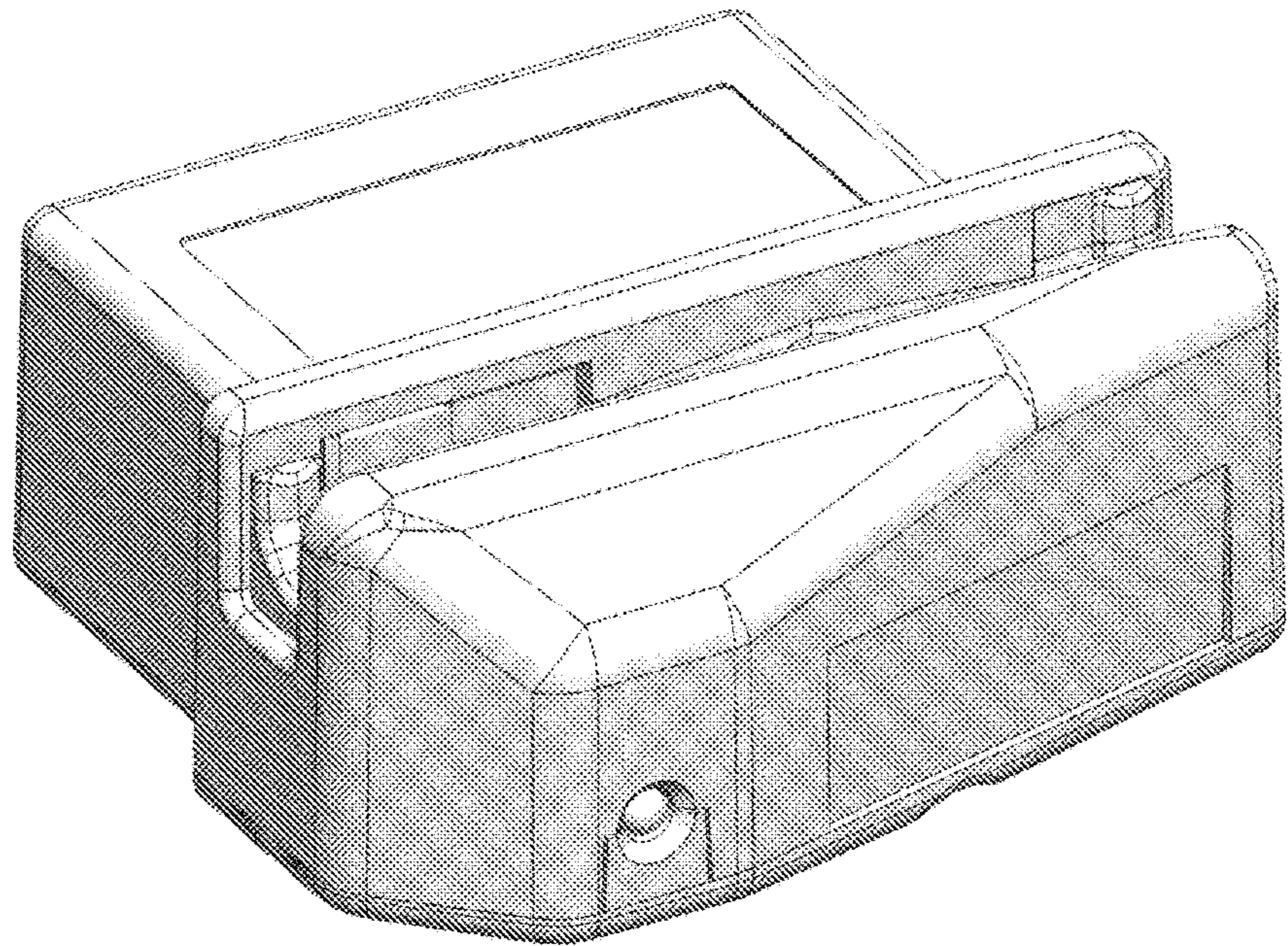
1.6



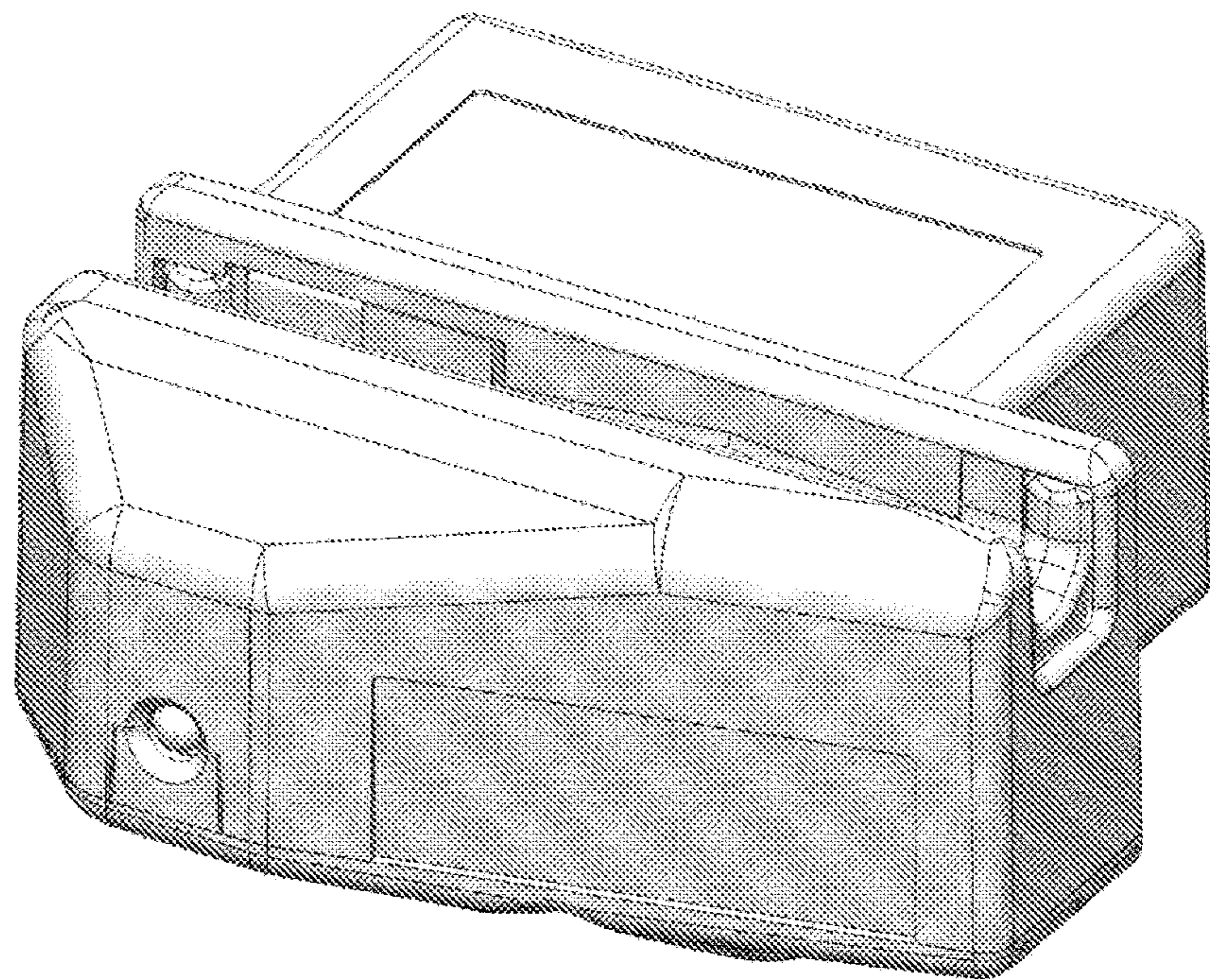
1.7



1.8



1.9



1.10

