



US00D931739S

(12) **United States Design Patent** (10) **Patent No.:** **US D931,739 S**  
**Duport** (45) **Date of Patent:** **\*\* Sep. 28, 2021**

(54) **WRIST WATCH**  
(71) Applicant: **Swarovski Aktiengesellschaft**, Triesen (LI)  
(72) Inventor: **Fabrice Duport**, Neuchatel (CH)  
(73) Assignee: **SWAROVSKI AKTIENGESELLSCHAFT**, Triesen (LI)

D310,335 S \* 9/1990 Wunderman ..... D10/32  
D351,559 S \* 10/1994 Helleu ..... D10/126  
D373,322 S \* 9/1996 Helleu ..... D10/125  
D552,491 S \* 10/2007 Vidal ..... D10/38  
D588,474 S \* 3/2009 Yeager ..... D10/38  
D588,952 S \* 3/2009 Schneider ..... D11/90  
D608,225 S \* 1/2010 Giroud ..... D10/39  
D618,575 S \* 6/2010 Duport ..... D10/126  
D649,189 S \* 11/2011 Maier ..... D19/170  
D650,705 S \* 12/2011 Blank ..... D10/32  
D665,124 S \* 8/2012 Gut ..... D26/154

(Continued)

(\*\*) Term: **15 Years**

**FOREIGN PATENT DOCUMENTS**

(21) Appl. No.: **29/687,878**

EM 006285151 \* 3/2019

(22) Filed: **Apr. 16, 2019**

*Primary Examiner* — Katherine Glennon

(30) **Foreign Application Priority Data**

(74) *Attorney, Agent, or Firm* — Baker & McKenzie LLP

Nov. 23, 2018 (LI) ..... 2018-975

(51) **LOC (13) Cl.** ..... **10-02**

(52) **U.S. Cl.**  
USPC ..... **D10/32**

(58) **Field of Classification Search**

USPC ... D10/30-39, 121-124, 126, 128, 131-132;  
D11/2-7, 14, 16-17, 79-84, 93-94  
CPC ..... G04B 19/00; G04B 19/04; G04B 19/10;  
G04B 19/103; G04B 19/106; G04B  
19/12; G04B 19/223; G04B 19/283;  
G04B 37/00; G04B 37/005; G04B  
37/0041; G04B 39/002; G04B 39/004;  
G04B 39/006; G04B 45/0069; G04B  
45/0076; G04B 37/1486; G04G 19/06;  
A44C 5/00; A44C 5/0007; A44C 5/0053;  
A44C 5/0084; A44C 5/12; A44C 5/14;  
A44C 5/00147

See application file for complete search history.

(56) **References Cited**

**U.S. PATENT DOCUMENTS**

D262,692 S \* 1/1982 Kurowsky ..... D10/39  
D265,552 S \* 7/1982 Dumas-Hermes ..... D10/39

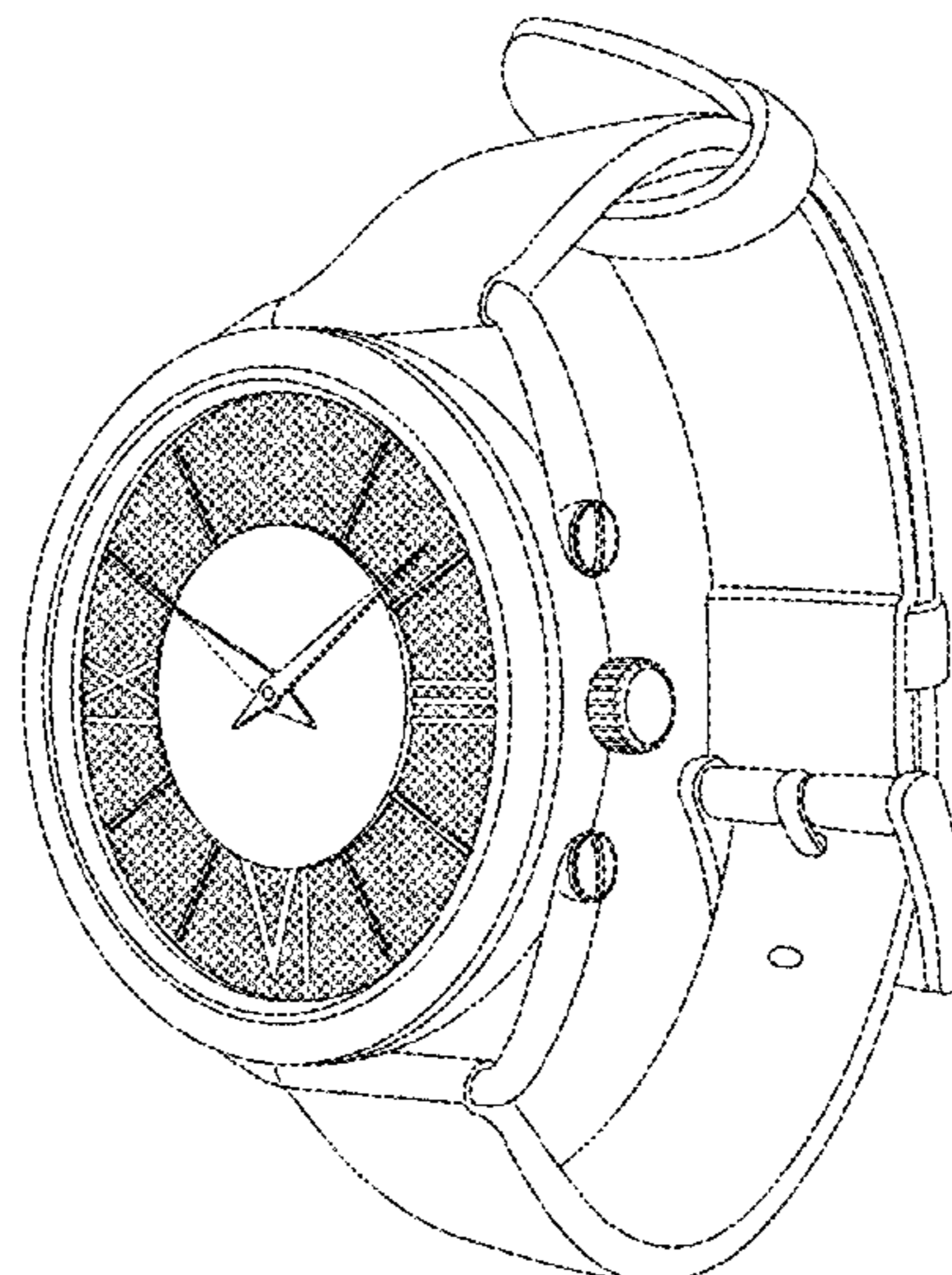
(57) **CLAIM**

The ornamental design for a wrist watch, as shown and described.

**DESCRIPTION**

FIG. 1 is a perspective view of a wrist watch in accordance with my design;  
FIG. 2 is a top view of a wrist watch in accordance with my design;  
FIG. 3 is a bottom view of a wrist watch in accordance with my design;  
FIG. 4 is a left view of a wrist watch in accordance with my design;  
FIG. 5 is a right view of a wrist watch in accordance with my design;  
FIG. 6 is a front elevational view of a wrist watch in accordance with my design;  
FIG. 7 is a back elevational view of a wrist watch in accordance with my design; and,  
FIG. 8 is a detail view of the portion indicated in FIG. 2. Portions of the article shown in broken lines form no part of the claimed design.

**1 Claim, 8 Drawing Sheets**



(56)

**References Cited**

U.S. PATENT DOCUMENTS

D671,430	S	*	11/2012	Jamin	.....	D10/39
D677,177	S	*	3/2013	Nashimoto	.....	D10/39
D701,778	S	*	4/2014	Duport	.....	D10/32
D720,630	S	*	1/2015	Nashimoto	.....	D10/32
D741,215	S	*	10/2015	Loinger	.....	D11/90
D746,157	S	*	12/2015	Babcock	.....	D10/30
D758,885	S	*	6/2016	Yoshida	.....	D10/30
D769,146	S	*	10/2016	Firth	.....	D10/128
D771,506	S	*	11/2016	Basargin	.....	D10/32
D772,982	S	*	11/2016	Nuzzo	.....	D19/174
D779,976	S	*	2/2017	Galli	.....	D10/38
D781,171	S	*	3/2017	Akana	.....	D11/3
D801,845	S	*	11/2017	Blootacker	.....	D10/126
D807,762	S	*	1/2018	Sugiura	.....	D10/30
D854,945	S	*	7/2019	Dumas	.....	D10/32
D858,313	S	*	9/2019	Berneron	.....	D10/30
D861,504	S	*	10/2019	Nashimoto	.....	D10/32
D861,505	S	*	10/2019	Nashimoto	.....	D10/32

\* cited by examiner

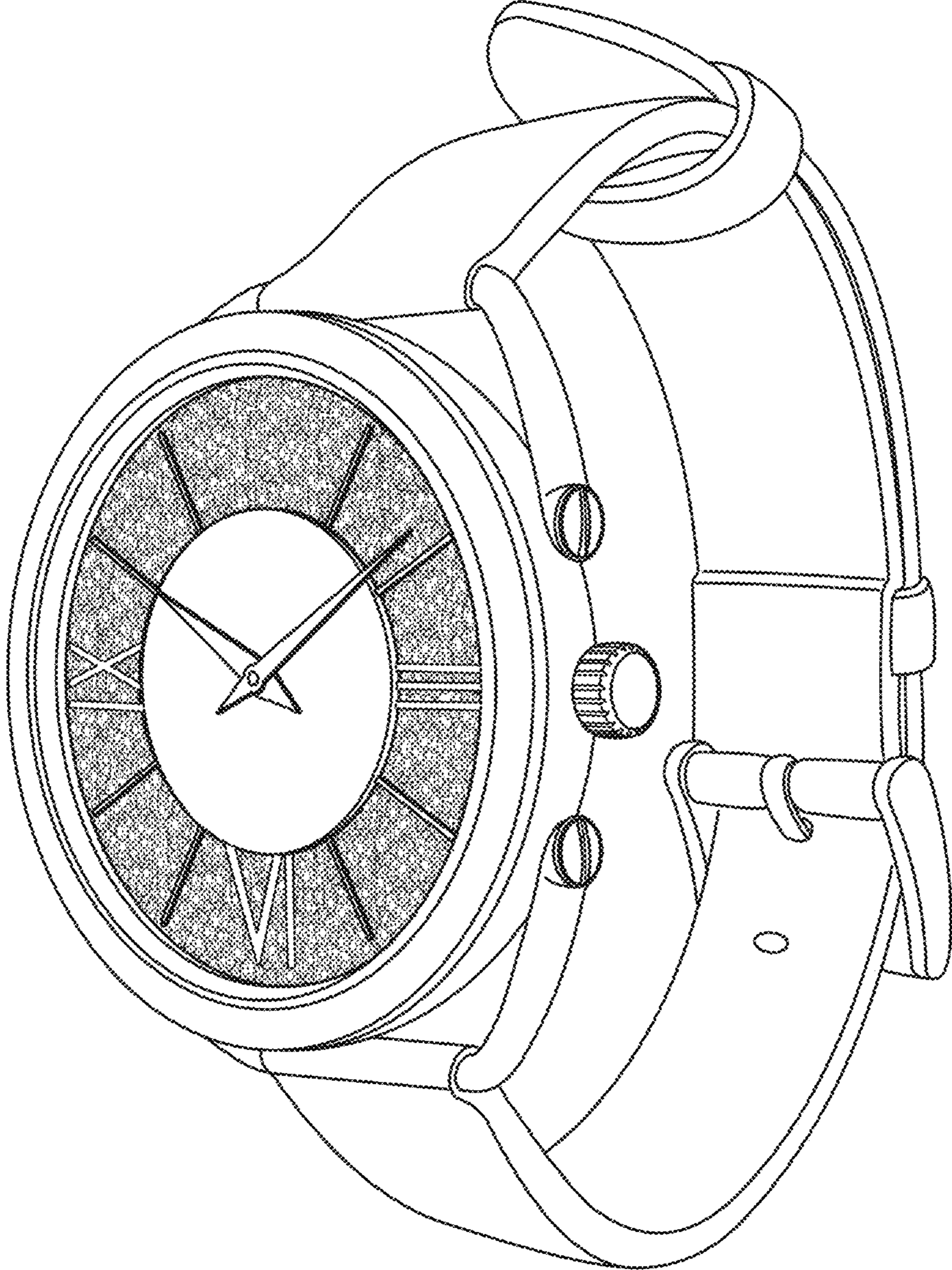


FIG. 1



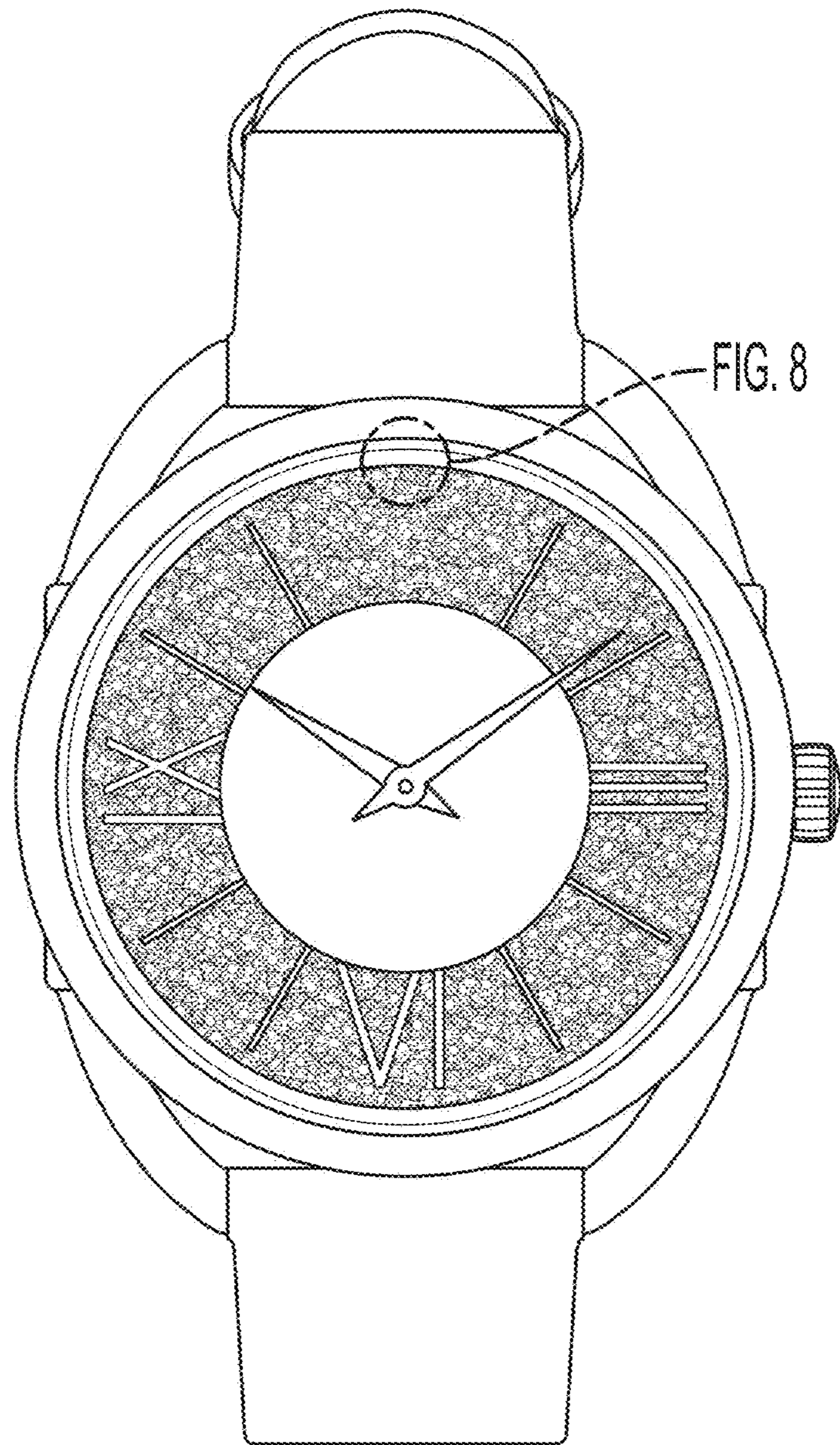


FIG. 2

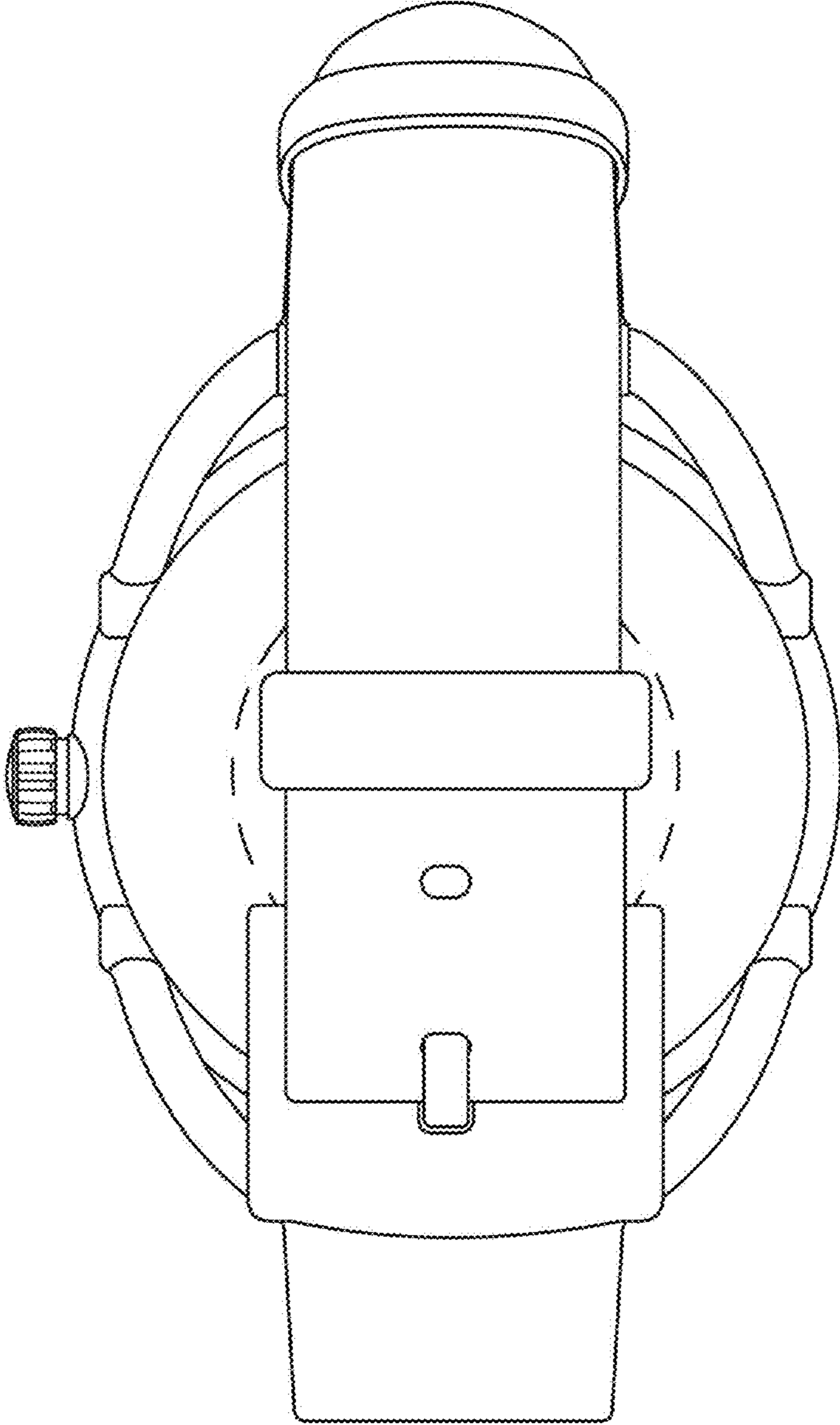


FIG. 3

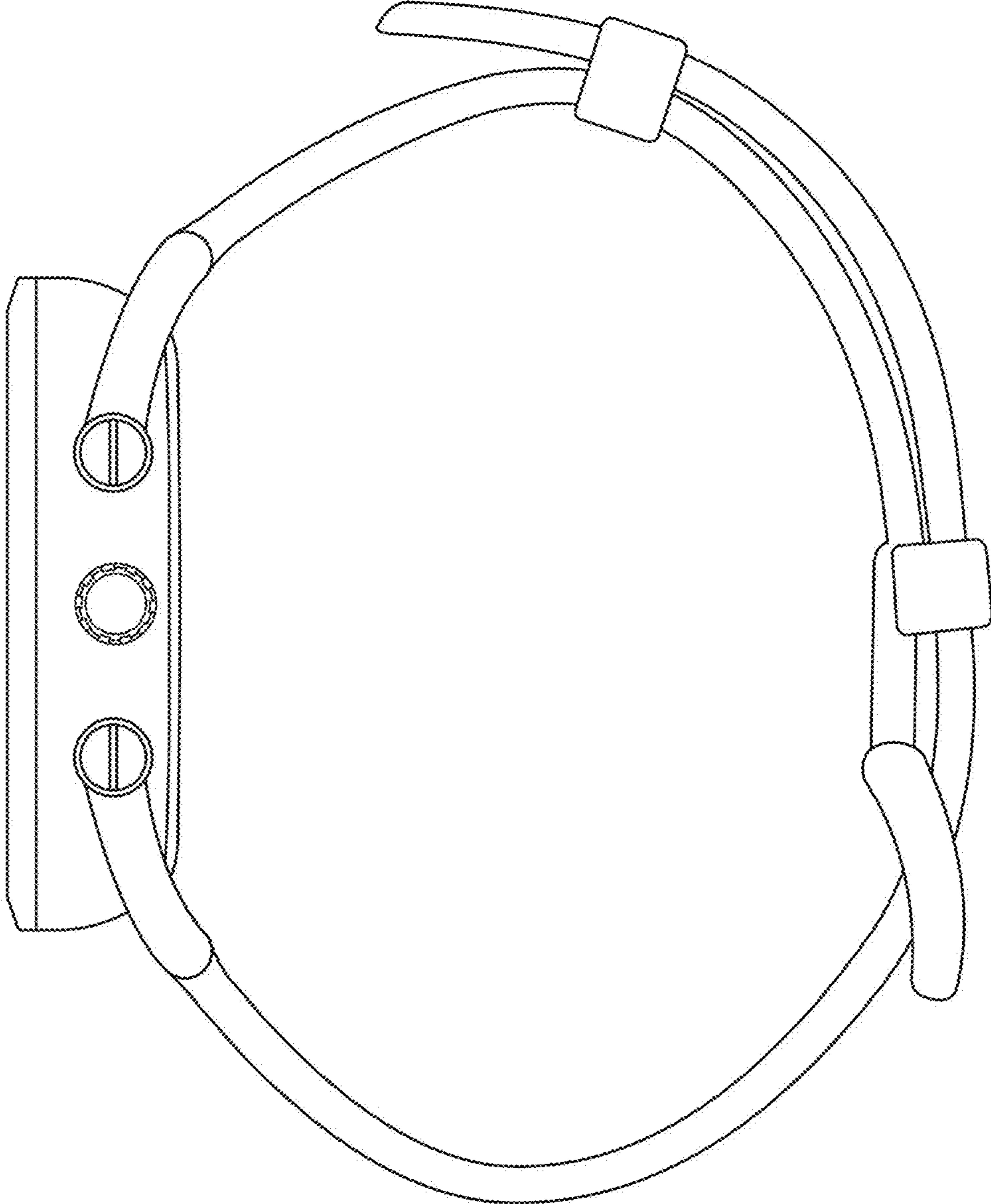


FIG. 4

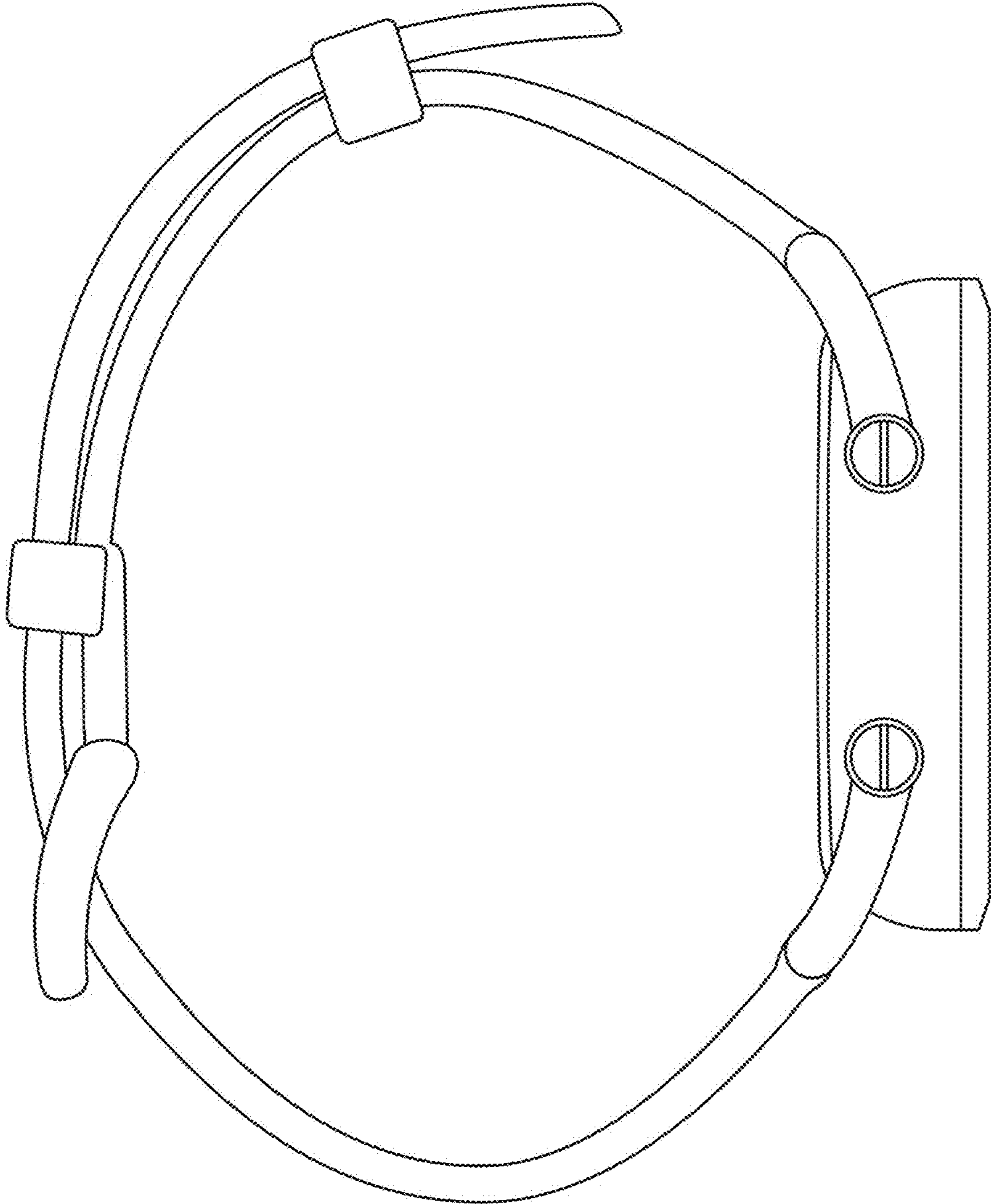


FIG. 5

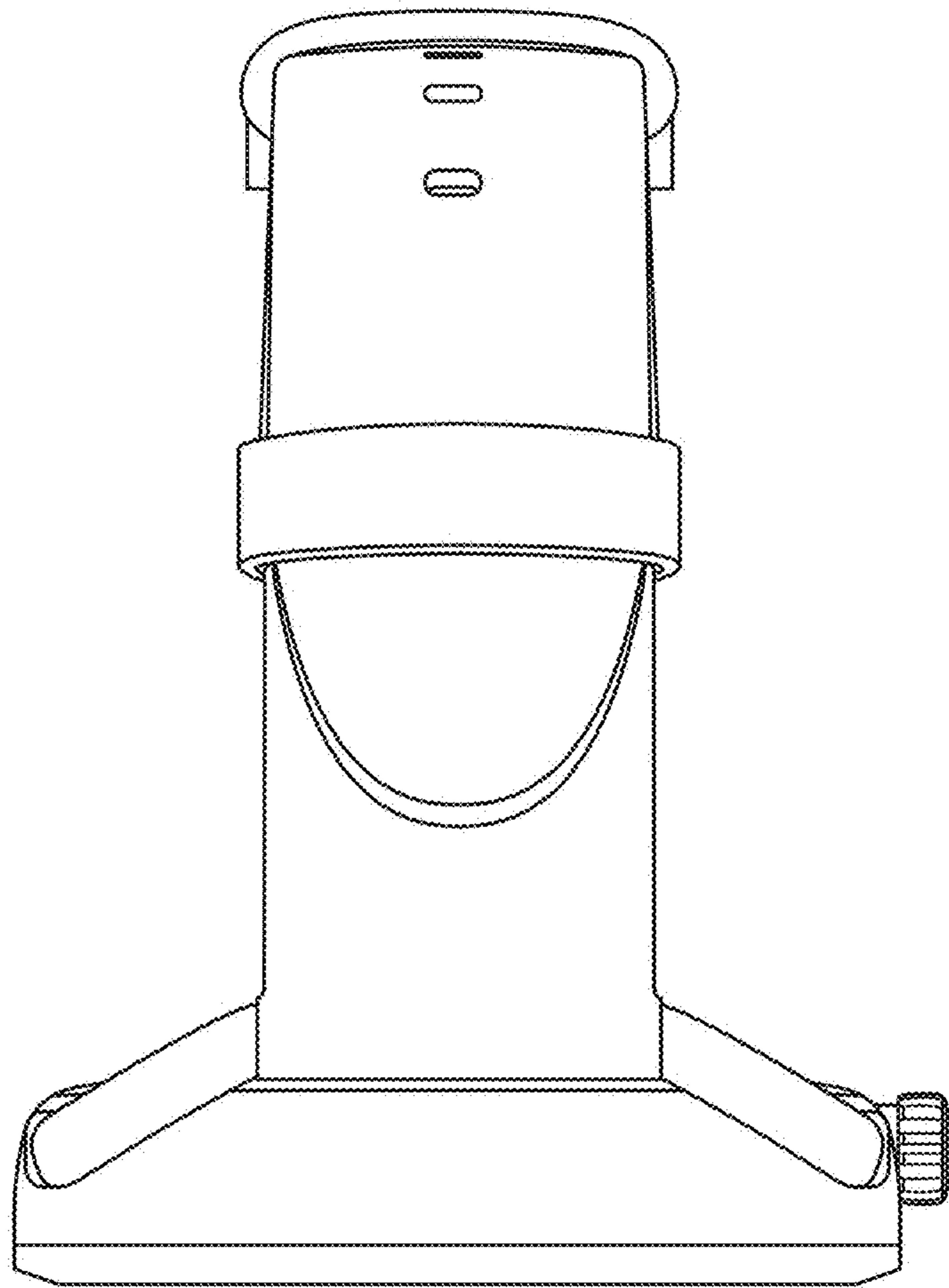


FIG. 6



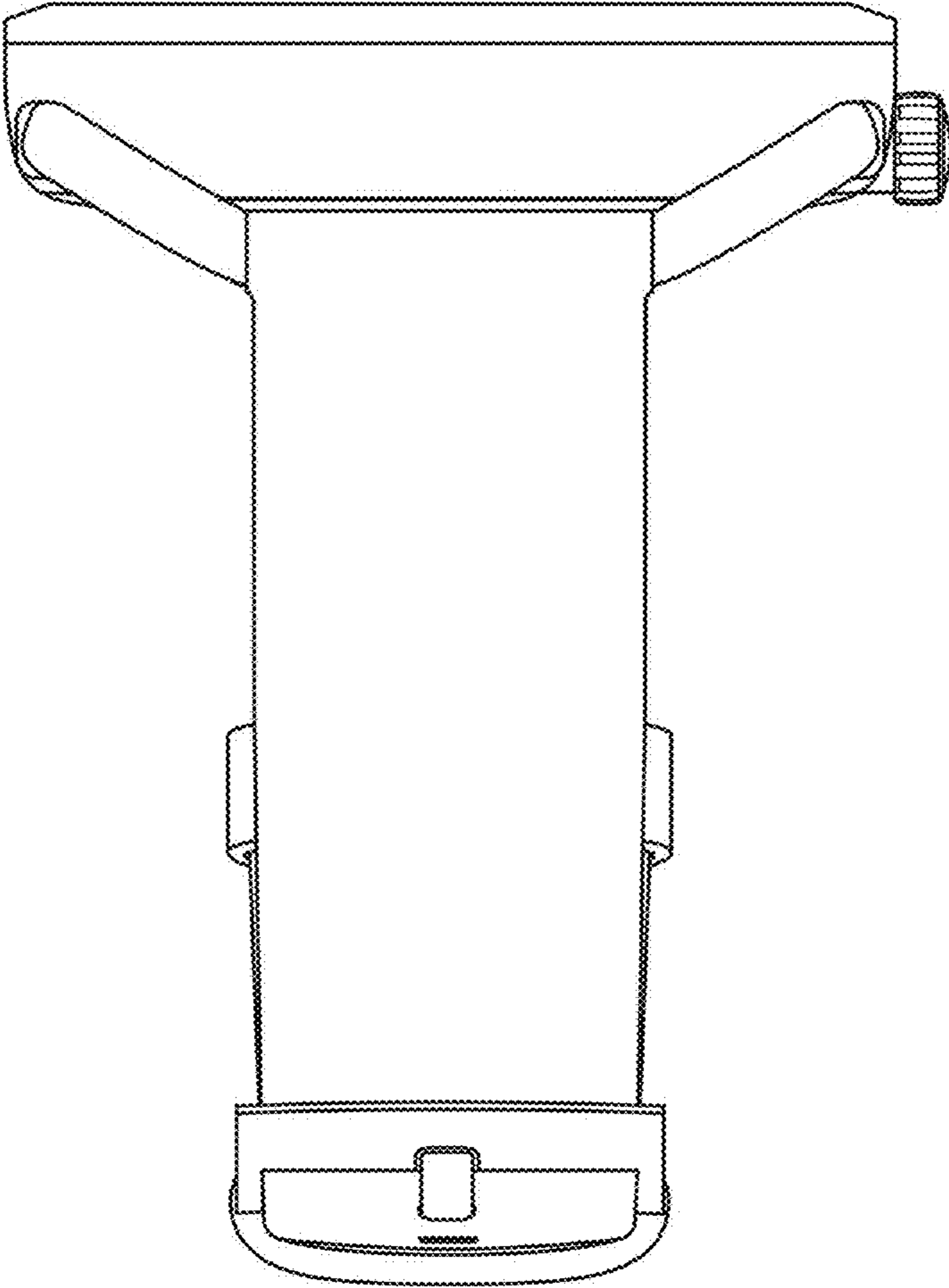


FIG. 7

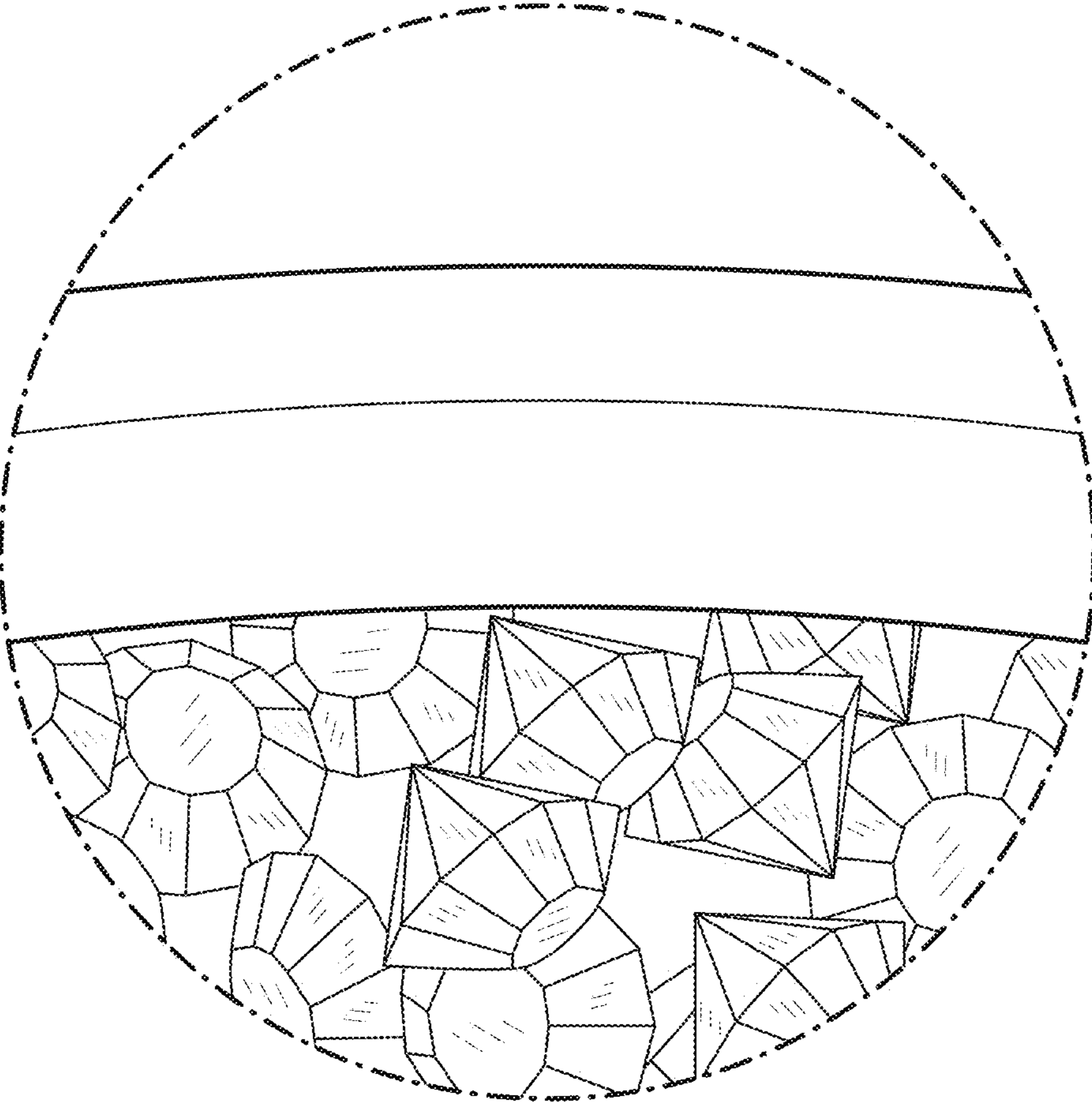


FIG. 8