



US00D931738S

(12) **United States Design Patent** (10) **Patent No.:** **US D931,738 S**
Riedel (45) **Date of Patent:** **** Sep. 28, 2021**

(54) **CONTAINER**

- (71) Applicant: **TARGET BRANDS, INC.**,
Minneapolis, MN (US)
- (72) Inventor: **Richard P. Riedel**, Blaine, MN (US)
- (73) Assignee: **TARGET BRANDS, INC.**,
Minneapolis, MN (US)
- (**) Term: **15 Years**
- (21) Appl. No.: **29/771,337**
- (22) Filed: **Feb. 22, 2021**

Related U.S. Application Data

- (63) Continuation of application No. 29/708,342, filed on Oct. 4, 2019, now Pat. No. Des. 912,530.
- (51) **LOC (13) Cl.** **09-03**
- (52) **U.S. Cl.**
USPC **D9/737; D9/425**
- (58) **Field of Classification Search**
USPC D9/414-416, 418, 420-425, 430-432,
D9/434, 435, 456; D7/601, 602, 610,
D7/614, 701, 703, 629, 550.1, 553.1,
D7/553.2, 553.3, 553.7, 554.3, 554.4,
D7/555, 557; D3/273, 201, 206, 294,
D3/295, 304, 313

(Continued)

(56) **References Cited**

U.S. PATENT DOCUMENTS

- 3,692,175 A 9/1972 Hordler
 - 3,695,419 A 10/1972 Packert et al.
- (Continued)

FOREIGN PATENT DOCUMENTS

WO 2005068318 A1 7/2005

OTHER PUBLICATIONS

“Single Cake Slice Box”, printed from www.homeshopcatalogue.co.uk/catalogue/single-cake-slice-pack-p-79201.html?osCsid=rg9fclorsqks7uui96e72jbq2, publicly available at least as early as Mar. 30, 2018 (3 pages).

(Continued)

Primary Examiner — W. A. Teddy Falloway

(74) *Attorney, Agent, or Firm* — JoAnn M. Seaton;
Griffiths & Seaton PLLC

(57) **CLAIM**

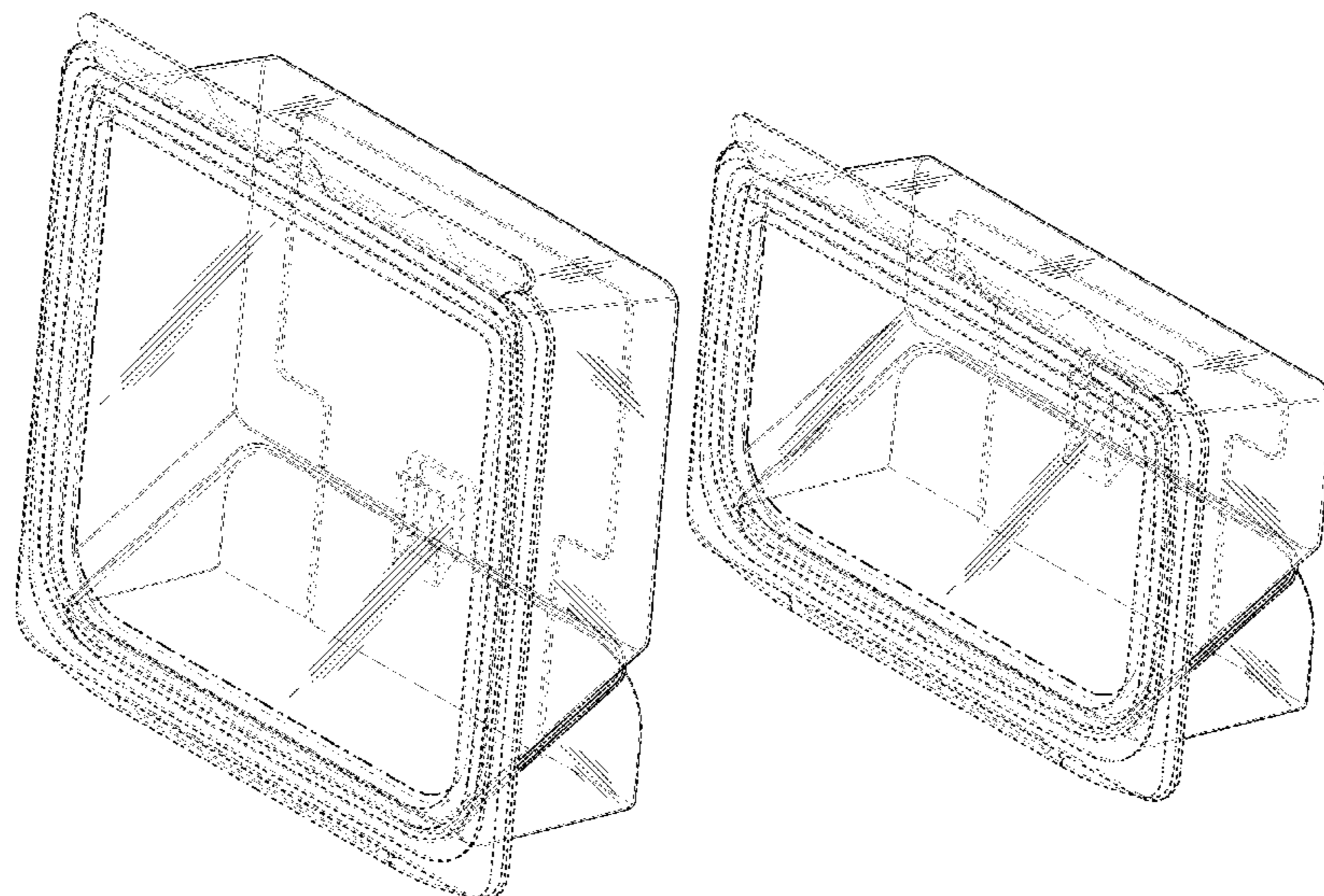
The ornamental design for a container, as shown and described.

DESCRIPTION

FIG. 1 is a front perspective view of a container showing one embodiment of our new design;
 FIG. 2 is a rear perspective view thereof;
 FIG. 3 is a front view thereof;
 FIG. 4 is a rear view thereof;
 FIG. 5 is a right side view thereof; the left side view being a mirror image of the right side view;
 FIG. 6 is a top view thereof; and
 FIG. 7 is a bottom view thereof.
 FIG. 8 is a front perspective view of a container showing one embodiment of our new design;
 FIG. 9 is a rear perspective view thereof;
 FIG. 10 is a front view thereof;
 FIG. 11 is a rear view thereof;
 FIG. 12 is a right side view thereof; the left side view being a mirror image of the right side view;
 FIG. 13 is a top view thereof; and,
 FIG. 14 is a bottom view thereof.

In the drawings, the broken lines depict subject matter forming no part of the claimed design. The bolded long dash-short dash broken lines indicated the bounds of the claimed design and otherwise form no part of the claimed design.

1 Claim, 11 Drawing Sheets



(58) **Field of Classification Search**
 CPC B65D 85/34; B65D 85/345; B65D 43/161;
 B65D 43/162; B65D 43/16; B65D 51/28;
 B65D 2543/00194; B65D 1/24; B65D
 21/0237; B65D 2543/00101; B65D
 2543/00351; B65D 1/36; B65D 25/04;
 B65D 2543/00555; B65D 2581/3425;
 B65D 43/0218; B65D 2543/00083; B65D
 2543/00268; B65D 2543/00277; B65D
 81/3453; A47G 19/02; A47G 19/065;
 A47G 23/06

See application file for complete search history.

(56) **References Cited**

U.S. PATENT DOCUMENTS

3,933,296	A	1/1976	Ruskin et al.
D267,394	S	12/1982	Liptak et al.
4,930,627	A	6/1990	Borst et al.
5,038,936	A	8/1991	Borst
D334,141	S	3/1993	Gottofredi
D533,075	S	12/2006	Snedden et al.
D549,574	S	8/2007	Watson et al.
D577,579	S	9/2008	Lynn et al.
D600,111	S	9/2009	Gerulski et al.
D640,550	S	6/2011	Snedden et al.
D646,969	S	10/2011	Snedden et al.
D658,979	S	5/2012	Gordon et al.
D664,425	S	7/2012	Krupa

8,215,485	B2	7/2012	Maroofian et al.
8,360,262	B2	1/2013	Vovan
D688,552	S	8/2013	Vernon et al.
D692,297	S	10/2013	Wintolders et al.
8,584,884	B2	11/2013	Learn et al.
D700,840	S	3/2014	Vernon et al.
D708,941	S	7/2014	Das
D837,646	S	1/2019	Mazzuca et al.
D837,647	S	1/2019	Tamshe et al.
D859,975	S	9/2019	Brown
D869,271	S	12/2019	Troudt et al.
D876,217	S	2/2020	Nouri et al.
D893,292	S	8/2020	Lam
D899,920	S	10/2020	Smith et al.
D912,530	S *	3/2021	Riedel D9/737
2006/0237454	A1	10/2006	Clarke
2010/0155402	A1	6/2010	Maroofian et al.
2012/0111754	A1	5/2012	Domerchie et al.
2016/0096663	A1	4/2016	Lotfi et al.
2017/0036805	A1	2/2017	Lotfi et al.
2017/0275059	A1	9/2017	Lotfi
2019/0144187	A1	5/2019	Hartman et al.
2021/0039844	A1 *	2/2021	Lotfi B65D 81/3216
2021/0101718	A1 *	4/2021	Riedel B65D 25/04

OTHER PUBLICATIONS

U.S. Appl. No. 16/593,753, Riedel, Richard P., filed Oct. 4, 2019 (37 pages).

* cited by examiner

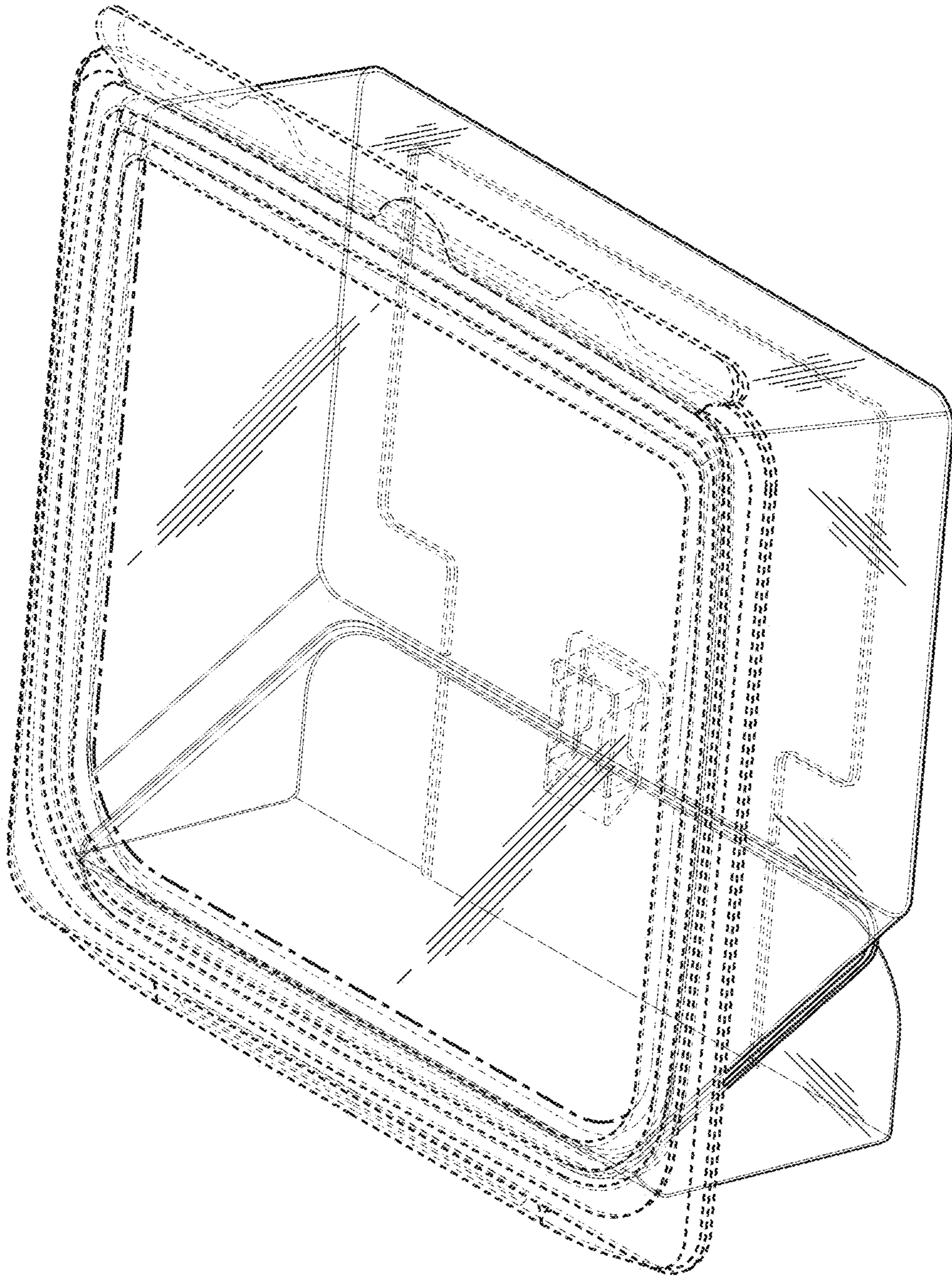


FIG. 1

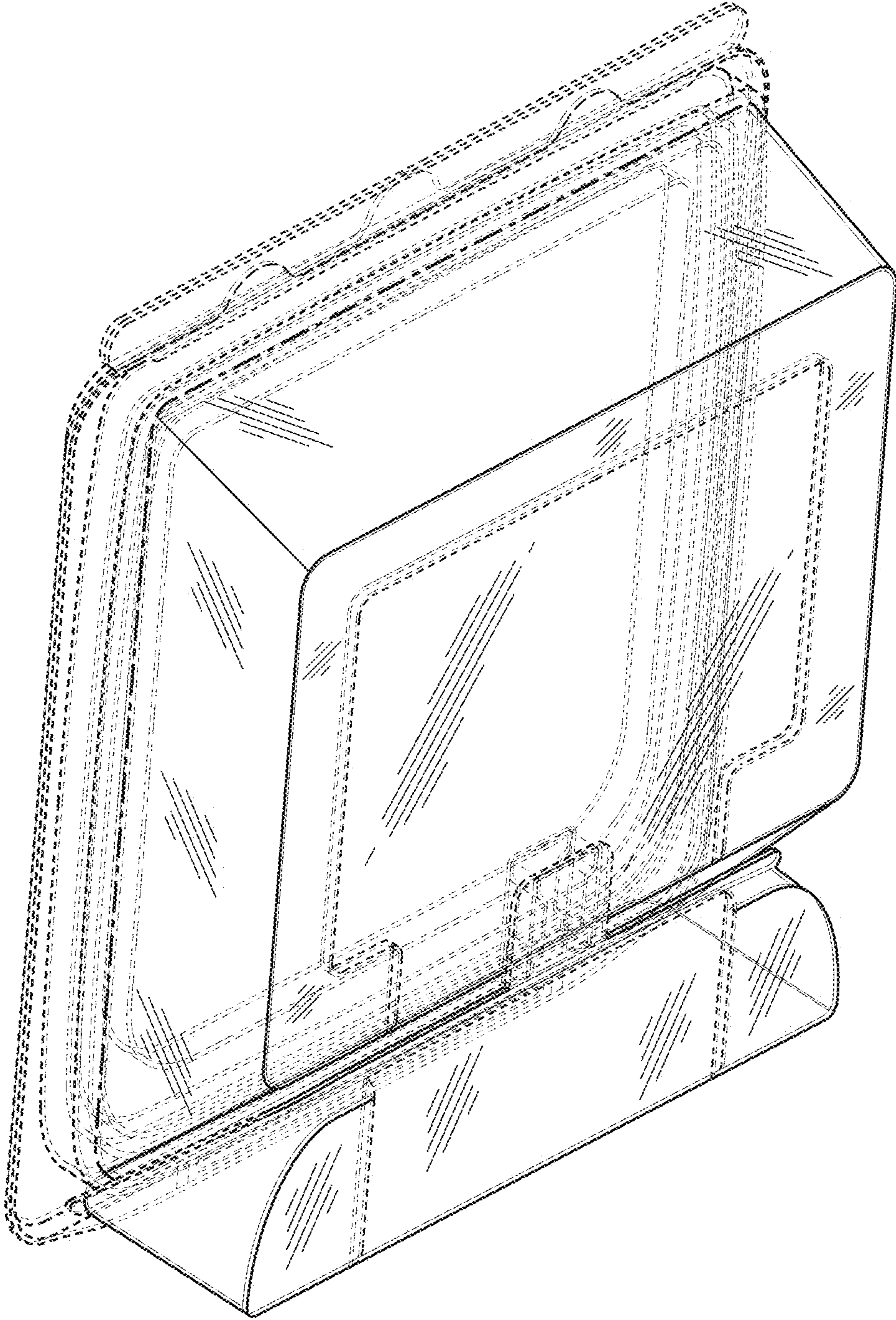


FIG. 2

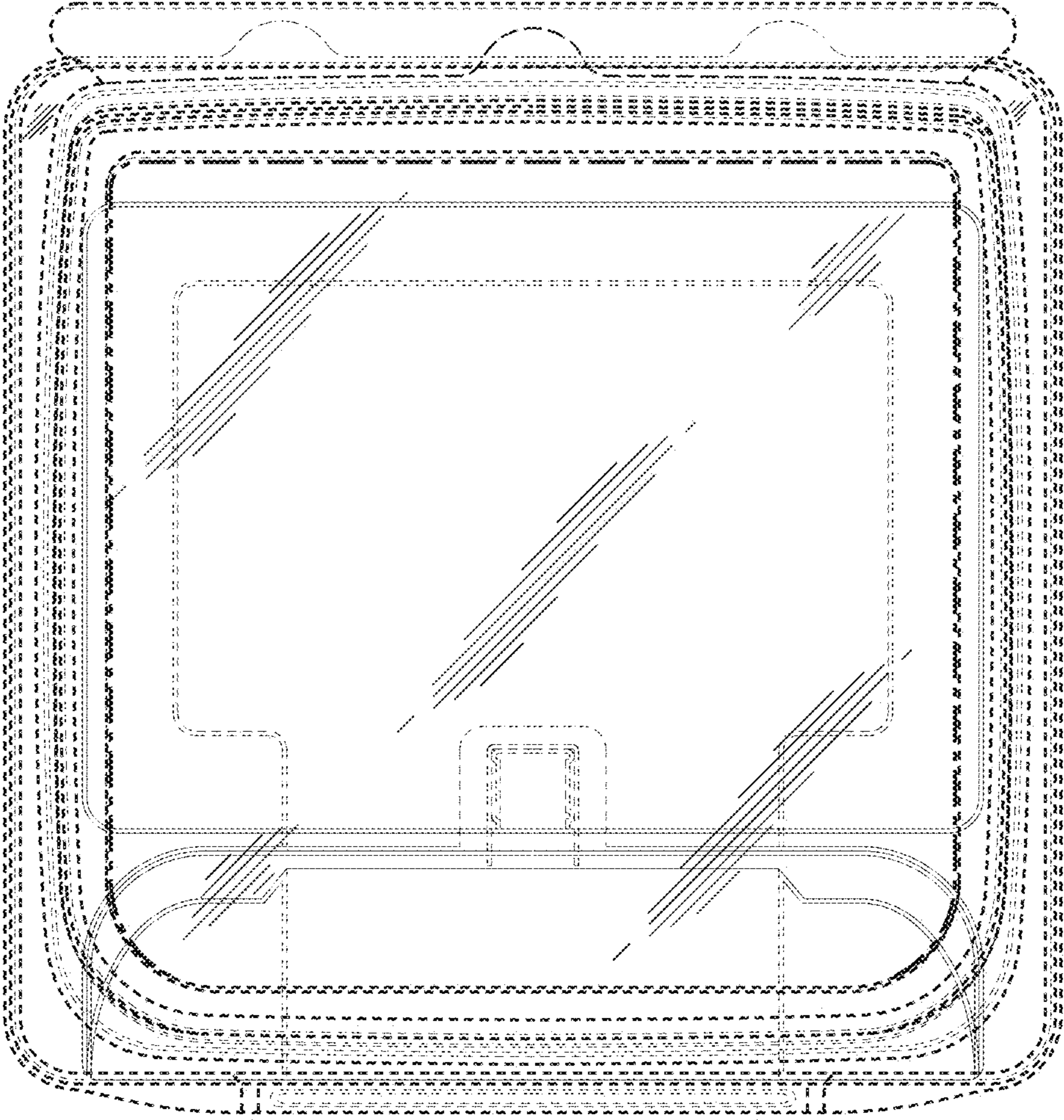


FIG. 3

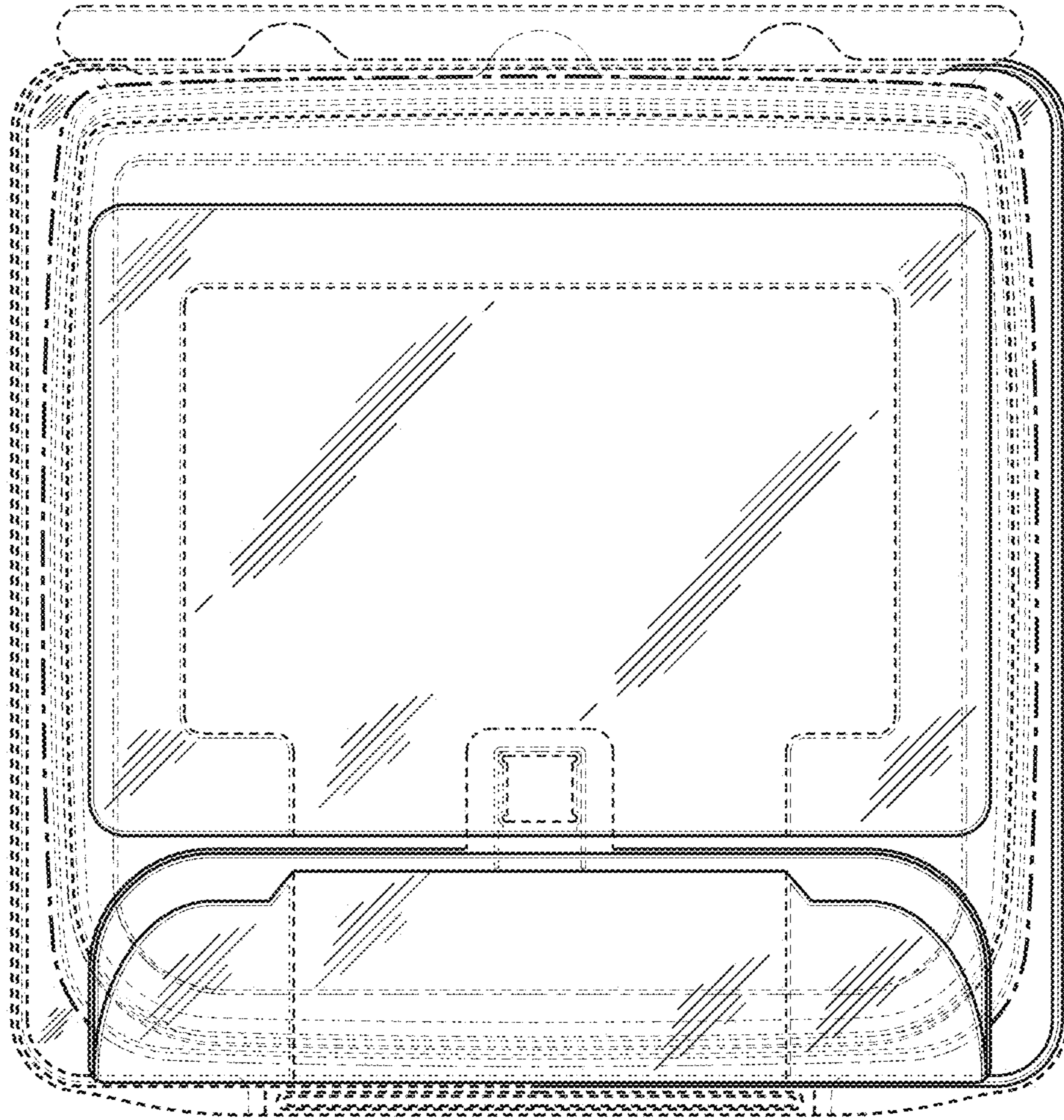


FIG. 4

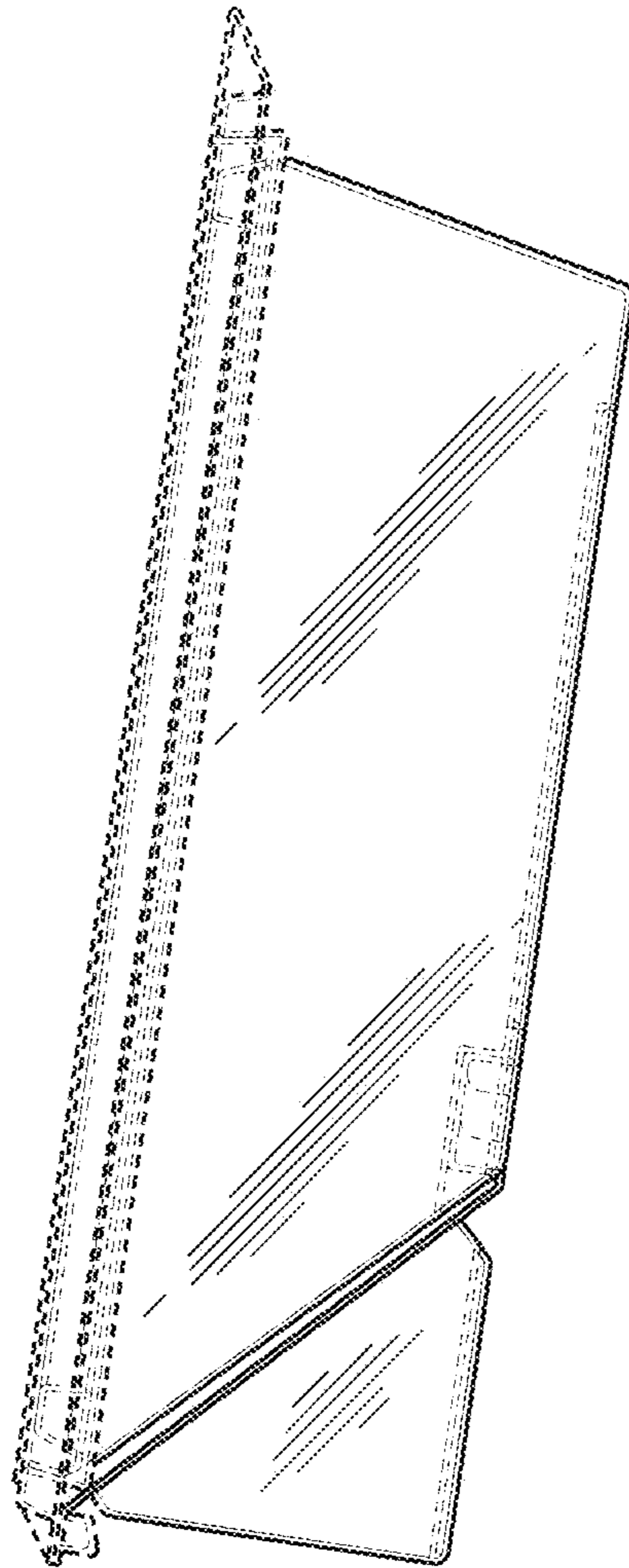


FIG. 5

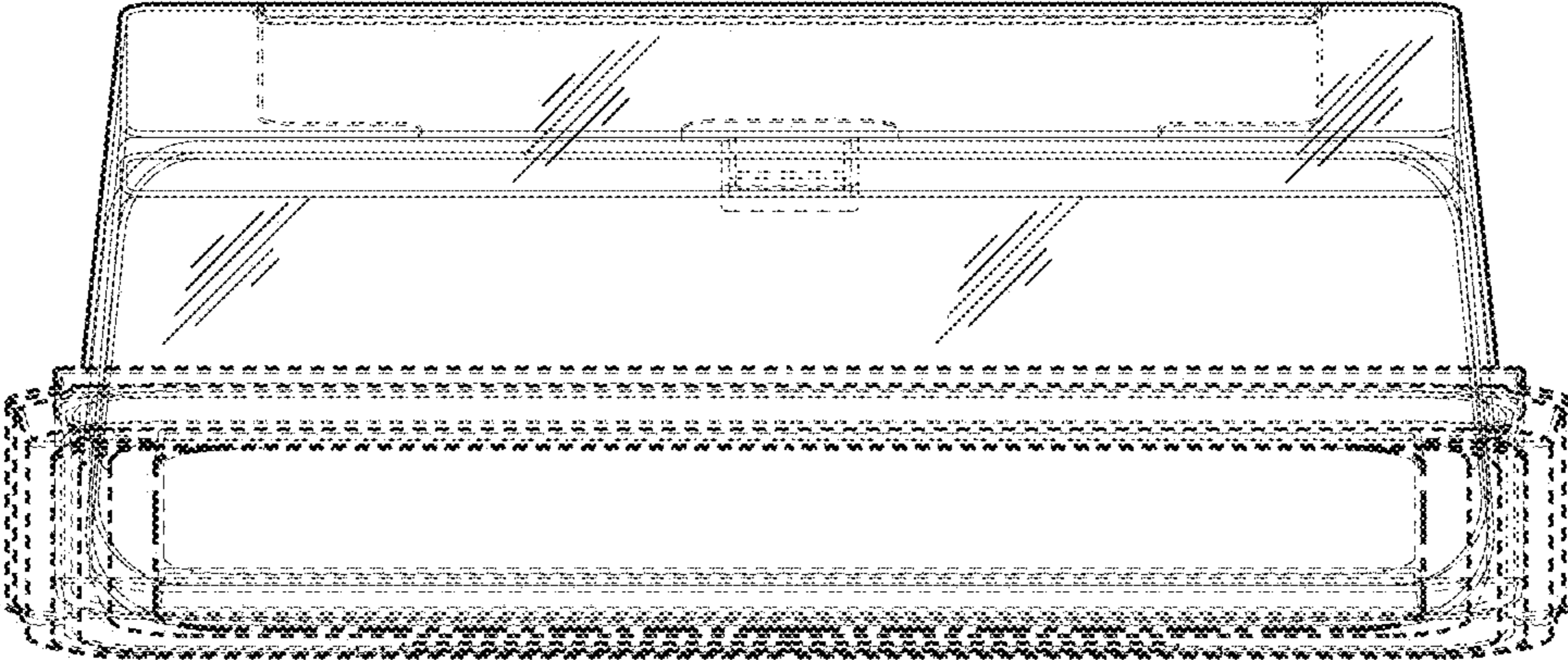


FIG. 6

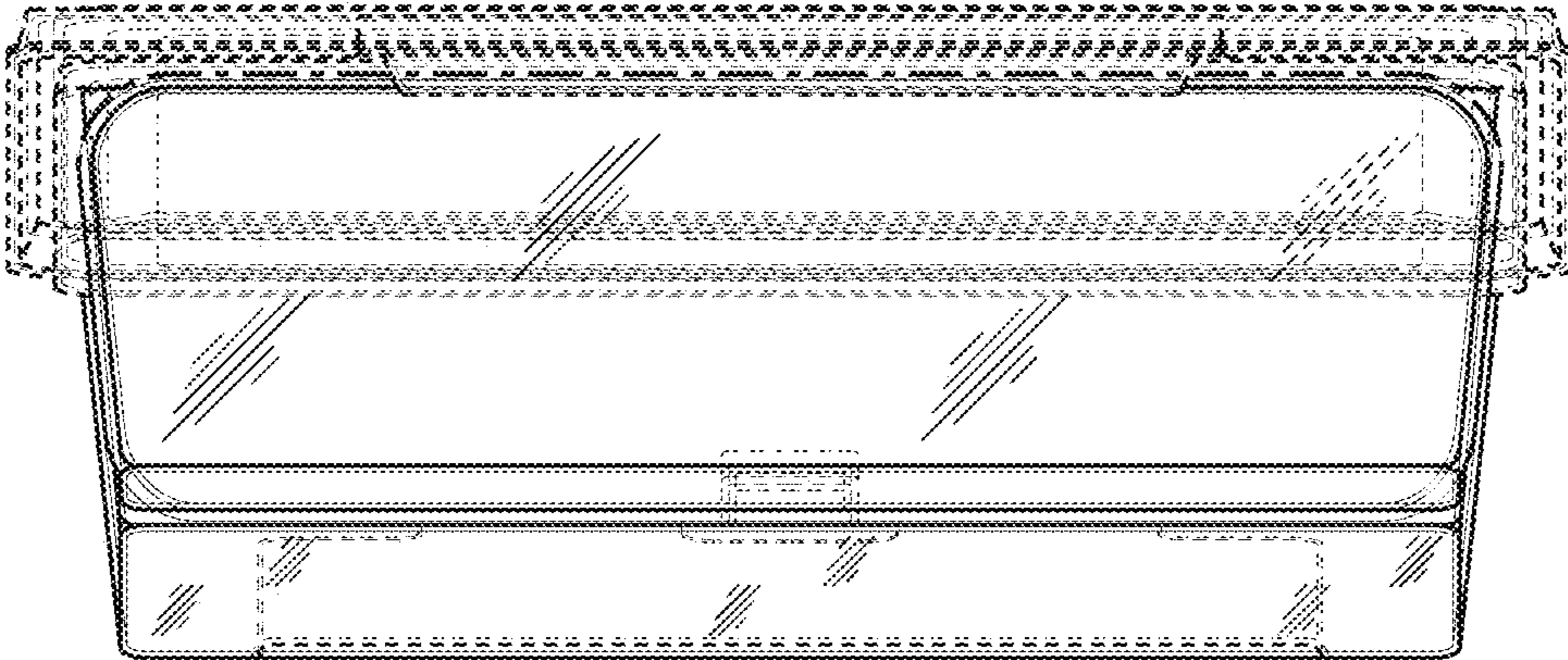


FIG. 7

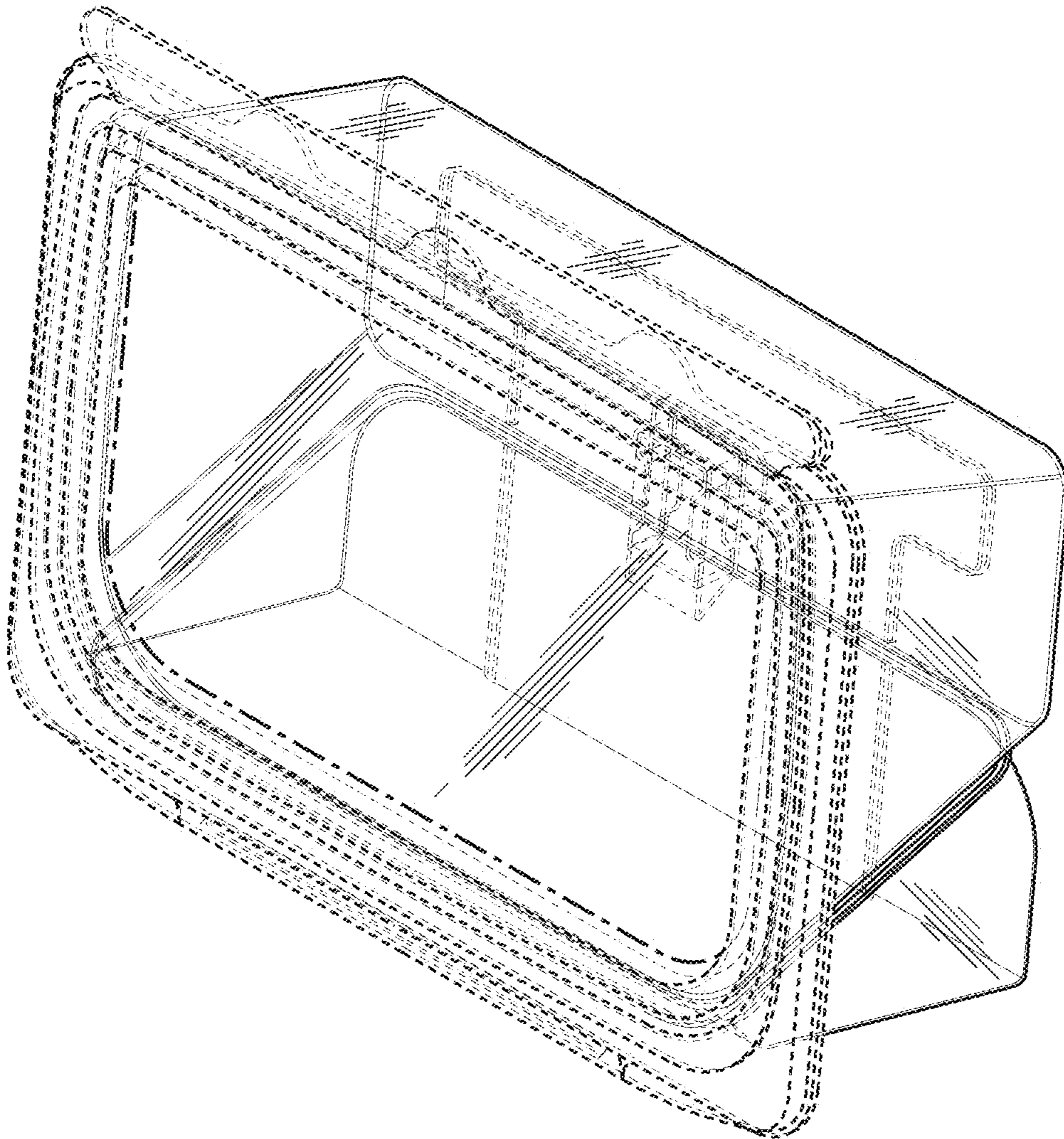


FIG. 8



FIG. 9

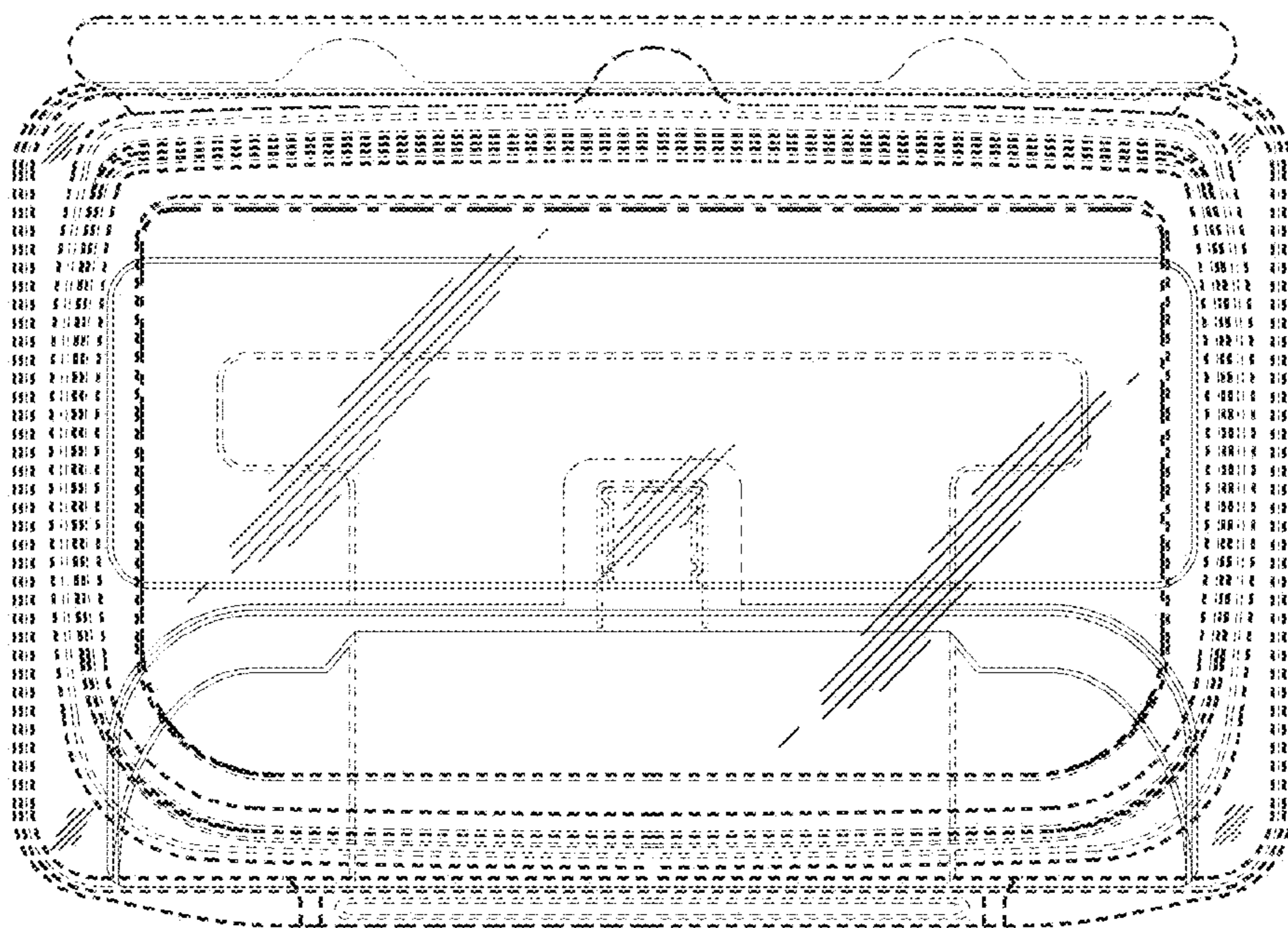


FIG. 10

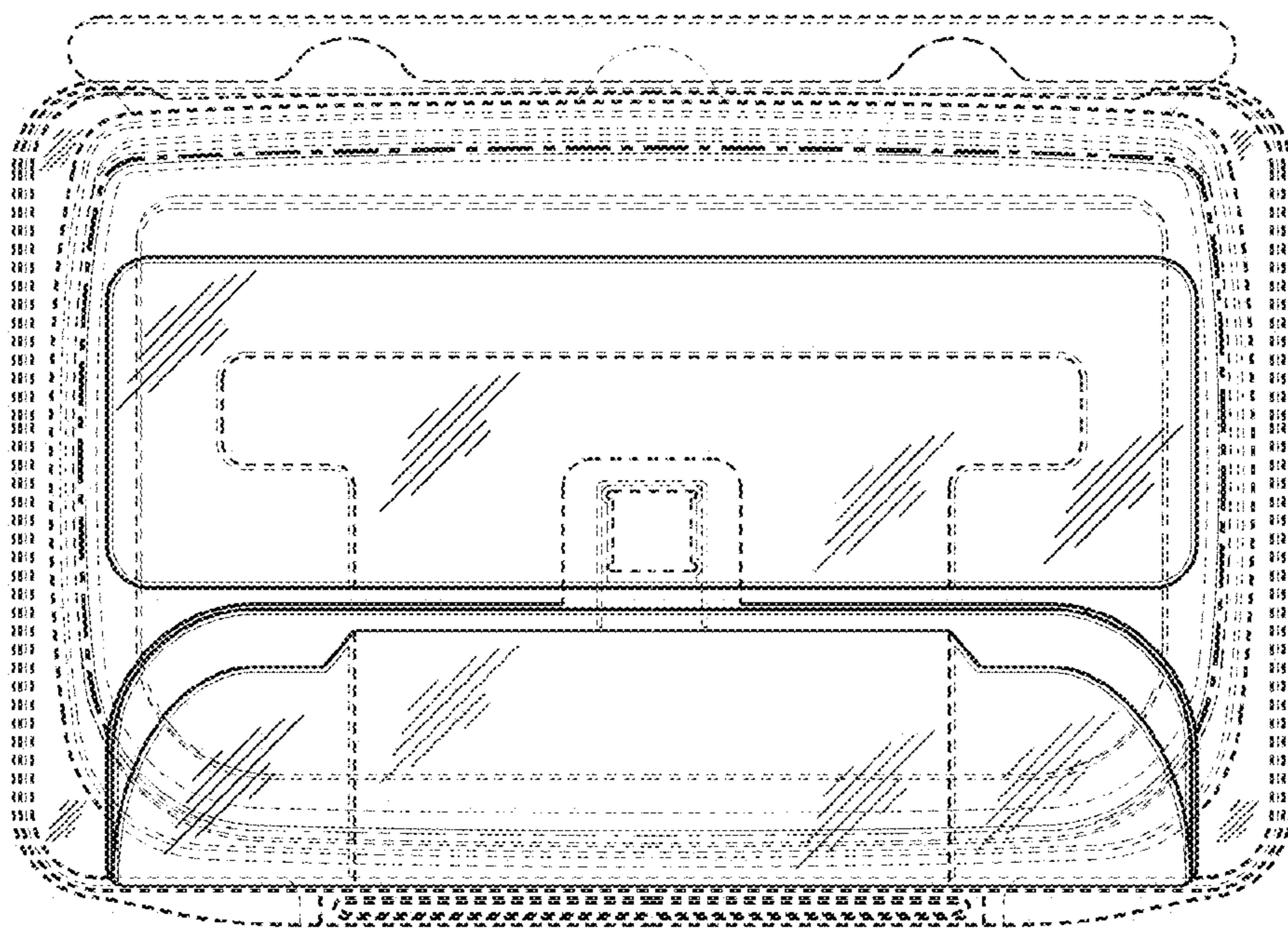


FIG. 11

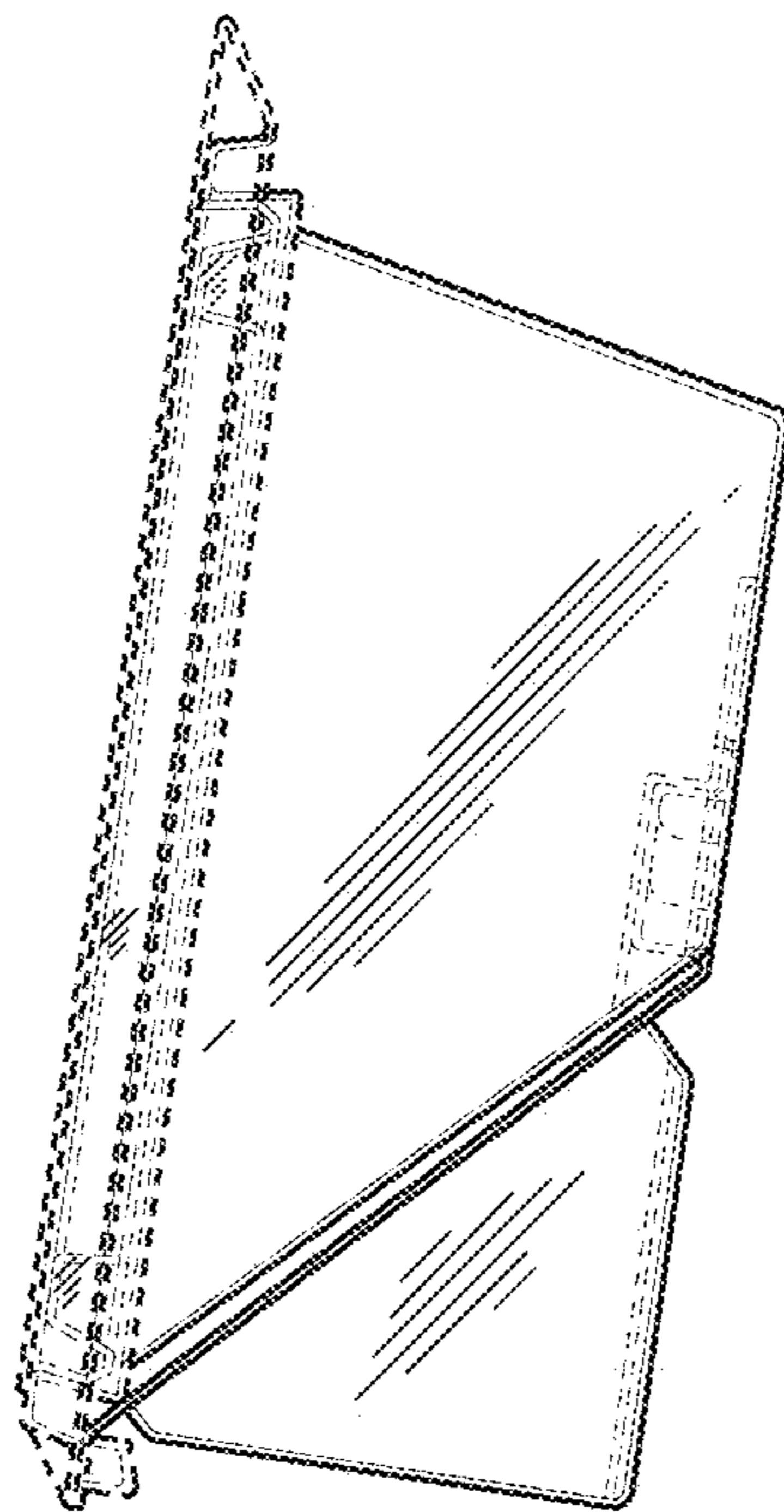


FIG. 12

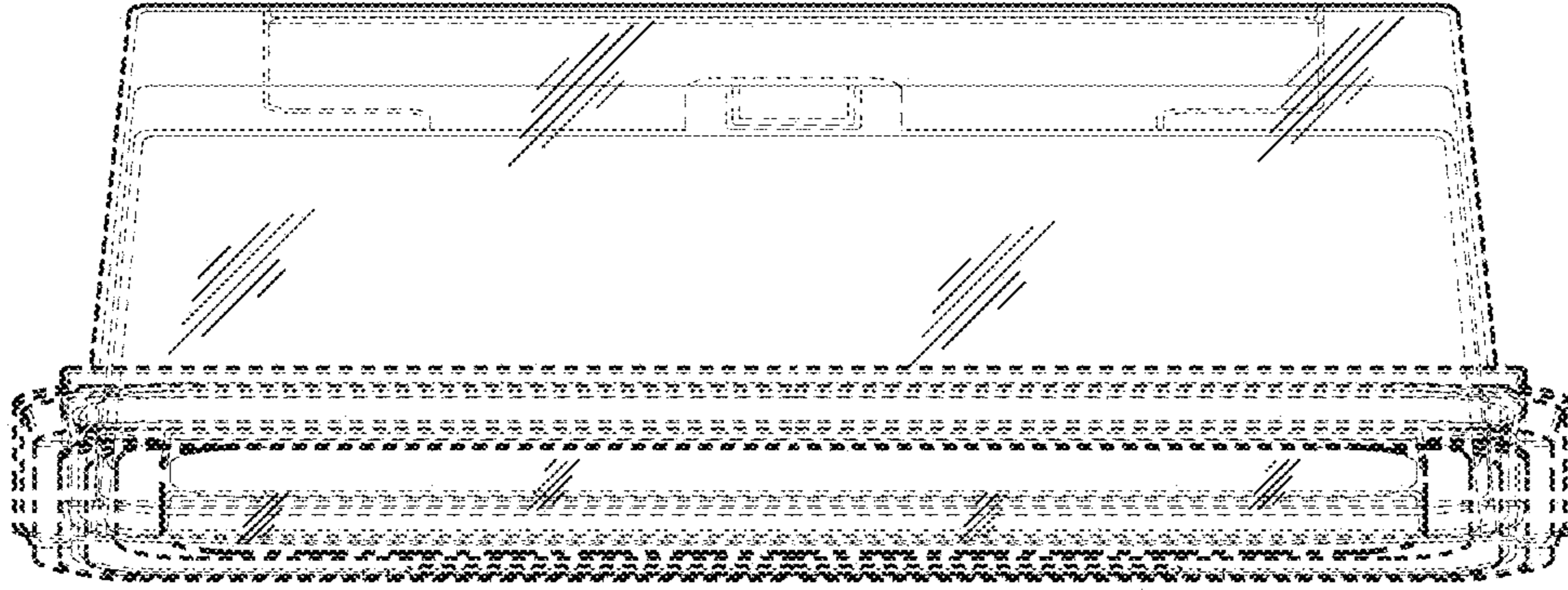


FIG. 13

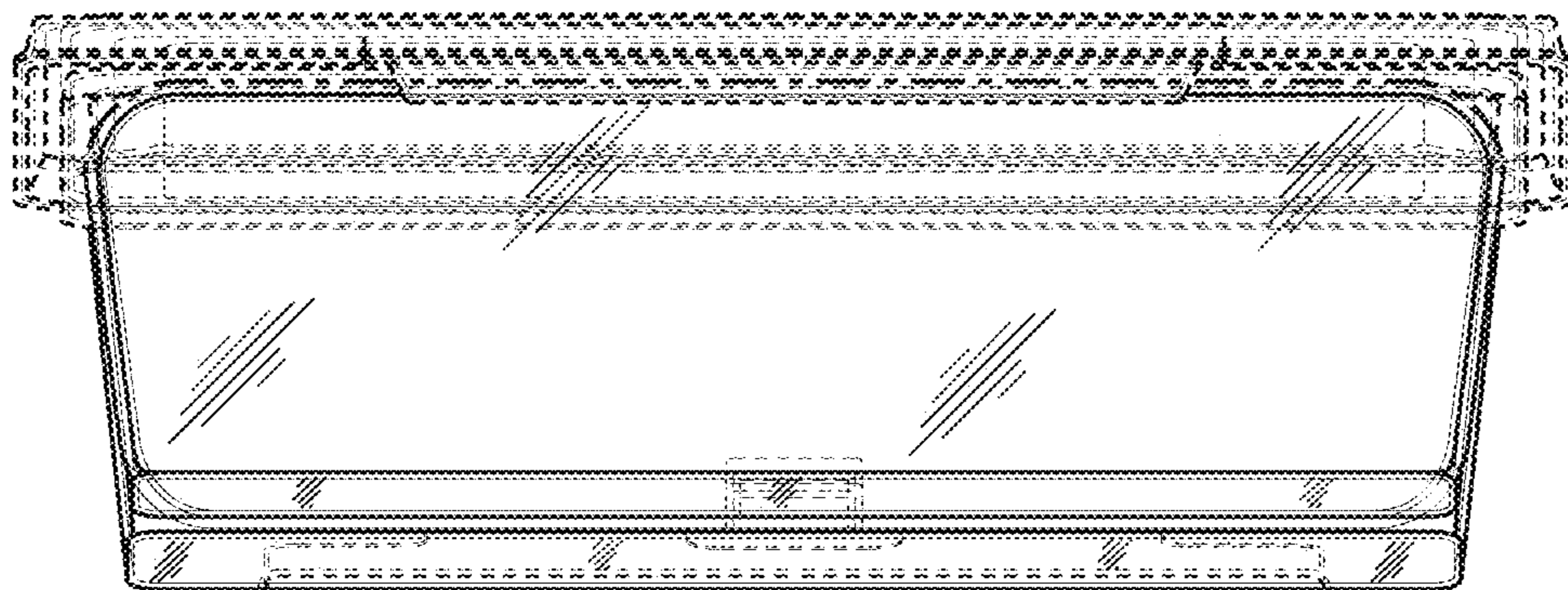


FIG. 14