



US00D931737S

(12) **United States Design Patent** (10) **Patent No.:** **US D931,737 S**
Apple et al. (45) **Date of Patent:** **** Sep. 28, 2021**

(54) **GIFT CARD HOLDER**

DESCRIPTION

(71) Applicant: **Amazon Technologies, Inc.**, Seattle, WA (US)
(72) Inventors: **Benjamin Apple**, Seattle, WA (US); **Rebecca Gunn**, London (GB); **Kaori Yasukura**, Tokyo Prefecture (JP); **Emmanuelle Beccari**, Seattle, WA (US); **Leandro A Santos**, Issaquah, WA (US)
(73) Assignee: **Amazon Technologies, Inc.**, Seattle, WA (US)
(**) Term: **15 Years**
(21) Appl. No.: **29/664,174**
(22) Filed: **Sep. 21, 2018**
(51) **LOC (13) Cl.** **09-03**
(52) **U.S. Cl.**
USPC **D9/722; D9/415**
(58) **Field of Classification Search**
USPC D9/414, 415, 416, 432, 433, 658, 722; D3/201, 203.1, 273, 294, 298, 299, 300, D3/304, 314; D19/1, 10
(Continued)

(56) **References Cited**

U.S. PATENT DOCUMENTS

D288,533 S * 3/1987 Jialanella D9/415
D295,020 S * 4/1988 Franchi D9/415
(Continued)

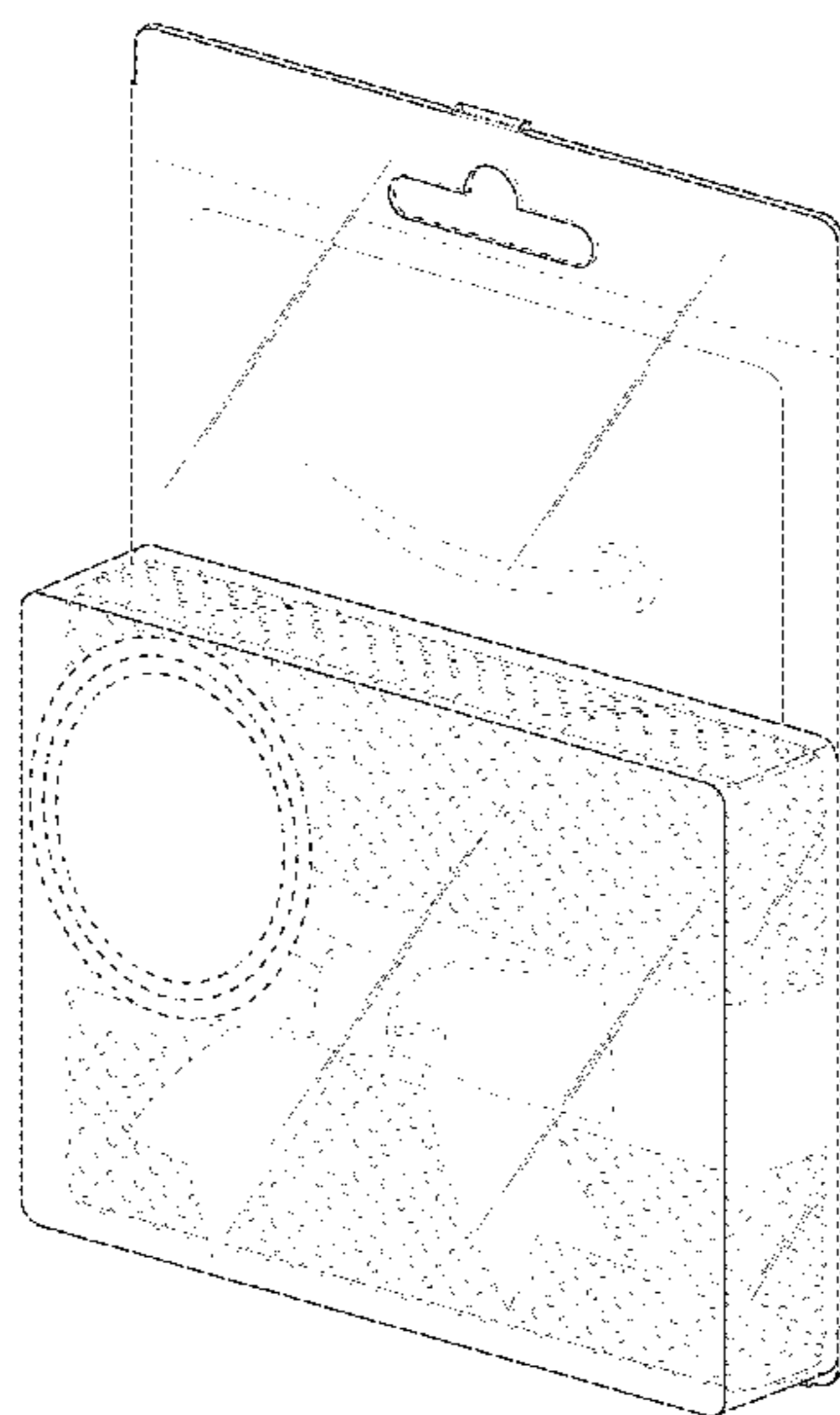
Primary Examiner — Lauren R Calve
(74) *Attorney, Agent, or Firm* — Lee & Hayes, P.C.

(57) **CLAIM**

The ornamental design for a gift card holder, as shown and described.

FIG. 1 is a front perspective view of a first embodiment of a gift card holder. The first embodiment shows the gift card holder with a transparent (e.g., plastic) cover;
FIG. 2 is a front view thereof;
FIG. 3 is a back view thereof;
FIG. 4 is a right-side view thereof;
FIG. 5 is a left-side view thereof;
FIG. 6 is a top view thereof;
FIG. 7 is a bottom view thereof;
FIG. 8 is a front perspective view of a second embodiment of a gift card holder. The second embodiment shows the gift card holder with a transparent (e.g., plastic) cover;
FIG. 9 is a front view thereof;
FIG. 10 is a back view thereof;
FIG. 11 is a right-side view thereof;
FIG. 12 is a left-side view thereof;
FIG. 13 is a top view thereof;
FIG. 14 is a bottom view thereof;
FIG. 15 is a front perspective view of a third embodiment of a gift card holder. The third embodiment shows the gift card holder with a transparent (e.g., plastic) cover;
FIG. 16 is a front view thereof;
FIG. 17 is a back view thereof;
FIG. 18 is a right-side view thereof;
FIG. 19 is a left-side view thereof;
FIG. 20 is a top view thereof;
FIG. 21 is a bottom view thereof;
FIG. 22 is a front perspective view of a fourth embodiment of a gift card holder. The fourth embodiment shows the gift card holder with a transparent (e.g., plastic) cover;
FIG. 23 is a front view thereof;
FIG. 24 is a back view thereof;
FIG. 25 is a right-side view thereof;
FIG. 26 is a left-side view thereof;
FIG. 27 is a top view thereof; and,
FIG. 28 is a bottom view thereof.
The longer dashed broken lines depict portions of the gift card holder that form no part of the claimed design. The shorter dashed lines in FIGS. 1-3, 8-10, 15-17, 22-24 depict a perforation that forms no part of the claimed design.

1 Claim, 28 Drawing Sheets



(58) **Field of Classification Search**

CPC .. B42D 15/045; B42D 15/022; B42D 15/027;
B42D 15/042; A63H 3/18

See application file for complete search history.

(56) **References Cited**

U.S. PATENT DOCUMENTS

D383,385 S * 9/1997 Hayduk D21/372
6,202,842 B1 * 3/2001 Pirro B65D 73/0042
206/349
7,392,906 B2 * 7/2008 Yu B65D 75/36
206/471
8,672,129 B2 * 3/2014 Glass B65D 5/4208
206/461
D704,074 S * 5/2014 Tsai D9/722
8,800,768 B2 * 8/2014 Corbat B65D 73/0092
206/470
9,907,374 B2 * 3/2018 Canaday A45C 11/182
10,625,530 B2 * 4/2020 Nelson B42D 15/022
D908,478 S * 1/2021 Nelson D9/415
2003/0183643 A1 * 10/2003 Fagen B65D 75/366
221/26
2006/0278551 A1 * 12/2006 Bianchini B65D 75/54
206/463
2008/0245694 A1 * 10/2008 Shibata B65D 75/22
206/470
2009/0038968 A1 * 2/2009 Smith B65D 85/70
206/307
2012/0259718 A1 * 10/2012 Miller G06Q 20/28
705/17

* cited by examiner

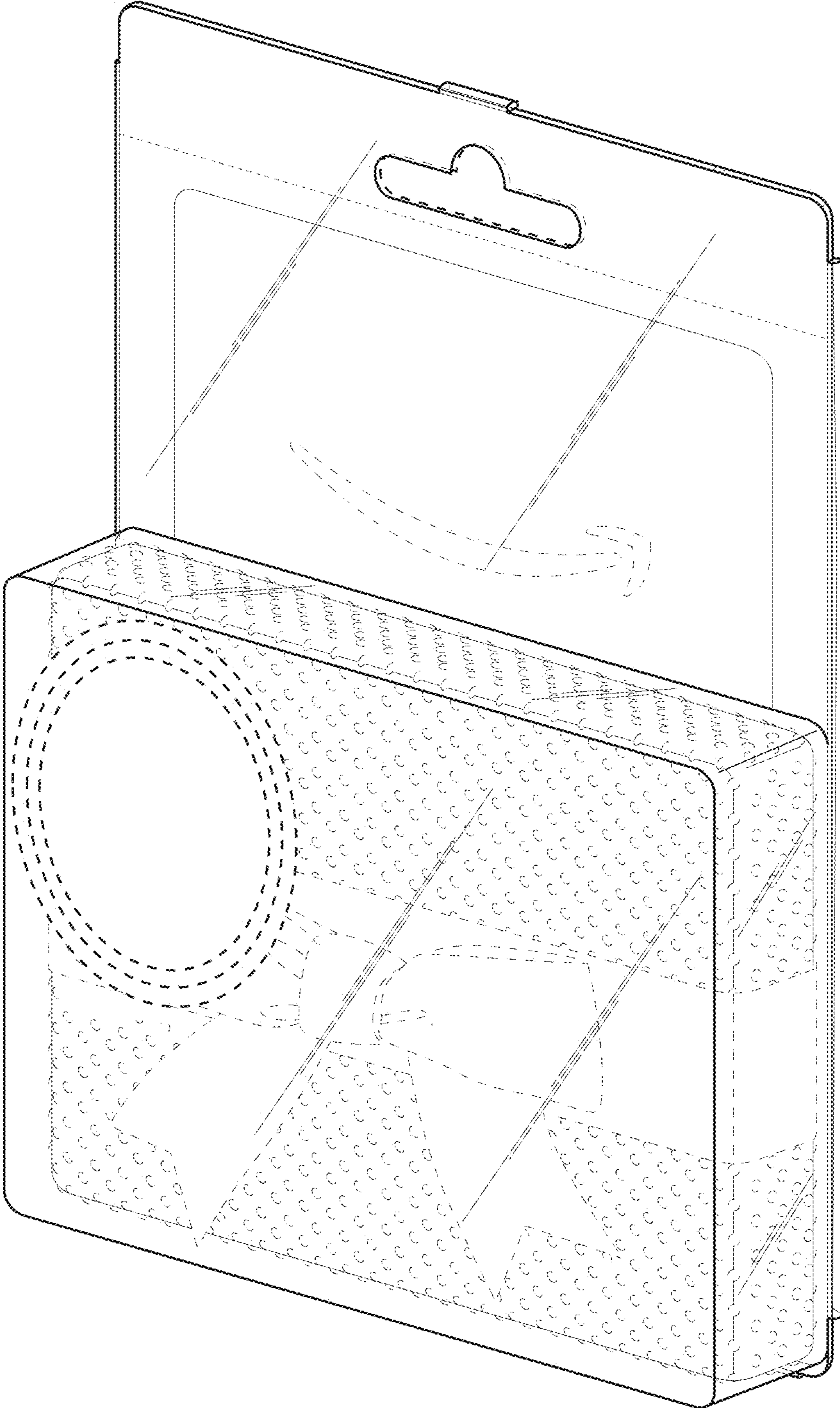


FIG. 1

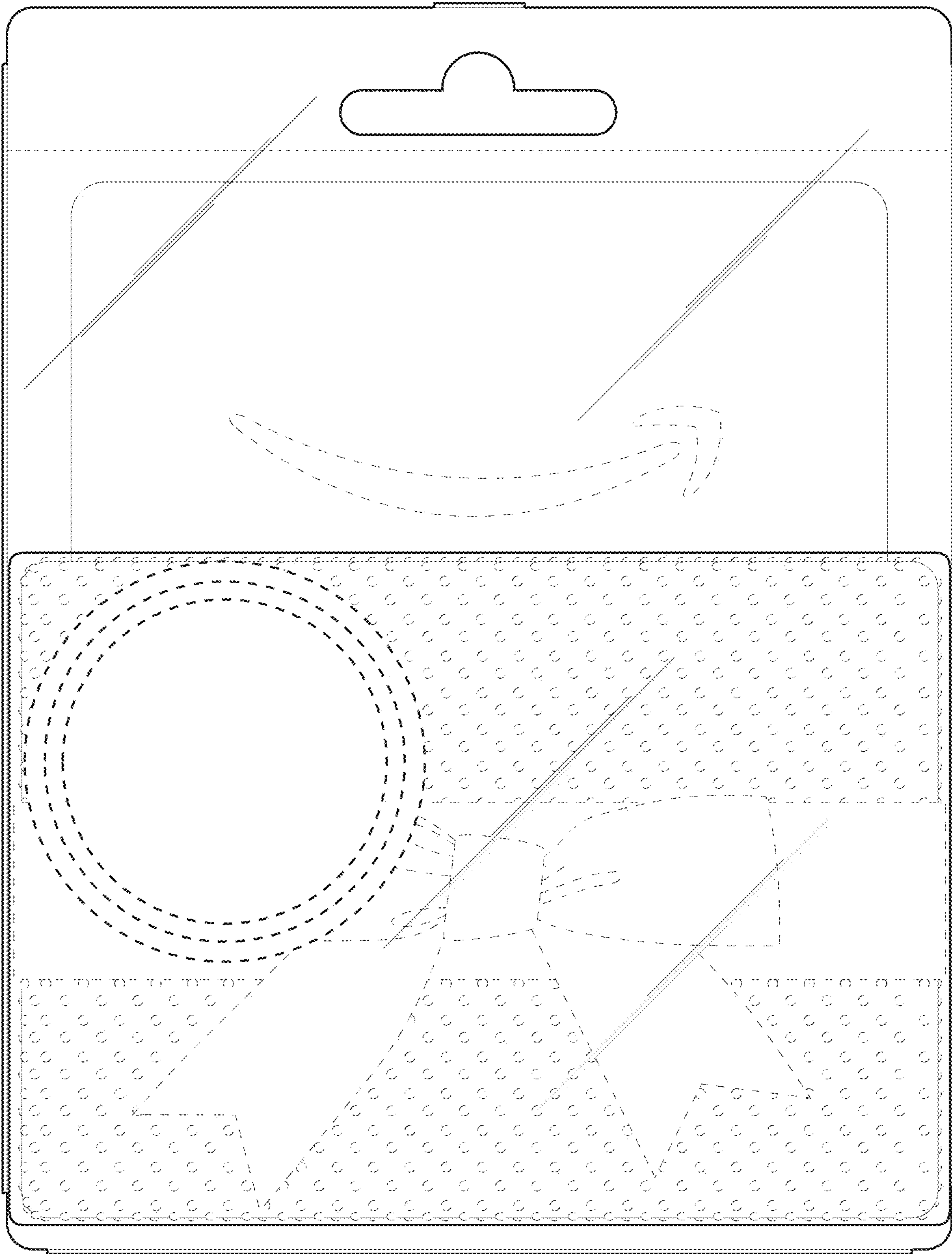


FIG. 2

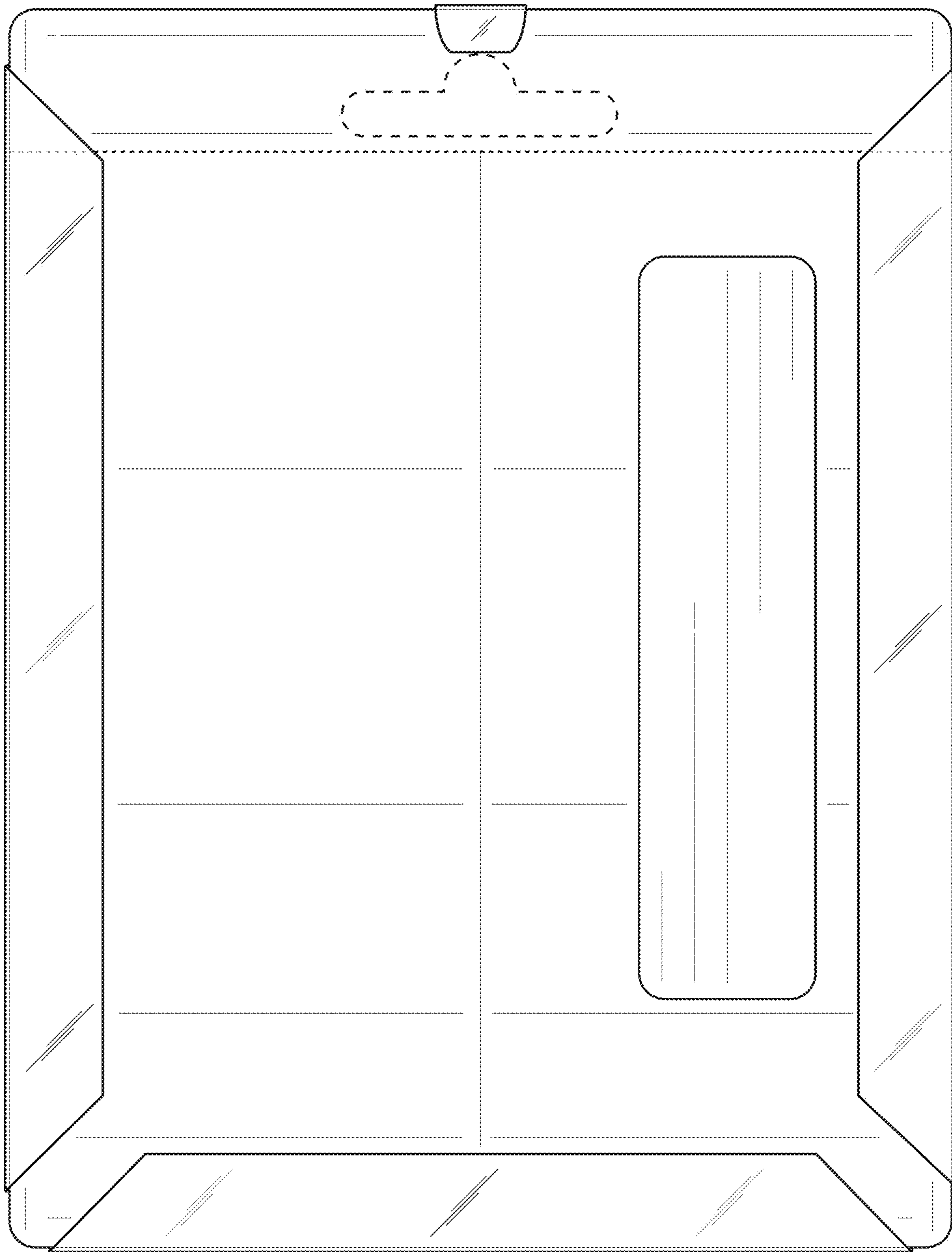


FIG. 3

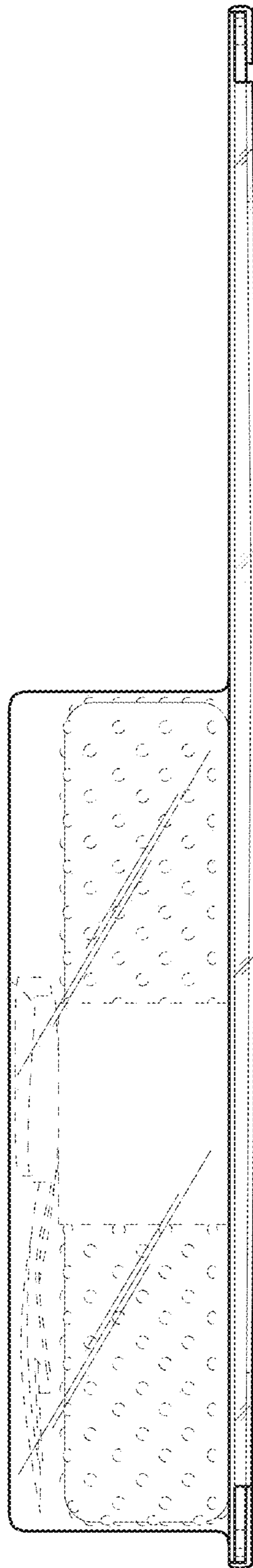


FIG. 4

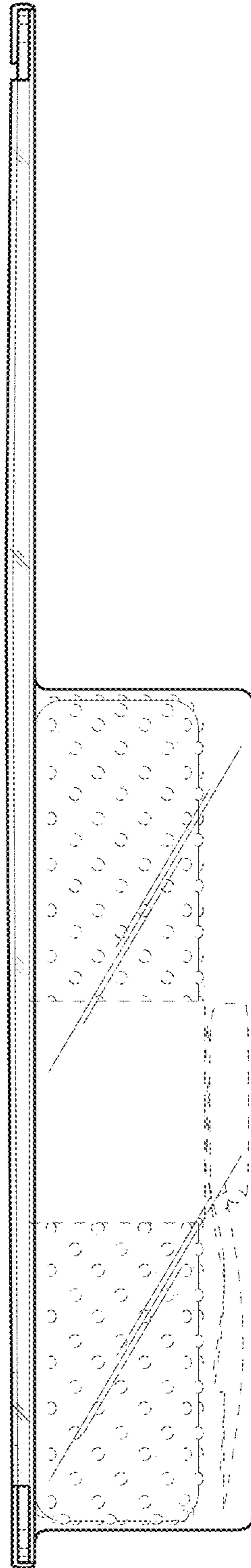


FIG. 5

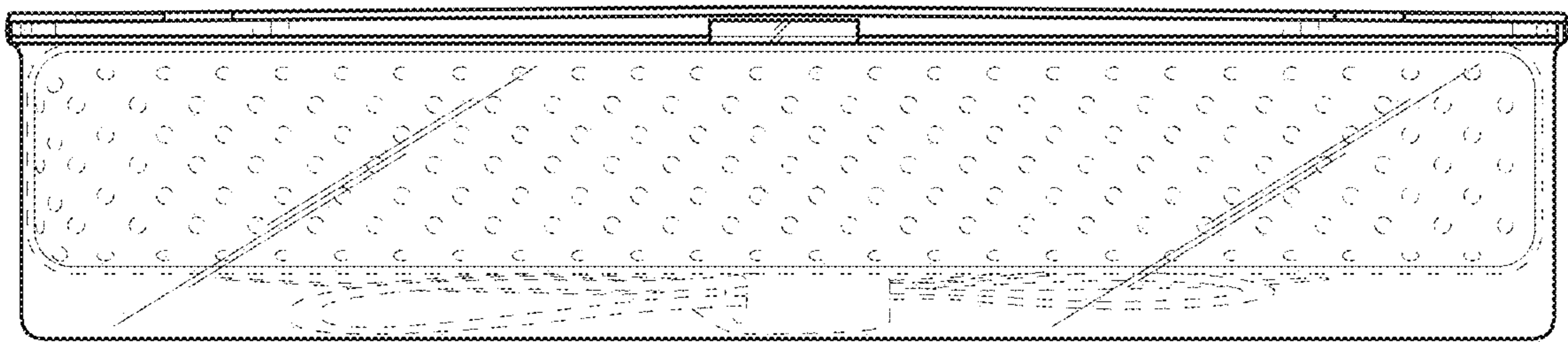


FIG. 6

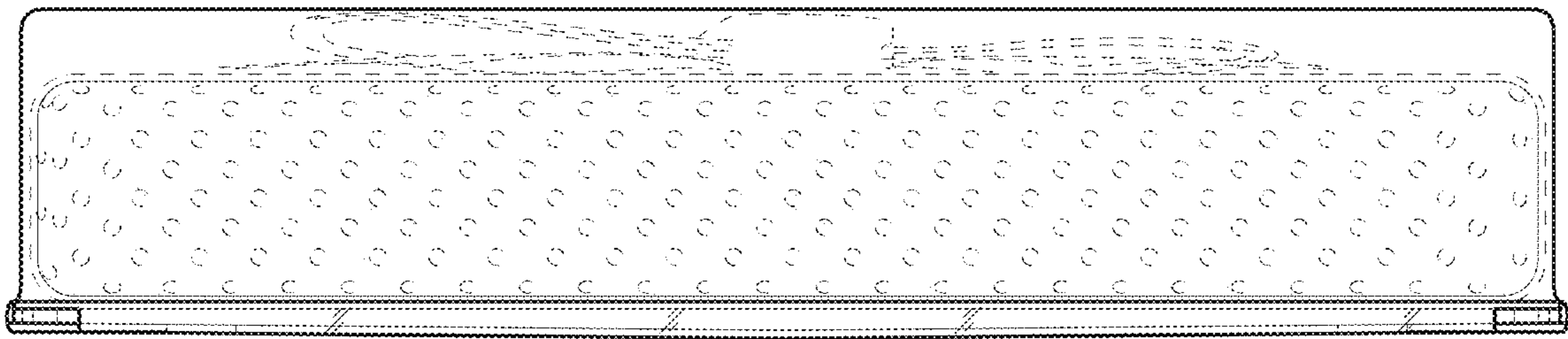


FIG. 7

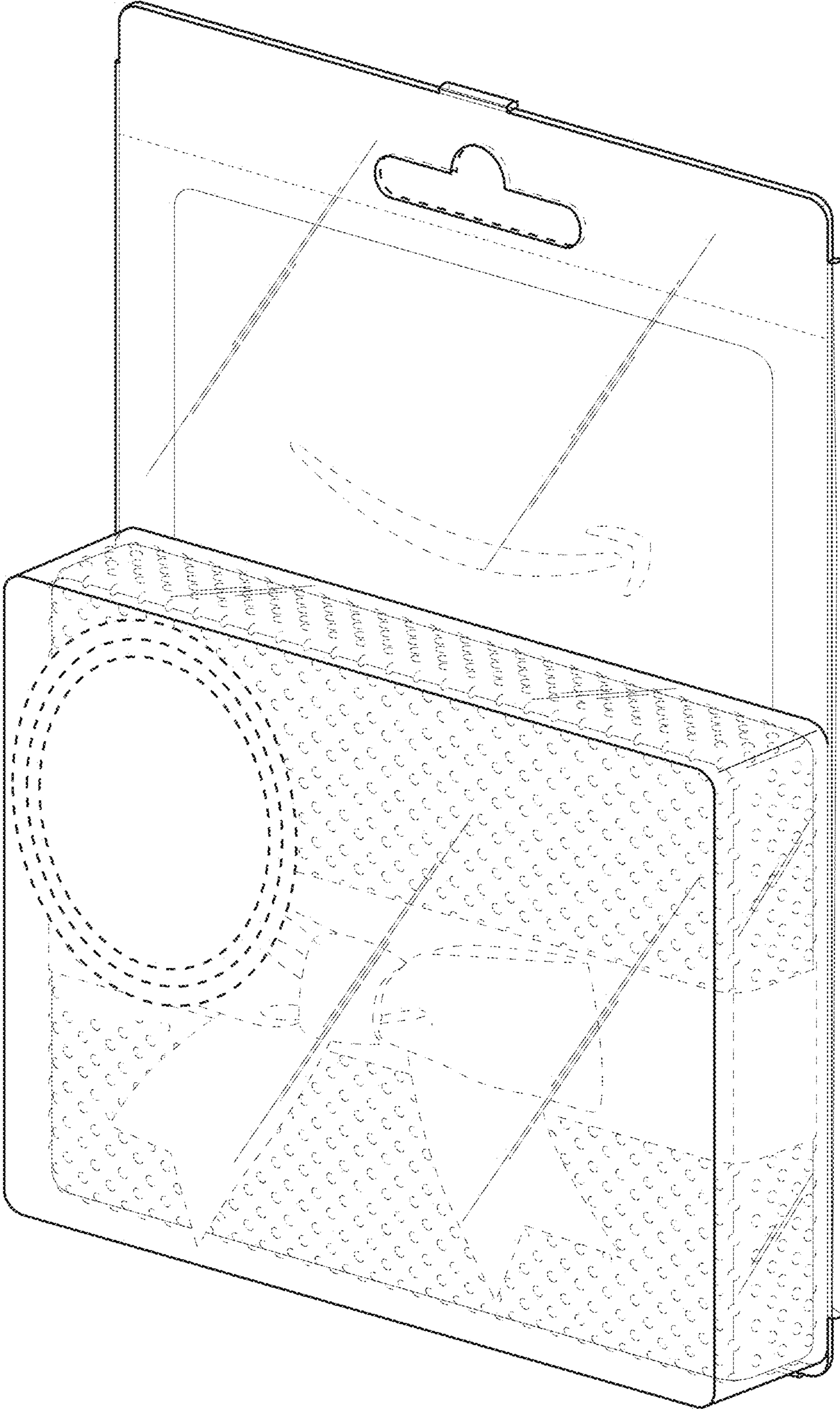


FIG. 8

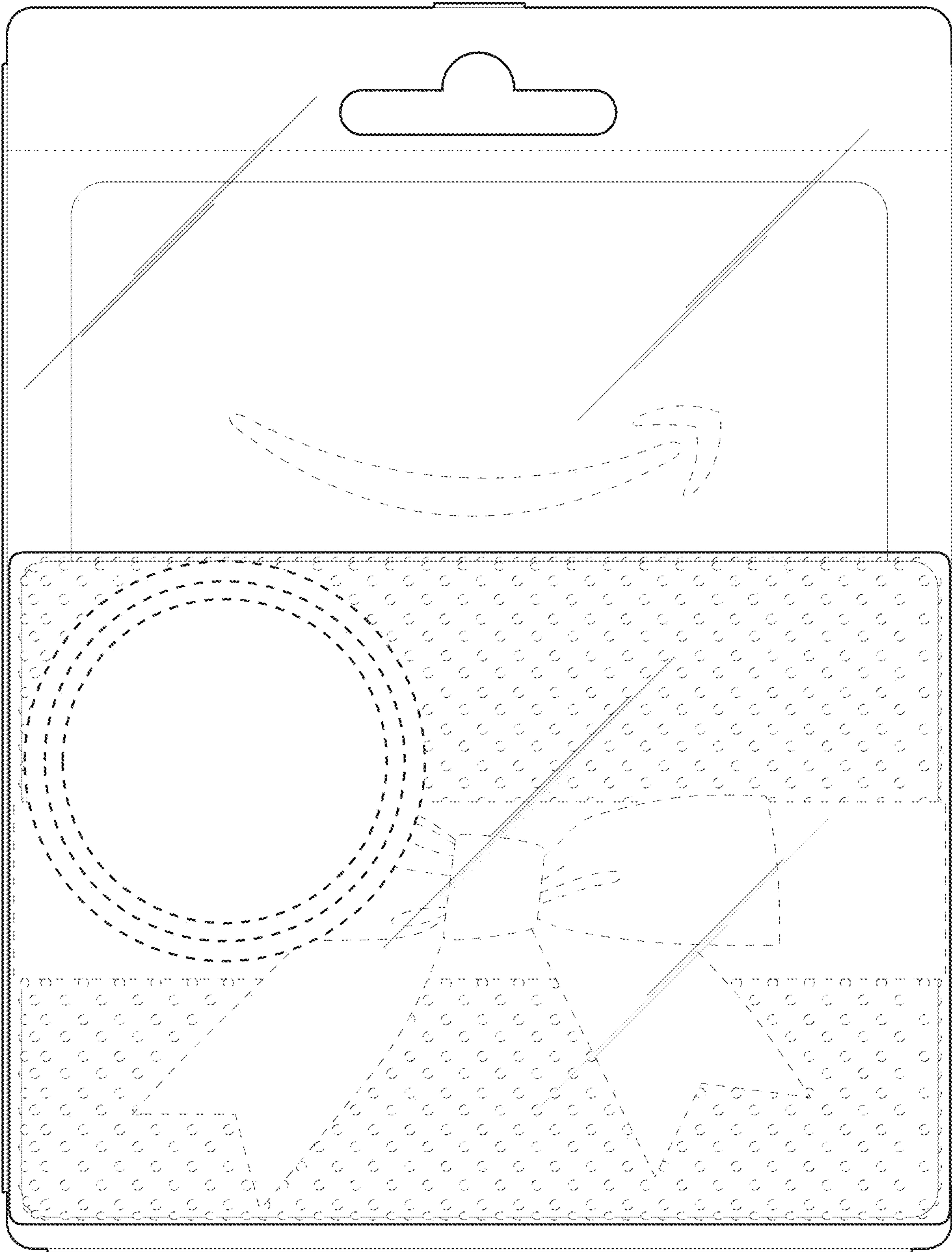


FIG. 9

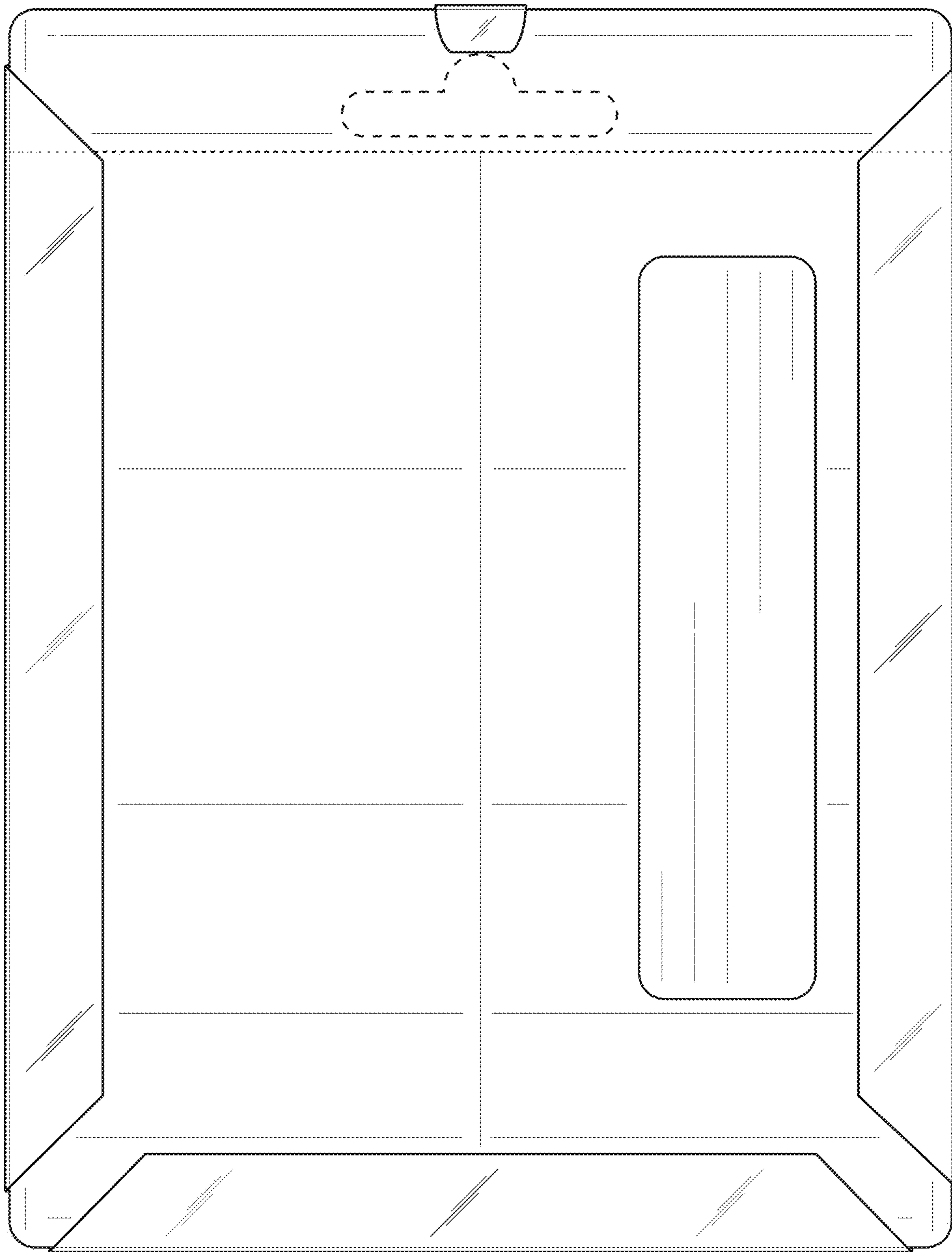


FIG. 10

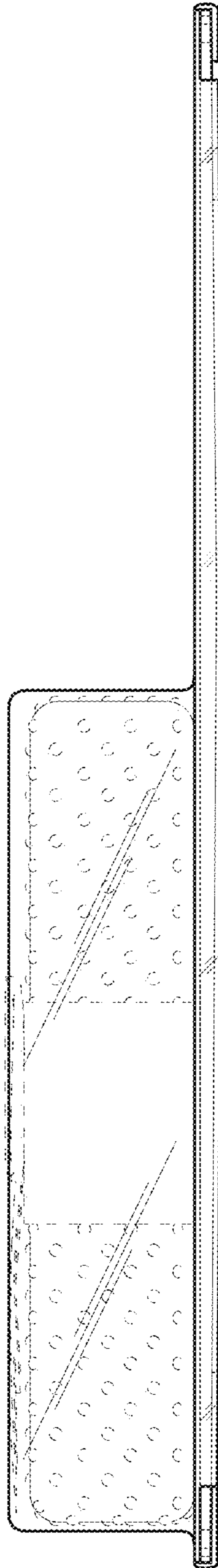


FIG. 11

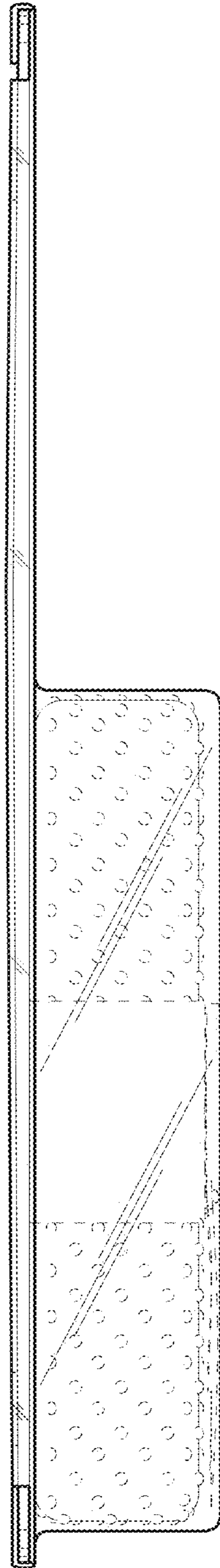


FIG. 12

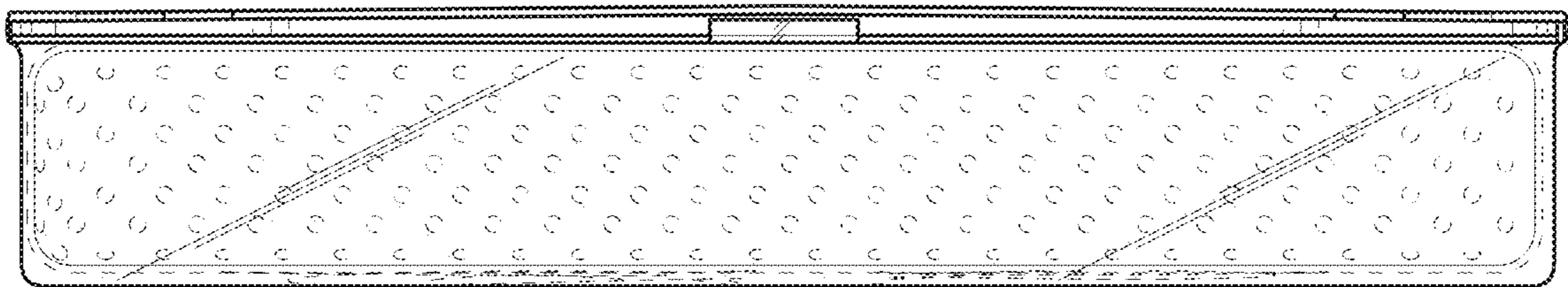


FIG. 13

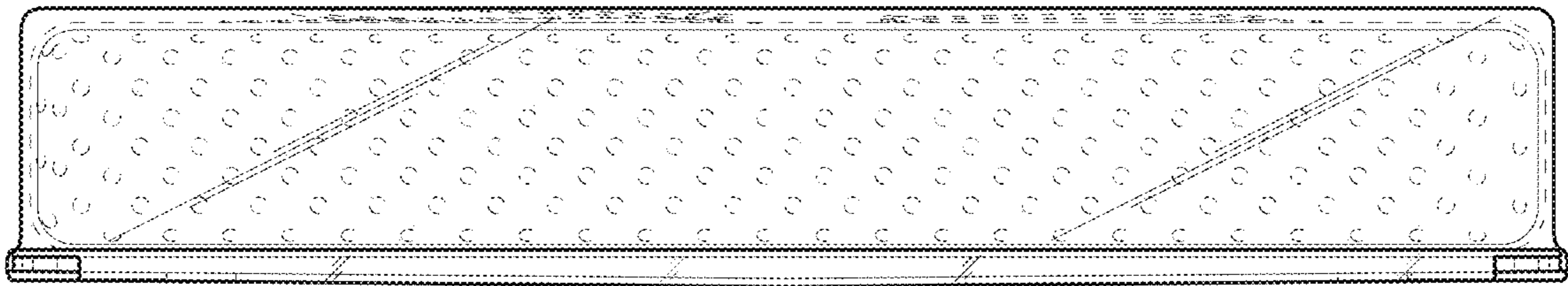


FIG. 14

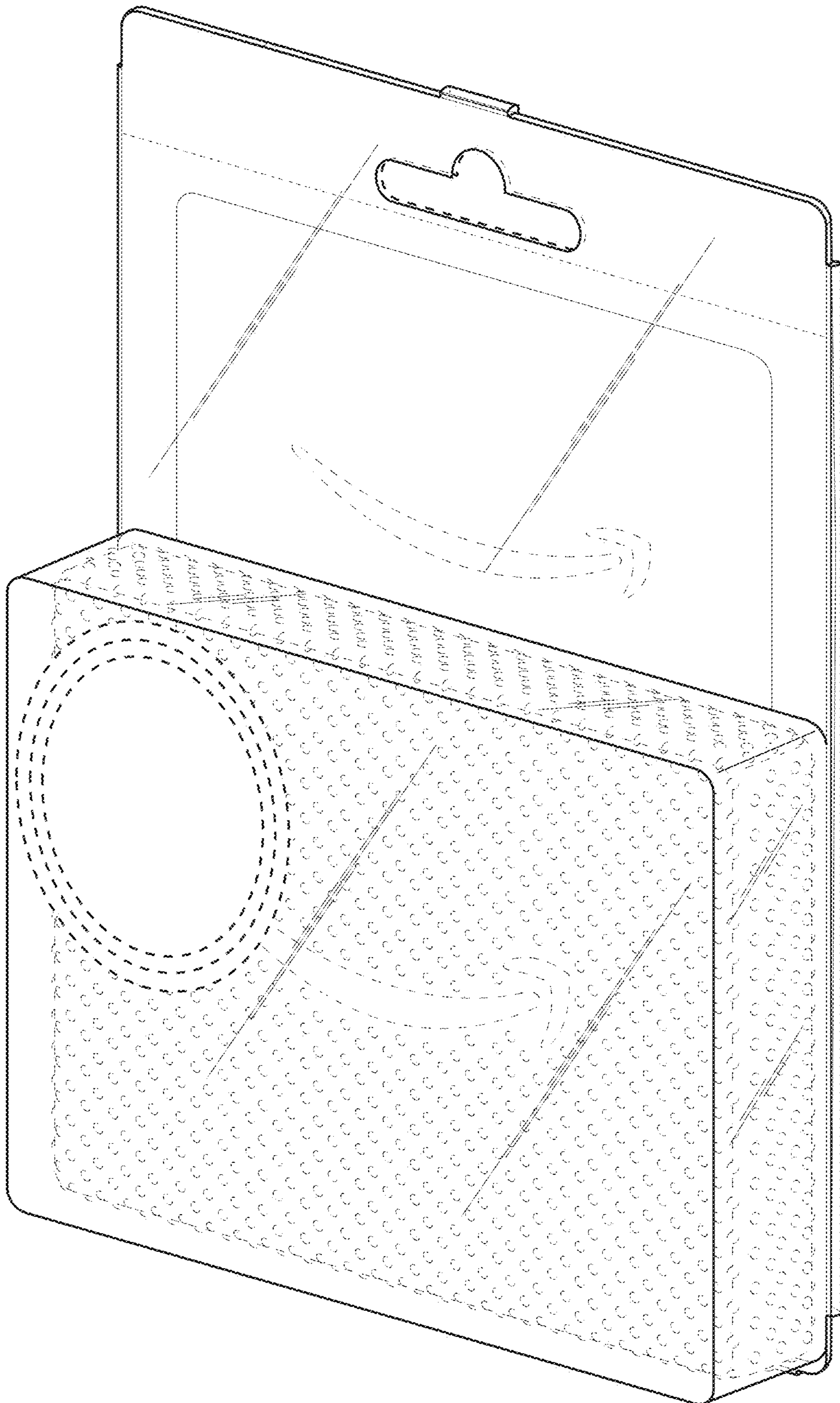


FIG. 15

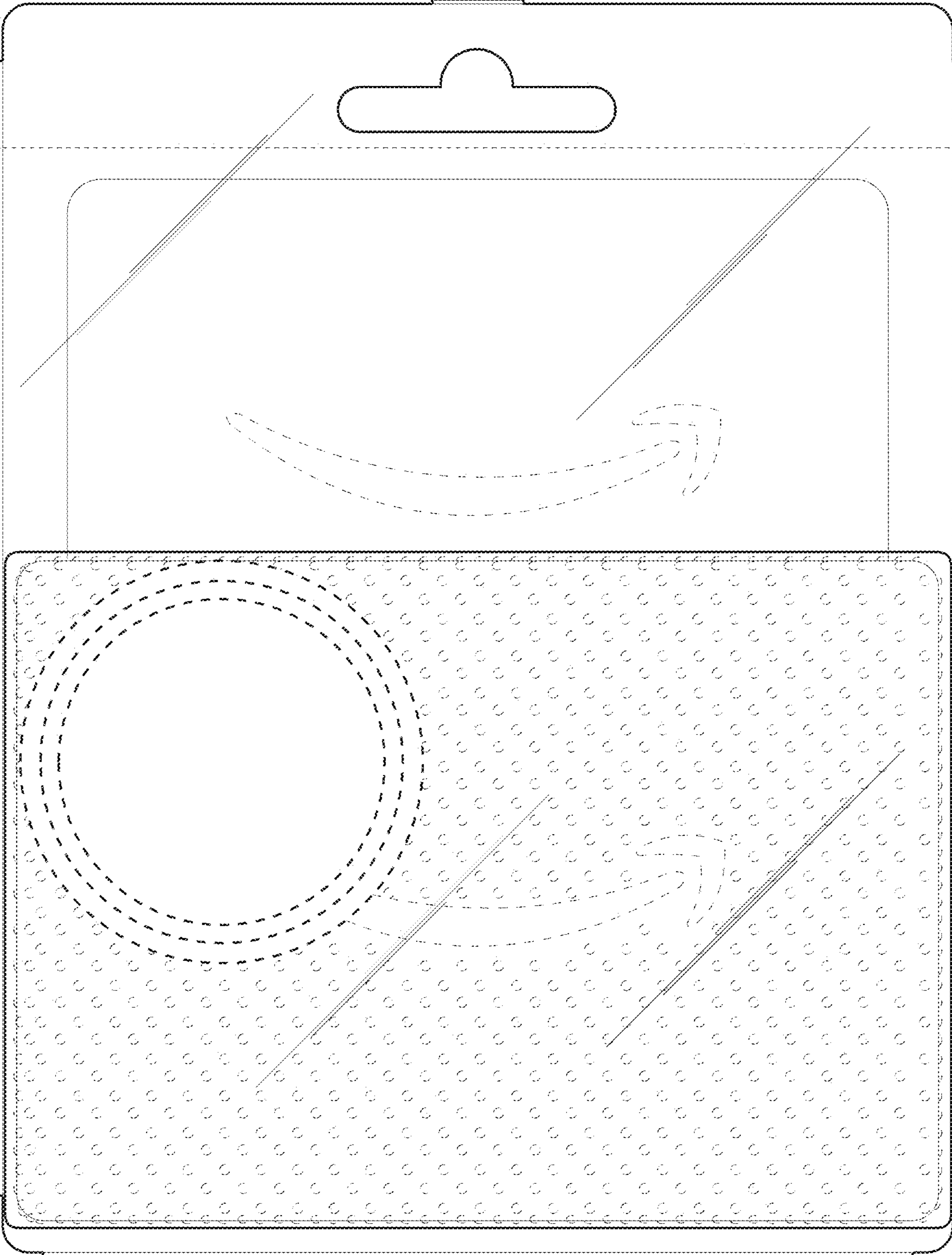


FIG. 16

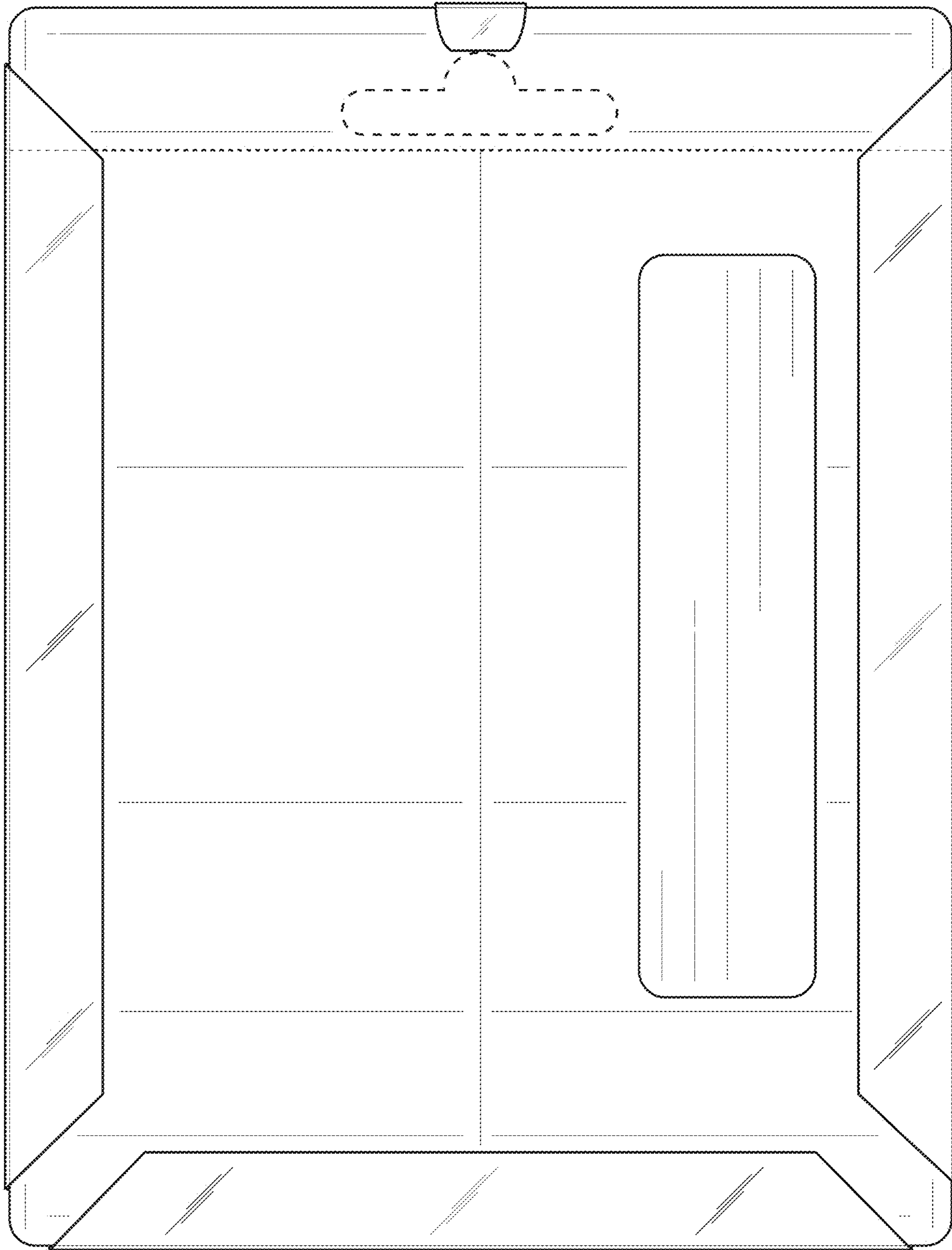


FIG. 17

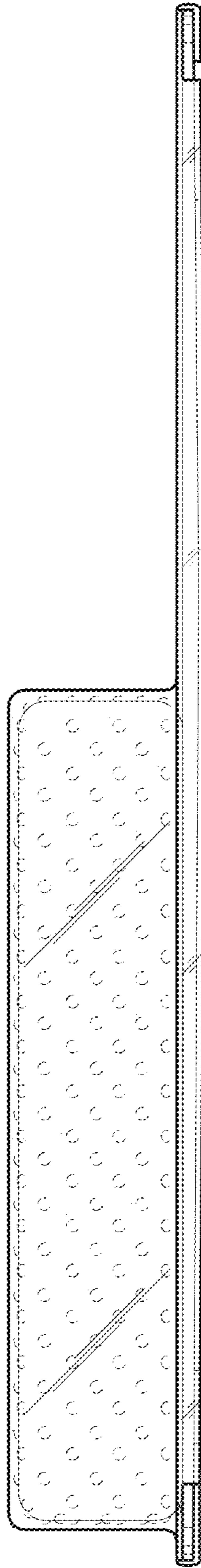


FIG. 18

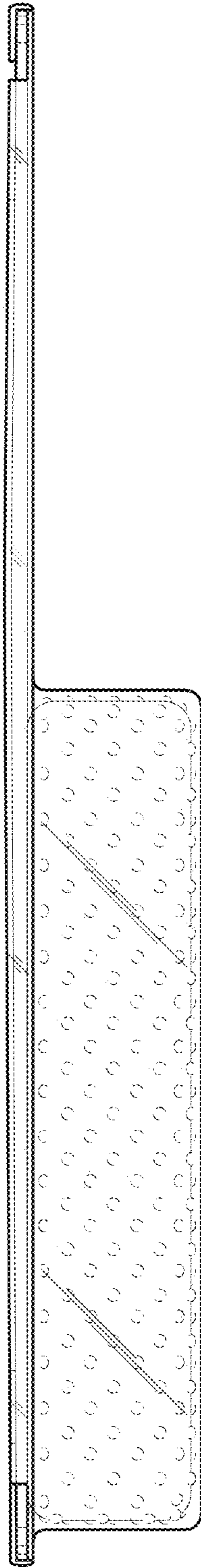


FIG. 19

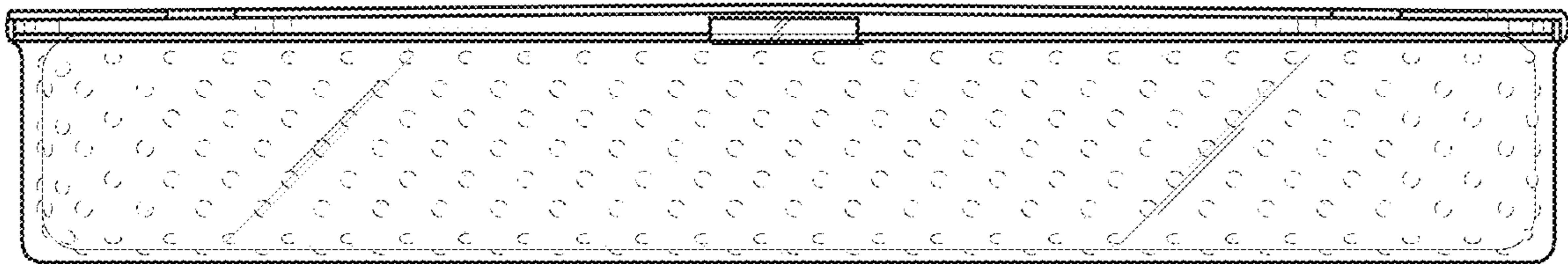


FIG. 20

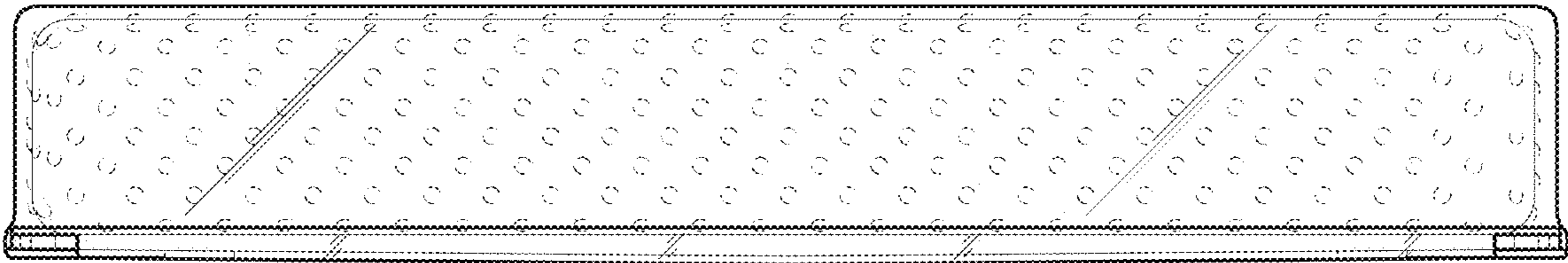


FIG. 21

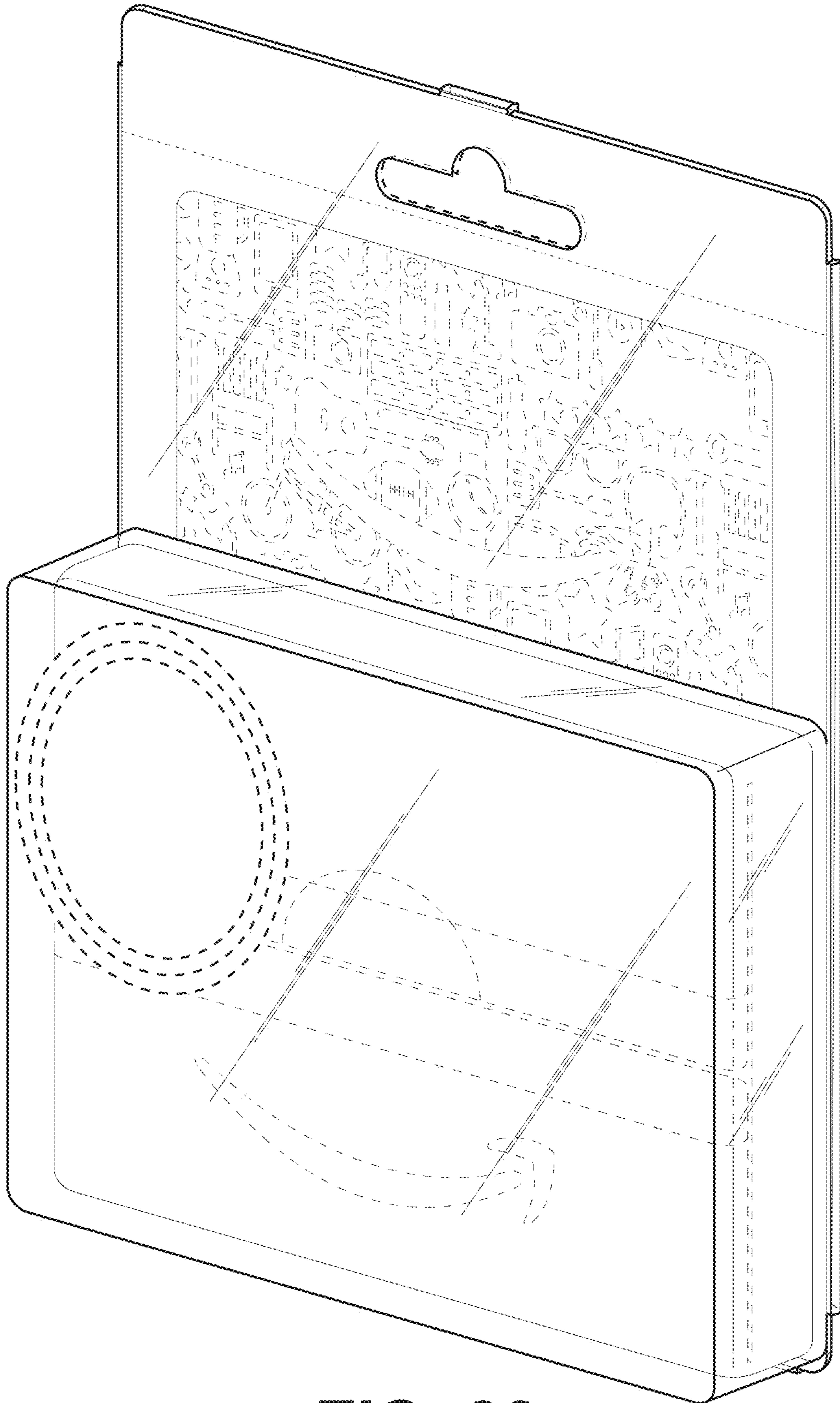


FIG. 22

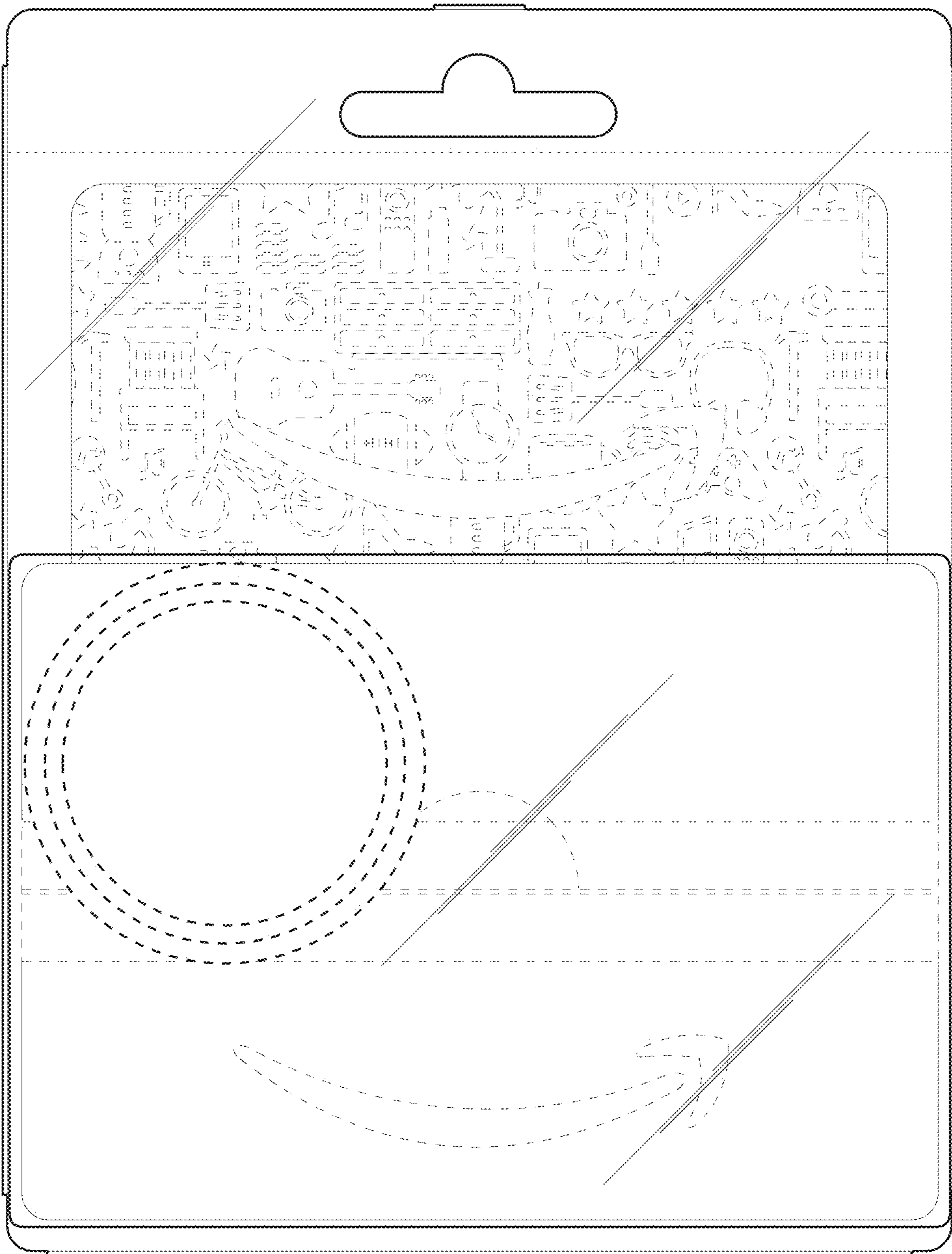


FIG. 23

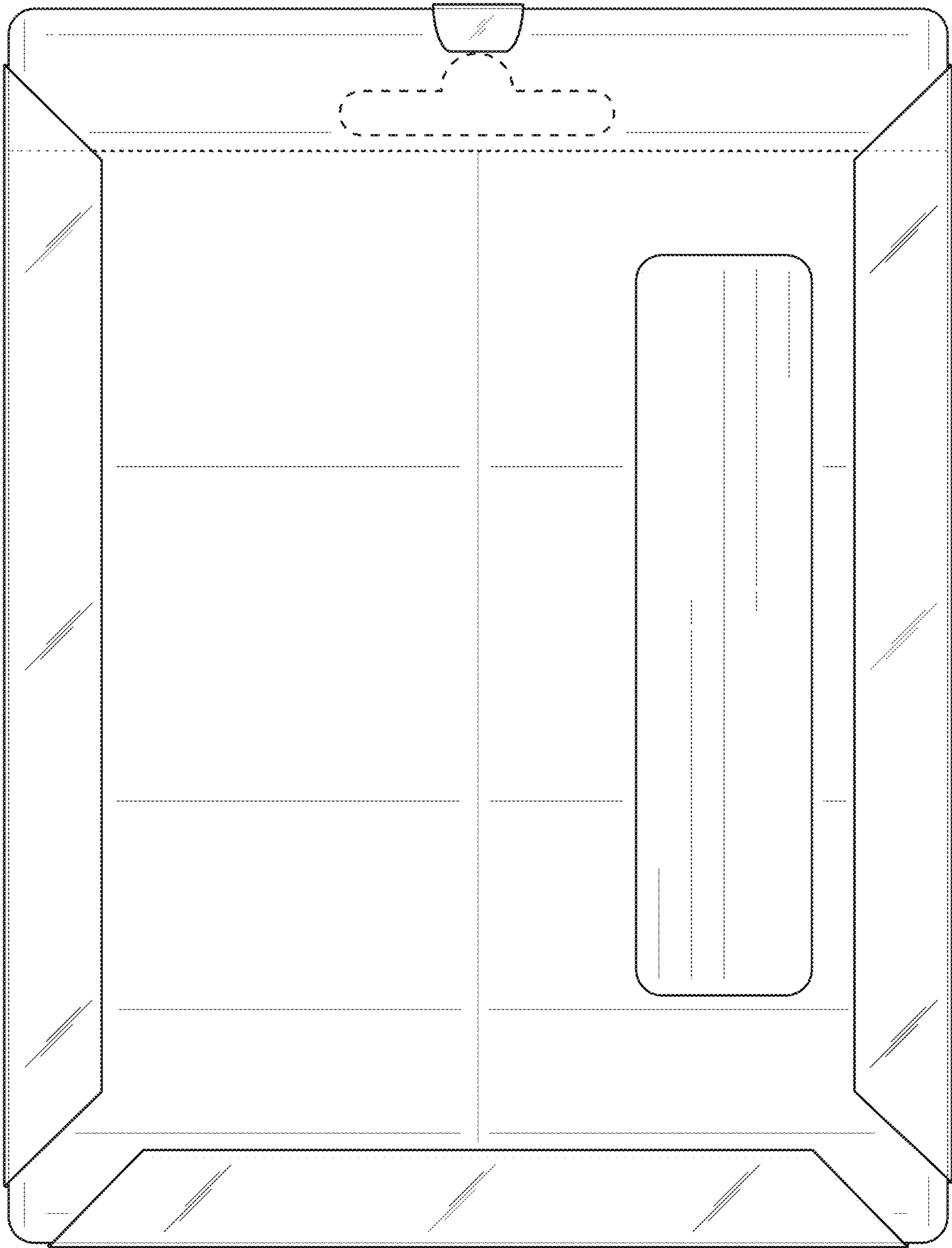


FIG. 24

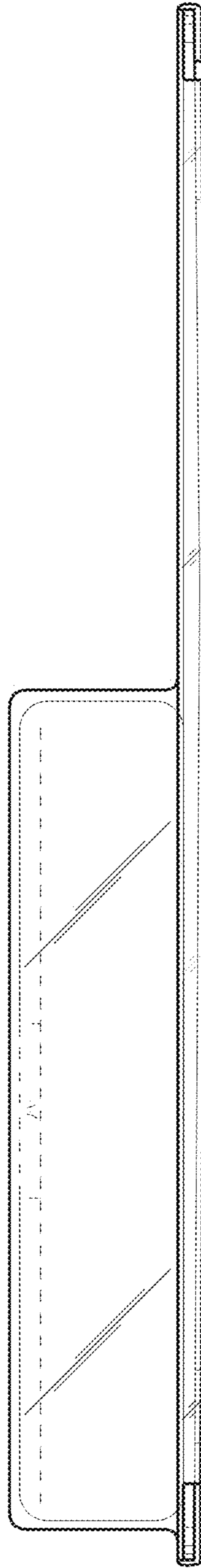


FIG. 25

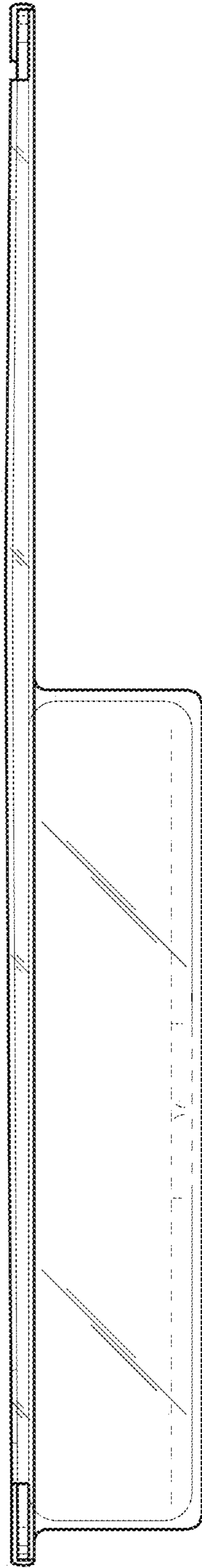


FIG. 26

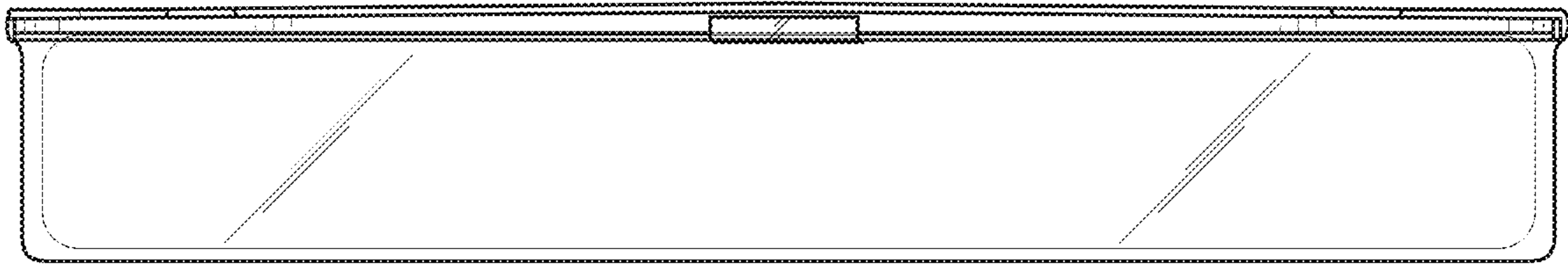


FIG. 27

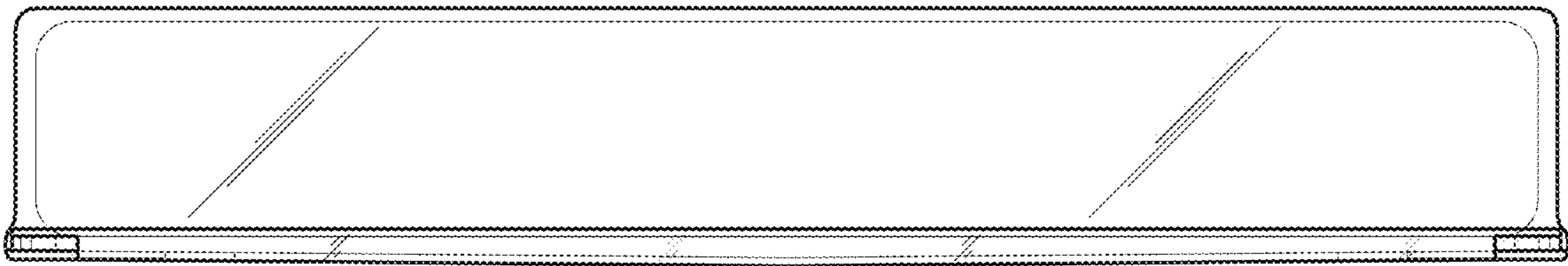


FIG. 28