



US00D931735S

(12) **United States Design Patent** (10) **Patent No.:** **US D931,735 S**
Hogenbirk (45) **Date of Patent:** **** Sep. 28, 2021**

(54) **FOOD PACKAGE**

- (71) Applicant: **Kraft Foods Group Brands LLC**,
Chicago, IL (US)
- (72) Inventor: **Lambert John Hogenbirk**, Mississauga
(CA)
- (73) Assignee: **Kraft Foods Group Brands LLC**,
Chicago, IL (US)
- (**) Term: **15 Years**
- (21) Appl. No.: **29/705,519**
- (22) Filed: **Sep. 12, 2019**
- (51) **LOC (13) Cl.** **09-05**
- (52) **U.S. Cl.**
USPC **D9/702**
- (58) **Field of Classification Search**
USPC D9/702-714, 720-722, 416-417,
D9/695-696; D24/118-119, 207;
383/200, 207, 38, 208-209, 63, 61.1, 113,
383/6; 229/87.06, 87.03, 87.08;
426/106, 115, 119-120, 122, 410;
222/94, 107, 541.1, 92, 541.2; 206/811,
206/229, 484; 219/727; D3/201, 232,
D3/240, 245; 150/107
CPC B65D 33/25; B65D 11/00; B65D 11/18;
B65D 11/10; B65D 17/00; B65D 17/16;
B65D 17/161; B65D 17/163; B65D
17/20; B65F 1/006; B65F 1/062; B65F
1/1415

See application file for complete search history.

(56) **References Cited**

U.S. PATENT DOCUMENTS

D473,131 S *	4/2003	Berman	D9/707
D613,615 S *	4/2010	Hedstrom	D9/702
D891,267 S *	7/2020	Lin	B65D 33/01
			D9/703
D901,983 S *	11/2020	Mouler	D7/601

* cited by examiner

Primary Examiner — Abraham Bahta

(74) *Attorney, Agent, or Firm* — Fitch, Even, Tabin & Flannery LLP

(57) **CLAIM**

The ornamental design for a food package, as shown and described.

DESCRIPTION

FIG. 1 is a perspective view of a food package in accordance with my new design;

FIG. 2 is a front elevation view thereof;

FIG. 3 is a left side elevation view thereof;

FIG. 4 is a right side elevation view thereof;

FIG. 5 is a rear elevation view thereof;

FIG. 6 is a bottom plan view thereof; and,

FIG. 7 is a top plan view thereof.

The two different stippling patterns represent a contrast in appearance. The broken lines indicate unclaimed subject matter. The dash-dot lines indicate an unclaimed boundary and form no part of the claimed design. The oblique shade lines denote claimed surfaces that are transparent or translucent.

1 Claim, 3 Drawing Sheets

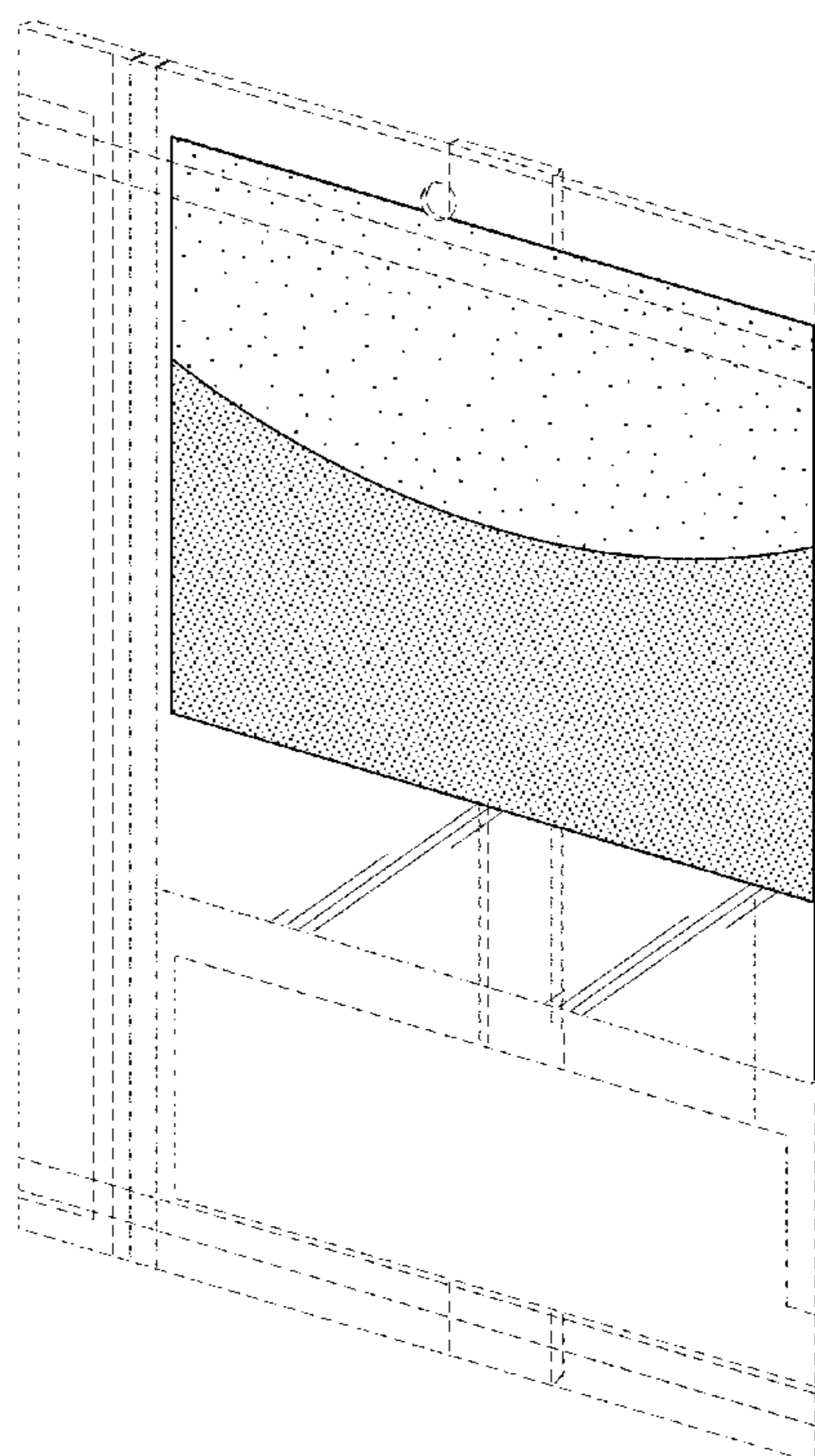


FIG. 1

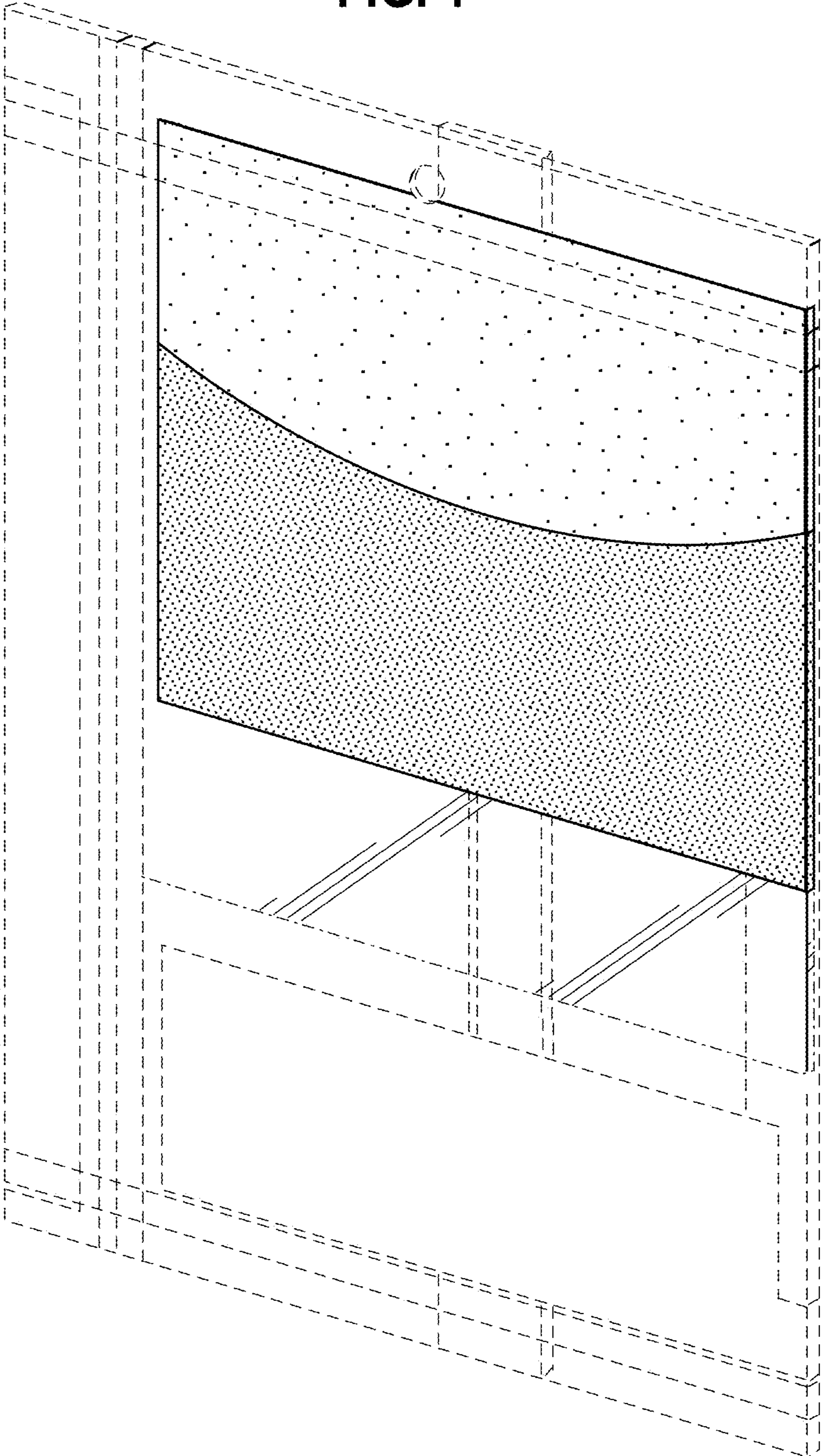


FIG. 2

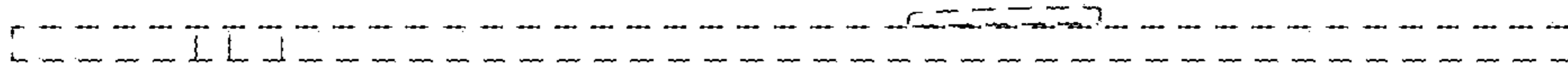


FIG. 3

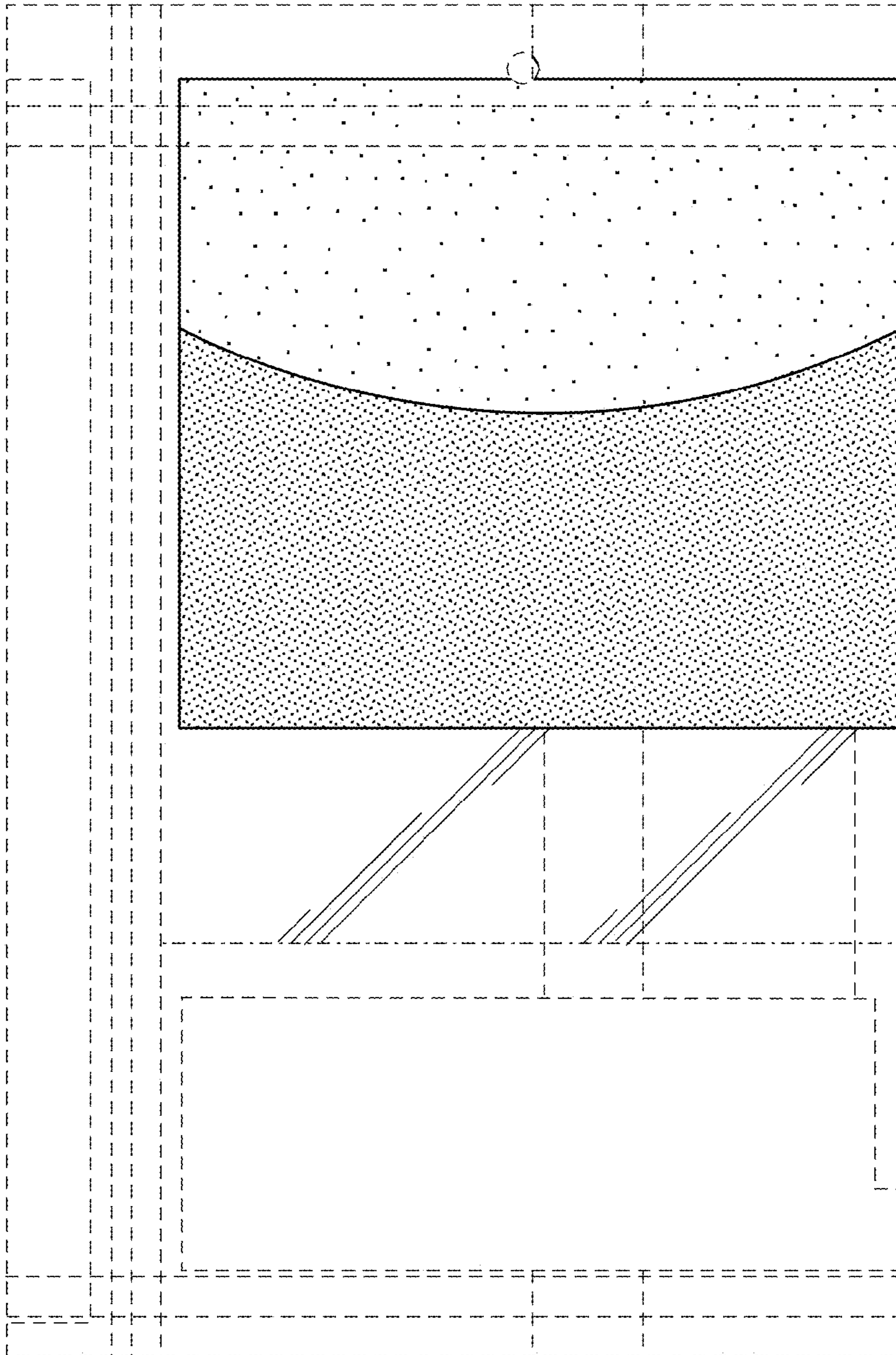


FIG. 4



FIG. 5

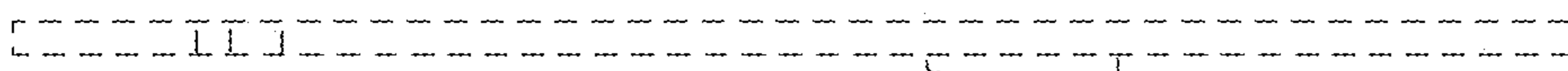


FIG. 6

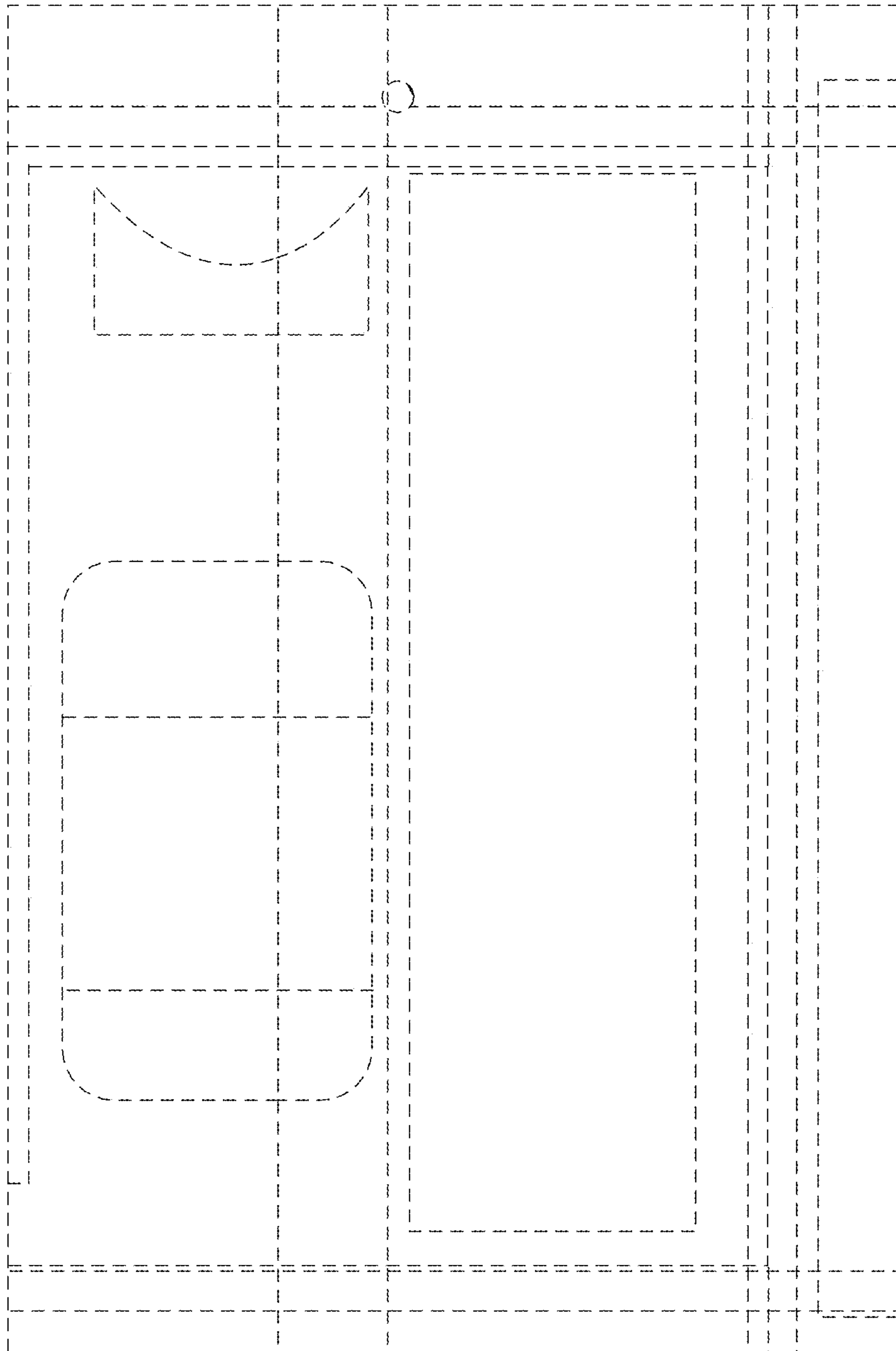


FIG. 7

