



US00D931730S

(12) **United States Design Patent** (10) **Patent No.:** **US D931,730 S**  
**Suid** (45) **Date of Patent:** **\*\* Sep. 28, 2021**

(54) **TUBE**  
(71) Applicant: **SAKSO**, Paris (FR)  
(72) Inventor: **Xavier Suid**, Le Pouliguen (FR)  
(73) Assignee: **SAKSO**, Paris (FR)  
(\*\*) Term: **15 Years**  
(21) Appl. No.: **35/509,078**  
(22) Filed: **Mar. 12, 2020**

D445,024 S \* 7/2001 Breidenbach ..... D9/504  
D555,835 S \* 11/2007 Song ..... D28/76  
D658,362 S \* 5/2012 Nassiri ..... D3/203.2  
D725,490 S \* 3/2015 Grosso ..... D9/726  
D749,420 S \* 2/2016 Kahlau ..... A61J 3/071  
D9/521  
D751,921 S \* 3/2016 Lam ..... D9/741  
9,456,990 B2 \* 10/2016 McInnes ..... A61J 3/071  
D801,584 S \* 10/2017 Hasegawa ..... D28/76  
D853,248 S \* 7/2019 Betts ..... D9/723  
D896,102 S \* 9/2020 Roesler ..... D9/711  
D900,609 S \* 11/2020 Block ..... D9/500  
D907,502 S \* 1/2021 Kilduff ..... A45C 11/00  
D9/504

(80) **Hague Agreement Data**  
Int. Filing Date: **Mar. 12, 2020**  
Int. Reg. No.: **DM/207020**  
Int. Reg. Date: **Mar. 12, 2020**  
Int. Reg. Pub. Date: **Apr. 17, 2020**

**FOREIGN PATENT DOCUMENTS**

CN 305668434 \* 3/2020  
CN 305955238 \* 7/2020  
GB 4035480 \* 6/2014  
KR 300702660 \* 7/2013

\* cited by examiner

(51) **LOC (13) Cl.** ..... **09-01**  
(52) **U.S. Cl.**  
USPC ..... **D9/504**; D9/711; D9/521  
(58) **Field of Classification Search**  
USPC ..... D9/428, 442, 444, 445, 454, 695, 696,  
D9/702, 711, 723, 724, 435, 447, 504,  
D9/521  
CPC ..... B65D 1/00; B65D 1/02; B65D 1/0223;  
B65D 23/00; B65D 51/32; B65D  
2501/00; B65D 2501/0009  
See application file for complete search history.

*Primary Examiner* — Keli L Hill

(74) *Attorney, Agent, or Firm* — Millen, White, Zelano & Branigan, P.C.; Ryan R. Pool

(57) **CLAIM**

The ornamental design for a tube, as shown and described.

**DESCRIPTION**

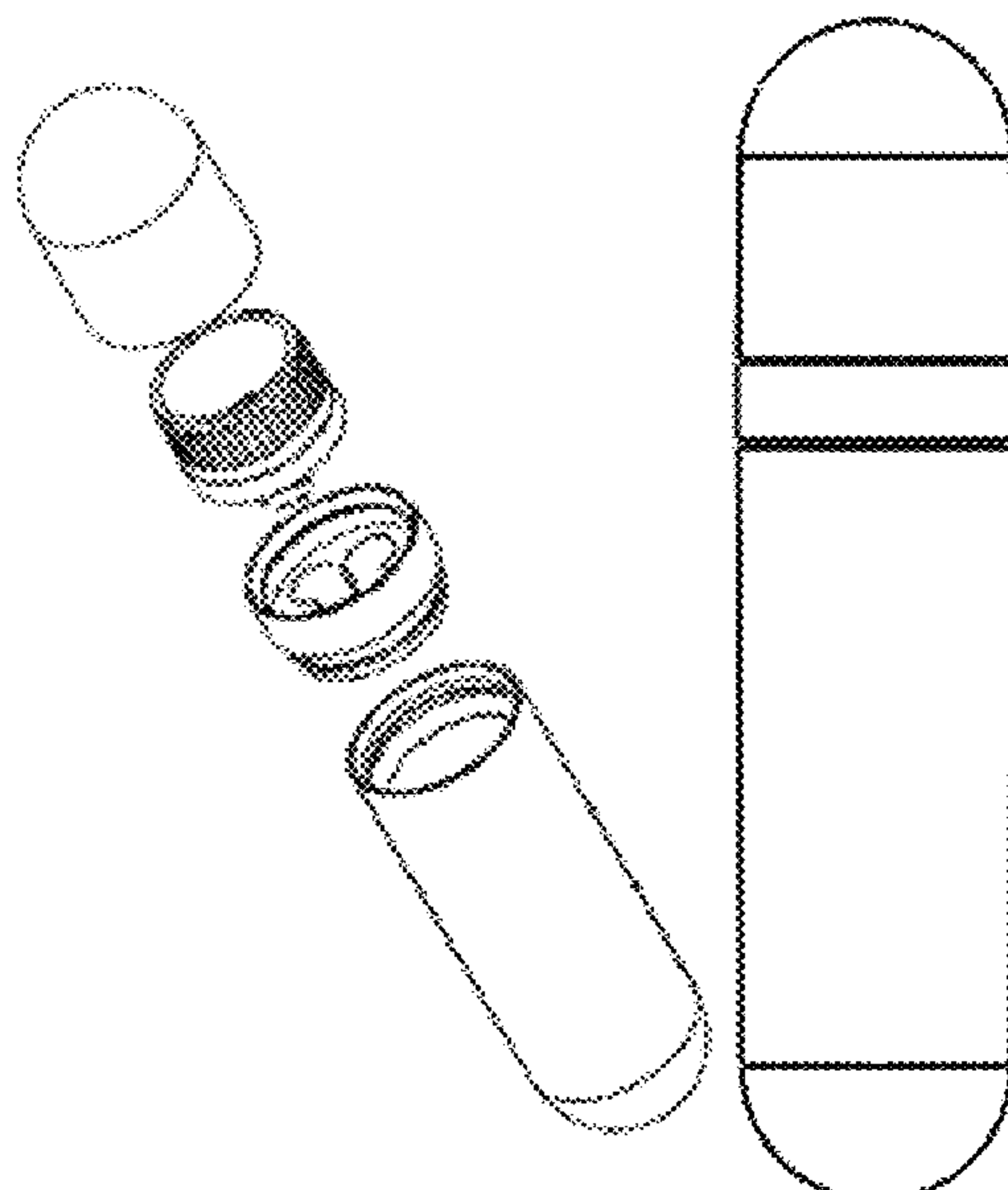
- 1. Tube
- 1.1 : Exploded perspective
- 1.2 : Front
- 1.3 : Left
- 1.4 : Top
- 1.5 : Bottom
- 1.6 : Exploded

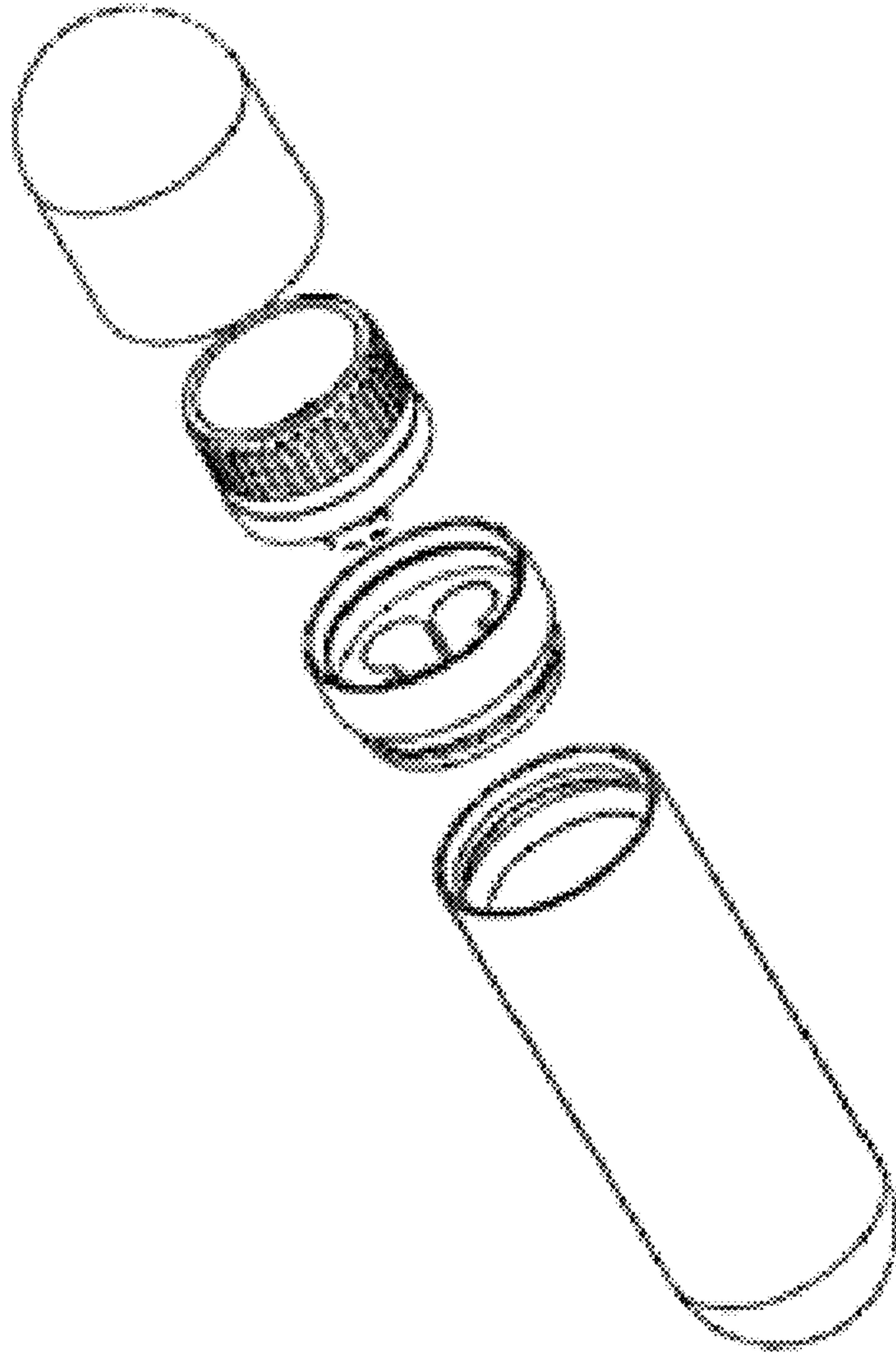
The broken lines in the drawings illustrate portions of the tube which form no part of the claimed design.

**1 Claim, 6 Drawing Sheets**

(56) **References Cited**  
U.S. PATENT DOCUMENTS

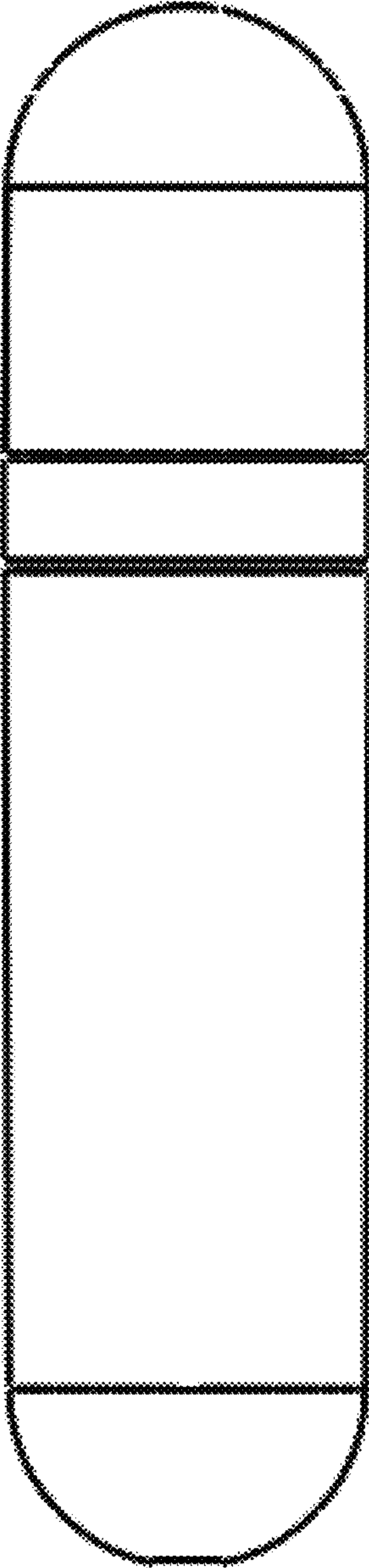
D259,440 S \* 6/1981 Martin ..... D24/224  
4,393,974 A \* 7/1983 Levesque ..... A45C 11/00  
206/37  
D287,570 S \* 1/1987 Olsen ..... D24/224  
D434,560 S \* 12/2000 Chao ..... D3/265  
D437,776 S \* 2/2001 Pullan ..... D9/648



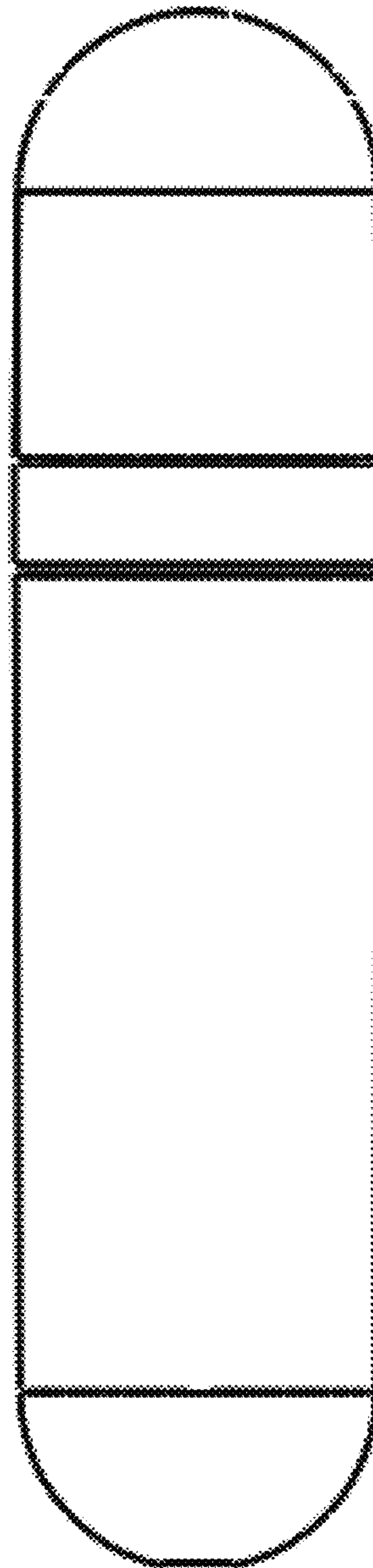


1.1

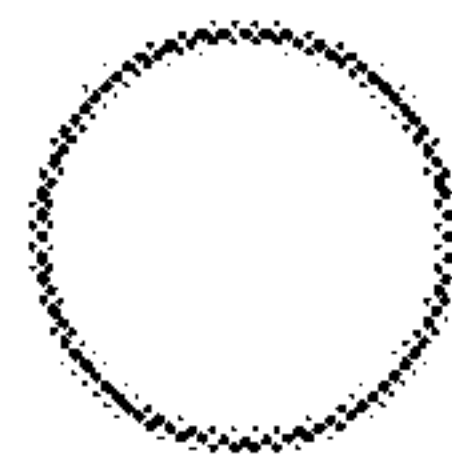
1.2



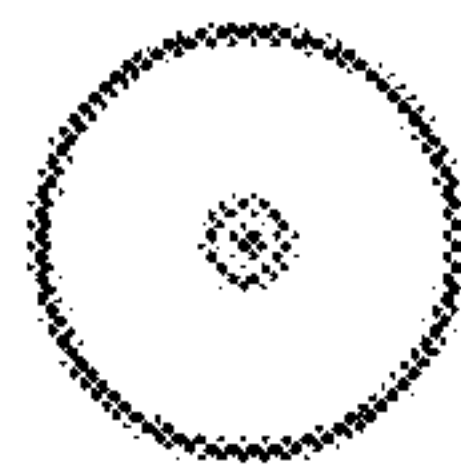
1.3

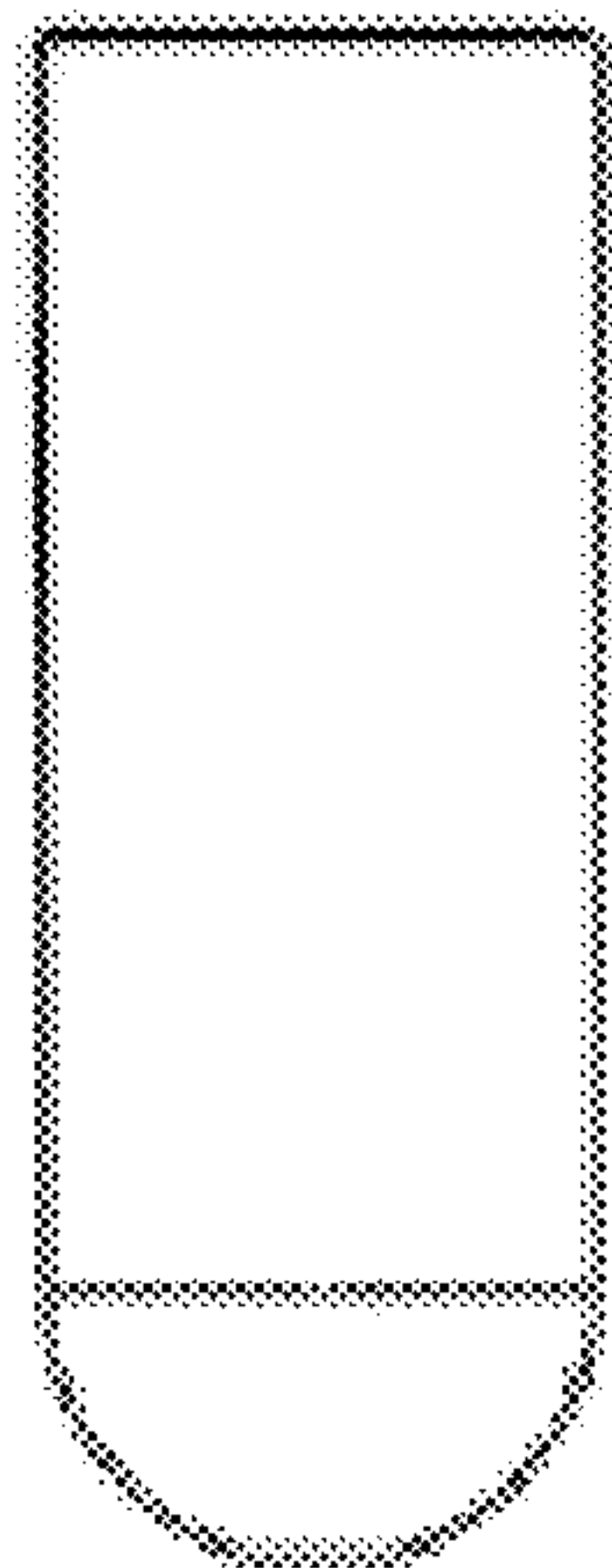
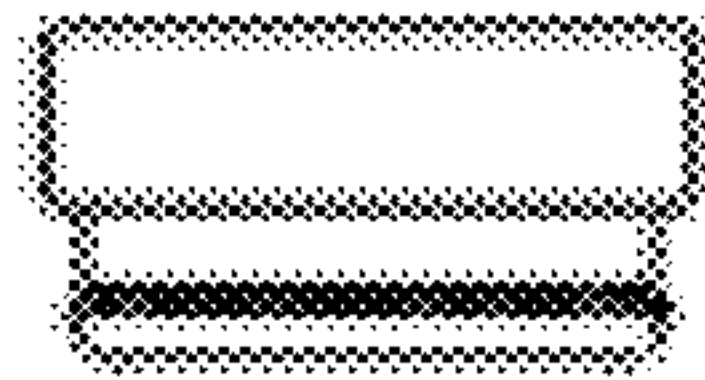
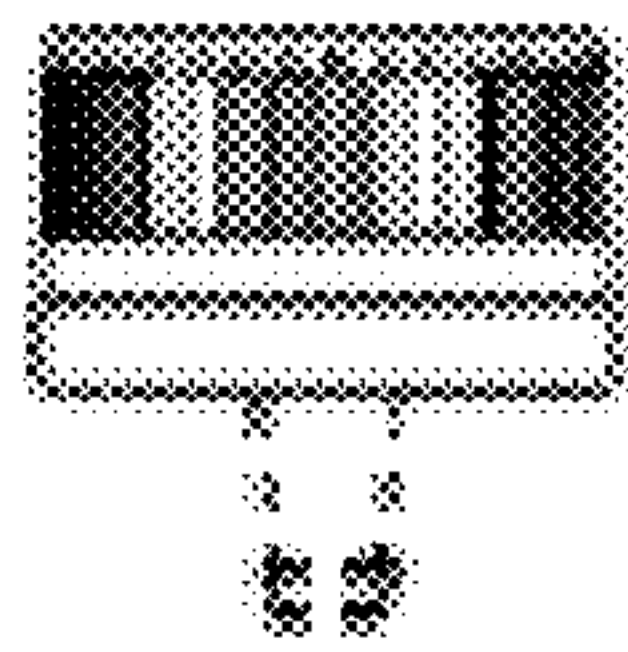
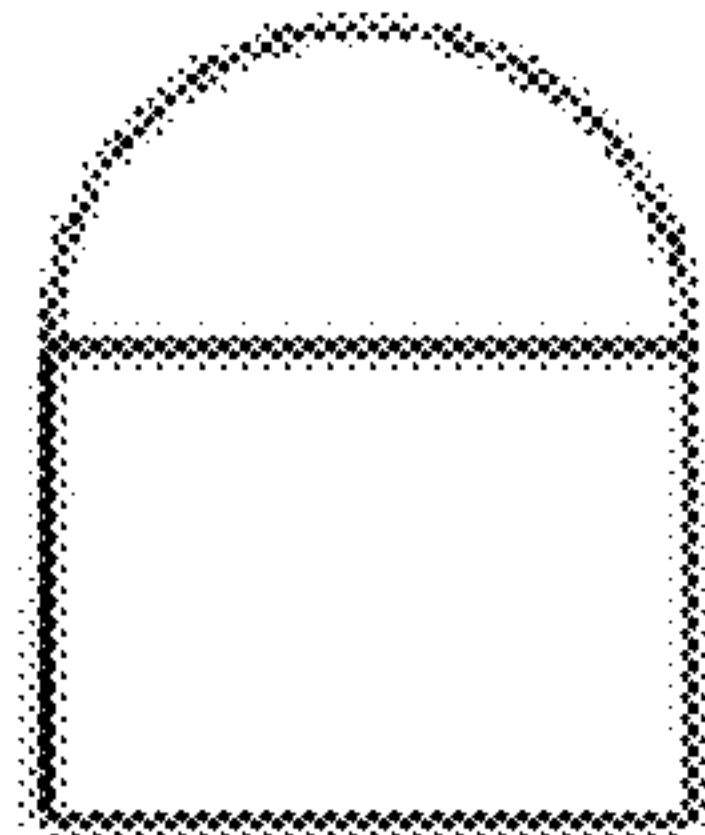


**1.4**



**1.5**





1.6