

US00D931729S

(12) **United States Design Patent**  
**Kubacki et al.**

(10) **Patent No.:** **US D931,729 S**

(45) **Date of Patent:** **\*\* Sep. 28, 2021**

(54) **BOTTLE**

(71) Applicant: **Kraft Foods Group Brands LLC**,  
Chicago, IL (US)

(72) Inventors: **Lindsey Kubacki**, Chicago, IL (US);  
**Jordan Yob**, Ada, MI (US); **Damien Moyal**, Ann Arbor, MI (US); **James M. Stelzer**, South Lyon, MI (US)

(73) Assignee: **Kraft Foods Group Brands LLC**,  
Chicago, IL (US)

(\*\*) Term: **15 Years**

(21) Appl. No.: **29/720,297**

(22) Filed: **Jan. 10, 2020**

(51) **LOC (13) Cl.** ..... **09-01**

(52) **U.S. Cl.**  
USPC ..... **D9/502**

(58) **Field of Classification Search**  
USPC ..... D9/434, 500, 502-503, 516, 530,  
D9/537-540, 549, 550, 557-558, 715,  
D9/719

CPC ..... B65D 1/00; B65D 1/02; B65D 1/0223;  
B65D 23/00; B65D 81/00; B65D  
2501/00; B65D 2501/0009; B65D  
2501/0018; B65D 2501/0036

See application file for complete search history.

(56) **References Cited**

**U.S. PATENT DOCUMENTS**

7,051,890 B2 \* 5/2006 Onoda ..... B65D 1/0223  
215/382  
7,296,701 B2 \* 11/2007 Ozawa ..... B65D 1/0223  
215/381

D611,345 S \* 3/2010 Bangi ..... D9/502  
D611,816 S \* 3/2010 Bangi ..... D9/502  
7,837,049 B2 \* 11/2010 Boukobza ..... B65D 1/0223  
215/381  
D641,244 S 7/2011 Bysick  
10,322,837 B2 6/2019 Bysick  
D917,293 S \* 4/2021 Chen ..... D9/550

\* cited by examiner

*Primary Examiner* — Dana Meyrow

(74) *Attorney, Agent, or Firm* — Fitch, Even, Tabin &  
Flannery LLP

(57) **CLAIM**

We claim the ornamental design for a bottle, as shown and described.

**DESCRIPTION**

FIG. 1 is a perspective view of a bottle showing our new design.

FIG. 2 is a top plan view thereof.

FIG. 3 is a front view thereof.

FIG. 4 is a left side view thereof.

FIG. 5 is a rear view thereof.

FIG. 6 is a right side view thereof; and,

FIG. 7 is a bottom plan view thereof.

The broken lines in the drawings illustrate portions of the bottle that form no part of the claim.

**1 Claim, 3 Drawing Sheets**

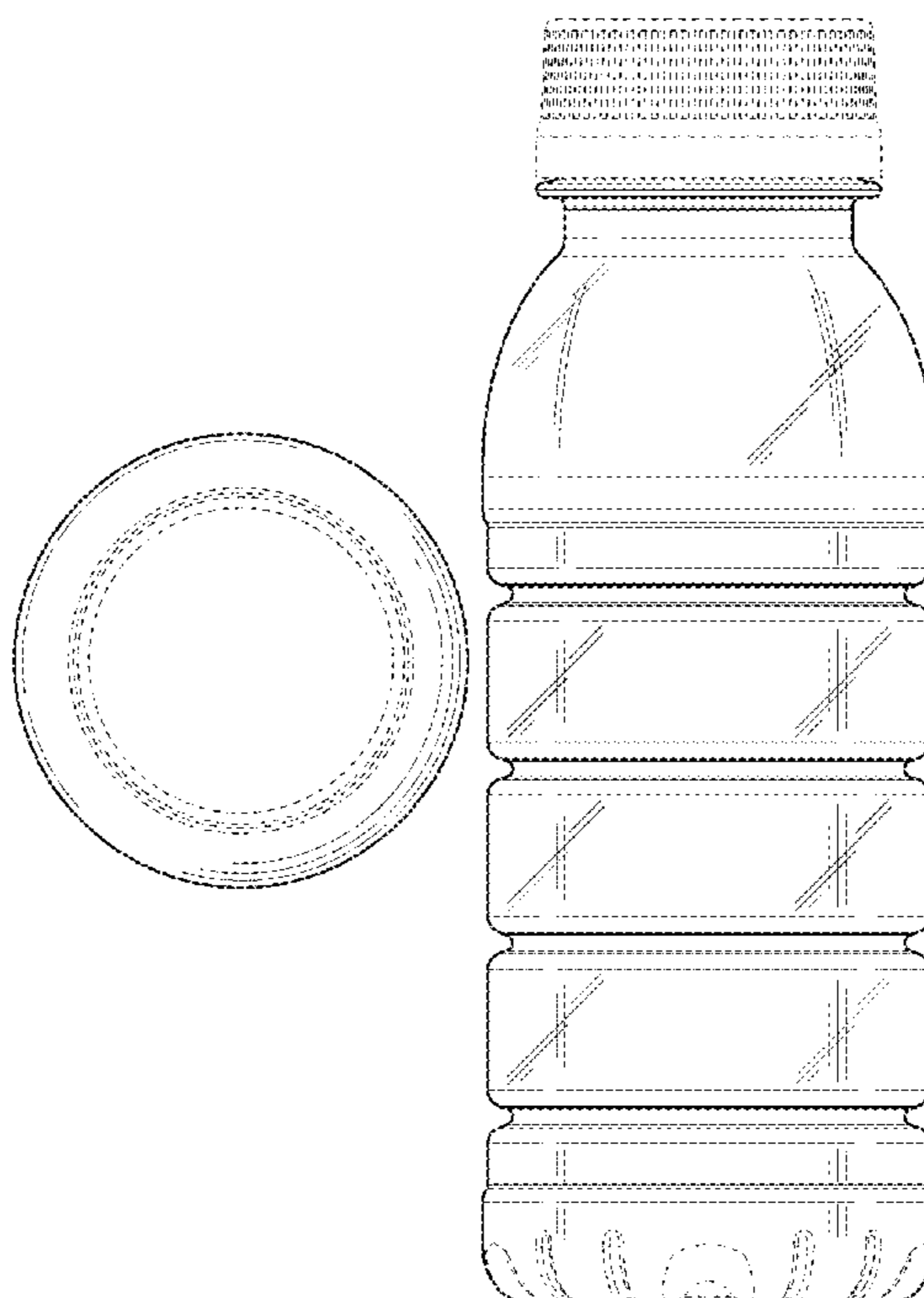
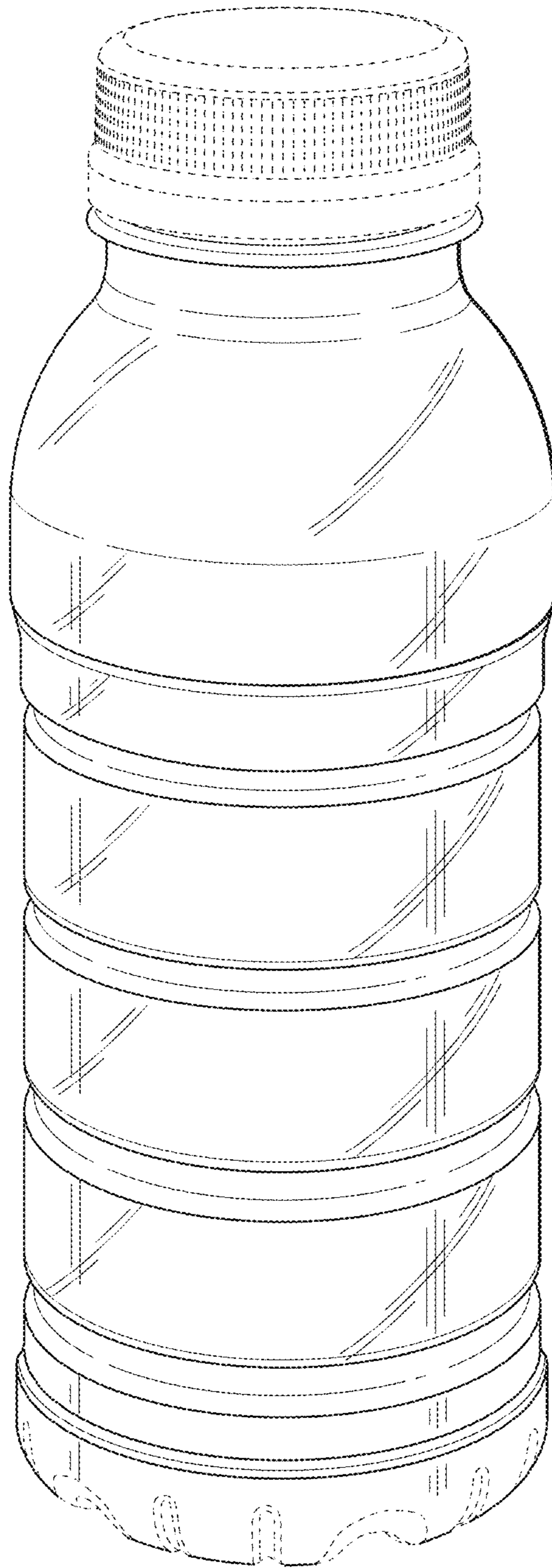
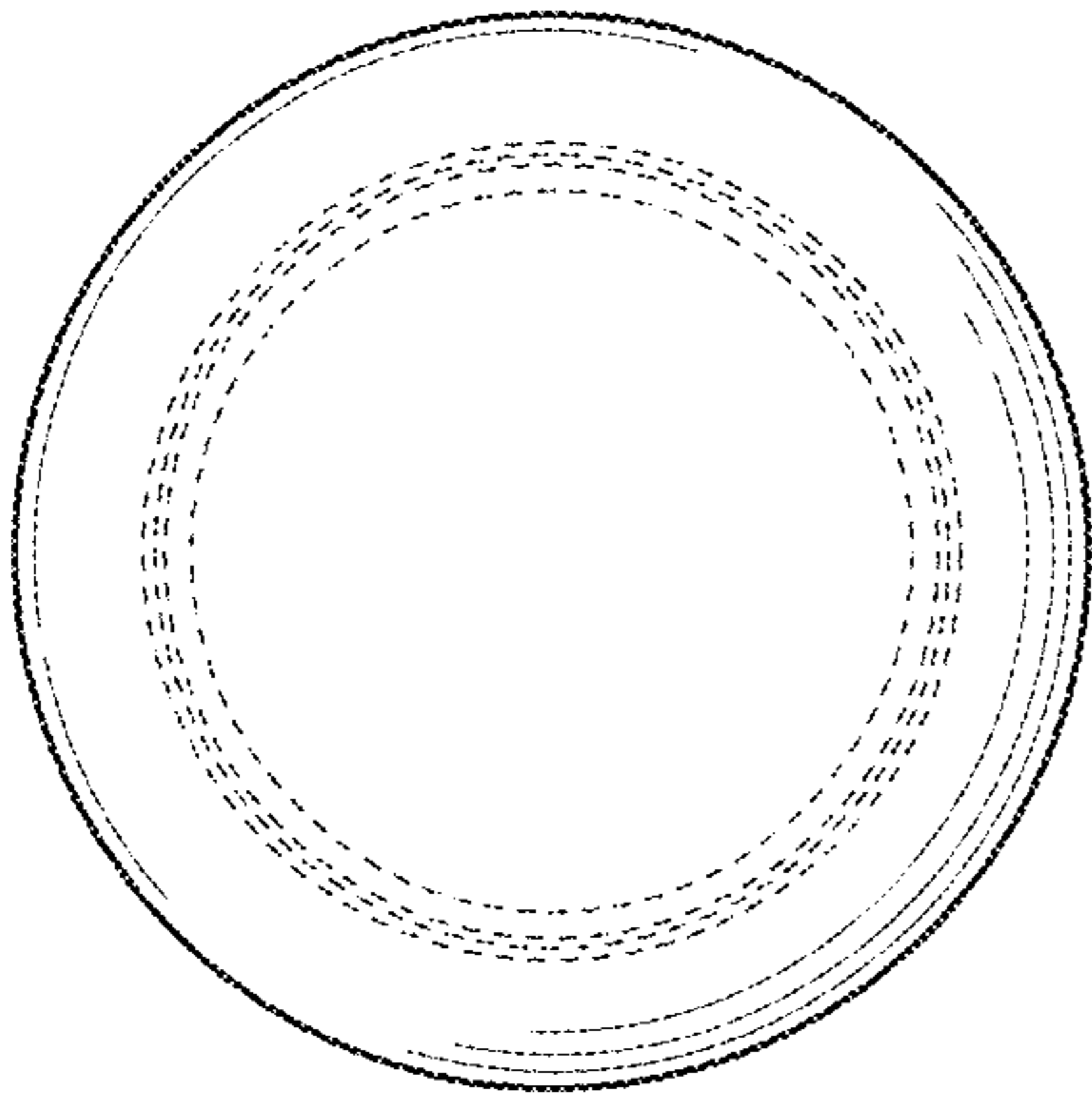


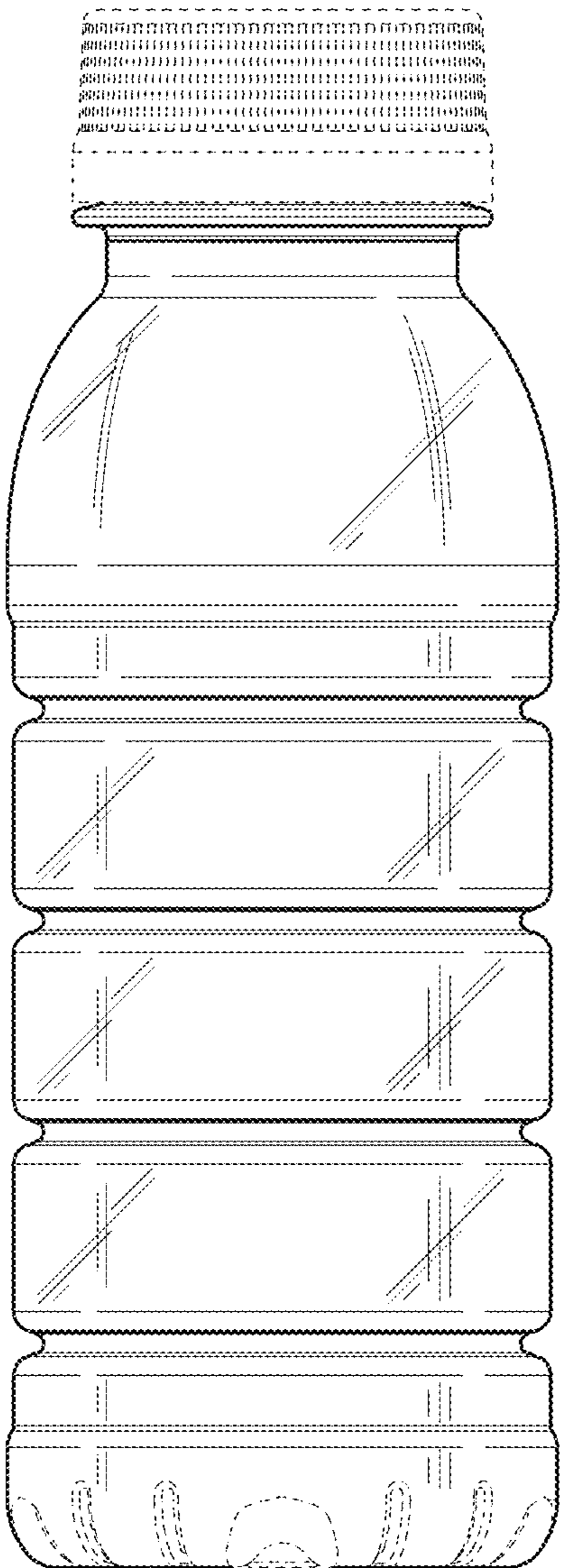
FIG. 1



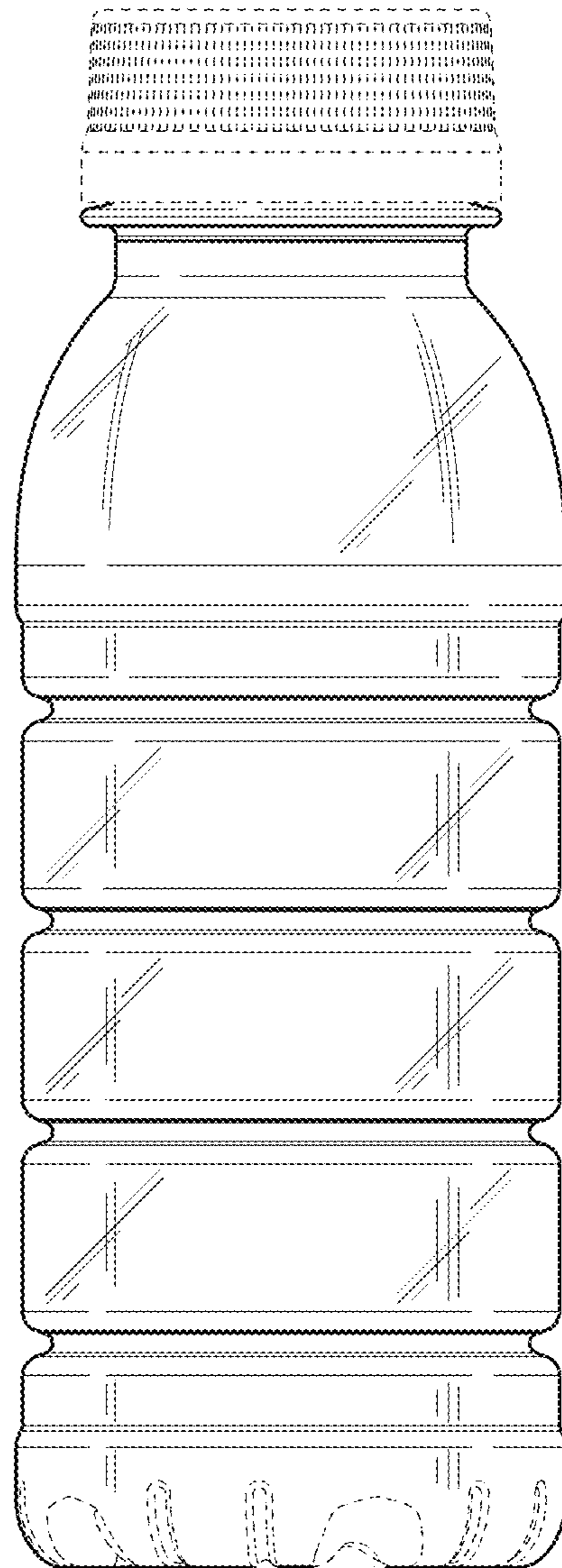
**FIG. 2**



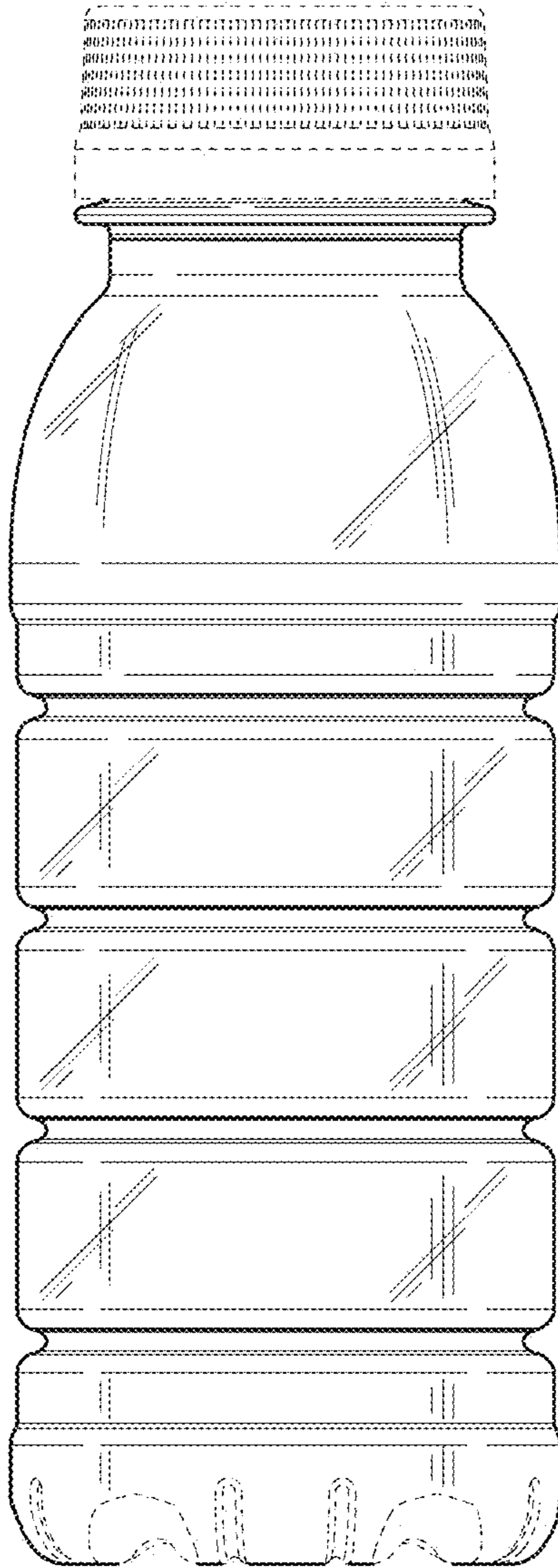
**FIG. 3**



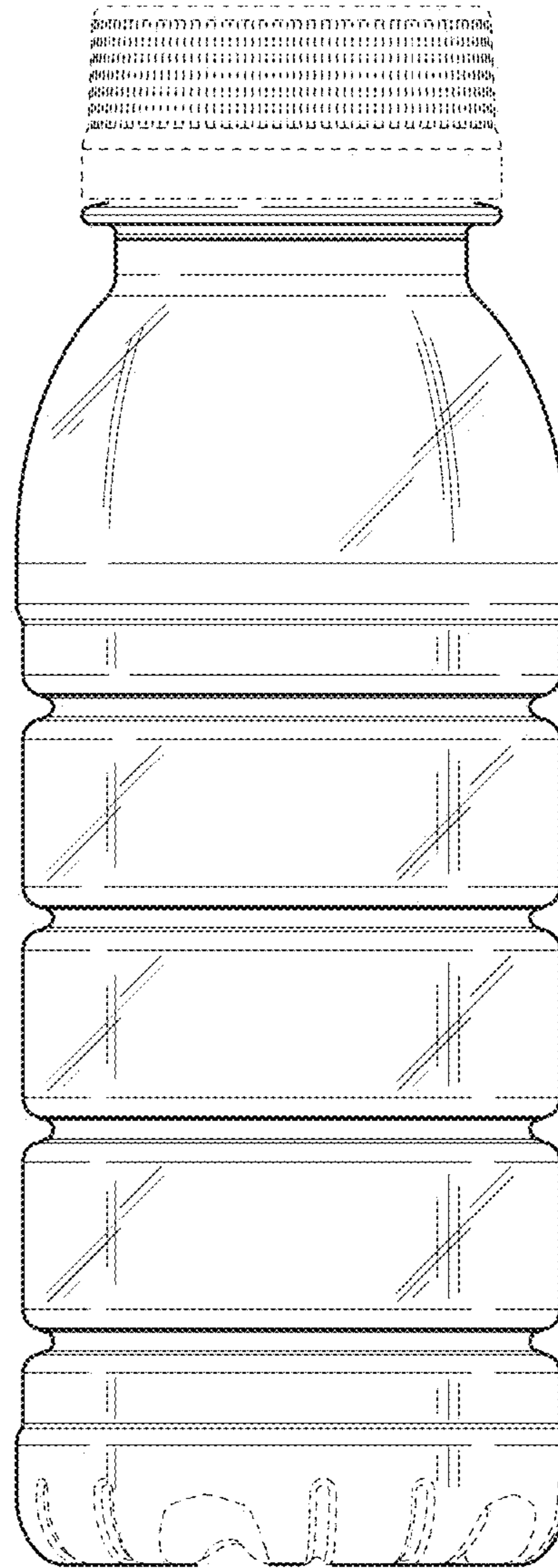
**FIG. 4**



**FIG. 5**



**FIG. 6**



**FIG. 7**

