



US00D931727S

(12) **United States Design Patent**
Kerwin

(10) **Patent No.:** **US D931,727 S**

(45) **Date of Patent:** **** *Sep. 28, 2021**

(54) **BOTTLE**

(71) Applicant: **Shawn Kerwin**, Santa Clarita, CA (US)

(72) Inventor: **Shawn Kerwin**, Santa Clarita, CA (US)

(73) Assignee: **Shawn Kerwin**, Victorville, CA (US)

(*) Notice: This patent is subject to a terminal disclaimer.

(**) Term: **15 Years**

(21) Appl. No.: **29/687,715**

(22) Filed: **Apr. 15, 2019**

(51) **LOC (13) Cl.** **09-01**

(52) **U.S. Cl.**
USPC **D9/500; D9/520**

(58) **Field of Classification Search**
USPC D9/434, 500, 503-505, 516, 520,
D9/544-545, 549, 558, 715, 719, 598
CPC B65D 1/00; B65D 1/02; B65D 1/0223;
B65D 23/00; B65D 81/00; B65D
2501/00; B65D 2501/0009
See application file for complete search history.

(56) **References Cited**

U.S. PATENT DOCUMENTS

D45,248 S * 2/1914 Whitney et al. D9/500
D118,500 S * 1/1940 Lewis D9/500
3,182,839 A * 5/1965 Hoag B65D 23/02
428/34.5

D266,650 S * 10/1982 Sarpaneva D7/317
D652,721 S * 1/2012 Pelkey D9/500
D668,955 S * 10/2012 Zuchetta D9/500
D675,098 S * 1/2013 Gonzalez Rodriguez D9/500
D799,968 S * 10/2017 Harris D9/500
D811,223 S * 2/2018 Lauret D9/500
D813,039 S * 3/2018 Lauret D9/500
D821,875 S * 7/2018 Miller D9/500
D824,764 S * 8/2018 Miller D9/500
D846,394 S * 4/2019 Jimenez D9/500
D856,813 S * 8/2019 Zamanian D9/613

OTHER PUBLICATIONS

“Oslo Apothek”, The Apothecary Shop; The Druggest Craft Line, Speakeasy, The Craft Secret Line, Saverglass website, Downloads: Thematic Leaflets, Saverglass Inc., retrieved Feb. 2016, select pages including 6-11, 16, 17, 28, 29, < <https://www.saverglass.com/en/downloads> >.*

* cited by examiner

Primary Examiner — Dana Meyrow

(57) **CLAIM**

The ornamental design for a bottle, as shown and described.

DESCRIPTION

FIG. 1 is a top perspective view of a bottle showing my new design.

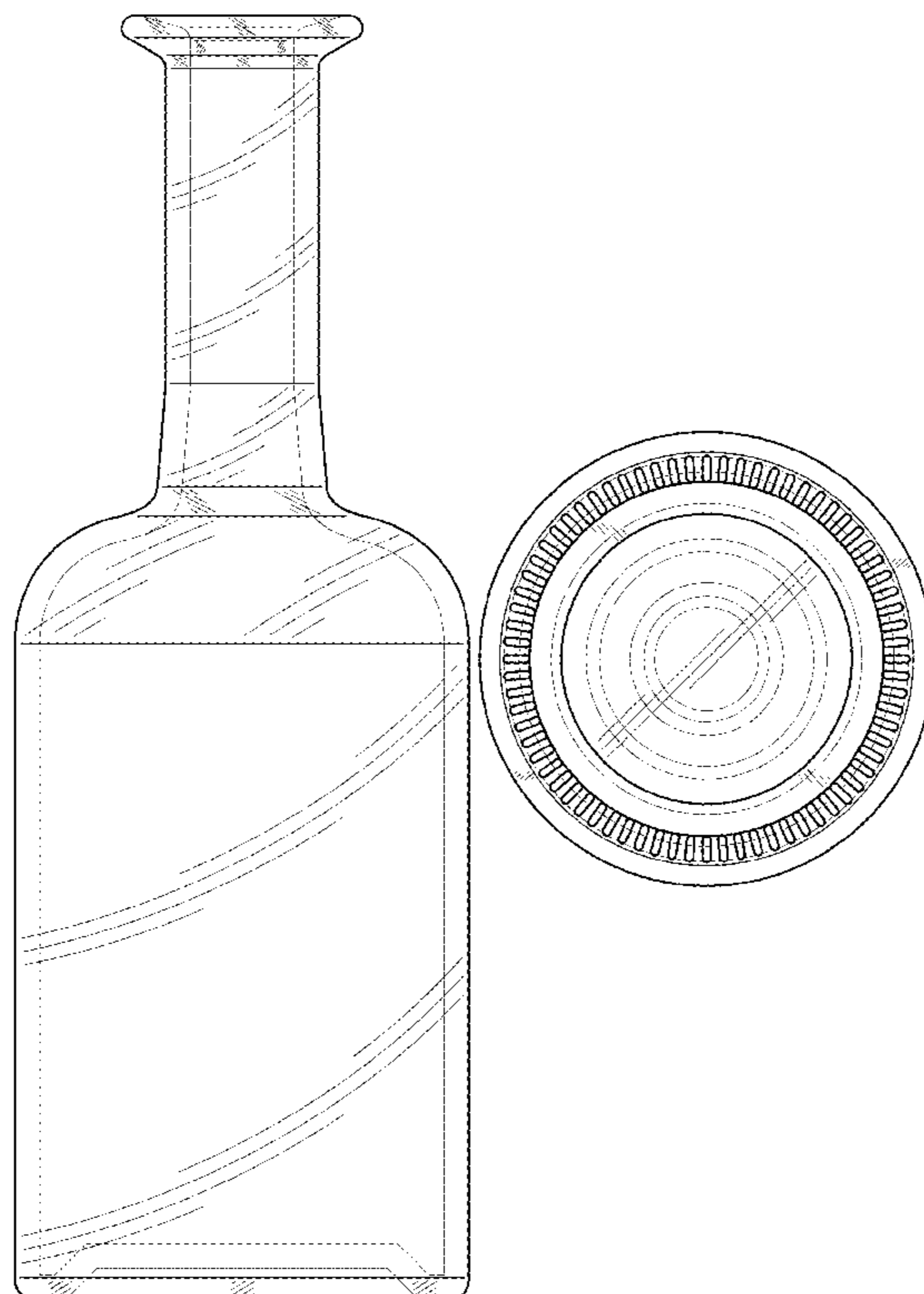
FIG. 2 is a front view thereof.

FIG. 3 is a top view thereof; and,

FIG. 4 is a bottom view thereof.

The shade lines in the drawings show contour and do not claim surface ornamentation or treatment.

1 Claim, 3 Drawing Sheets



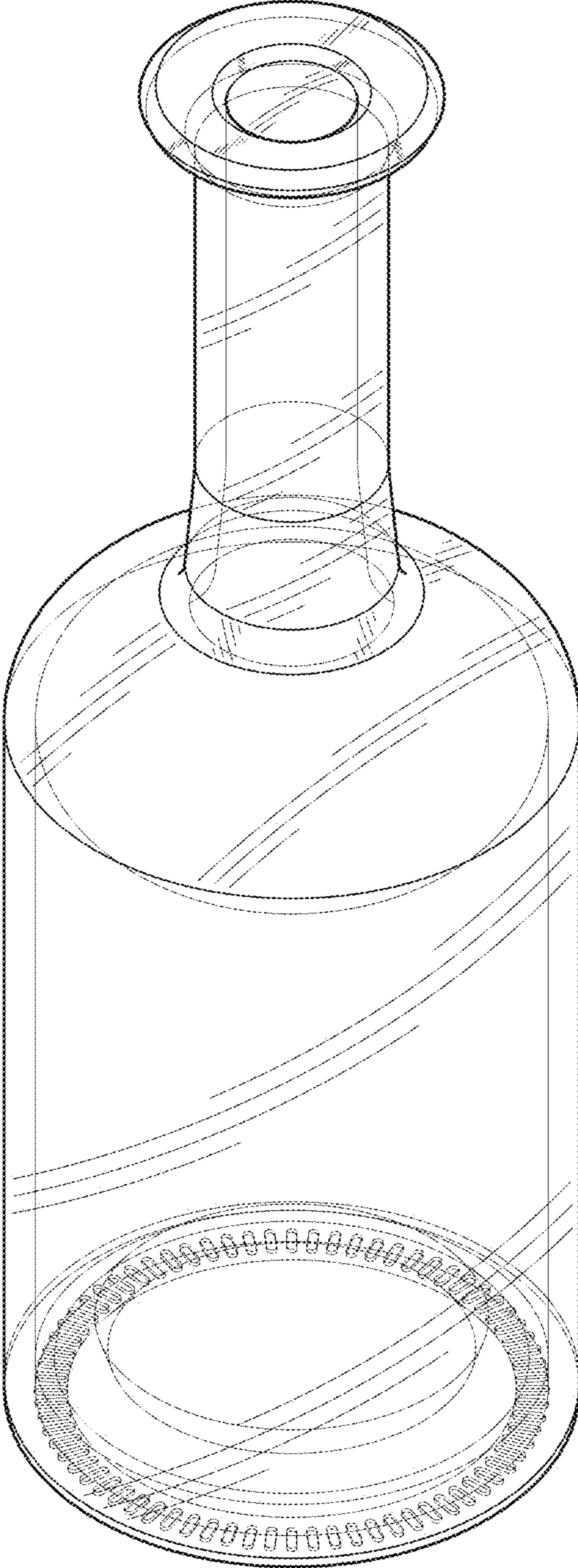


Fig. 1

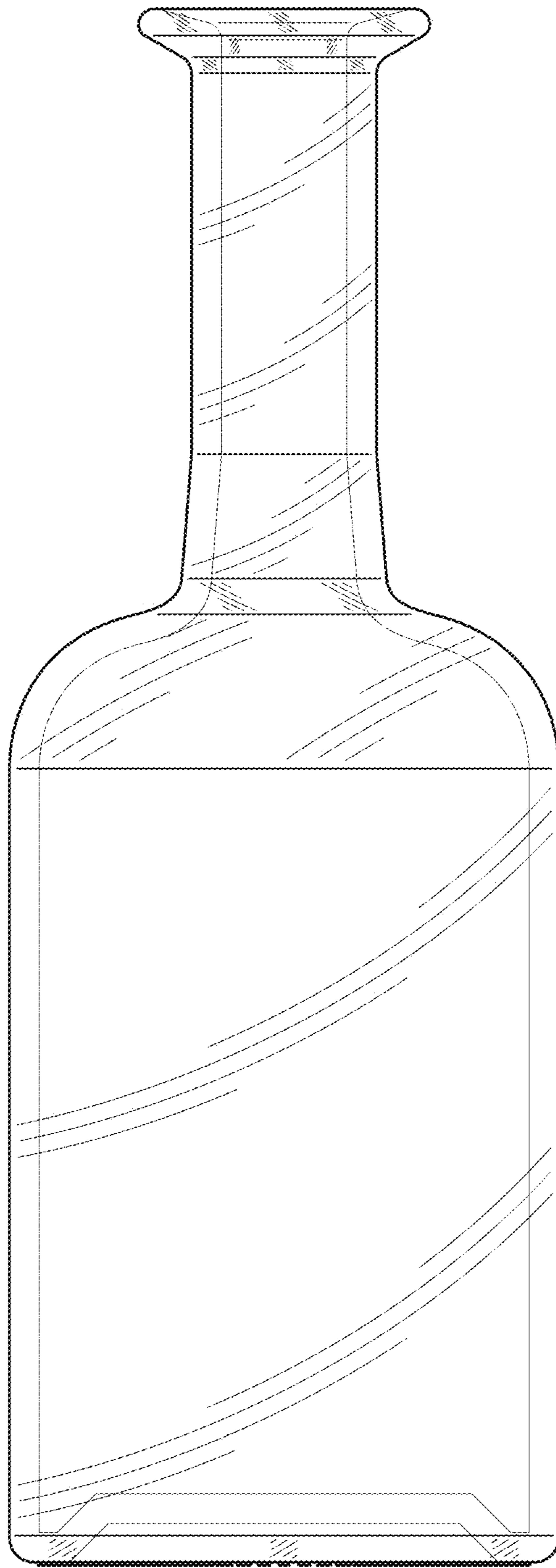


Fig. 2

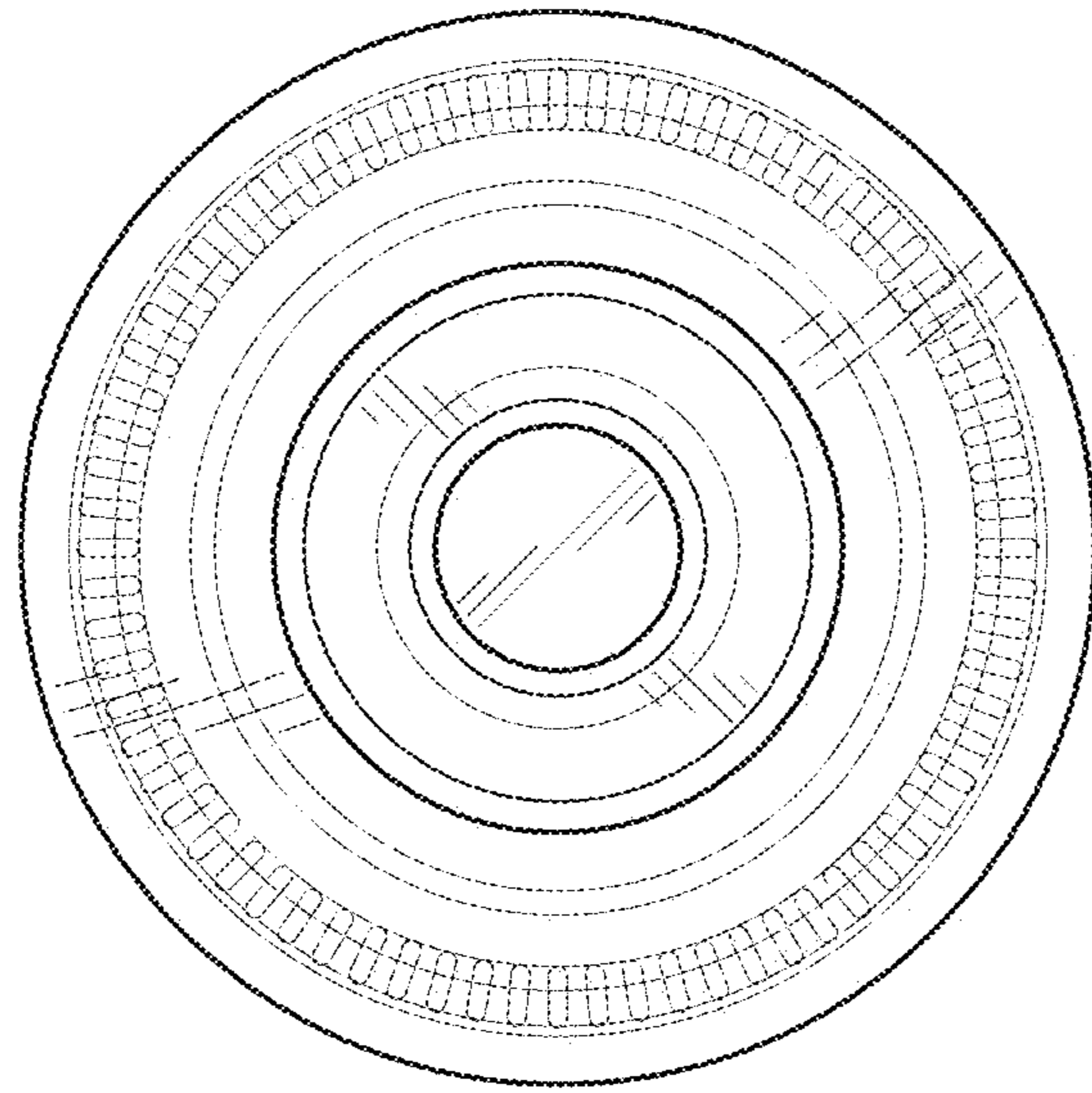


Fig. 3

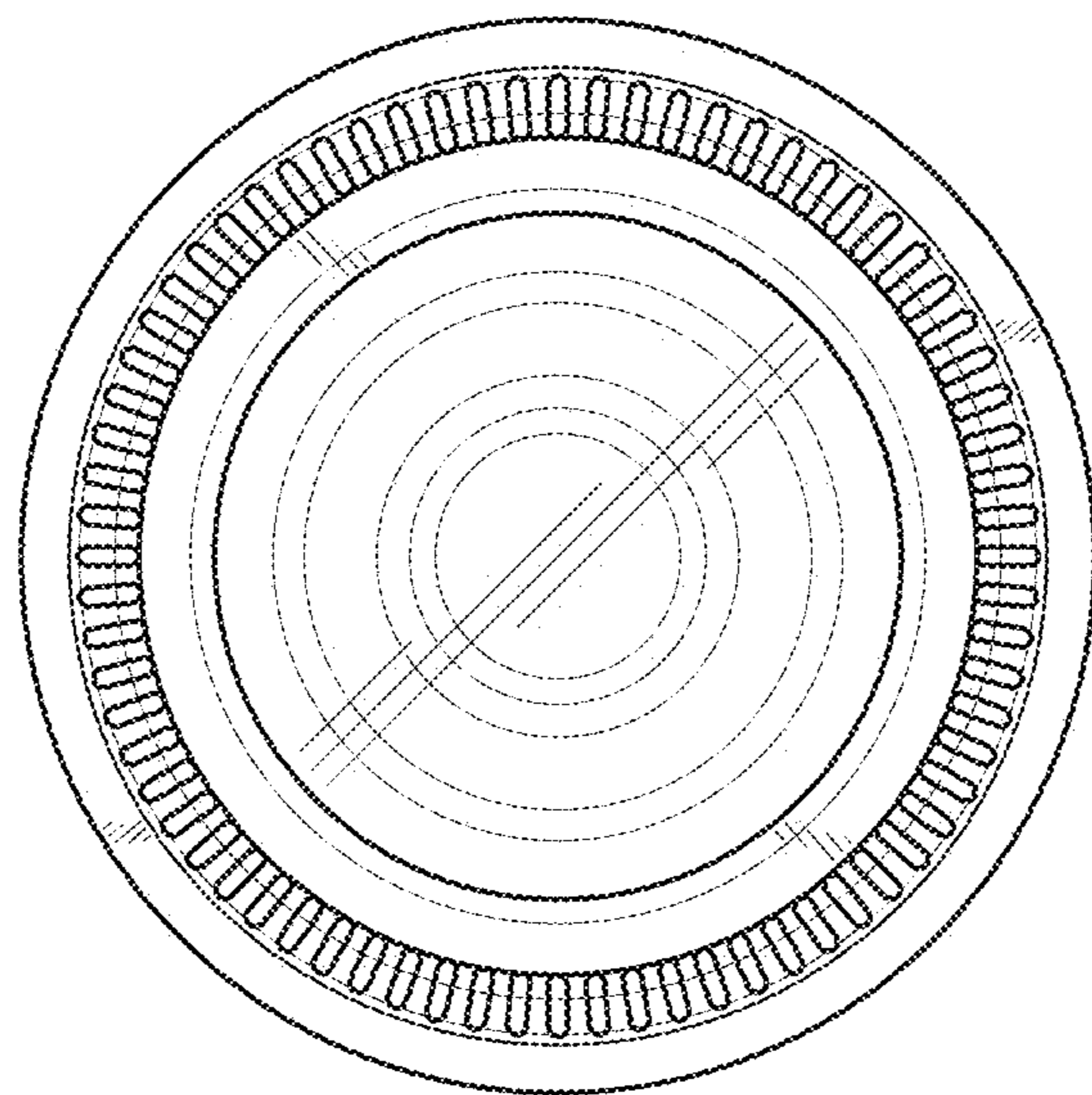


Fig. 4