



US00D931726S

(12) **United States Design Patent** (10) **Patent No.:** **US D931,726 S**
Katano et al. (45) **Date of Patent:** **** Sep. 28, 2021**

(54) **MAIN BODY OF PUMP DISPENSER**

(71) Applicant: **Kao Corporation**, Tokyo (JP)
(72) Inventors: **Machiko Katano**, Tokyo (JP); **Tomohisa Hirata**, Tokyo (JP); **Hiroshi Onishi**, Tokyo (JP)
(73) Assignee: **Kao Corporation**, Tokyo (JP)
(**) Term: **15 Years**
(21) Appl. No.: **29/700,003**
(22) Filed: **Jul. 30, 2019**

(30) **Foreign Application Priority Data**

Jan. 31, 2019 (JP) JP2019-001890

(51) **LOC (13) Cl.** **09-07**

(52) **U.S. Cl.**
USPC **D9/448**

(58) **Field of Classification Search**
USPC D9/682-694, 695, 723, 724, 729, 434, D9/435, 436, 439, 440, 448, 449;
(Continued)

(56) **References Cited**

U.S. PATENT DOCUMENTS

2,812,113 A * 11/1957 Beall, Jr. B65D 47/06
222/111
4,406,301 A * 9/1983 Cerrato B67D 1/0832
137/212

(Continued)

FOREIGN PATENT DOCUMENTS

JP D1047549 8/1999
JP D1390529 6/2010

(Continued)

OTHER PUBLICATIONS

Combined Taiwanese Notice of Allowance and Search Report dated Feb. 19, 2020 in Taiwanese Patent Application No. 108304545 (with English translation of Category of Cited Documents), 5 pages.

(Continued)

Primary Examiner — Catherine S Posthauer
(74) *Attorney, Agent, or Firm* — Oblon, McClelland, Maier & Neustadt, L.L.P.

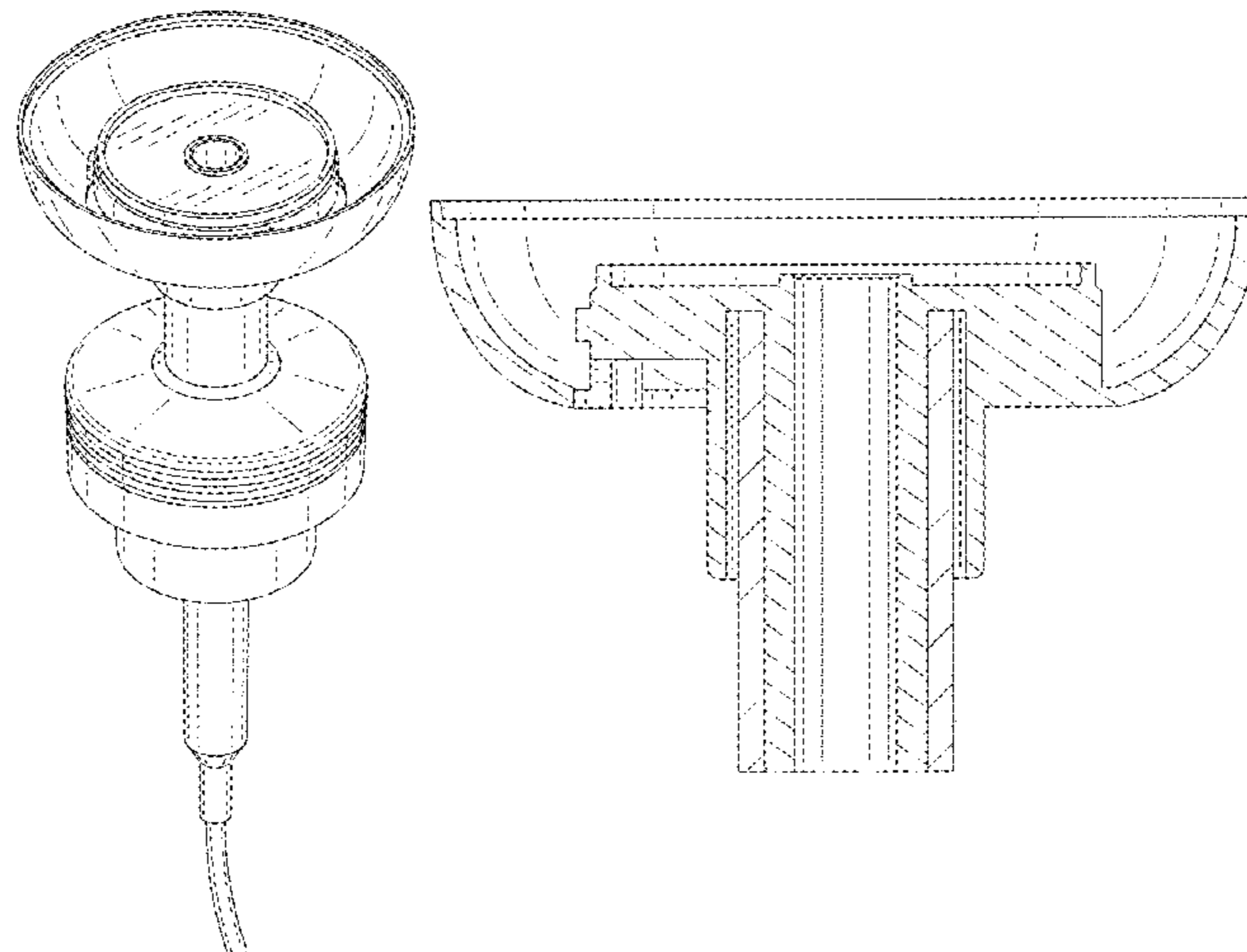
(57) **CLAIM**

The ornamental design for a main body of pump dispenser, as shown and described.

DESCRIPTION

FIG. 1 is a front, right side, top perspective view of a main body of pump dispenser showing our new design thereof; FIG. 2 is a front elevational view thereof; FIG. 3 is a rear elevational view thereof; FIG. 4 is a left side view thereof; FIG. 5 is a right side view thereof; FIG. 6 is a top plan view thereof; FIG. 7 is a bottom plan view thereof; FIG. 8 is an enlarged-scale cross-sectional view thereof, taken in the direction of line 8-8 of FIG. 2; FIG. 9 is an enlarged-scale cross-sectional view thereof, taken within and in the direction of line 9-9 of FIG. 2; FIG. 10 is a side view thereof, shown in an exploded environment of use with an exemplary ring for pump dispenser; FIG. 11 is a side view thereof, shown in an assembled environment of use with an exemplary ring for pump dispenser; and, FIG. 12 is a partially enlarged bottom plan view thereof, taken within an area of arrows 12-12 of FIG. 7. The evenly broken lines are shown for the purpose of illustrating environmental subject matter of an exemplary ring for pump dispenser that form no part of the claim. The dot-dash lines represent the designation of enlargement views as well as the designation of cross sectional views and form no part of the claim.

1 Claim, 11 Drawing Sheets



(58) **Field of Classification Search**

USPC .. D7/300.2, 312, 313, 387, 391, 392, 392.1,
 D7/396.1, 396.2, 397, 398; D23/213,
 D23/214, 218, 221, 223, 224, 226, 227,
 D23/233, 255, 259; D28/91.1; D24/112,
 D24/113, 115, 127, 133, 193, 194, 196,
 D24/199, 222
 CPC ... B65D 1/00; B65D 1/02; B65D 1/10; B65D
 1/46; B65D 39/00; B65D 39/0047; B65D
 2585/56; B65D 2585/545; B65D 47/00;
 B65D 47/06; B65D 47/08; B65D 41/00;
 B65D 41/38; B65D 41/56; B65D 41/62;
 B65D 5/46; A61N 5/0603; A61M 11/02;
 A61M 11/006; A61J 1/00; A61J 1/1412;
 B05B 7/065; B05B 11/3045; B05B
 11/3046; B05B 7/0037; B05B 1/02;
 A47K 5/16; A47K 5/1205; A47K 5/1217;
 A47K 5/14

See application file for complete search history.

(56) **References Cited**

U.S. PATENT DOCUMENTS

D295,374 S * 4/1988 Crutchlow D9/435
 D318,427 S * 7/1991 Sherburne, Jr. D9/436
 D326,503 S * 5/1992 Ipsen D23/233
 D352,900 S * 11/1994 Nhan D9/436
 D353,096 S * 12/1994 Albertson D9/440
 D389,020 S * 1/1998 LaJoie D7/555
 D429,111 S * 8/2000 Busick D7/397
 6,179,146 B1 * 1/2001 Betras B65D 21/0204
 215/229
 D437,781 S * 2/2001 Beaver D9/434
 D445,335 S * 7/2001 Hou D9/436
 D448,974 S * 10/2001 Hydak D7/387

D465,387 S * 11/2002 DuBow D7/700
 D499,315 S * 12/2004 Settele D7/700
 D573,017 S * 7/2008 Henderson D9/436
 D595,990 S * 7/2009 Rothberg D7/300.2
 D596,440 S * 7/2009 Rothberg D7/300.2
 D699,837 S * 2/2014 Ericsson D24/112
 D731,240 S * 6/2015 Bell D7/392.1
 D755,347 S * 5/2016 Jenne D23/233
 D787,325 S * 5/2017 Young D9/448
 D808,802 S * 1/2018 Seiders D9/440
 D850,489 S 6/2019 Charriere
 2010/0308083 A1 * 12/2010 Taylor B67D 1/0857
 222/333
 2012/0104048 A1 * 5/2012 Tseng B05B 7/0037
 222/190
 2018/0297040 A1 * 10/2018 Hirata B05B 11/3046
 2019/0380742 A1 * 12/2019 Hall A61B 17/3423
 2020/0170883 A1 * 6/2020 Oh A61J 1/1462

FOREIGN PATENT DOCUMENTS

JP D1556722 S 8/2016
 JP 2018193128 A * 12/2018 A47L 13/00
 JP D1620909 12/2018
 JP D1623912 2/2019
 JP D1627385 3/2019
 JP 2019172313 A * 10/2019
 TW 097638 3/1988
 TW 298509 2/1997
 TW 309316 6/1997
 TW D193603 10/2018

OTHER PUBLICATIONS

Office Action issued in Japanese Design Patent Application No.
 2019-001890 dated May 10, 2019 with English translation.

* cited by examiner

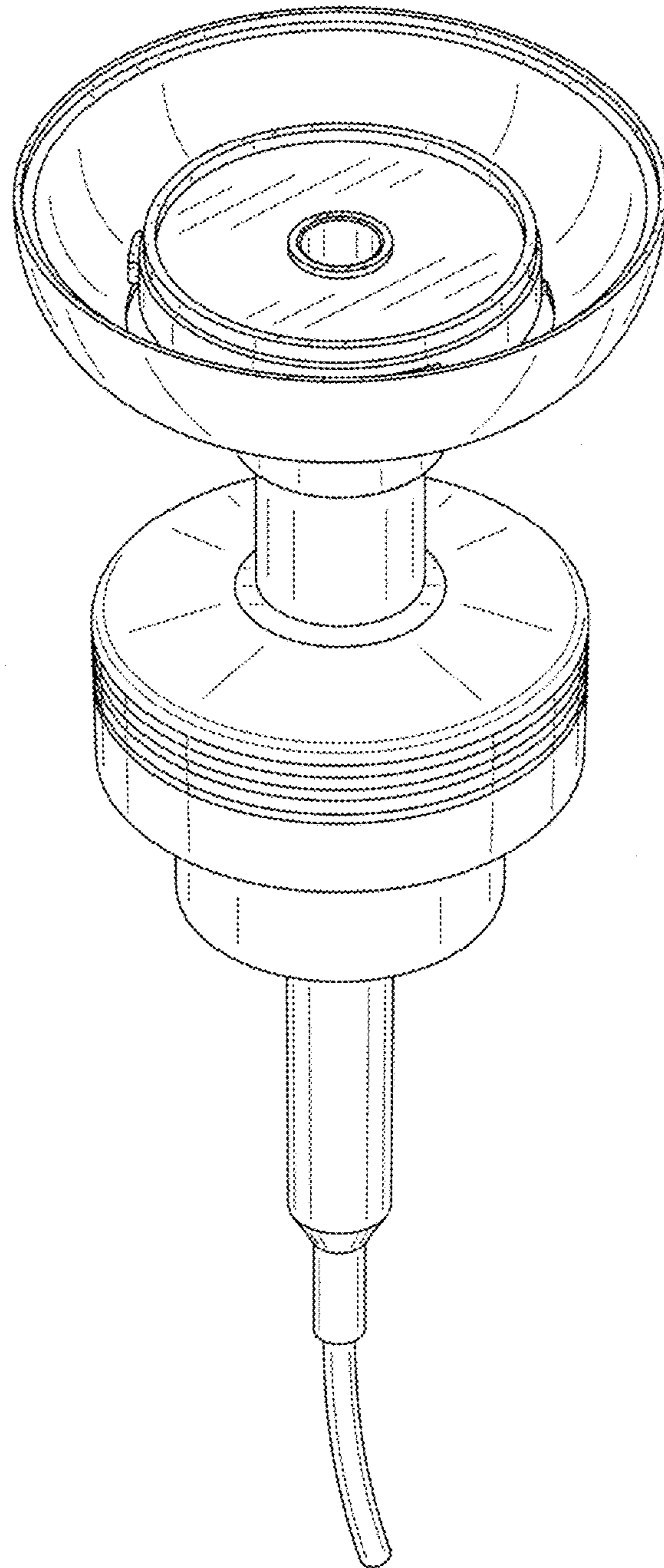


FIG. 1

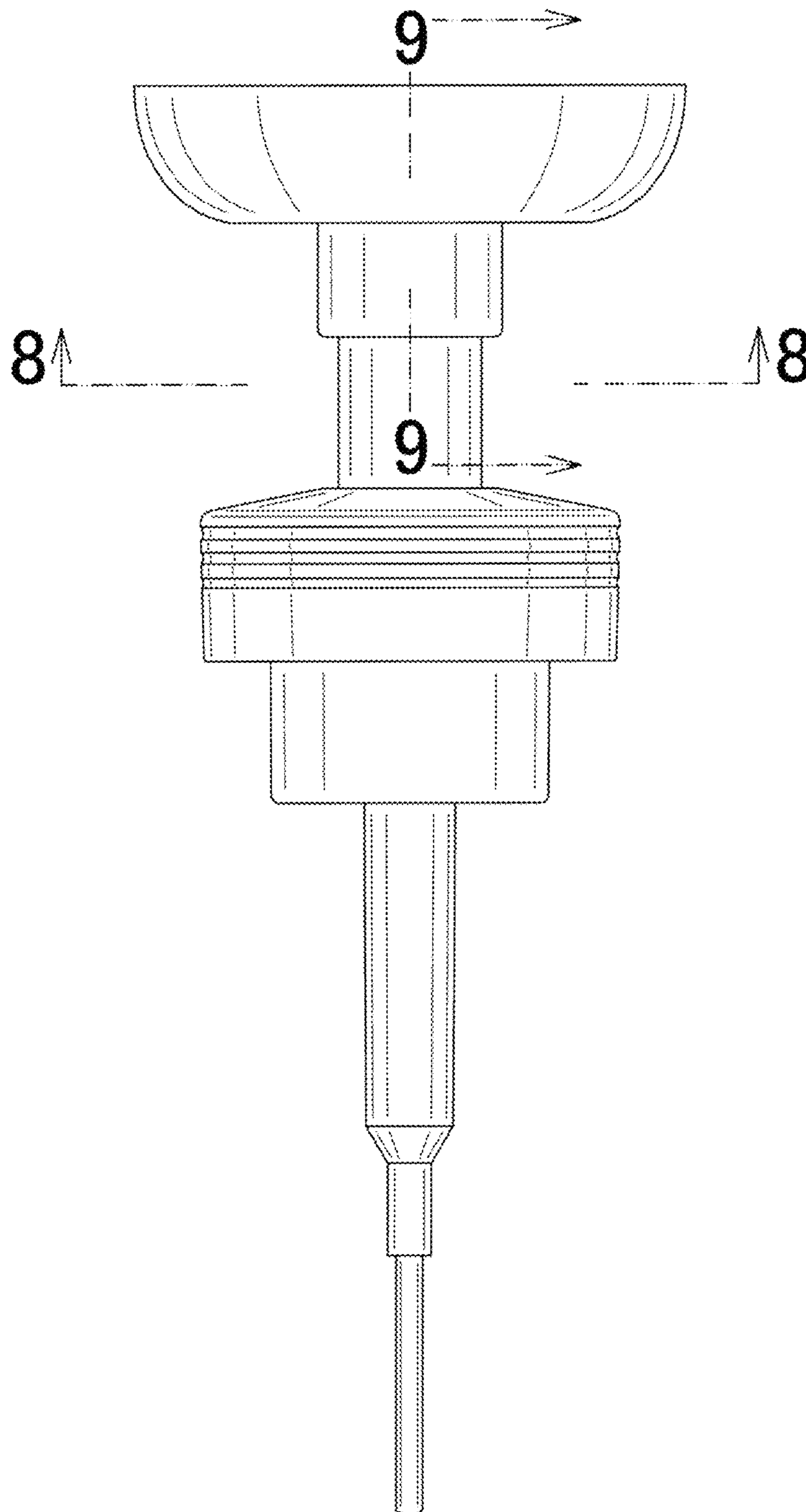


FIG. 2

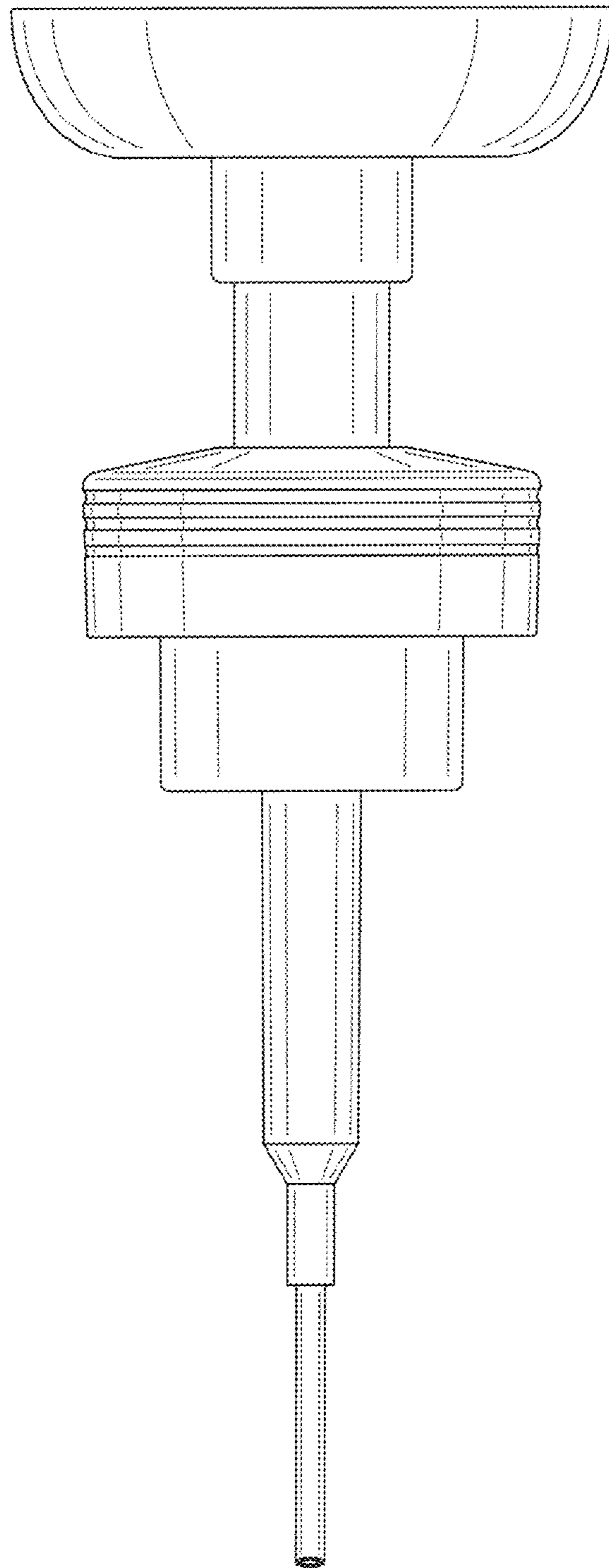


FIG. 3

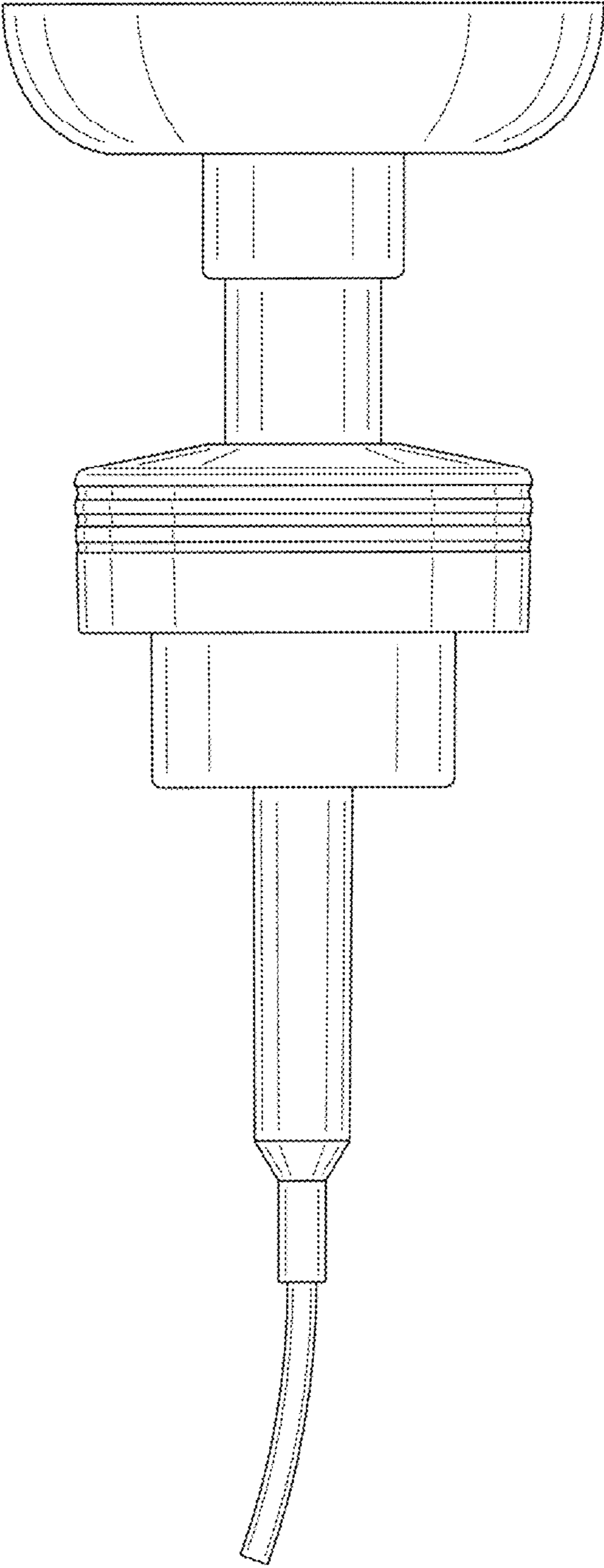


FIG. 4

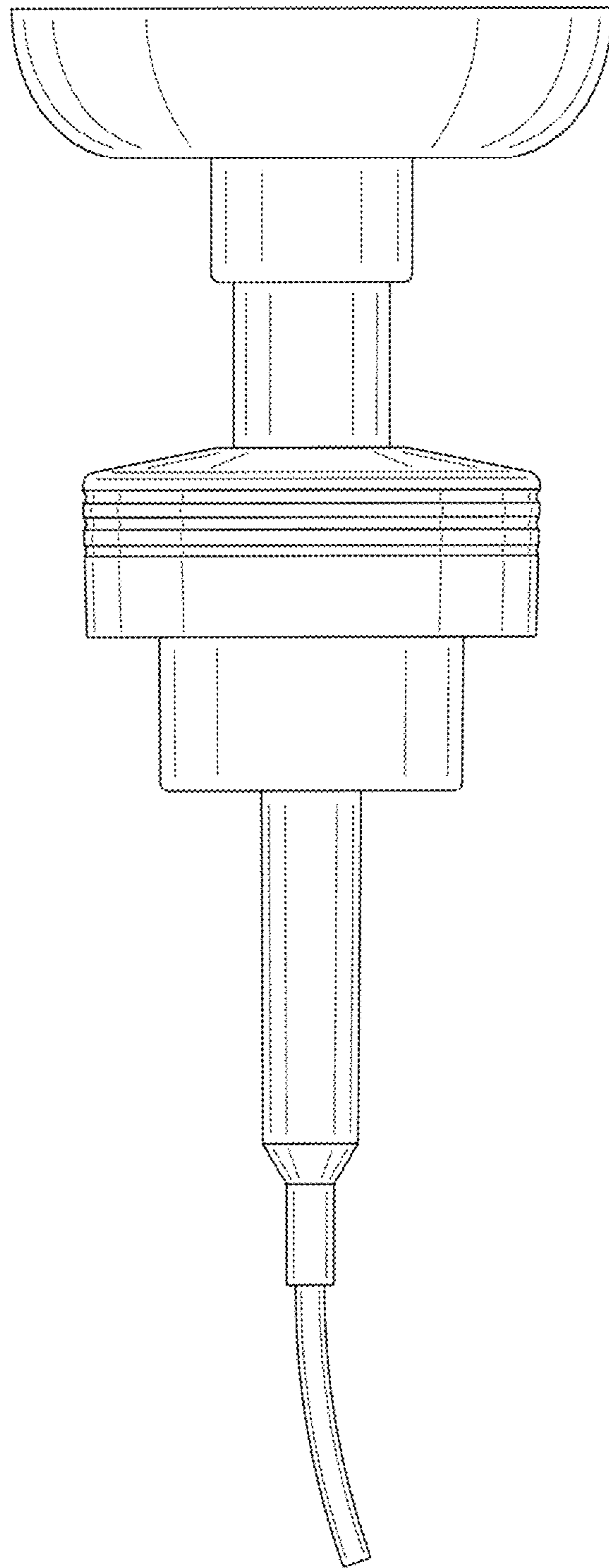


FIG. 5

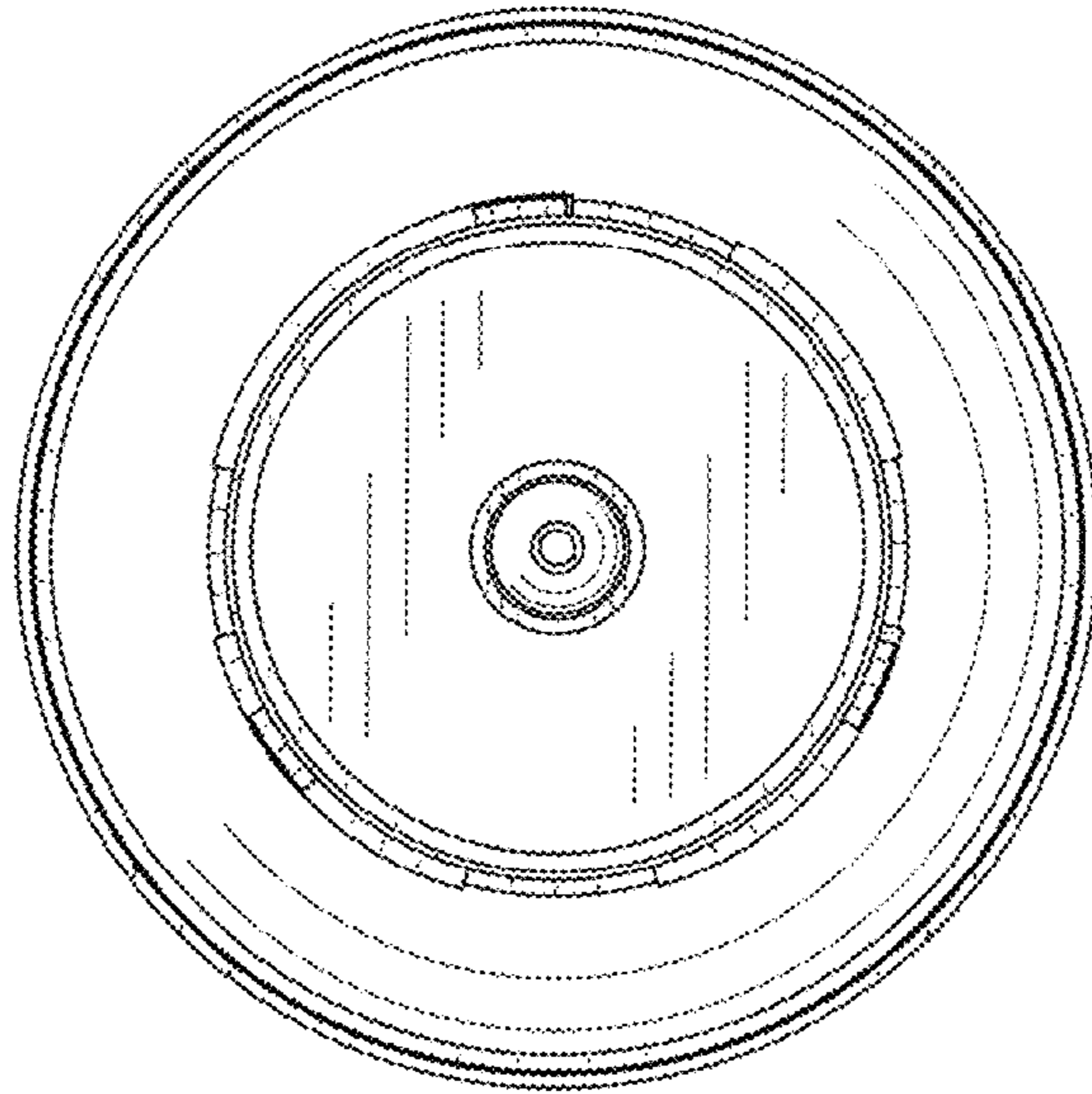


FIG. 6

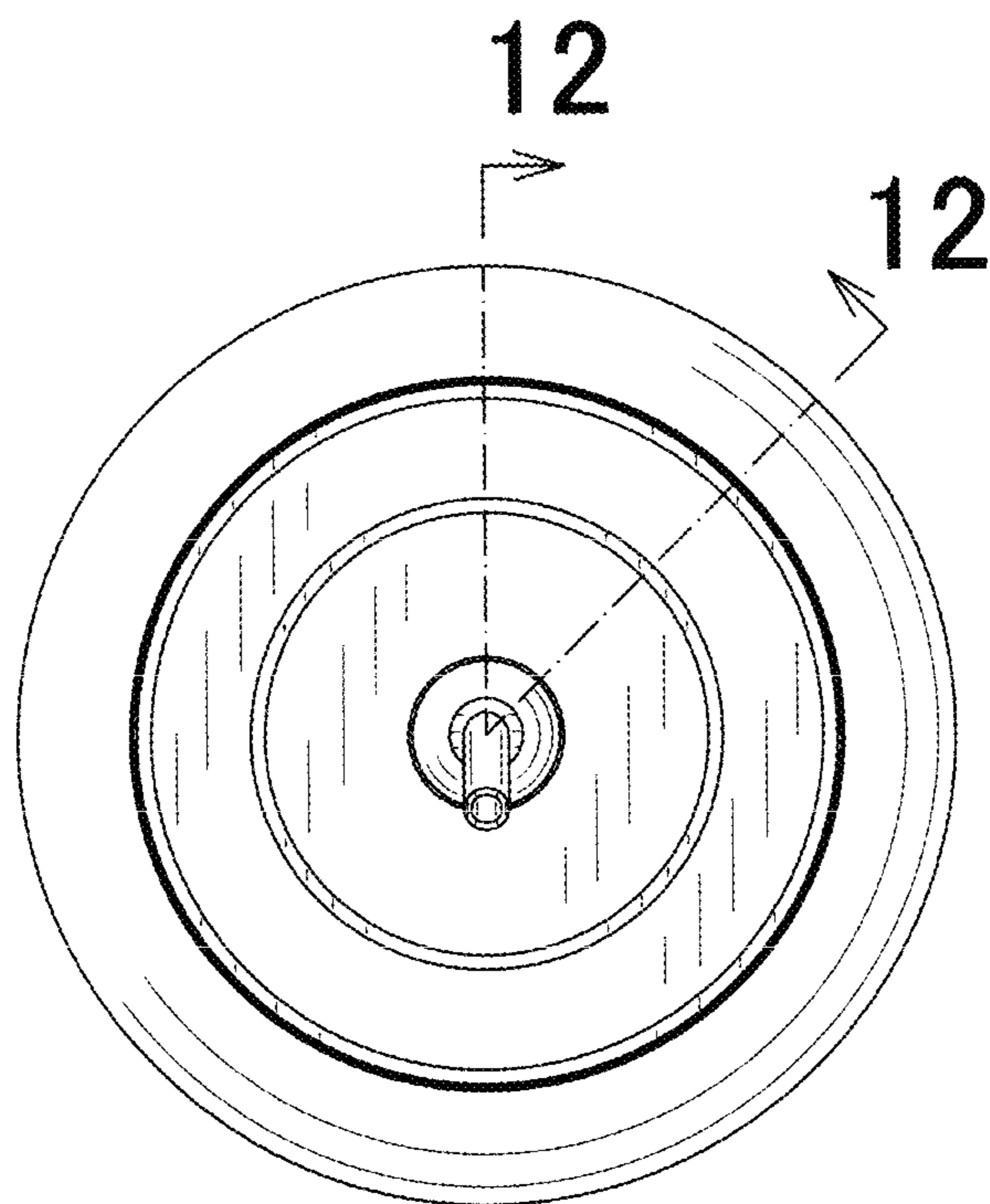


FIG. 7

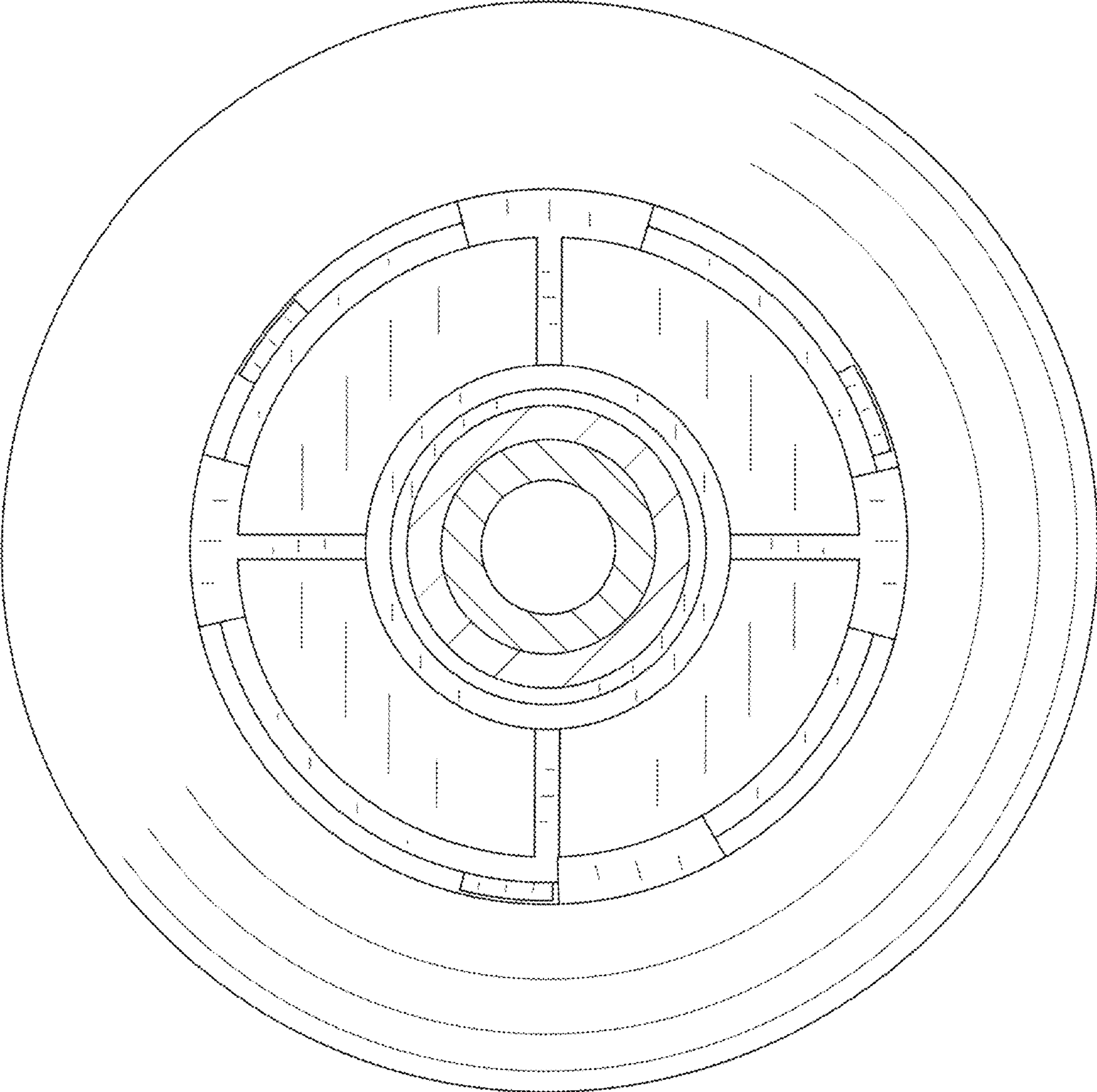


FIG. 8

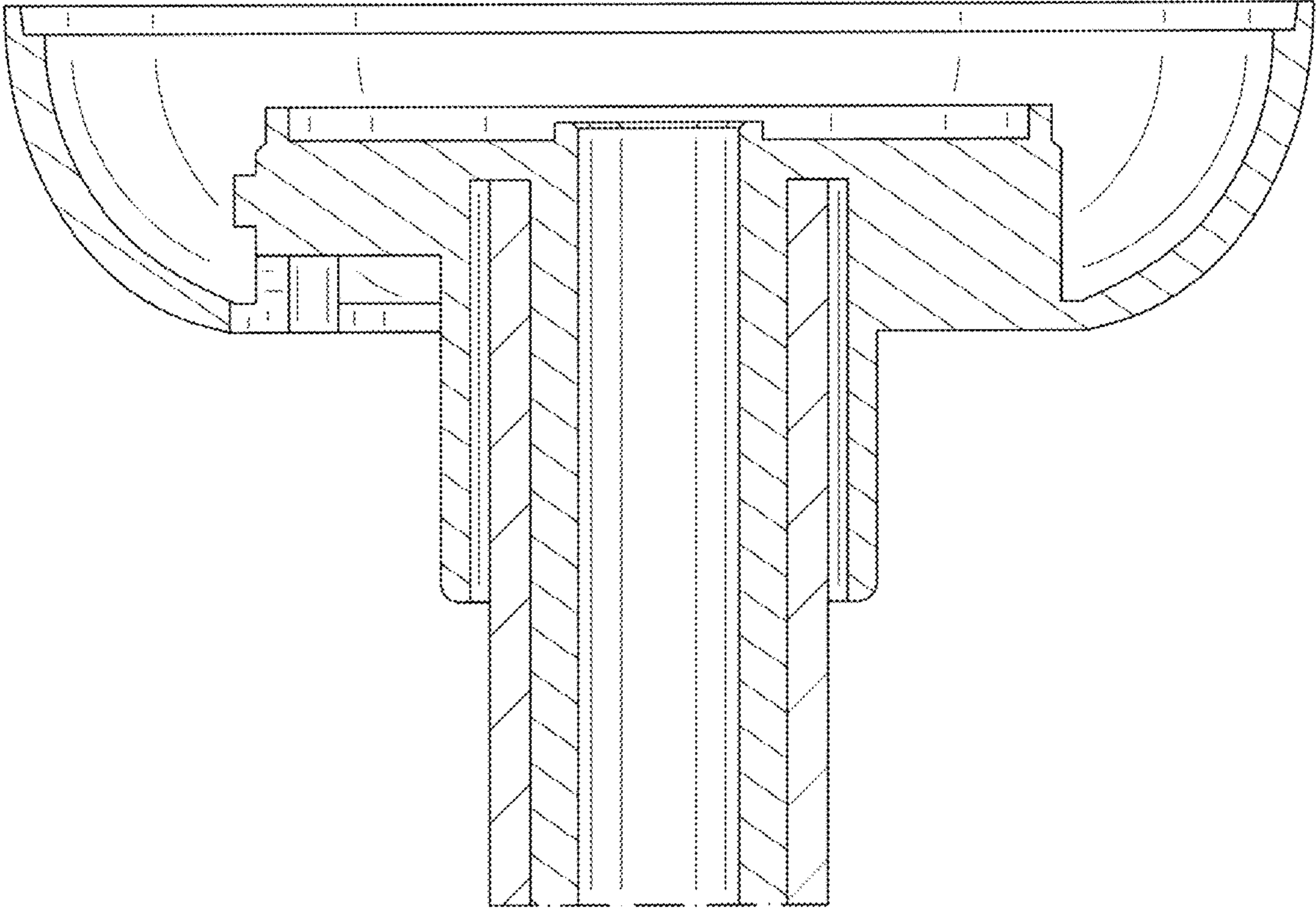


FIG. 9

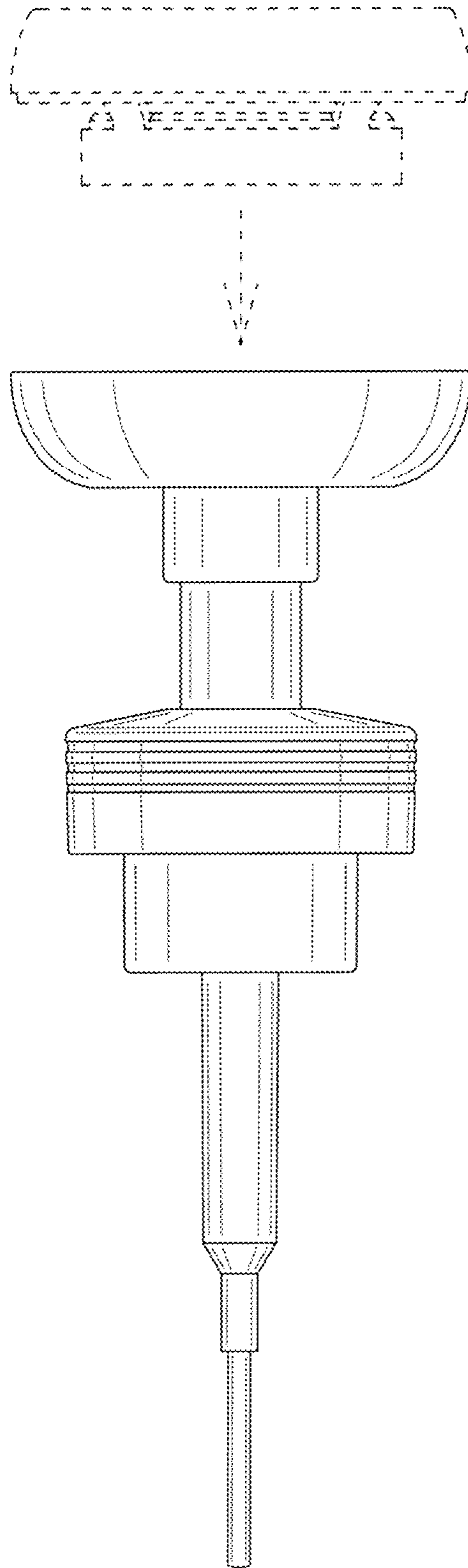


FIG. 10

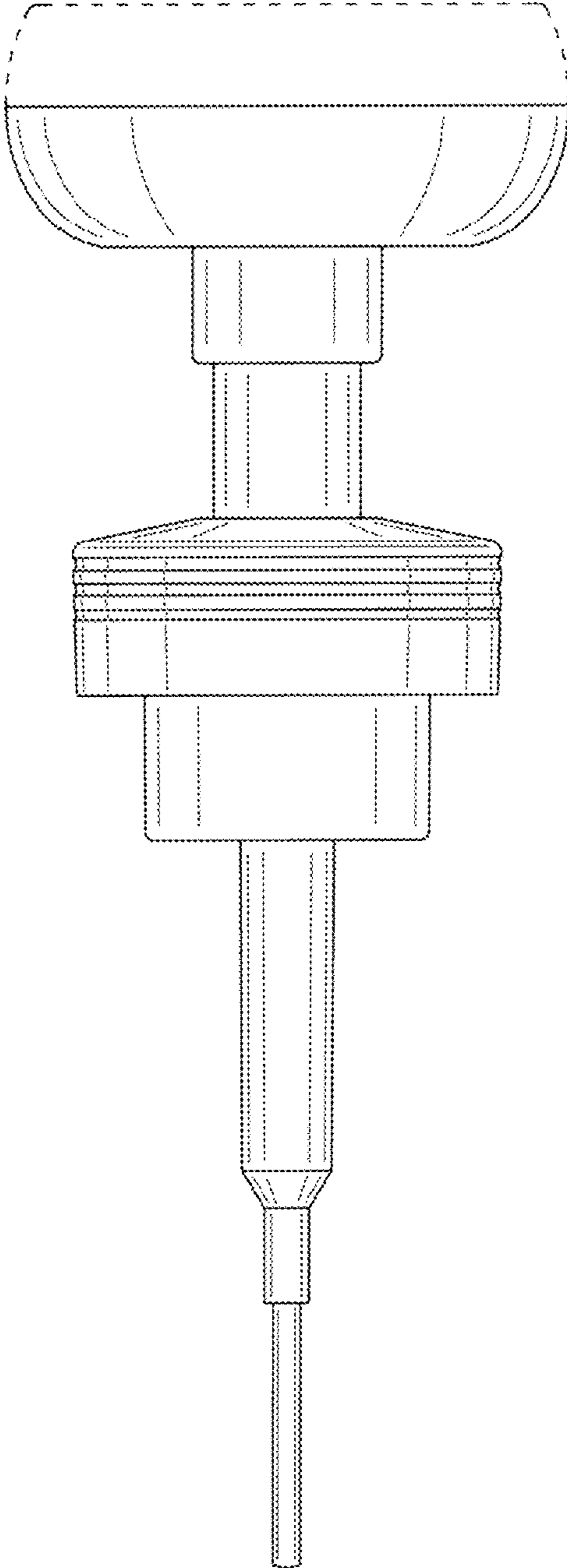


FIG. 11

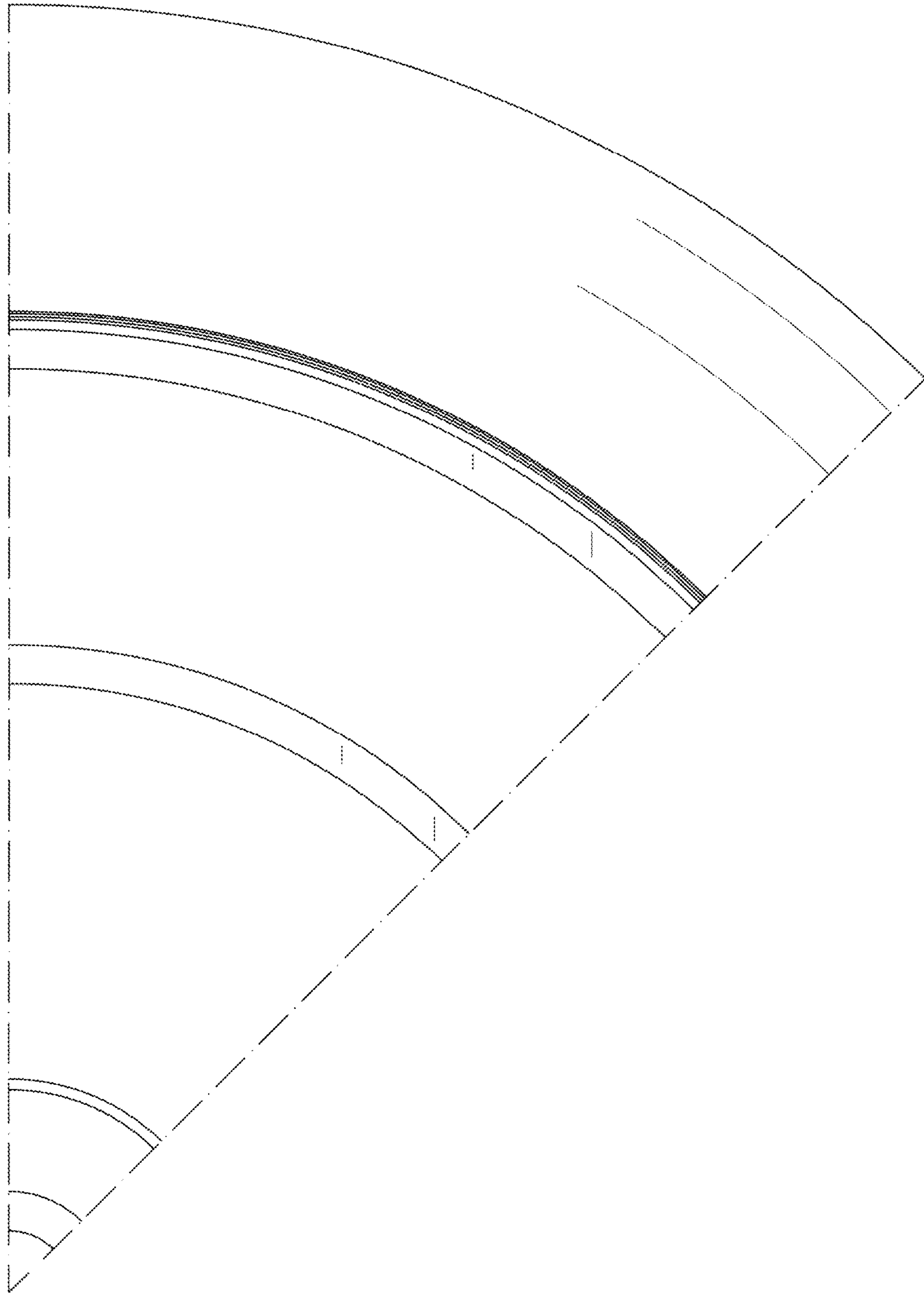


FIG. 12