



US00D931724S

(12) **United States Design Patent** (10) **Patent No.:** **US D931,724 S**
Chasseriaux et al. (45) **Date of Patent:** **** Sep. 28, 2021**

(54) **BOX FOR WATCHES**

(71) Applicant: **Rimowa GmbH**, Cologne (DE)
(72) Inventors: **Sylvain Daniel Chasseriaux**, Paris (FR); **François Rybarczyk**, Nice (FR); **Maxime Jean-Pierre Loiseau**, Paris (FR)

(73) Assignee: **Rimowa GmbH**, Cologne (DE)

(**) Term: **15 Years**

(21) Appl. No.: **35/508,889**

(22) Filed: **Jan. 17, 2020**

(80) **Hague Agreement Data**

Int. Filing Date: **Jan. 17, 2020**
Int. Reg. No.: **DM/206614**
Int. Reg. Date: **Jan. 17, 2020**
Int. Reg. Pub. Date: **Mar. 27, 2020**

(30) **Foreign Application Priority Data**

Sep. 10, 2019 (EP) 007001151

(51) **LOC (13) Cl.** **09-03**

(52) **U.S. Cl.**
USPC **D9/432; D3/903**

(58) **Field of Classification Search**
USPC D3/201, 203.1–203.3, 203.5–203.8, D3/202–207, 212, 218, 219, 221, 222, D3/225–228, 230, 232, 246, 254, D3/263–268, 272, 273, 281–283, 290, D3/291, 294, 298, 903; D9/414, D9/431–433, 499, 703, 707, 420, 421, D9/429, 423

CPC B65D 21/086; B65D 1/34; B65D 50/00; A61J 1/03

See application file for complete search history.

(56) **References Cited**

U.S. PATENT DOCUMENTS

1,735,061	A	*	11/1929	Shields	A47F 7/03
						206/562
D107,151	S	*	11/1937	Helleu	D3/205
D218,080	S	*	7/1970	Sierzega	D3/297
D219,955	S	*	2/1971	Seaman	D9/423
D292,839	S	*	11/1987	Brogdon	229/110
D387,982	S	*	12/1997	Kaplan	D9/418
D406,233	S	*	3/1999	Kaplan	D9/423
D502,868	S	*	3/2005	Cattaruzza	D3/294
D616,741	S	*	6/2010	Andre	D9/432
D787,324	S	*	5/2017	Sotka	D9/433
D803,077	S	*	11/2017	Paschke	D10/70
D812,368	S	*	3/2018	Noble	D3/203.3
D831,479	S	*	10/2018	Lylyk	D9/432
D845,787	S	*	4/2019	O'Neill	D9/737
D864,756	S	*	10/2019	O'Neill	D9/737

(Continued)

OTHER PUBLICATIONS

Esquire Middle East. Rimowa's new watch box is a dinky little suitcase for your timepieces. Nov. 2, 2020. <https://www.esquireme.com/content/48947-rimowas-new-watch-box-is-a-dinky-little-suitcase-for-your-timepieces> (Year: 2020).*

Primary Examiner — Darcey E Gottschalk

(74) *Attorney, Agent, or Firm* — Stetina Brunda Garred & Brucker

(57) **CLAIM**

The ornamental design for a box for watches, as shown and described.

DESCRIPTION

FIG. 1.1 is a perspective view of a box for watches showing our new design;
FIG. 1.2 is a top view thereof;
FIG. 1.3 is a bottom view thereof;

(Continued)

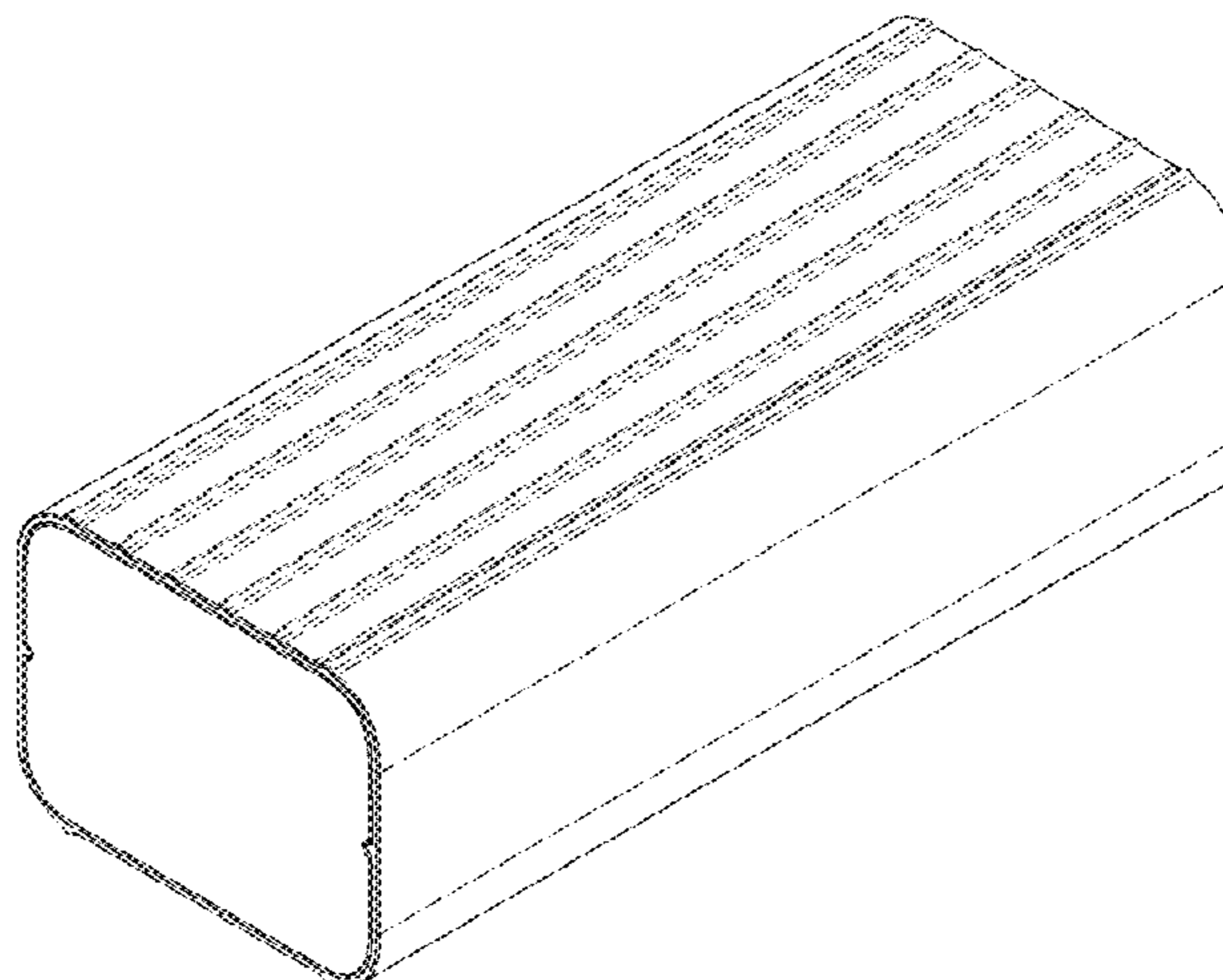


FIG. 1.4 is a front view thereof;
FIG. 1.5 is a back view thereof;
FIG. 1.6 is a left side view thereof; and
FIG. 1.7 is a right side view thereof.

1 Claim, 7 Drawing Sheets

(56)

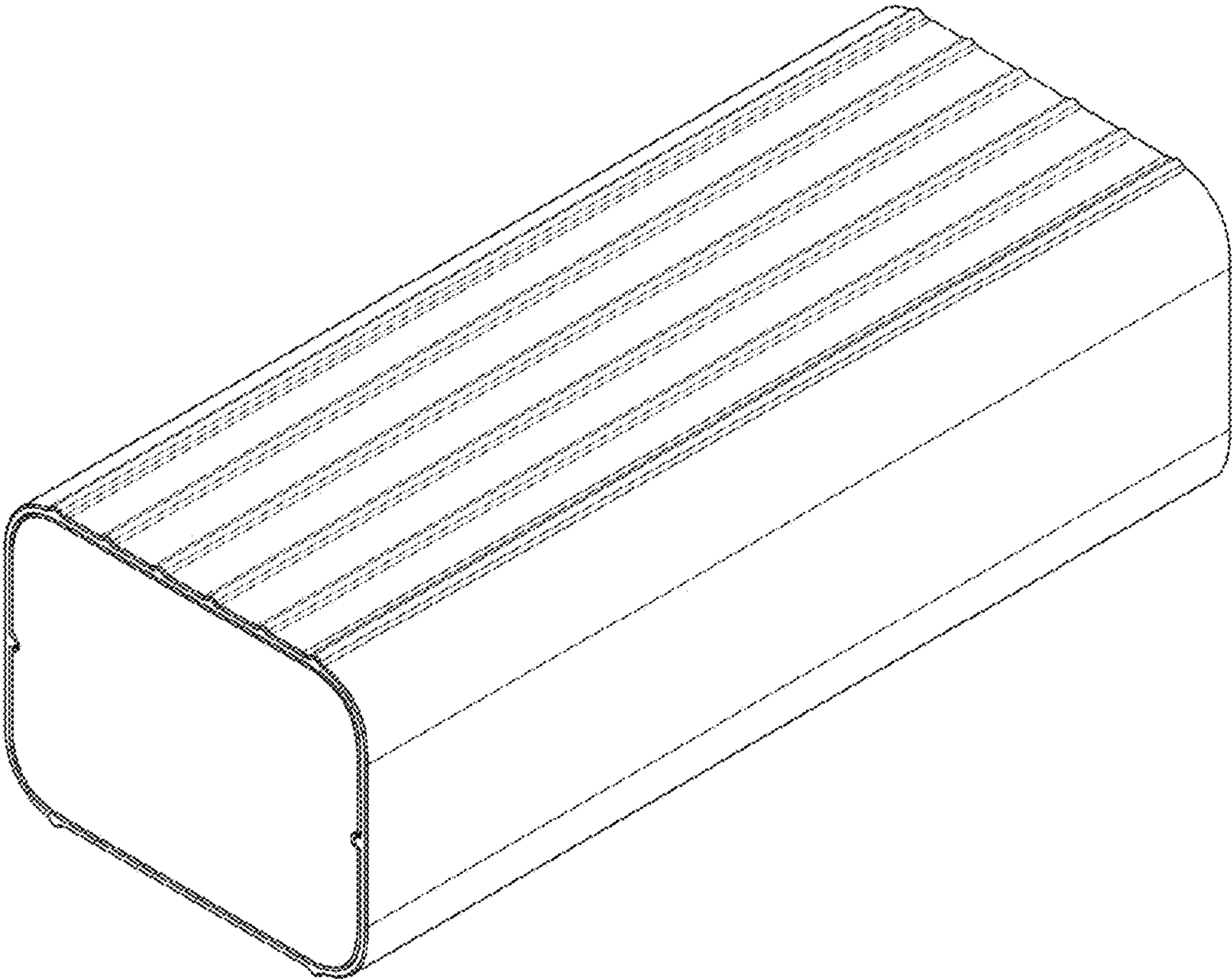
References Cited

U.S. PATENT DOCUMENTS

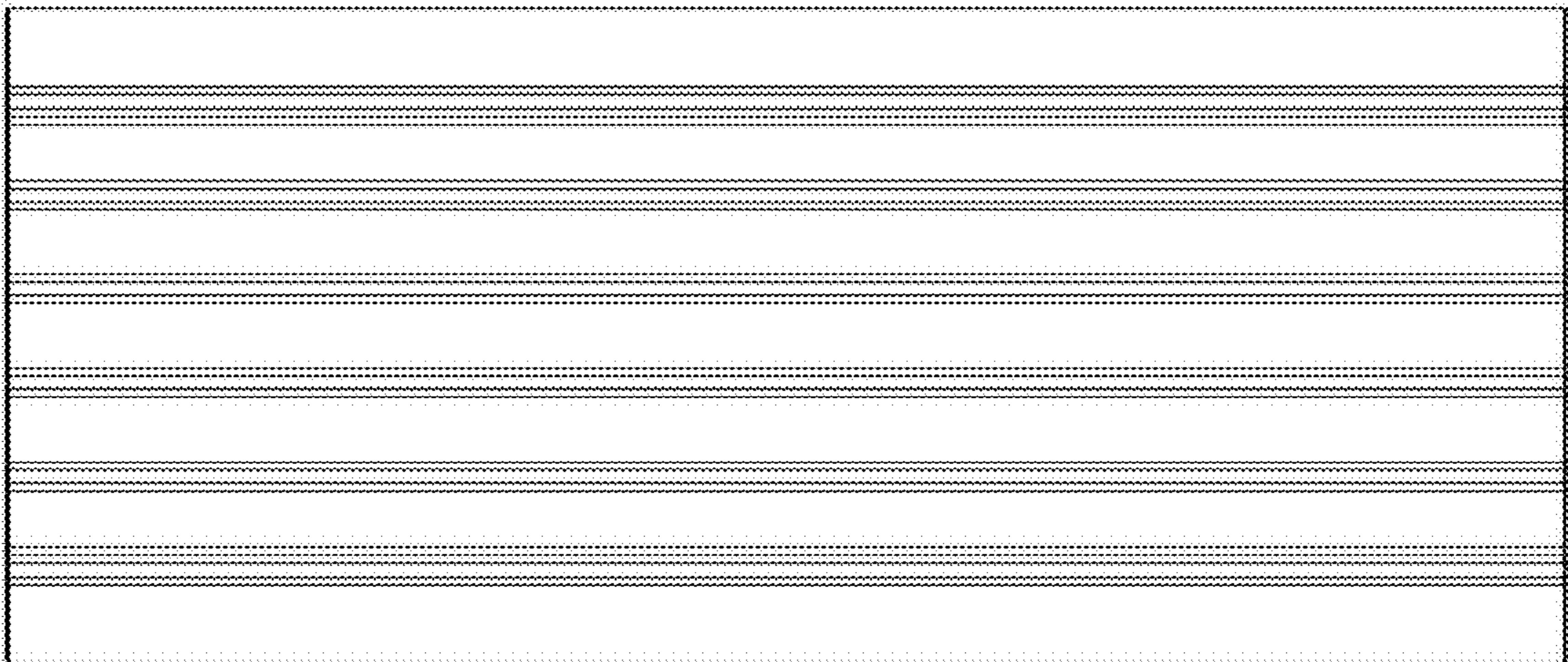
D866,164 S *	11/2019	Chen	D3/205
D872,996 S *	1/2020	Caldwell	D3/272
D872,997 S *	1/2020	Vollmer	D3/272
D873,555 S *	1/2020	Wurm	D3/203.1
D873,556 S *	1/2020	McGarry	D3/205
D893,184 S *	8/2020	Liu	D3/294
D897,831 S *	10/2020	Hawry	D9/414
D898,348 S *	10/2020	Guo	D3/203.3
D901,178 S *	11/2020	Kim	D3/298
D906,840 S *	1/2021	O'Neill	D9/737

* cited by examiner

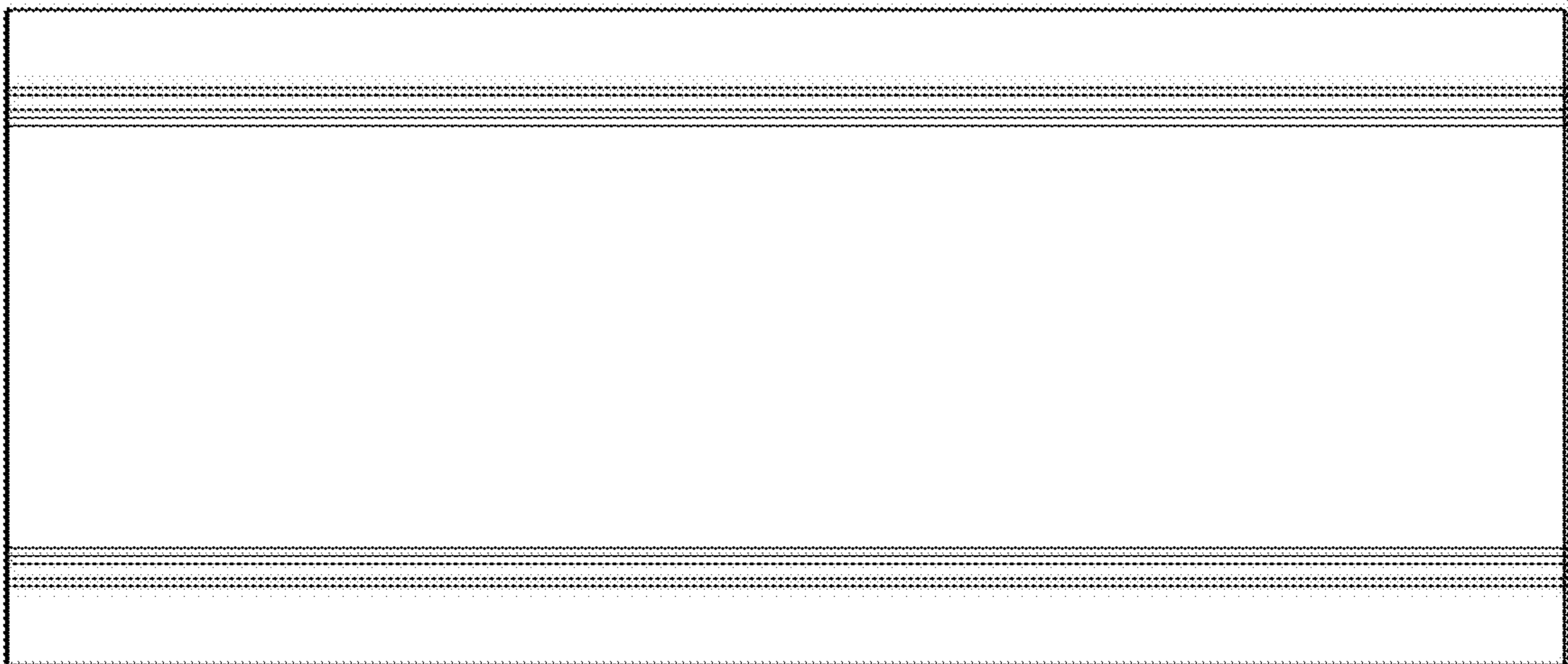
1.1



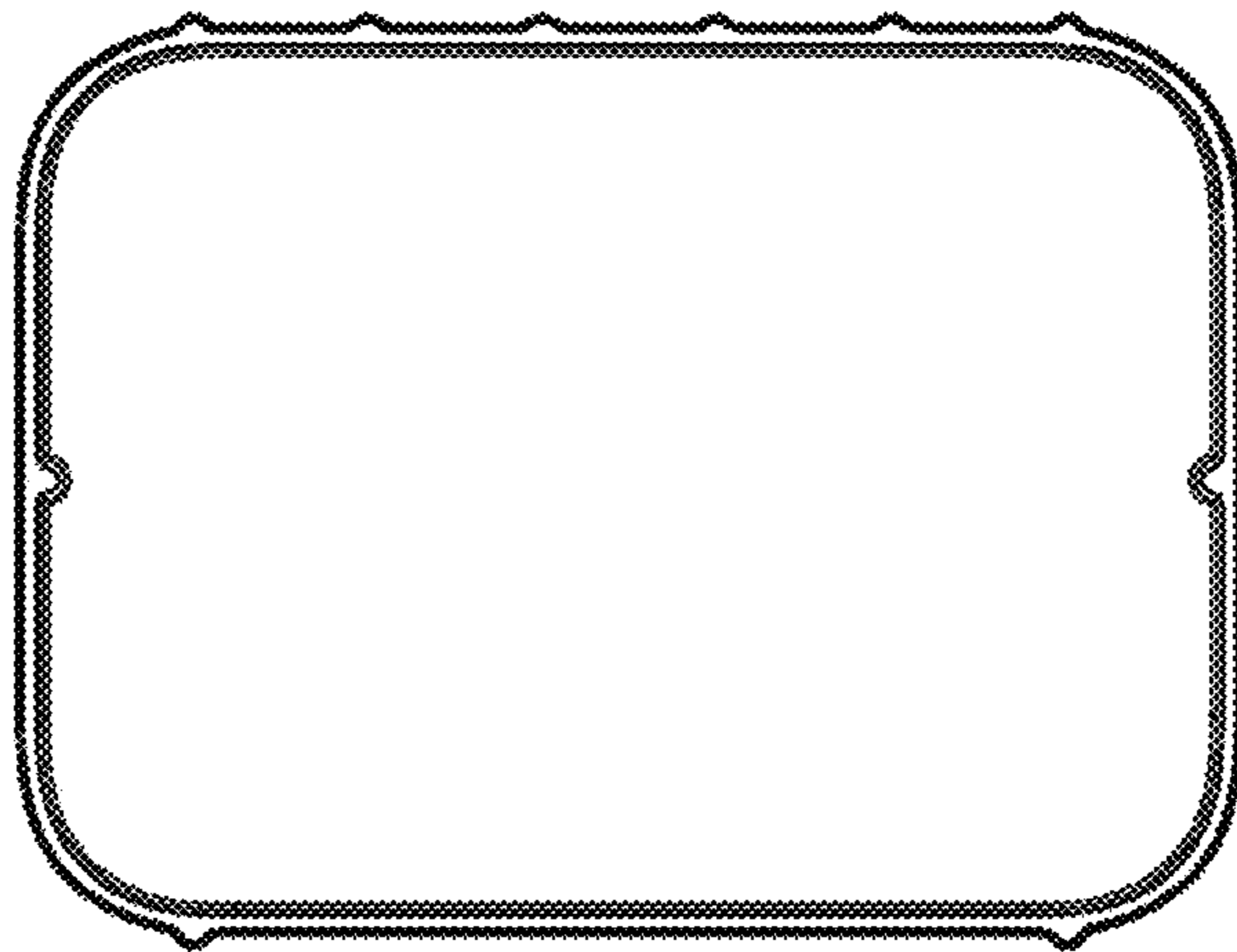
1.2



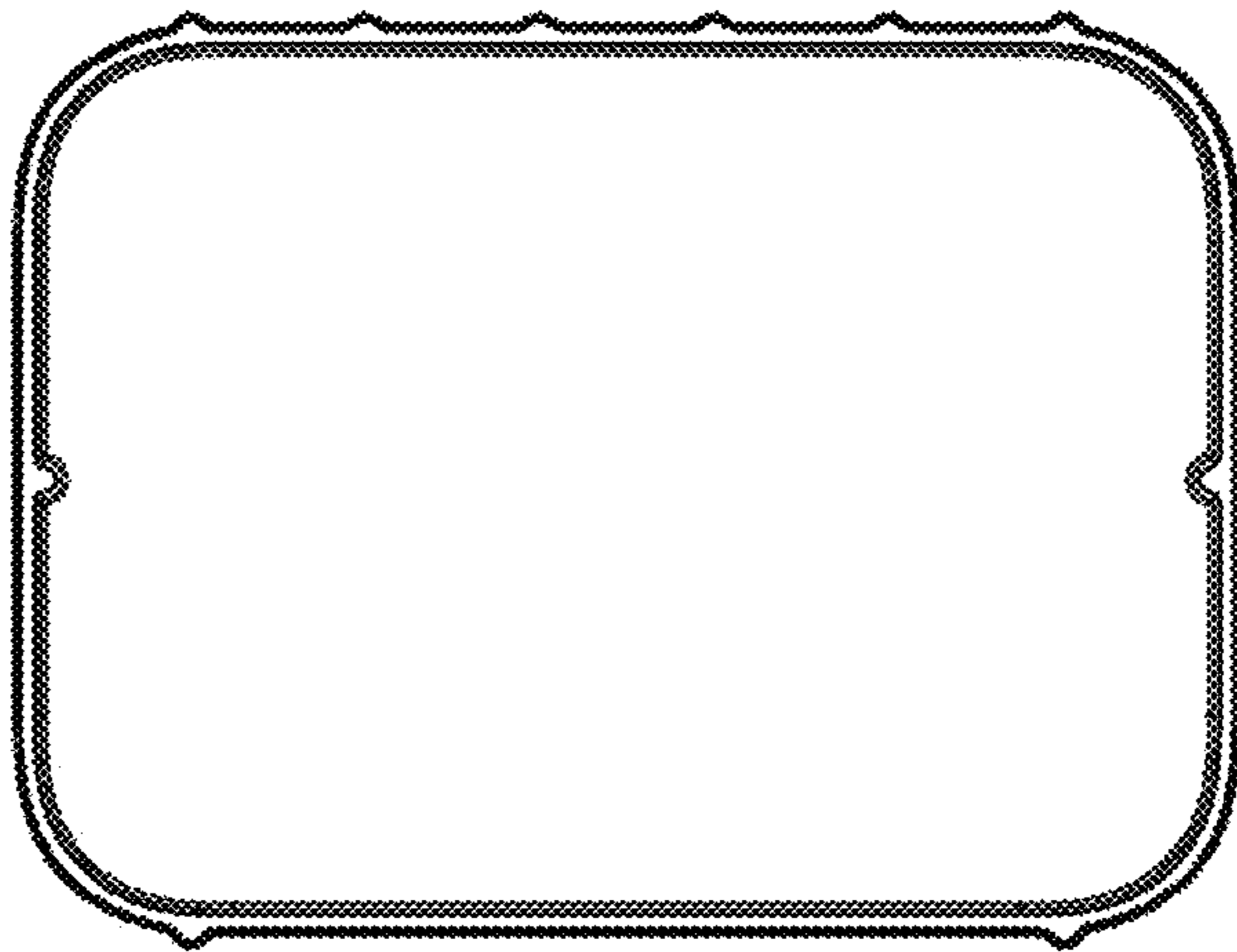
1.3



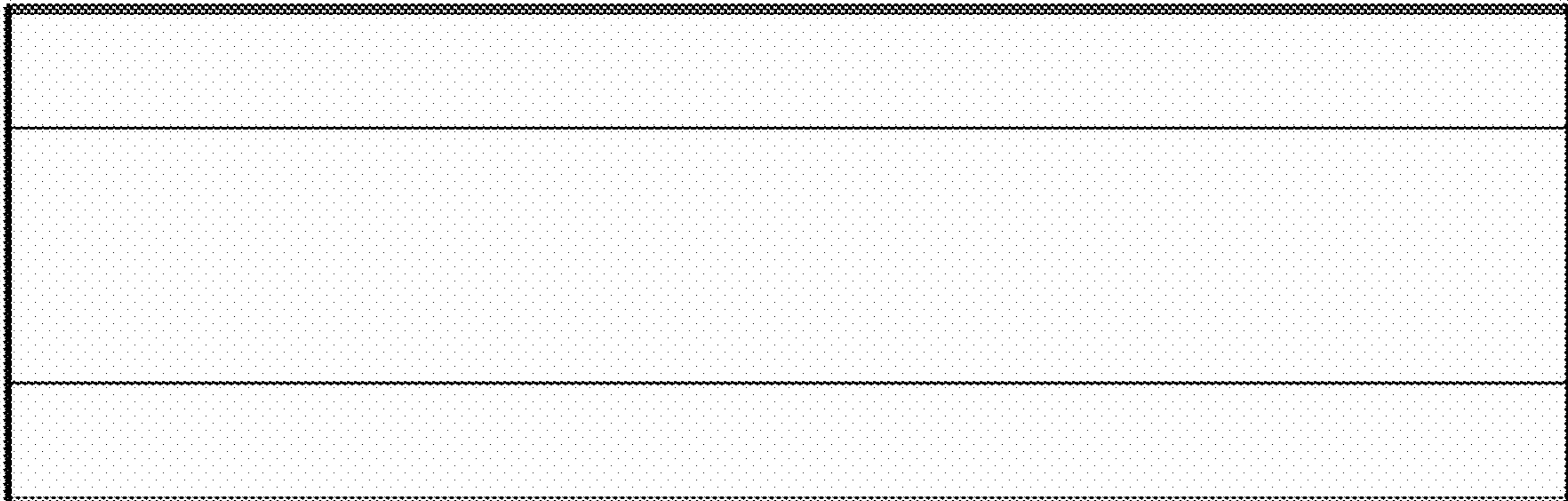
1.4



1.5



1.6



1.7

