



US00D931722S

(12) **United States Design Patent**
Ribi

(10) **Patent No.:** **US D931,722 S**
(45) **Date of Patent:** **** Sep. 28, 2021**

- (54) **STRAP ARRANGEMENT**
- (71) Applicant: **RIBI LIMITED**, London (GB)
- (72) Inventor: **Leon Ribi**, Troistorrents (CH)
- (**) Term: **15 Years**
- (21) Appl. No.: **29/683,963**
- (22) Filed: **Mar. 18, 2019**
- (30) **Foreign Application Priority Data**

Sep. 20, 2018 (EM) 005650538-0001

- (51) **LOC (13) Cl.** **09-03**
- (52) **U.S. Cl.**
USPC **D9/419**
- (58) **Field of Classification Search**
USPC D9/419, 435
CPC .. B65D 71/003; B65D 71/504; B65D 5/6673;
B65D 33/06
See application file for complete search history.

(56) **References Cited**

U.S. PATENT DOCUMENTS

- 728,018 A * 5/1903 Roudil B65D 71/0003
206/201
- 2,303,240 A * 11/1942 Strong B65D 71/0003
206/168
- 2,414,708 A * 1/1947 Bassichis B65D 71/0003
206/174
- 2,420,006 A * 5/1947 O'Hare B65D 71/0003
206/163

- 2,426,830 A * 9/1947 Kidd B65D 71/0003
206/163
- 2,441,834 A * 5/1948 Morse B65D 71/0003
206/164
- 2,527,705 A * 10/1950 Crary B65D 5/6673
229/117.26
- 3,045,863 A * 7/1962 De Chelbor B65D 71/0003
206/201
- 3,269,530 A * 8/1966 Wanderer B65D 71/504
206/150
- 3,923,222 A * 12/1975 Groves B65D 33/06
294/157
- D920,780 S * 6/2021 Ribi D9/435
- D920,781 S * 6/2021 Ribi D9/435

* cited by examiner

Primary Examiner — Rhea Shields

(74) *Attorney, Agent, or Firm* — Themis Law

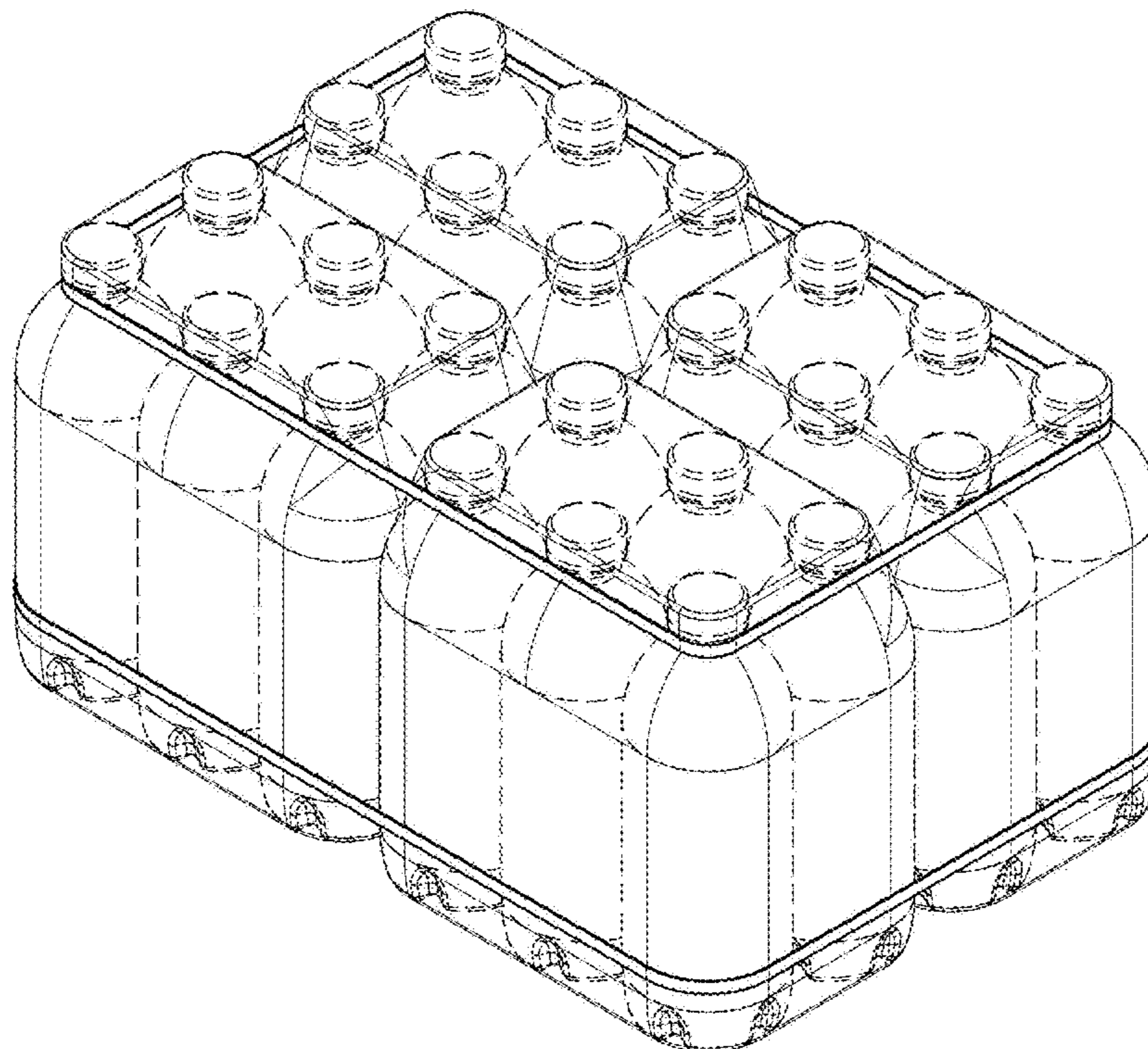
(57) **CLAIM**

The ornamental design for a strap arrangement, as shown and described.

DESCRIPTION

FIG. 1 is a perspective view of a strap arrangement showing my new design;
 FIG. 2 is a front elevational view thereof;
 FIG. 3 is a rear elevational view thereof;
 FIG. 4 is a right elevational view thereof, the left elevational view being a mirror image; and,
 FIG. 5 is a top plan view thereof.
 In the drawings, the broken lines are for the purpose of illustrating environment only which forms no part of the claimed design.

1 Claim, 5 Drawing Sheets



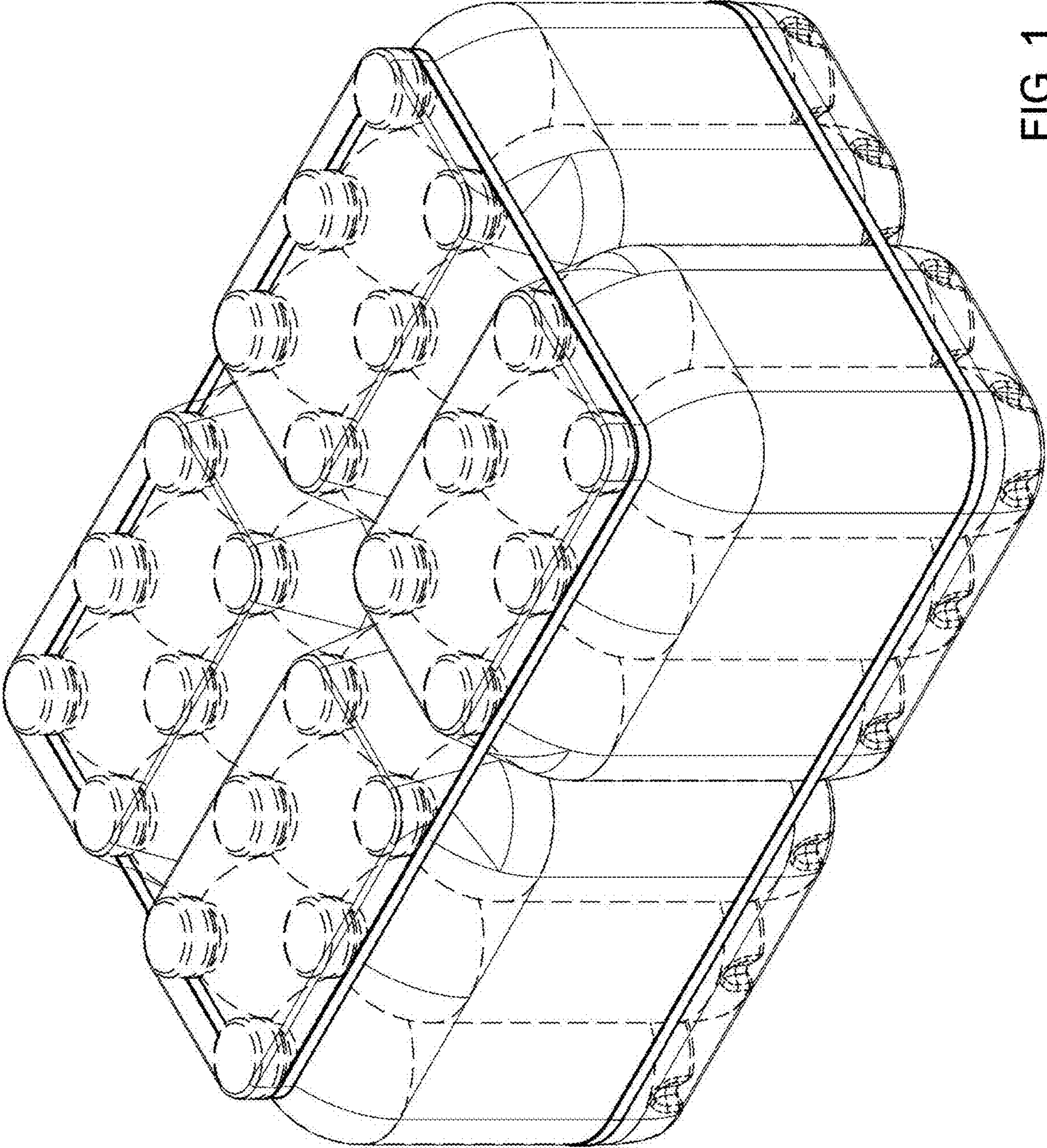


FIG. 1

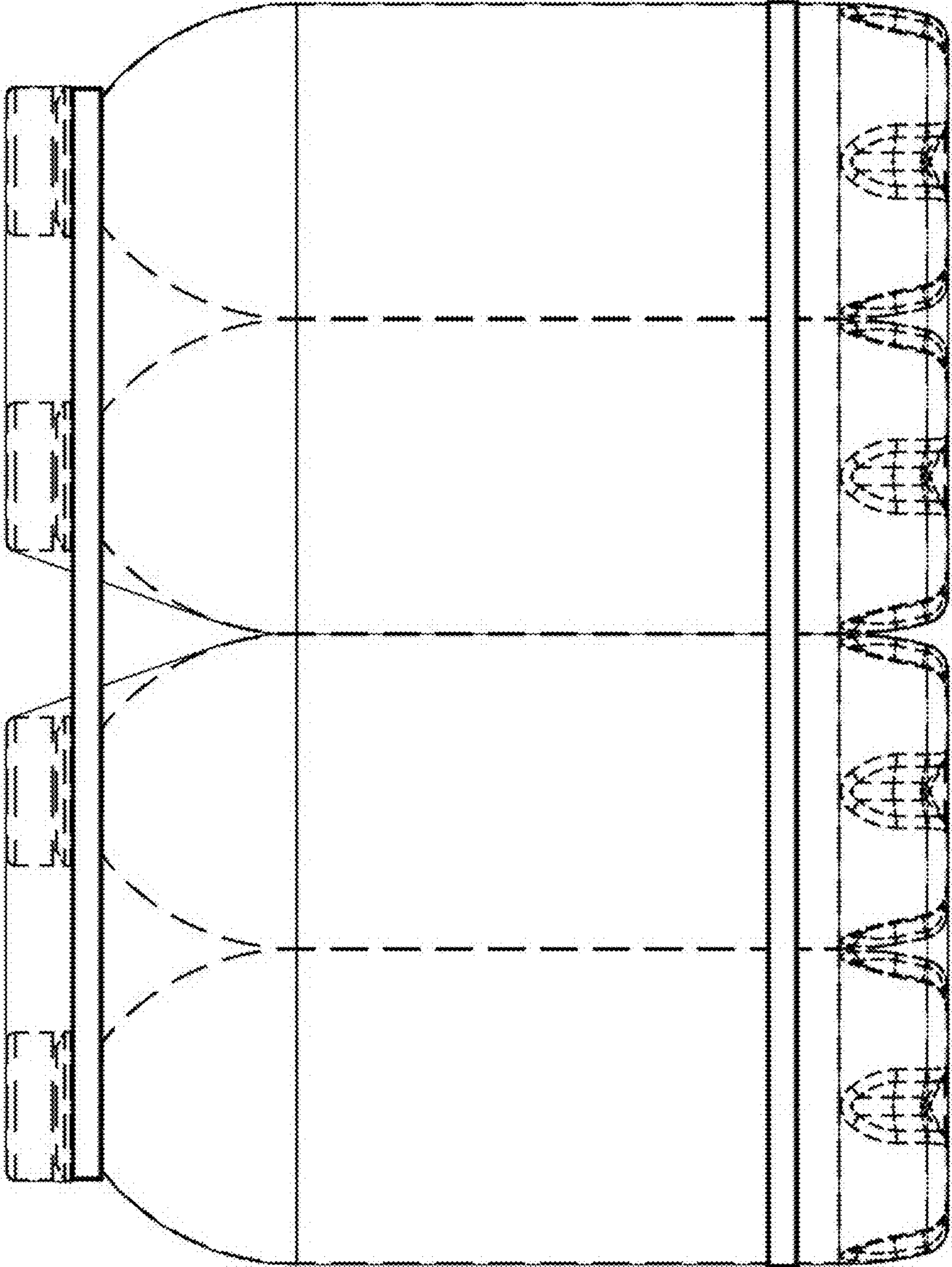


FIG. 2

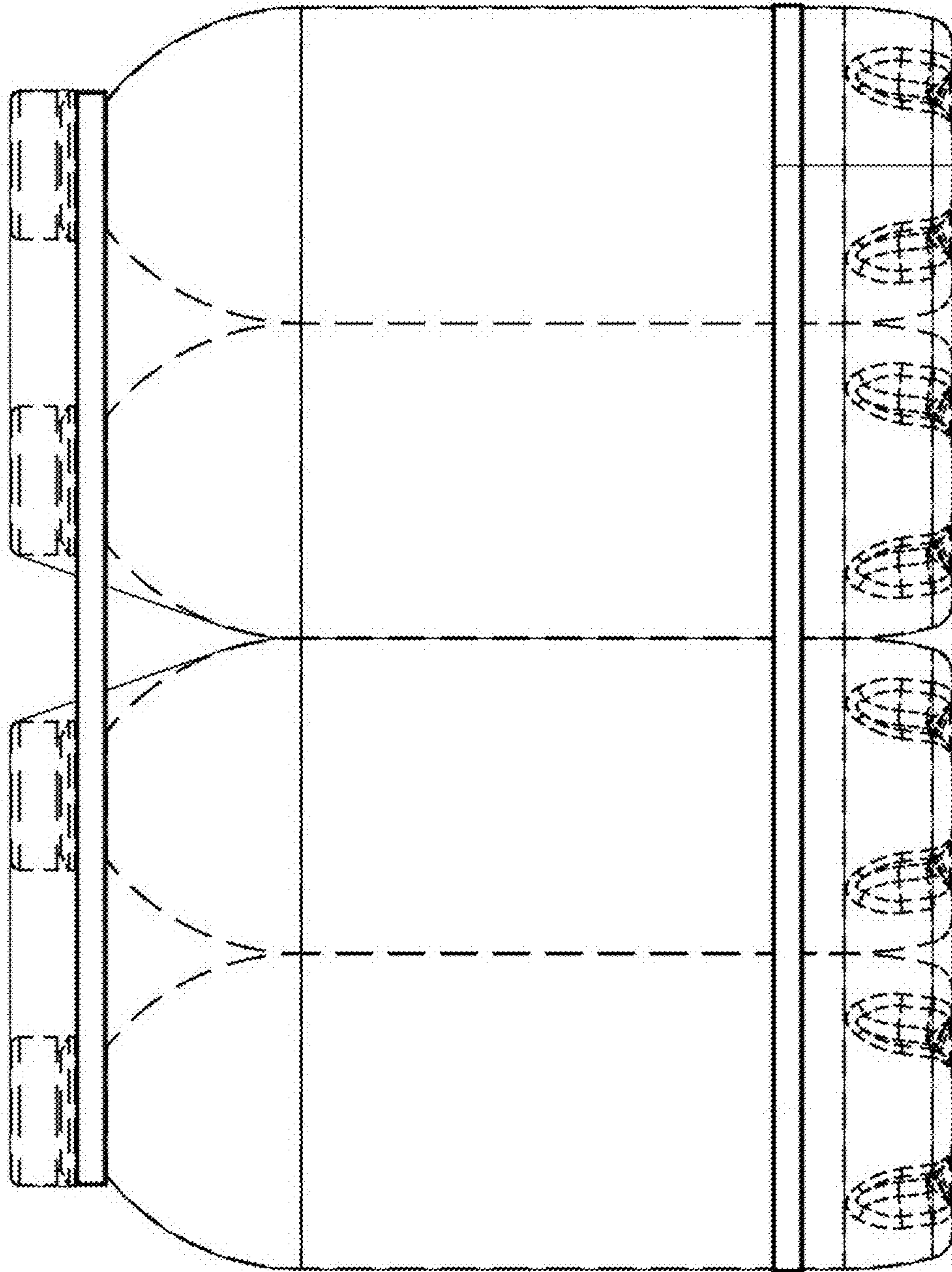


FIG. 3

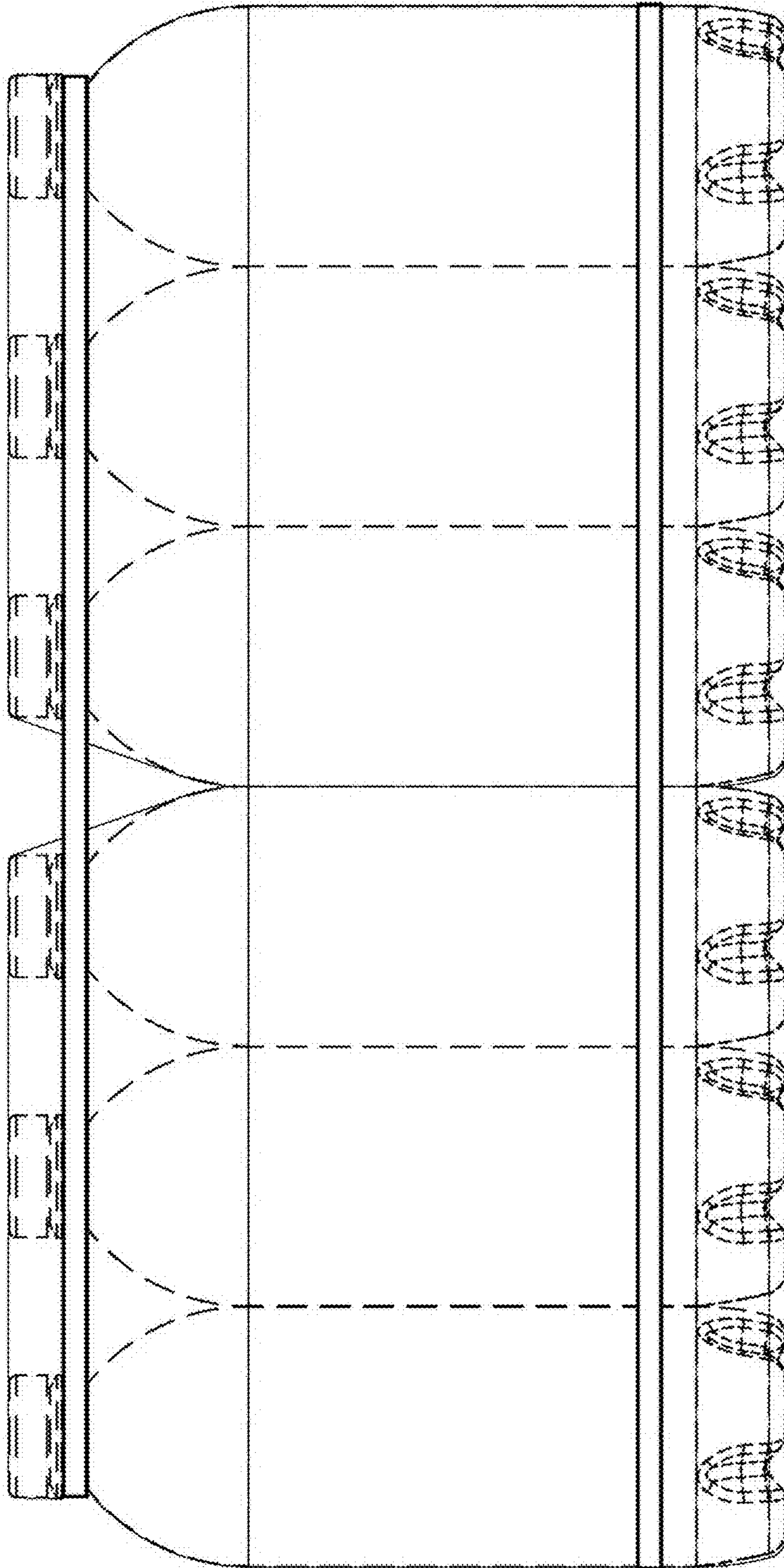


FIG. 4

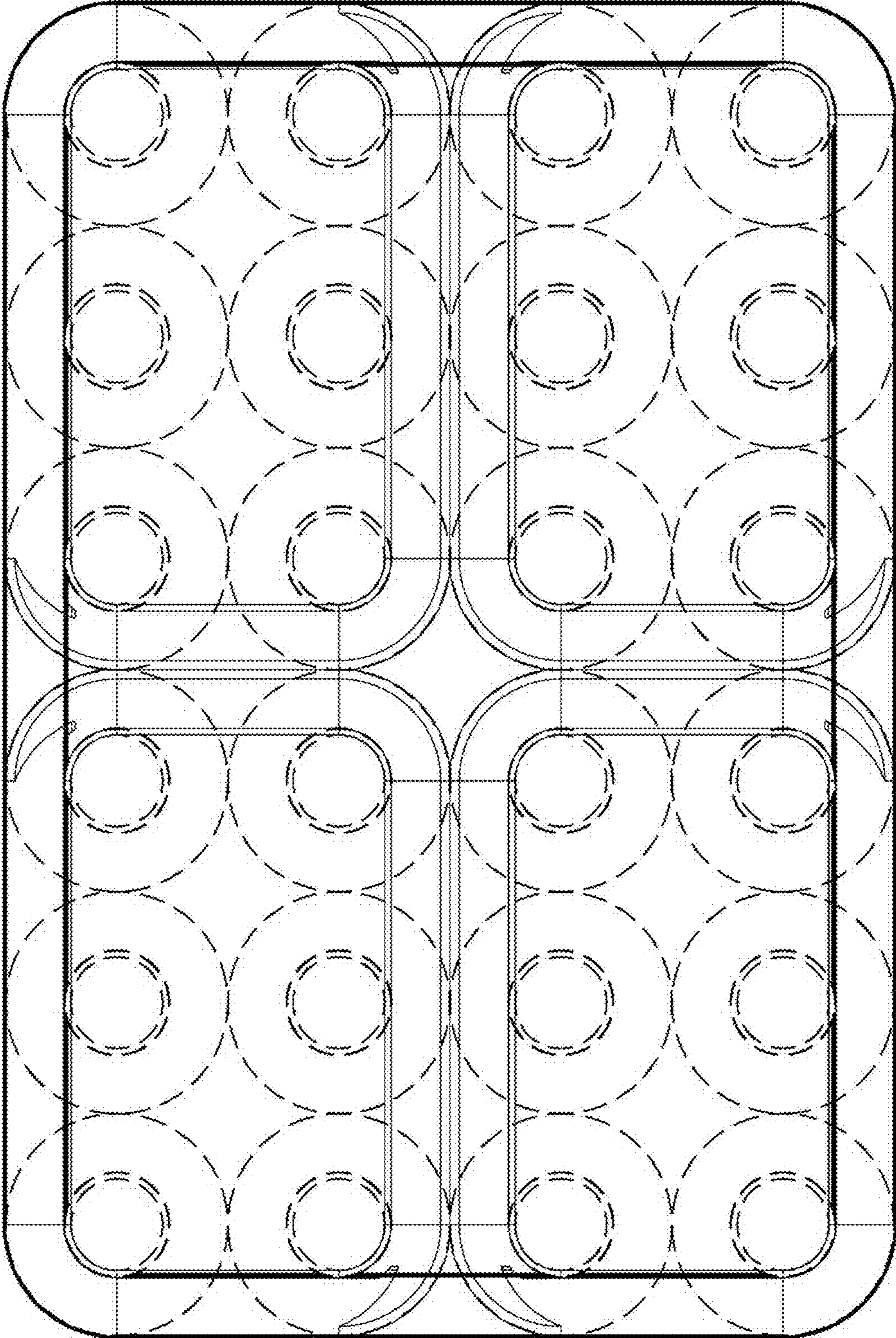


FIG. 5