



US00D931721S

(12) **United States Design Patent** (10) **Patent No.:** **US D931,721 S**
Asik (45) **Date of Patent:** **** Sep. 28, 2021**

(54) **VENT PLUG**
(71) Applicant: **Custom Fabricating & Supplies,**
Franklin, WI (US)
(72) Inventor: **Brian Asik,** Franklin, WI (US)
(73) Assignee: **Custom Fabricating & Supplies,**
Franklin, WI (US)
(**) Term: **15 Years**
(21) Appl. No.: **29/695,168**
(22) Filed: **Jun. 17, 2019**
(51) **LOC (13) Cl.** **08-99**
(52) **U.S. Cl.**
USPC **D8/499;** D8/346
(58) **Field of Classification Search**
USPC D8/346, 343, 331, 330; D7/392.1, 396.2,
D7/300.2, 300.1
CPC F16K 15/148; F16K 15/14; F16K 24/04;
F16K 21/04; C25D 13/22; F21V 31/03;
F21S 45/30; A01J 5/04; A01J 5/00; A01J
5/08; H01M 50/308; H01M 50/60; Y02E
60/10; Y10T 137/7847; Y10T 137/789;
Y10T 137/7933; B05B 12/20; B41J
2/17596; B41J 2/175; B65D 47/121;
B65D 2543/00527; B65D 2543/00731;
B65D 2543/00046; B65D 2543/00537;
G09F 23/08
See application file for complete search history.

(56) **References Cited**

U.S. PATENT DOCUMENTS

2,936,779 A * 5/1960 Kindred A62B 9/02
137/854
D212,447 S * 10/1968 Kaser et al. D15/140
3,620,023 A * 11/1971 Schmid E02B 13/00
137/854
3,664,879 A * 5/1972 Olsson H01M 50/308
429/89
3,941,149 A 3/1976 Mittleman

4,060,100 A * 11/1977 Miller F16L 55/11
138/89
4,231,724 A * 11/1980 Hope F04B 53/1065
417/435
5,753,042 A 5/1998 Bauer
6,055,931 A * 5/2000 Sanford, Jr. A01J 5/044
119/14.36

(Continued)

FOREIGN PATENT DOCUMENTS

CA 106496 * 4/2004
CN 3315054 * 8/2003

(Continued)

OTHER PUBLICATIONS

Royal,Green Circle Beverage Plug,Date first available Dec. 23,
2015 , [online]retrieved Jun. 8, 2021,available from [https://www.amazon.com/StixToGo-Green-Circle-Beverage-Disposable/dp/B00JDLA8MM/ref=sr_1_50_sspa?dchild=1&keywords=coffee+cup+stoppers&qid=1623161675&sr=8-50-spons&psc=1&spLa%](https://www.amazon.com/StixToGo-Green-Circle-Beverage-Disposable/dp/B00JDLA8MM/ref=sr_1_50_sspa?dchild=1&keywords=coffee+cup+stoppers&qid=1623161675&sr=8-50-spons&psc=1&spLa%E2%80%A6)
E2%80%A6 (Year: 2015).*

(Continued)

Primary Examiner — Keli L Hill
Assistant Examiner — Sara S Sahneh
(74) *Attorney, Agent, or Firm* — Boyle Fredrickson, S.C.

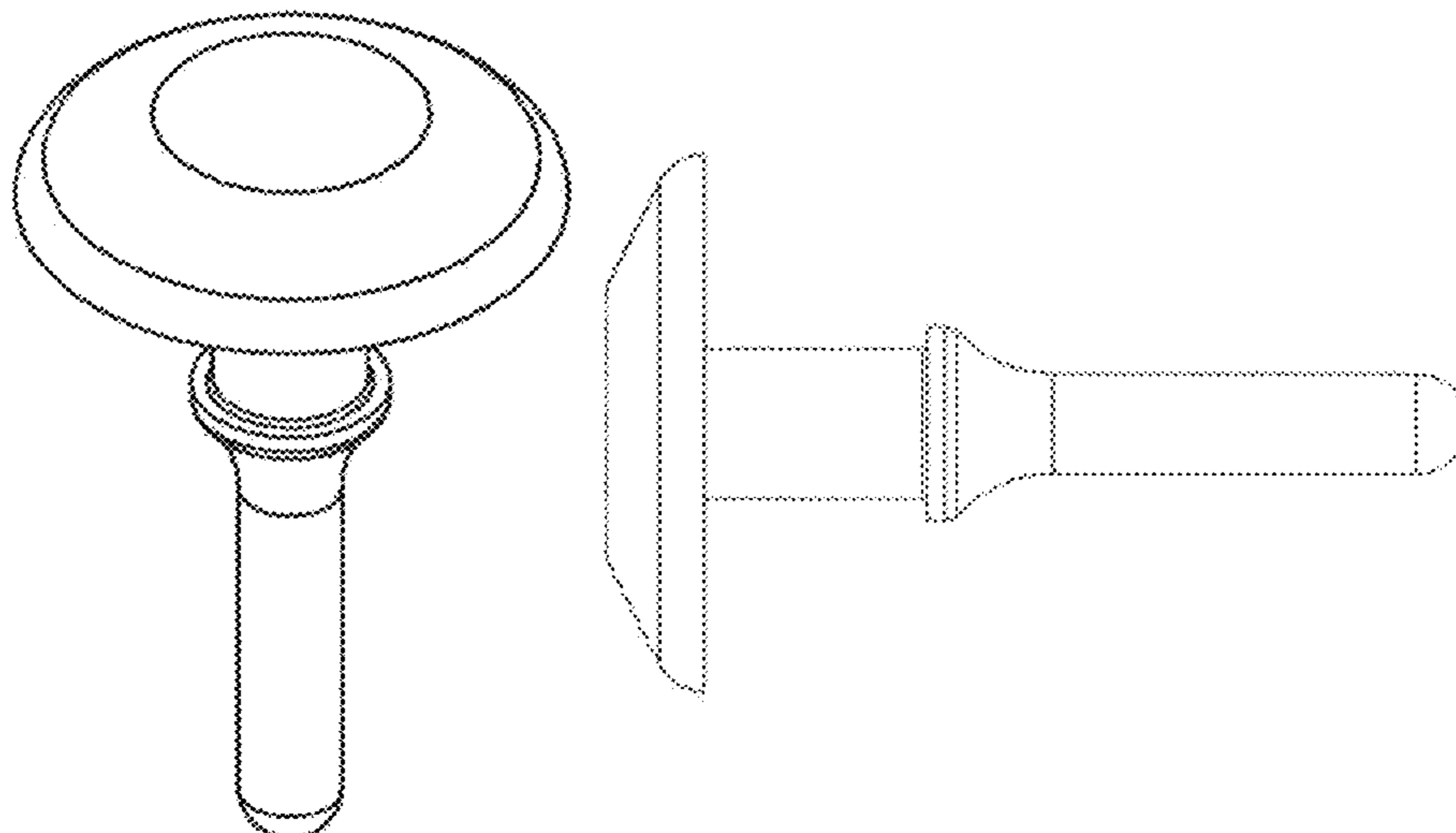
(57) **CLAIM**

The ornamental design for a vent plug, as shown and described.

DESCRIPTION

FIG. 1 is an isometric view of a vent plug in accordance with the present invention;
FIG. 2 is a side elevational view of the vent plug of FIG. 1;
FIG. 3 is a top plan view of the vent plug of FIG. 1; and,
FIG. 4 is a bottom plan view of the vent plug of FIG. 1.

1 Claim, 2 Drawing Sheets



(56)

References Cited

U.S. PATENT DOCUMENTS

6,516,829 B1 * 2/2003 Townsend B60T 17/004
137/512.15
7,082,967 B2 8/2006 Sarajian et al.
D596,921 S * 7/2009 Hageman D8/330
D921,208 S * 6/2021 Kwon D24/193
2010/0025614 A1 * 2/2010 Cai F04B 43/025
251/324
2014/0141292 A1 * 5/2014 Lee H01M 50/325
429/54
2021/0010605 A1 * 1/2021 Asik F16K 15/148

FOREIGN PATENT DOCUMENTS

CN 301957768 * 11/2011
CN 302693031 * 7/2013
CN 302893438 * 1/2014
EP 1609533 3/2009

JP H0932943 A 2/1997
JP H10299922 A 11/1998
JP D1654720 * 5/2019
KR 300857516.0000 * 10/2015

OTHER PUBLICATIONS

TapeCase Store, Silicone Step Plugs, Date first available Feb. 26, 2013, [online]retrieved Jun. 8, 2021,available from https://www.amazon.com/TapeCase-Silicone-0-236in-0-354in-0-631in/dp/B00BLPF8GY/ref=sr_1_7?dchild=1&keywords=silicon+step+plug&qid=1623166014&sr=8-7 (Year: 2013).*

Hyuan, Tech Universal Silicone Cleaning Plugs+Caps, Date first available Sep. 1, 2020, [online]retrieved Jun. 8, 2021,available from https://www.amazon.com/dp/B08H4YV3YF/ref=sspa_dk_detail_3?psc=1&pd_rd_i=B08H4YV3YF&pd_rd_w=A4xxU&pf_rd_p=5d846283-ed3e-4512-a744-a30f97c5d738&pd_rd_wg=NZgBw (Year: 2020).*

* cited by examiner

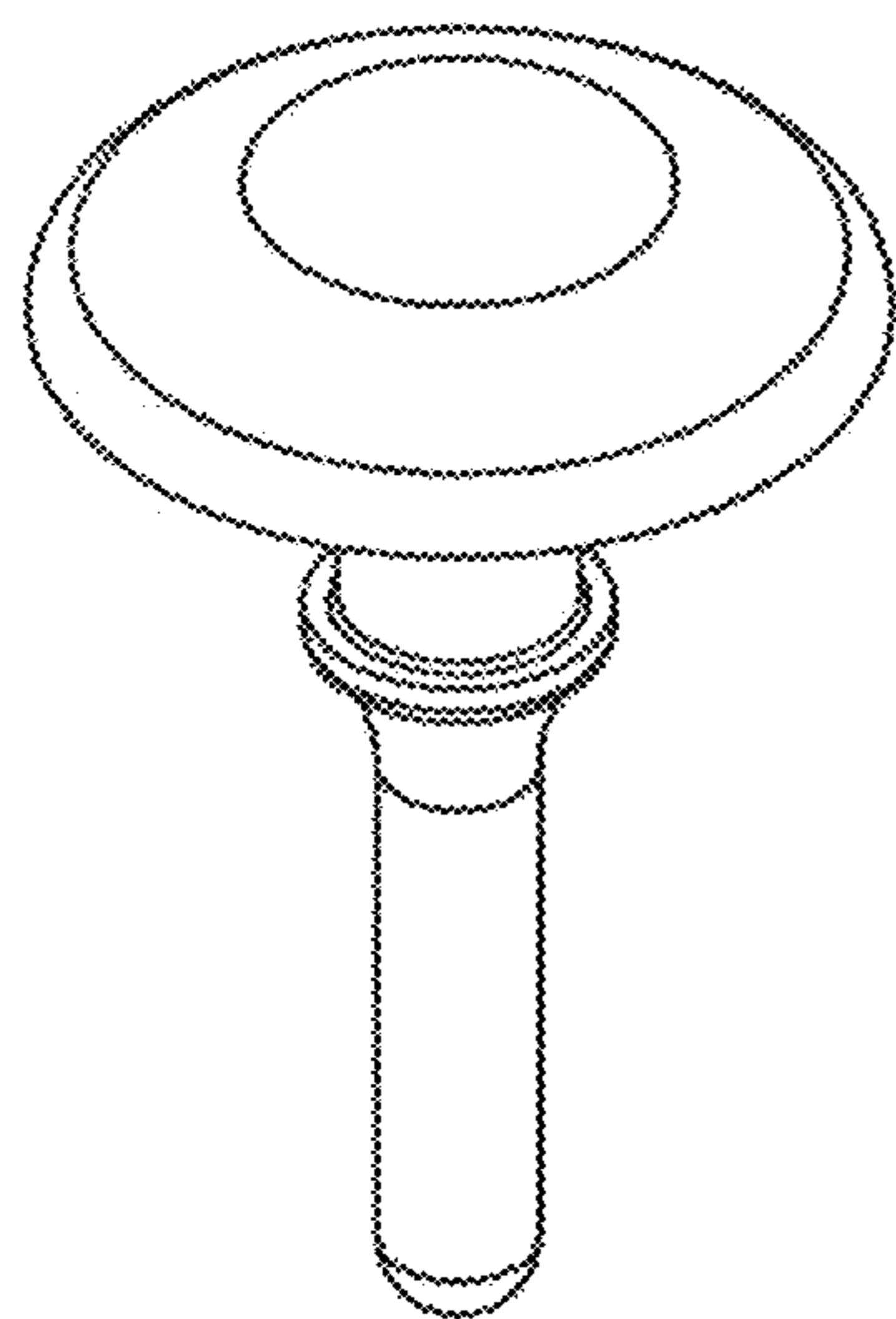


FIG. 1

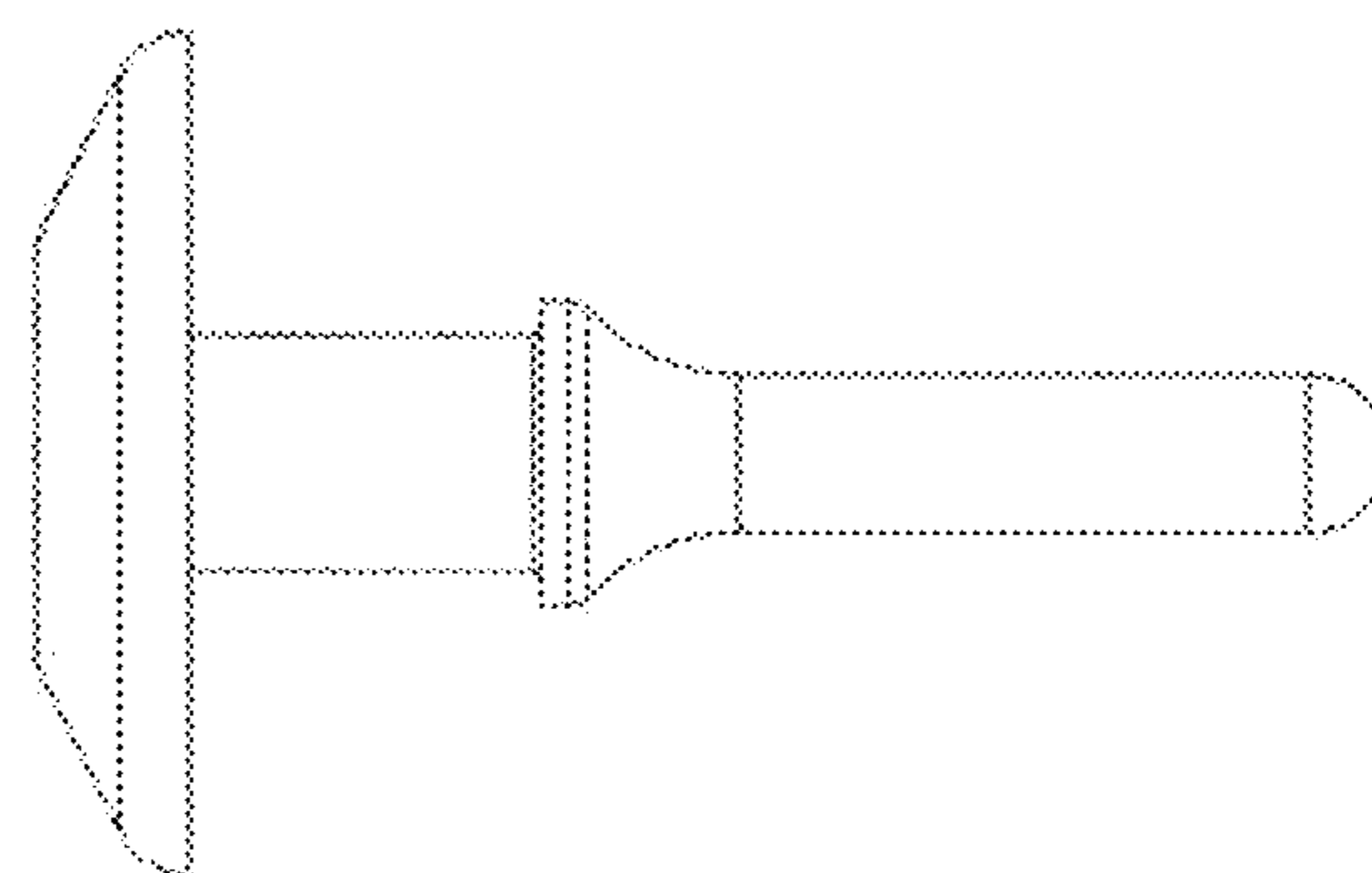


FIG. 2

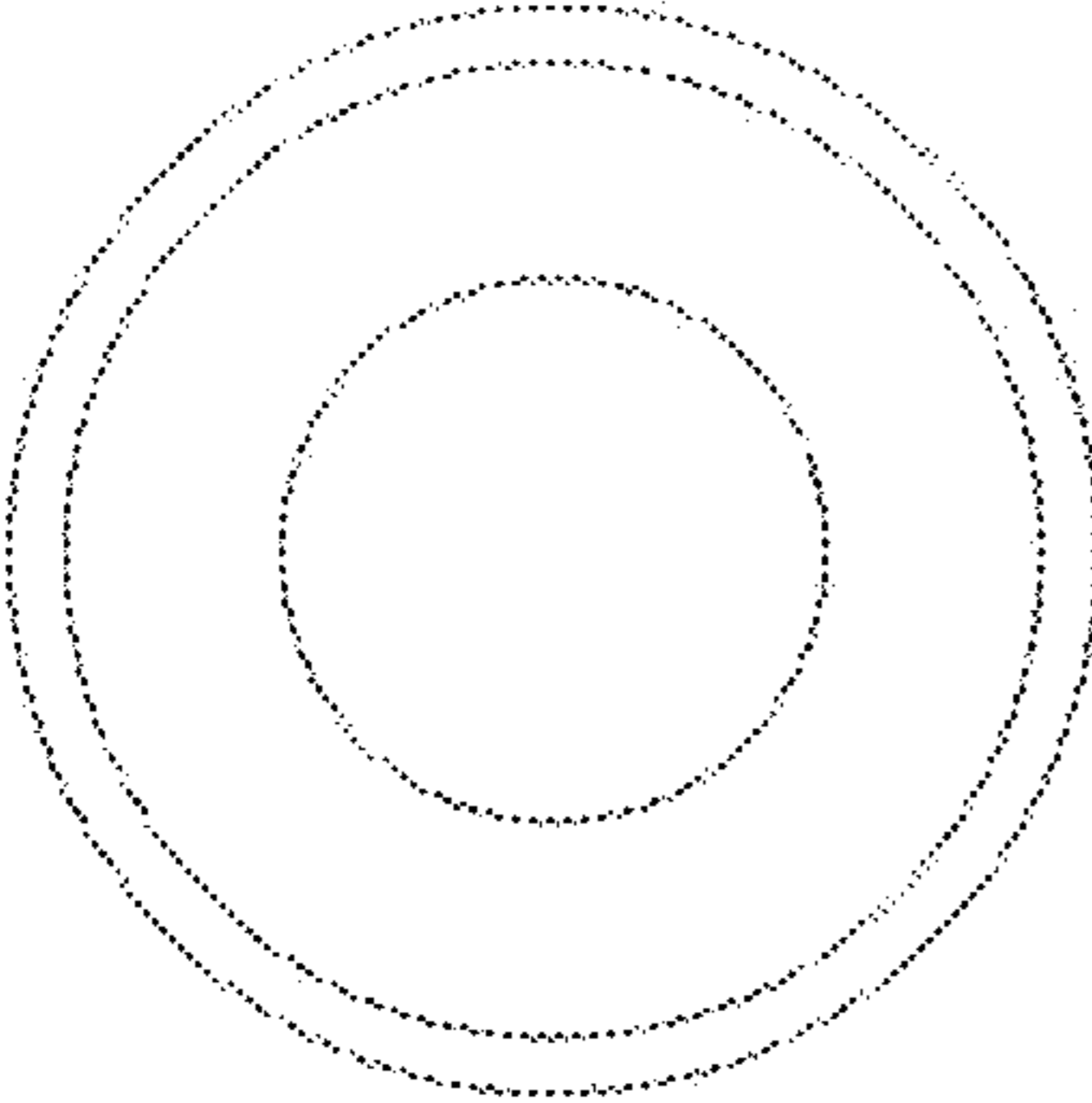


FIG. 3

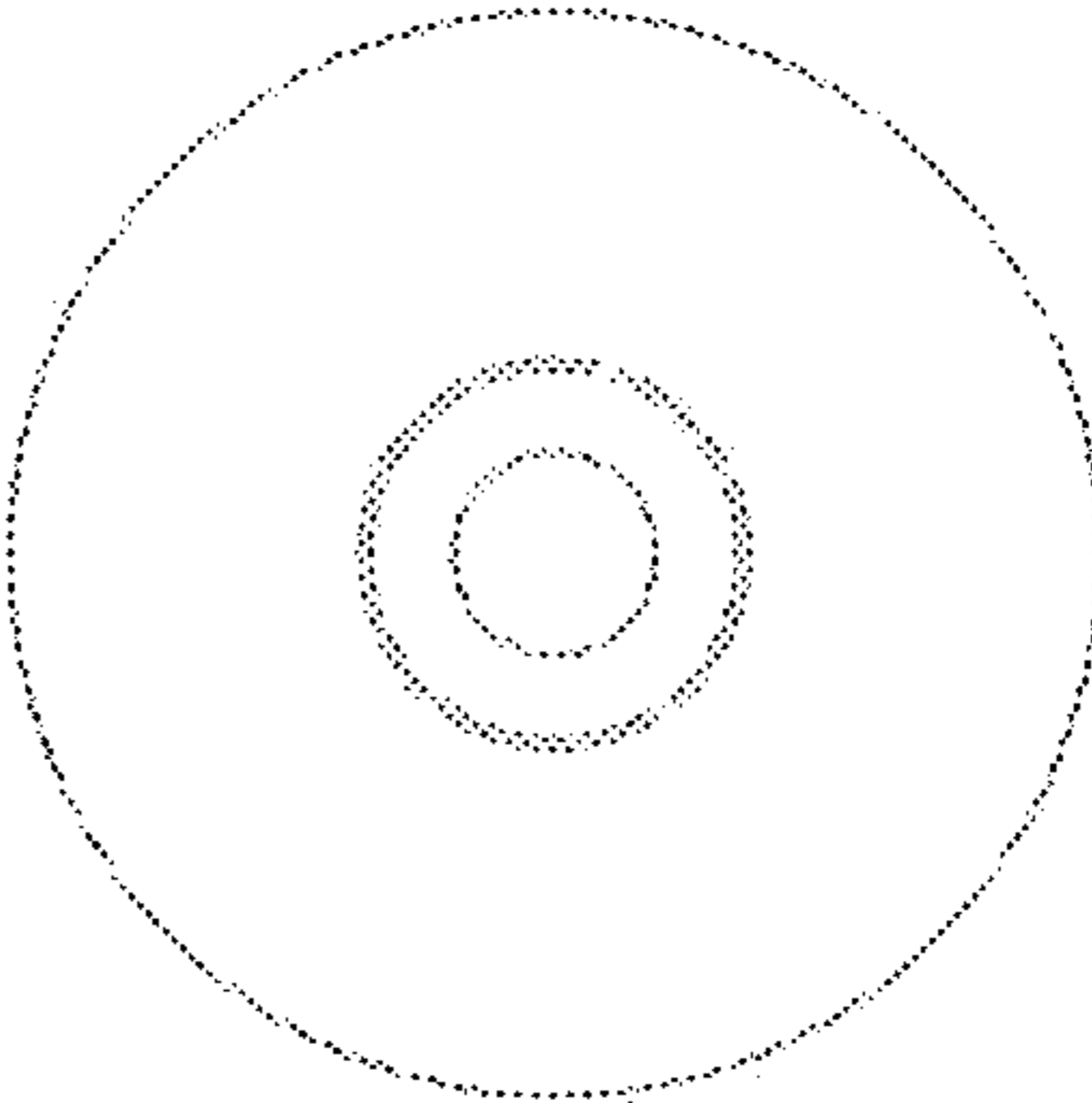


FIG. 4