



US00D931720S

(12) **United States Design Patent**
Chesher-Nguyen

(10) **Patent No.:** **US D931,720 S**

(45) **Date of Patent:** **** Sep. 28, 2021**

(54) **FURNITURE GUARD**

(71) Applicant: **Kim M. Chesher-Nguyen**, N. Chili,
NY (US)

(72) Inventor: **Kim M. Chesher-Nguyen**, N. Chili,
NY (US)

(**) Term: **15 Years**

(21) Appl. No.: **29/708,760**

(22) Filed: **Oct. 9, 2019**

(51) **LOC (13) Cl.** **08-09**

(52) **U.S. Cl.**
USPC **D8/403**

(58) **Field of Classification Search**
USPC D8/395, 400-404, 499, 391, 393, 388,
D8/360, 376, 356; D25/119, 121
CPC Y10T 428/24198; Y10T 428/2902; B60R
13/043
See application file for complete search history.

(56) **References Cited**

U.S. PATENT DOCUMENTS

2,819,142 A 1/1958 Barrett
D244,166 S * 5/1977 Wittenberg D25/119
D312,439 S * 11/1990 Adell D12/167
5,227,217 A * 7/1993 Roberts B60R 13/043
428/122
D411,739 S * 6/1999 Havens D8/403

(Continued)

FOREIGN PATENT DOCUMENTS

FR 2999065 A1 6/2014
GB 2372204 A 8/2002

OTHER PUBLICATIONS

MBuuy, http://www.mbuuy.com/p/560692226682?_route_=p/560692226682, Downloaded May 29, 2018 (17 pgs).

(Continued)

Primary Examiner — Keli L Hill

Assistant Examiner — Harold E Blackwell, II

(74) *Attorney, Agent, or Firm* — Heslin Rothenberg
Farley & Mesiti, P.C.

(57) **CLAIM**

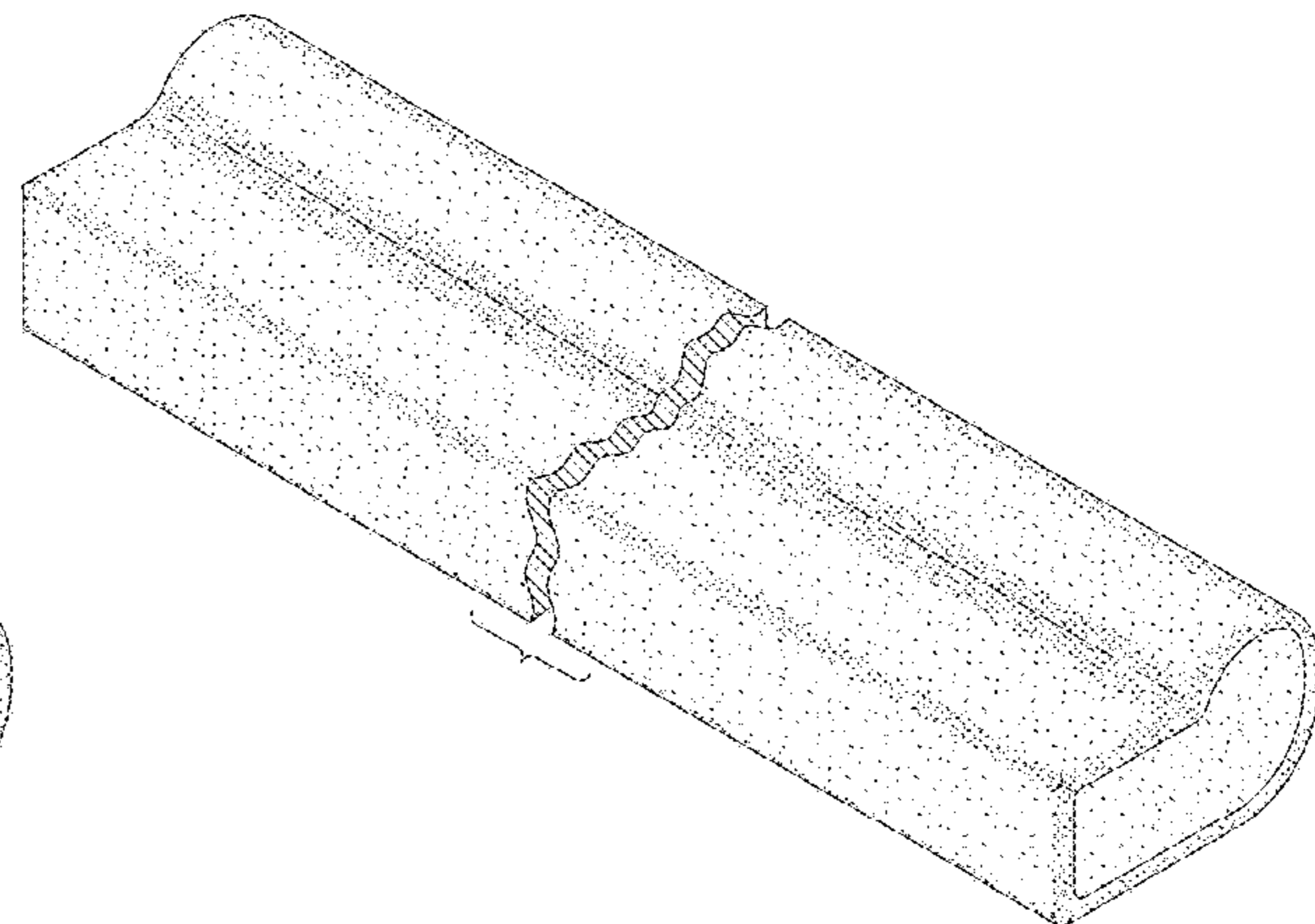
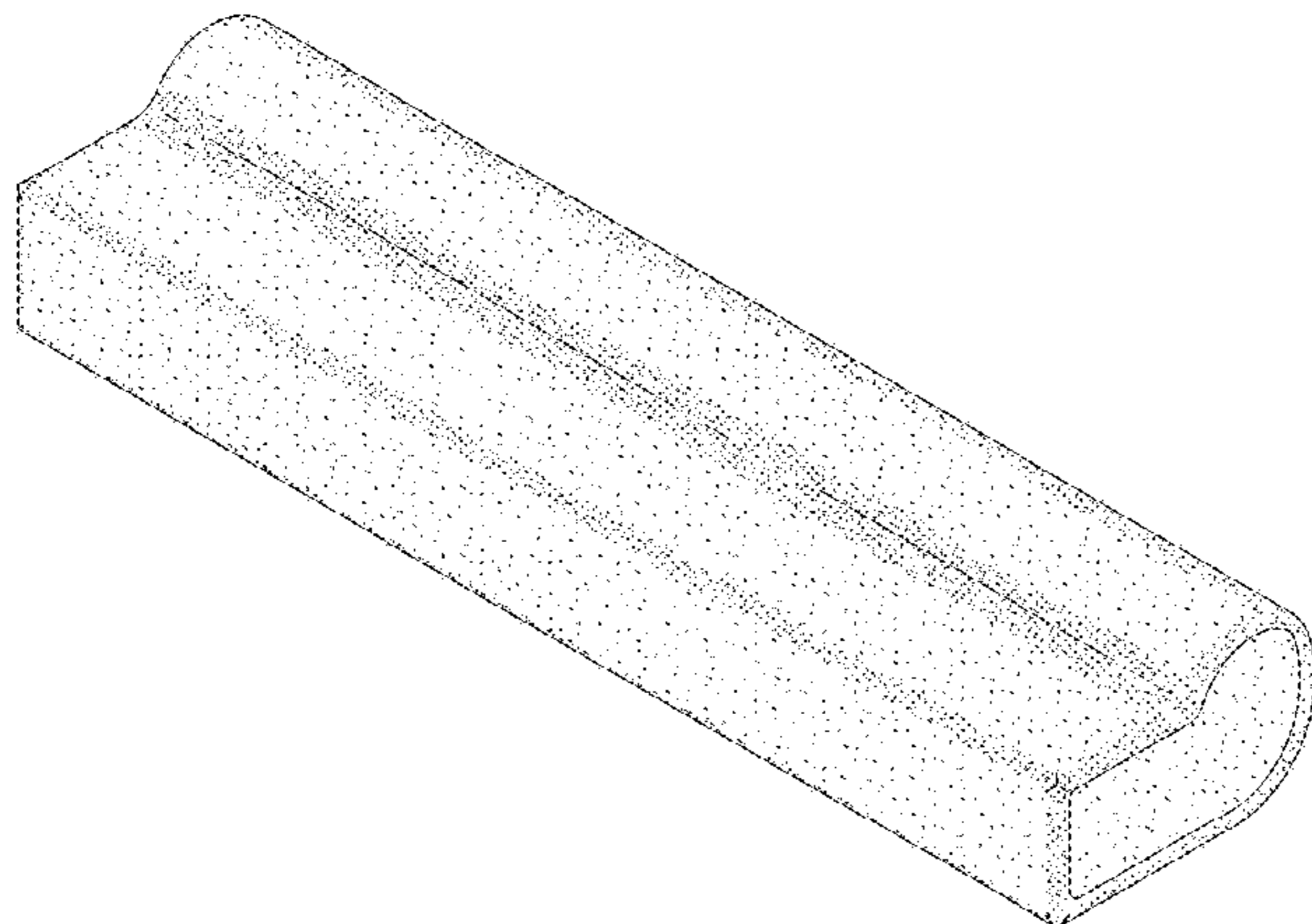
The ornamental design for a furniture guard, as shown and described.

DESCRIPTION

FIG. 1 is a front perspective view of the furniture guard comprising my new design;
FIG. 2 is a front elevational view of the design of FIG. 1;
FIG. 3 is a rear elevational view of the design of FIG. 1;
FIG. 4 is a top plan view of the design in FIG. 1;
FIG. 5 is a bottom plan of the design of FIG. 1;
FIG. 6 is a right side elevational view of the design of FIG. 1;
FIG. 7 is a left side elevational view of the design of FIG. 1;
FIG. 8 is a front perspective view of an alternate embodiment of the furniture guard, portions of which are cut away to illustrate indeterminate length, which is the sole difference between it and FIGS. 1-7;
FIG. 9 is a front elevational view of the design of FIG. 8;
FIG. 10 is a rear elevational view of the design of FIG. 8;
FIG. 11 is a top plan view of the design in FIG. 8;
FIG. 12 is a bottom plan of the design of FIG. 8;
FIG. 13 is a right side elevational view of the design of FIG. 8;
FIG. 14 is a left side elevational view of the design of FIG. 8; and,
FIG. 15 is a perspective view of an alternate embodiment of the furniture guard in FIG. 1.

The furniture guard shown in FIGS. 8-12 are shown with a symbolic break in its length. The appearance of any portion of the article between the break lines forms no part of the claimed design.

1 Claim, 9 Drawing Sheets



(56)

References Cited

U.S. PATENT DOCUMENTS

D446,870	S *	8/2001	Gardner	D25/119
D460,199	S *	7/2002	Brito	D25/113
D461,010	S *	7/2002	Brito	D25/113
D463,170	S *	9/2002	Schultz	D8/403
7,736,711	B2	6/2010	Dobelle		
D625,596	S *	10/2010	Park	D8/402
D675,465	S *	2/2013	Hartelt	D6/707.2
8,485,112	B1	7/2013	Madden		
D715,633	S *	10/2014	Baker	D8/403
9,675,181	B2	6/2017	Caron		
D796,312	S *	9/2017	Zappone	D8/403
D801,798	S *	11/2017	Teng	D8/403
D802,411	S *	11/2017	Teng	D8/403
2003/0230221	A1	12/2003	Savoy		
2004/0129183	A1	7/2004	Owen		
2009/0066206	A1	3/2009	Michaelson		
2012/0304896	A1	12/2012	Webb, Sr. et al.		
2015/0211240	A1	7/2015	Coca		
2016/0029793	A1	2/2016	Wilson et al.		

OTHER PUBLICATIONS

AliExpress, <https://www.aliexpress.com/item/780925986.html>, Downloaded Sep. 27, 2019 (3 pgs).

* cited by examiner

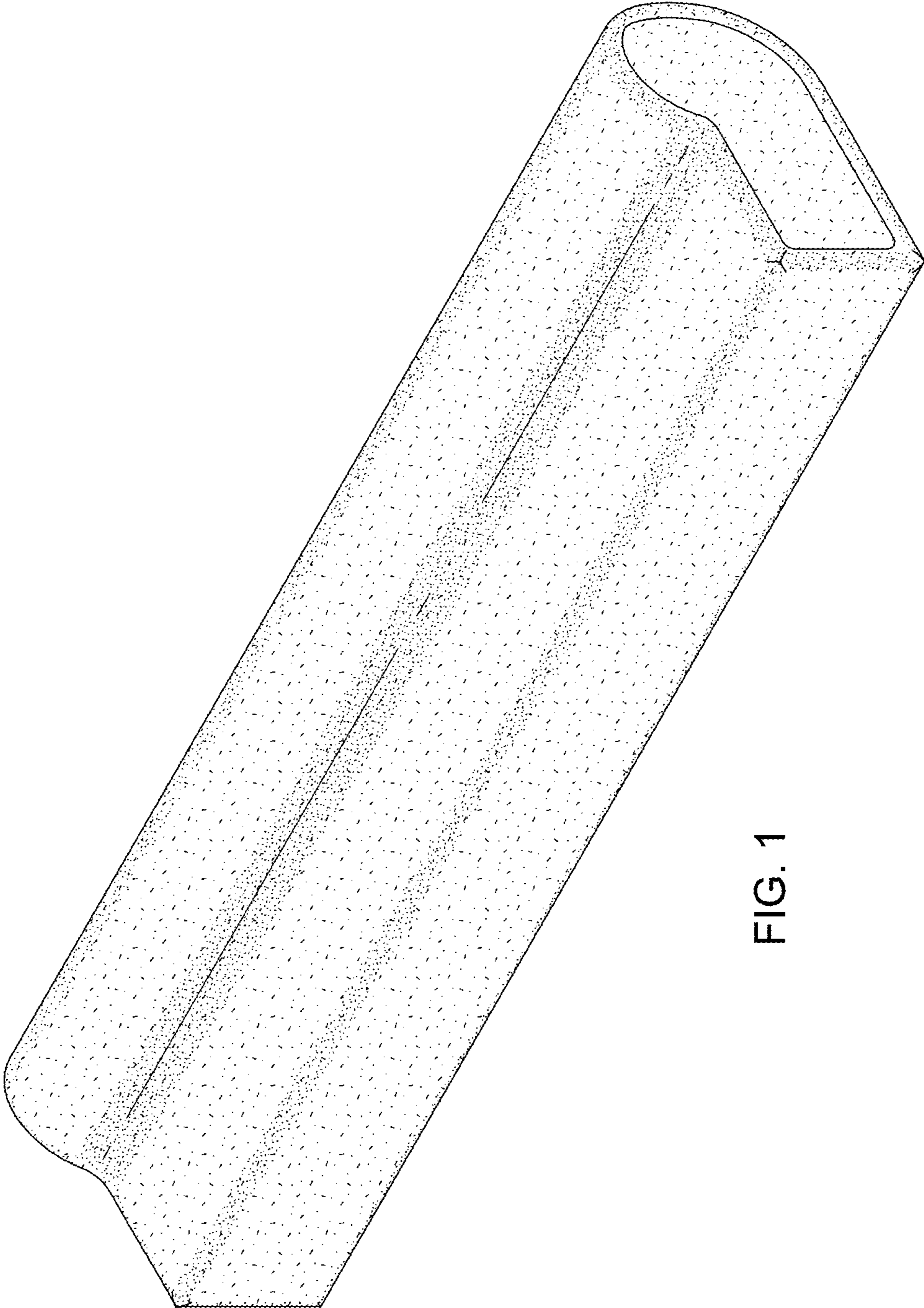


FIG. 1

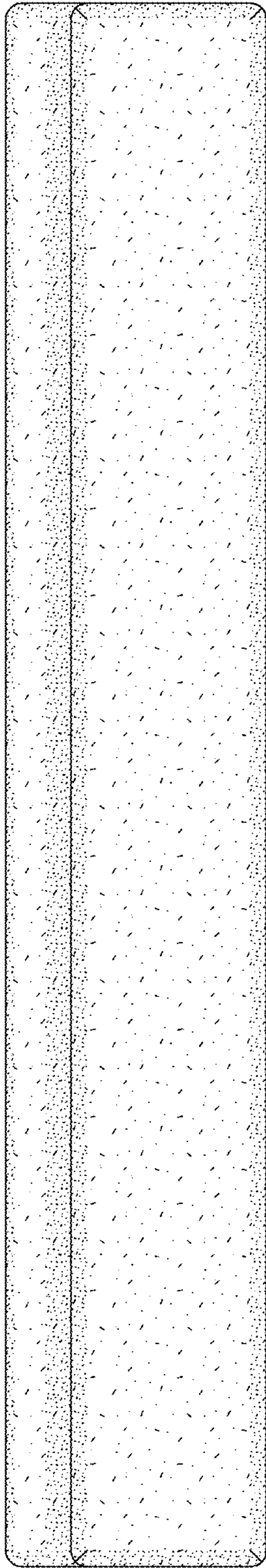


FIG. 2

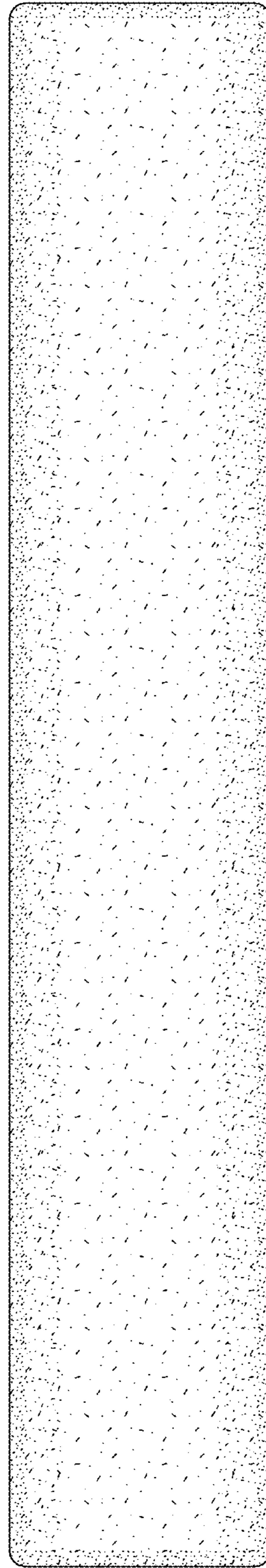


FIG. 3

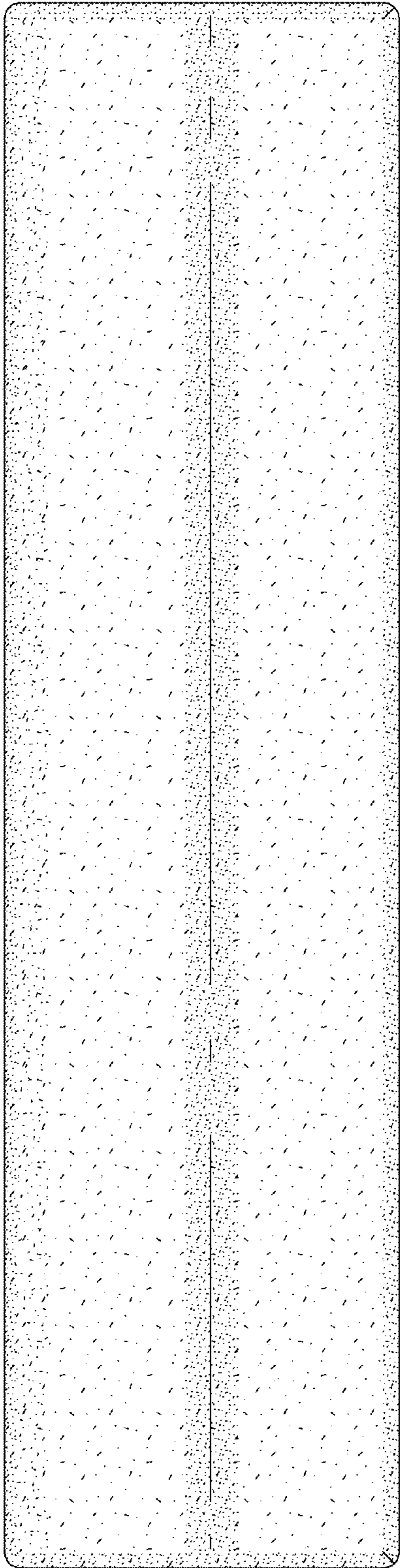


FIG. 4

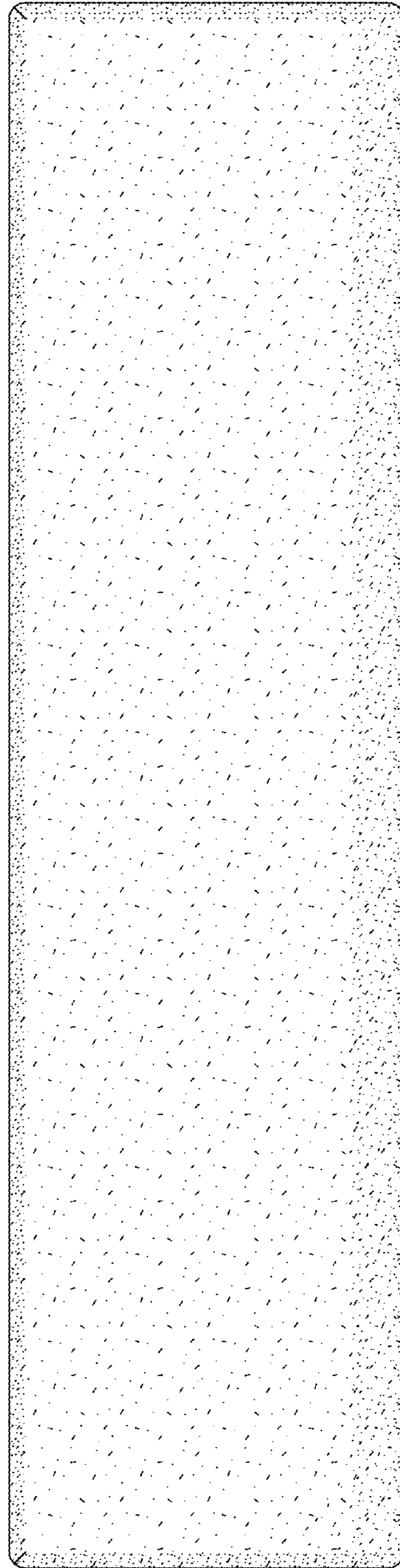


FIG. 5

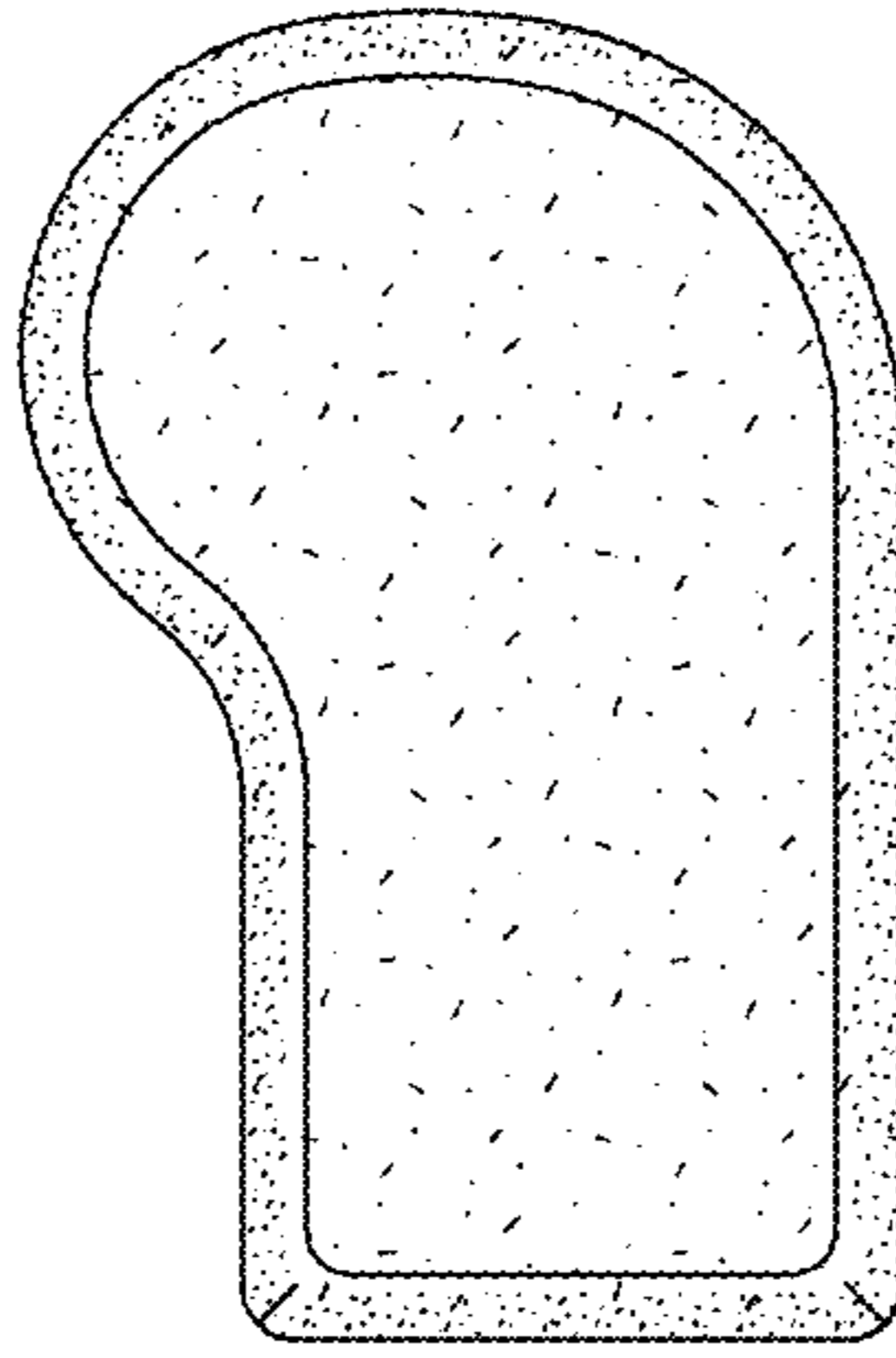


FIG. 7

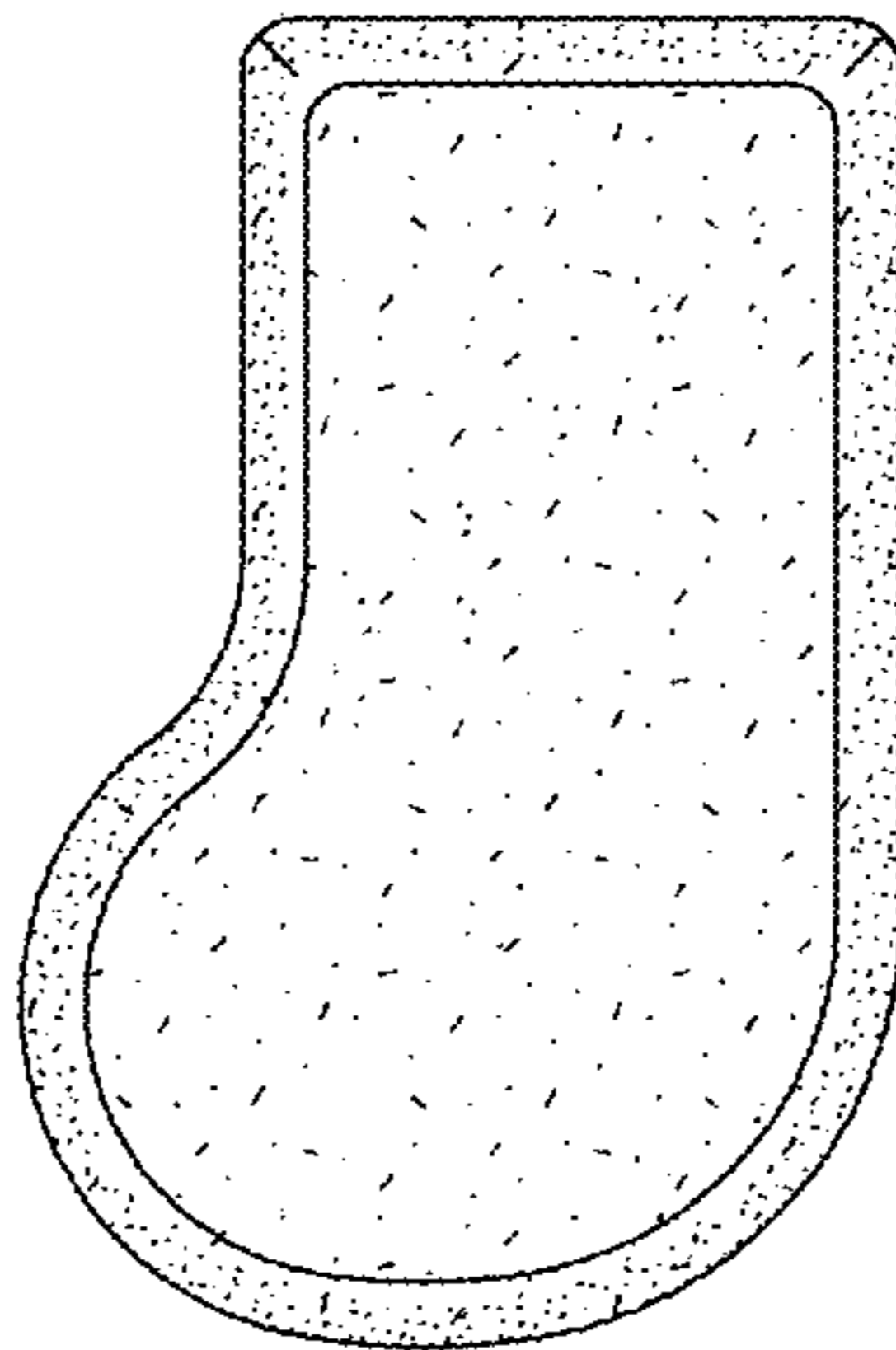


FIG. 6

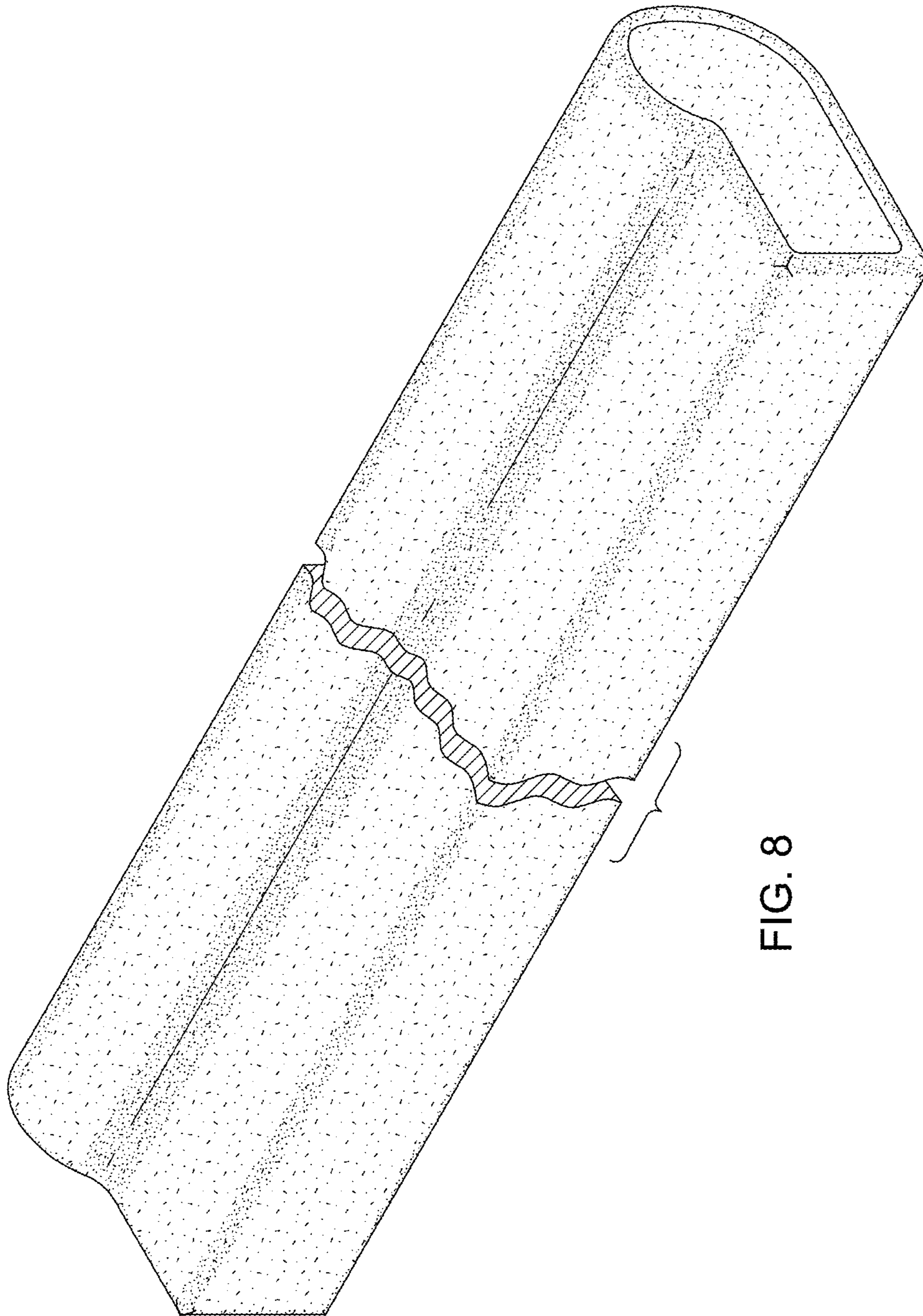


FIG. 8

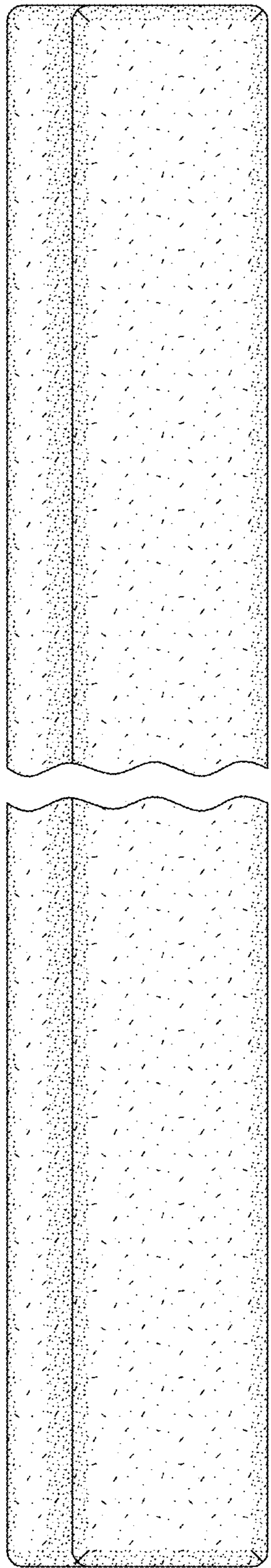


FIG. 9

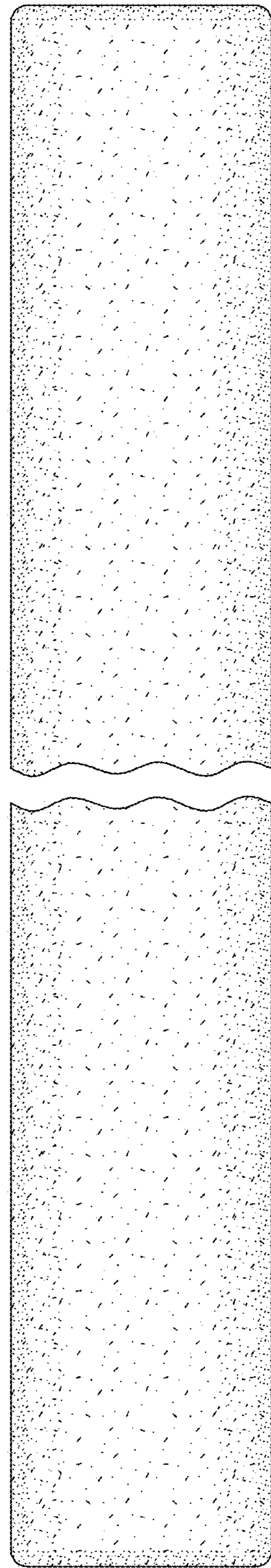


FIG. 10

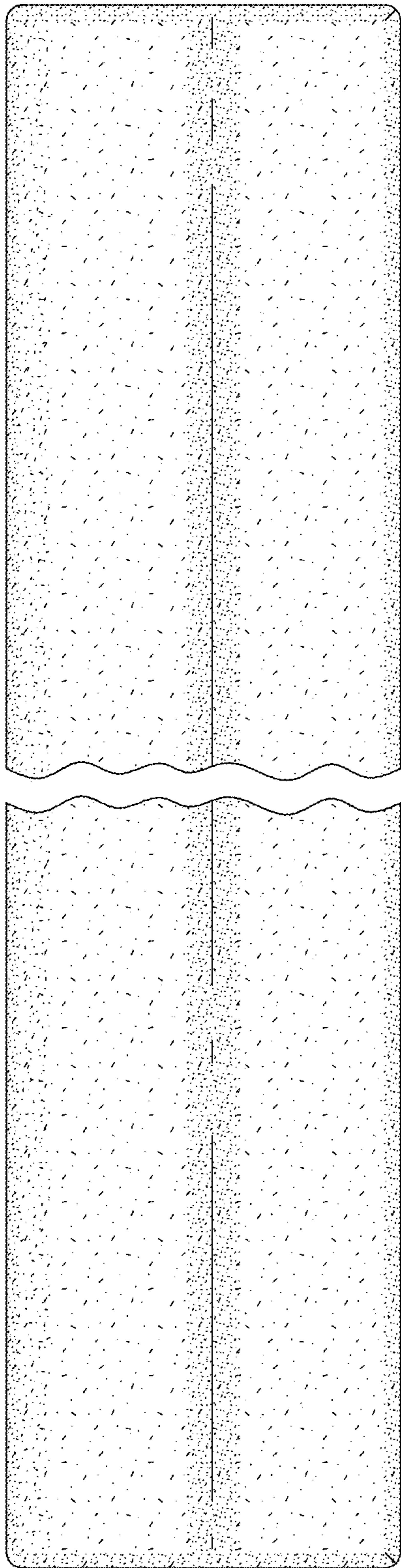


FIG. 11

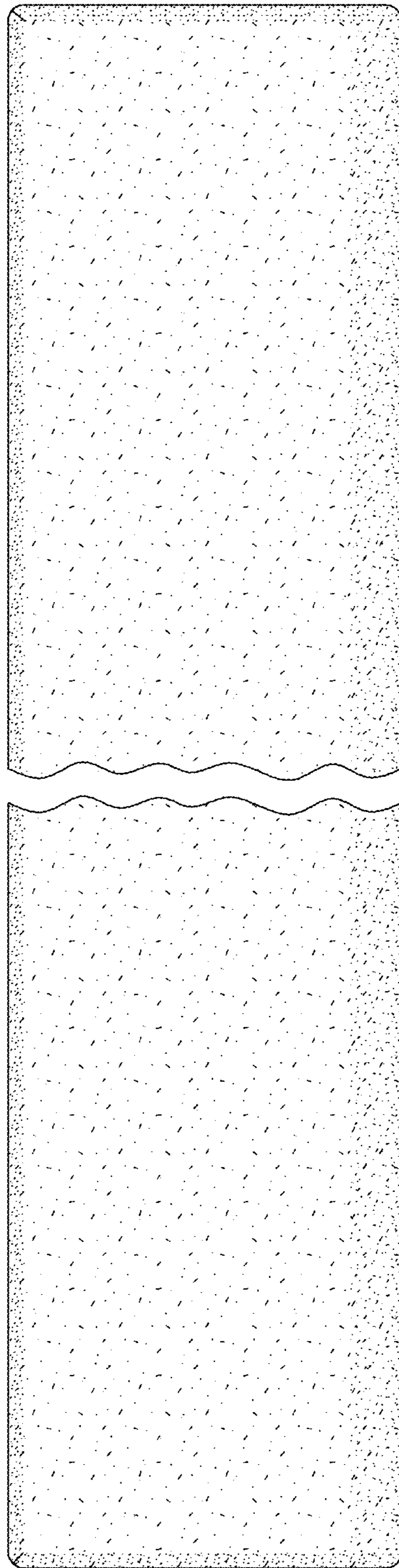


FIG. 12

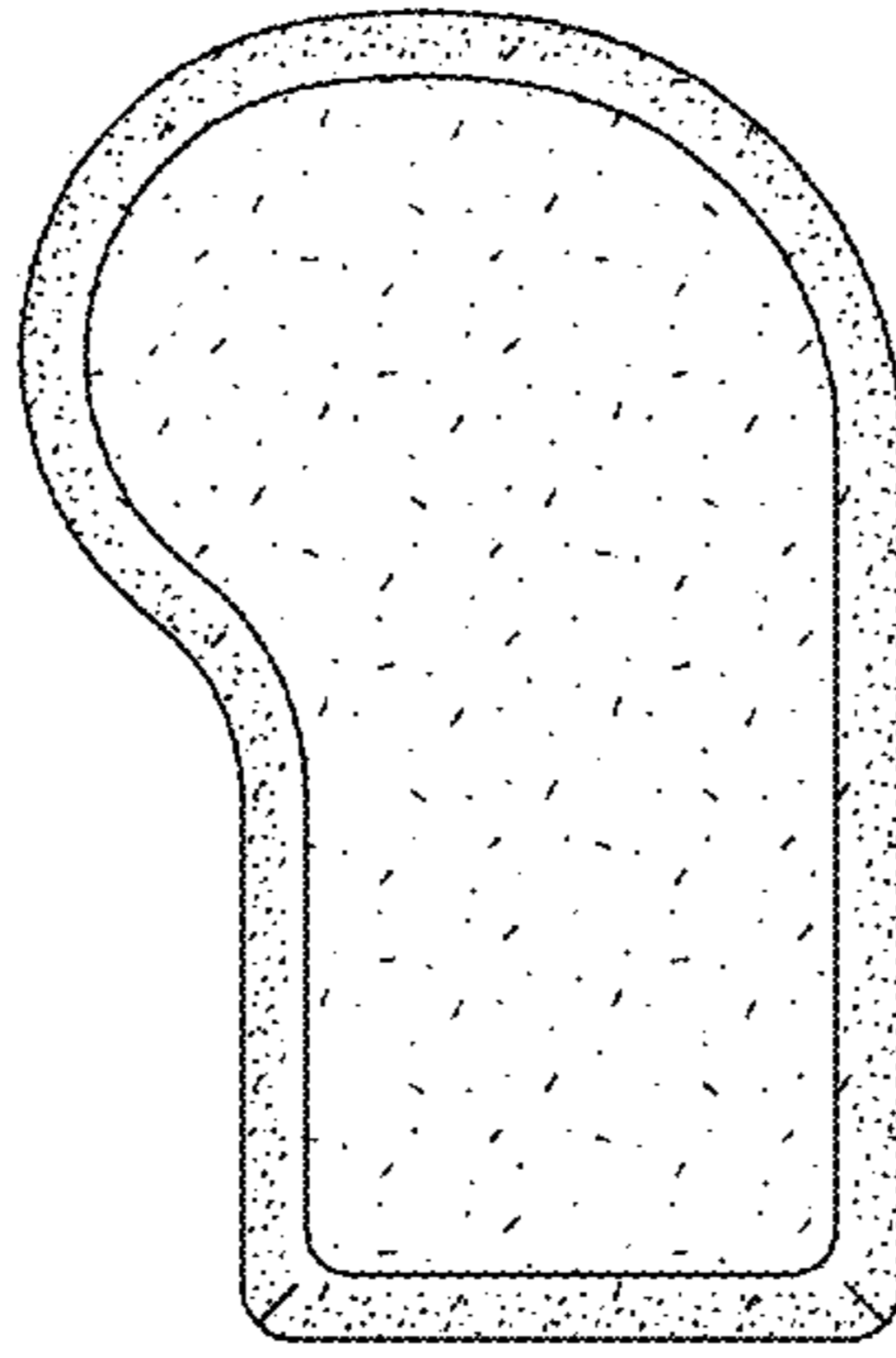


FIG. 14

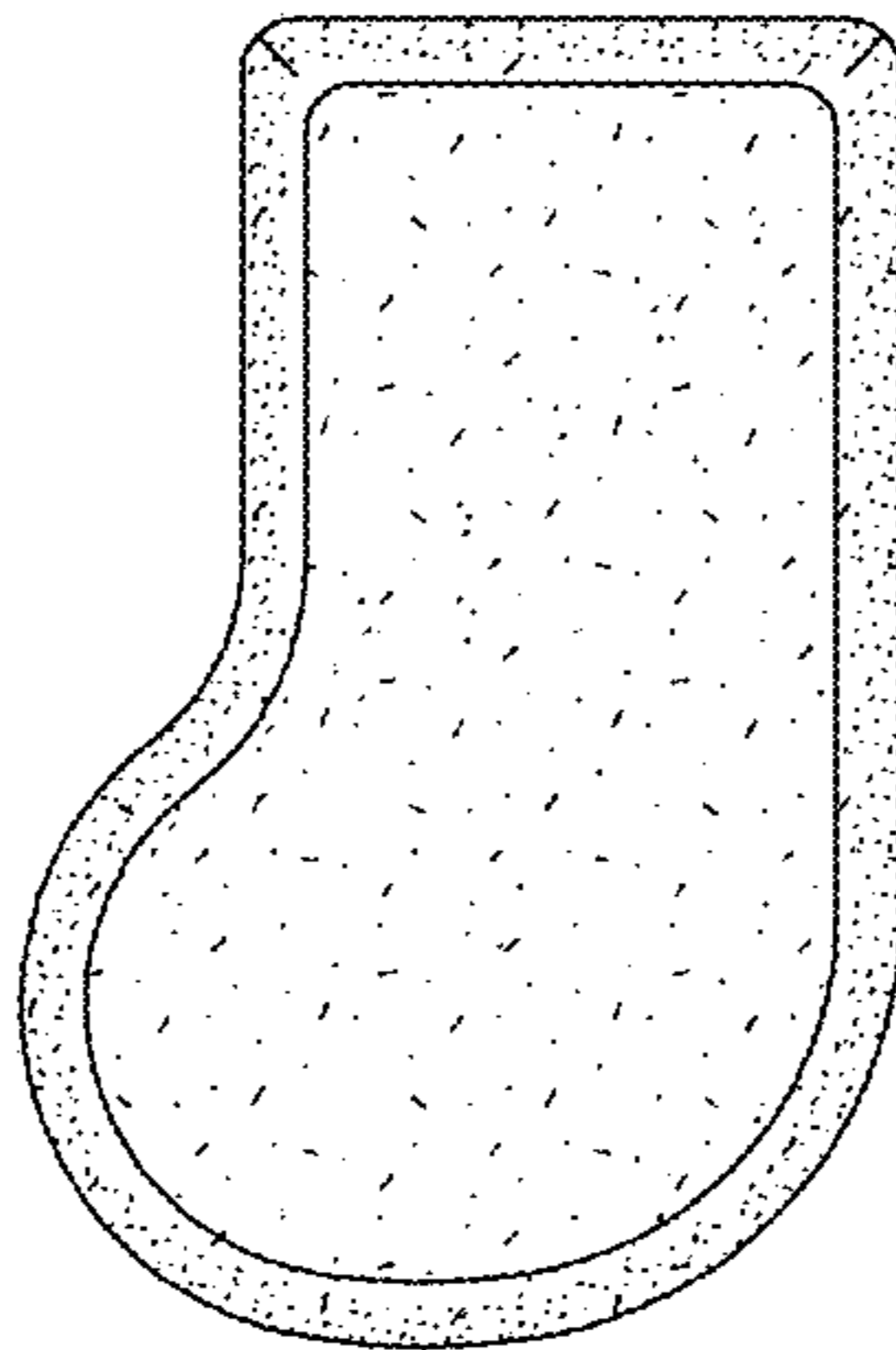


FIG. 13

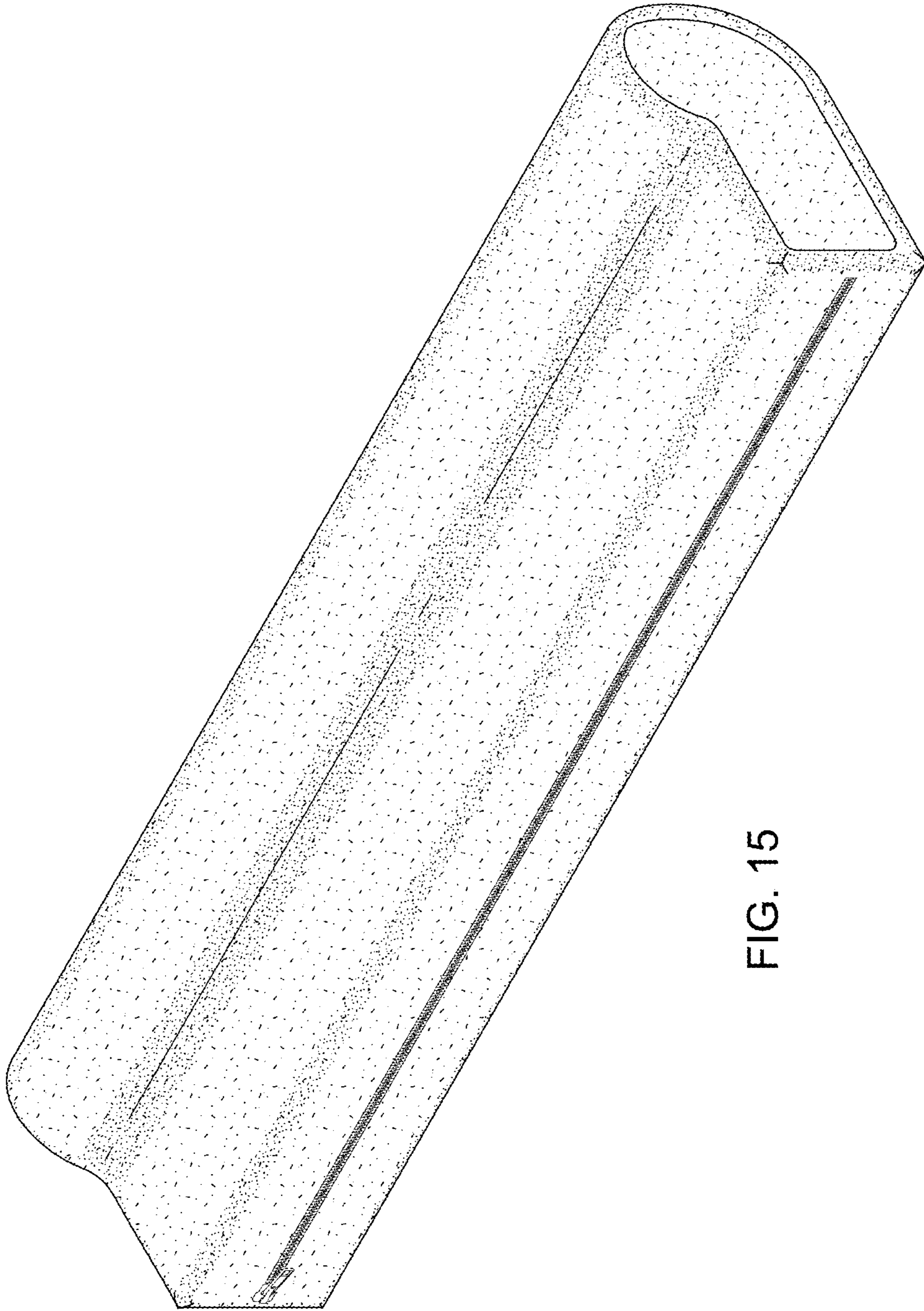


FIG. 15