



US00D931717S

(12) **United States Design Patent** (10) **Patent No.:** **US D931,717 S**  
**Axelsson** (45) **Date of Patent:** **\*\* Sep. 28, 2021**

(54) **FASTENING DEVICE**

(71) Applicant: **MAFI AB**, Mora (SE)

(72) Inventor: **Andreas Axelsson**, Malung (SE)

(73) Assignee: **MAFI AB**, Mora (SE)

(\*\*) Term: **15 Years**

(21) Appl. No.: **29/725,360**

(22) Filed: **Feb. 25, 2020**

(30) **Foreign Application Priority Data**

Sep. 5, 2019 (EM) ..... 006814539

(51) **LOC (13) Cl.** ..... **08-08**

(52) **U.S. Cl.**

USPC ..... **D8/382**

(58) **Field of Classification Search**

USPC ..... D8/44, 71, 72, 382, 349, 354, 394, 383,  
D8/499; D10/103, 121; D13/133, 149,  
D13/154

CPC ..... H01Q 1/12; H01Q 1/1207; H01Q 1/1228;  
H01Q 1/125; F16L 3/02; F16L 3/10;  
F16L 3/1016; F16L 3/1091; F16M  
13/022; F16B 2/12; F16B 2/065; F16B  
7/00; F16B 7/04; F16B 7/0446; F16B  
7/0486

See application file for complete search history.

D296,545 S \* 7/1988 Sachs ..... D13/149  
D296,546 S \* 7/1988 Sachs ..... D13/149  
D305,219 S \* 12/1989 Wood ..... D12/133  
D332,939 S \* 2/1993 McDonough, Jr. .... D13/149  
5,274,888 A \* 1/1994 Payne ..... F16L 3/02  
24/277  
D347,990 S \* 6/1994 Petrohilos ..... D8/382  
D371,059 S \* 6/1996 Howe ..... D8/72  
D381,113 S \* 7/1997 Safyan ..... D13/149  
D397,013 S \* 8/1998 Horne ..... D8/71  
6,283,425 B1 \* 9/2001 Liljevik ..... H01Q 1/125  
248/218.4  
D454,479 S \* 3/2002 Kolpin ..... D8/349  
6,402,096 B1 \* 6/2002 Ismert ..... F16L 3/243  
248/68.1  
D472,454 S \* 4/2003 Levay ..... D8/382  
D565,402 S \* 4/2008 Curran ..... D8/499  
D574,225 S \* 8/2008 Scheib ..... D8/382  
D593,848 S \* 6/2009 Balemi ..... D15/28  
D593,849 S \* 6/2009 Balemi ..... D15/28  
D599,198 S \* 9/2009 Balemi ..... D8/382  
D659,522 S \* 5/2012 Noturno ..... F16B 5/0028  
D8/382  
D661,713 S \* 6/2012 Marchesan ..... D15/28

(Continued)

*Primary Examiner* — Sandra Snapp  
*Assistant Examiner* — Ieisha N Price  
(74) *Attorney, Agent, or Firm* — Nixon & Vanderhye P.C.

(57) **CLAIM**

The ornamental design for a fastening device, as shown and described.

**DESCRIPTION**

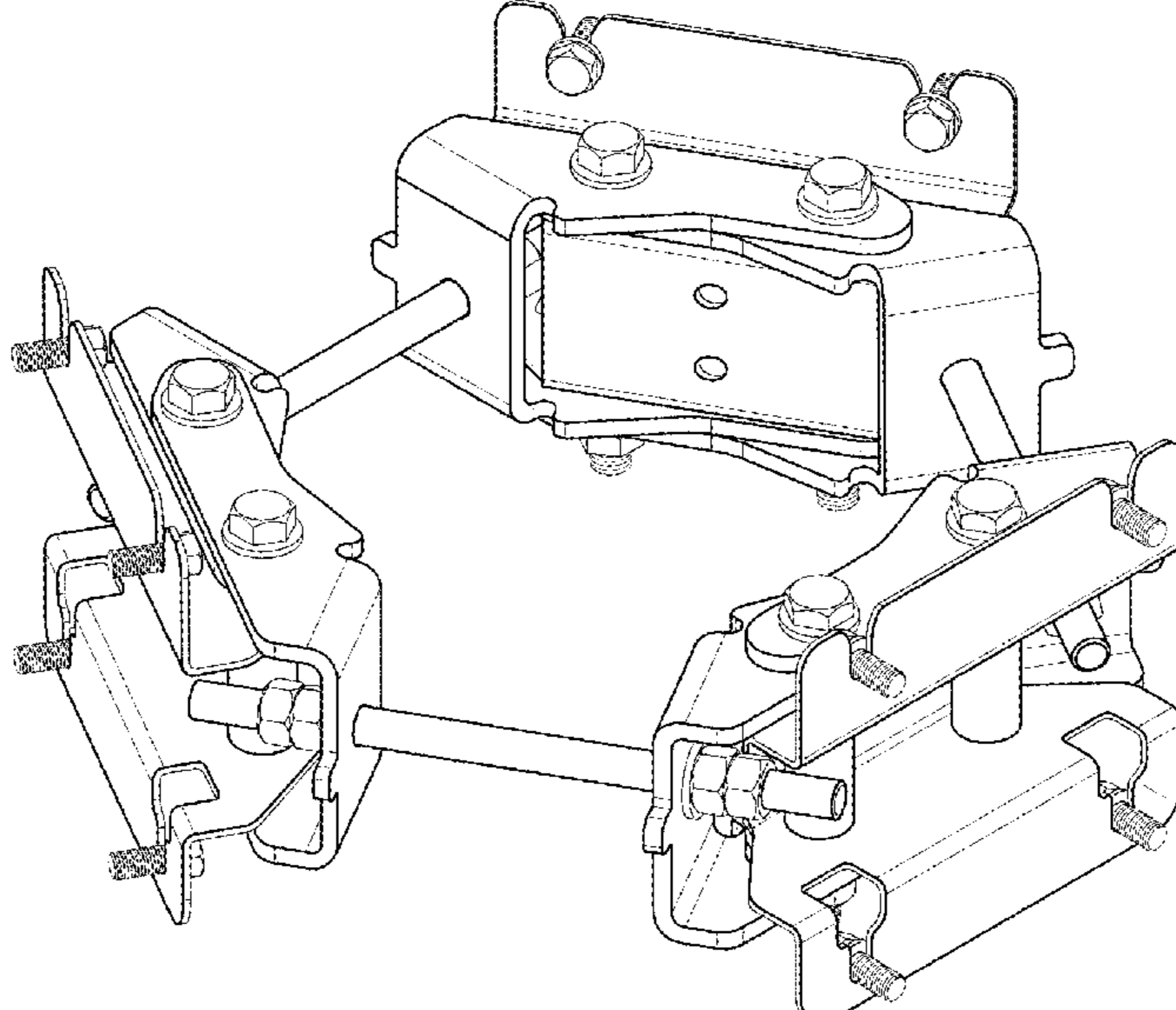
FIG. 1 is a perspective view of the fastening device;  
FIG. 2 is a right side view thereof;  
FIG. 3 is a left side view thereof;  
FIG. 4 is a top view thereof;  
FIG. 5 is a bottom view thereof;  
FIG. 6 is a front view thereof; and,  
FIG. 7 is a rear view thereof.

**1 Claim, 7 Drawing Sheets**

(56) **References Cited**

U.S. PATENT DOCUMENTS

2,890,848 A \* 6/1959 Johnson, Jr. .... B23Q 3/1546  
248/74.4  
D255,578 S \* 6/1980 Herczeg ..... 82/166  
D257,663 S \* 12/1980 McKee ..... D8/354  
D257,664 S \* 12/1980 McKee ..... D8/354  
D280,288 S \* 8/1985 Lickton ..... D8/499  
D286,977 S \* 12/1986 Steck ..... D8/394



(56)

References Cited

U.S. PATENT DOCUMENTS

8,721,185 B2 *	5/2014	Marchesan	.....	A01B 59/002	384/428	2002/0105477 A1 *	8/2002	Bragg	.....	H01Q 19/13	343/892
D752,415 S *	3/2016	Lu	.....	D8/349		2002/0162924 A1 *	11/2002	Herzog	.....	H01Q 1/246	248/218.4
D754,529 S *	4/2016	Kunreuther	.....	D8/382		2009/0289158 A1 *	11/2009	Nelson	.....	H01Q 1/1207	248/220.21
D758,171 S *	6/2016	Kim	.....	D8/356		2010/0298827 A1 *	11/2010	Cremer	.....	F16B 7/0493	606/54
D758,178 S *	6/2016	Kim	.....	D8/396		2011/0083399 A1 *	4/2011	Lettkeman	.....	H01Q 1/1228	52/745.21
D768,469 S *	10/2016	Bengtsson	.....	D8/382		2013/0256477 A1 *	10/2013	Fackler	.....	F16M 11/10	248/201
D782,292 S *	3/2017	Wessel	.....	D8/382		2016/0211569 A1 *	7/2016	Skrepcinski	.....	H01Q 1/1228	
D850,890 S *	6/2019	Cole	.....	D8/354		2016/0294036 A1 *	10/2016	Christie	.....	H01Q 1/1228	
D850,892 S *	6/2019	Lin	.....	D8/373		2016/0322697 A1 *	11/2016	Skrepcinski	.....	H01Q 1/1235	
D854,403 S *	7/2019	Guo	.....	D8/382		2017/0122491 A1 *	5/2017	Mancuso	.....	F16M 13/02	
D876,201 S *	2/2020	Wassdahl	.....	D8/349		2017/0310023 A1 *	10/2017	Trombley	.....	H01R 4/46	
D876,211 S *	2/2020	Wassdahl	.....	D8/382		2018/0083337 A1 *	3/2018	Roy	.....	H01Q 1/1228	
D877,602 S *	3/2020	Nolfi	.....	D8/382		2019/0203878 A1 *	7/2019	Deng	.....	H01Q 1/1228	
D880,279 S *	4/2020	Marchesan	.....	D8/354		2020/0018424 A1 *	1/2020	Comalander	.....	F16L 3/20	
D886,572 S *	6/2020	Axelsson	.....	D8/382		2020/0191325 A1 *	6/2020	Roberts	.....	F16B 2/10	
D890,597 S *	7/2020	Qi	.....	D8/354		2020/0321678 A1 *	10/2020	Renilson	.....	H01Q 1/1228	
D907,991 S *	1/2021	Axelsson	.....	D8/382		2021/0010616 A1 *	1/2021	Comalander	.....	F16L 3/02	
2002/0096610 A1 *	7/2002	Fernandez	.....	G09F 15/0037	248/218.4						

\* cited by examiner

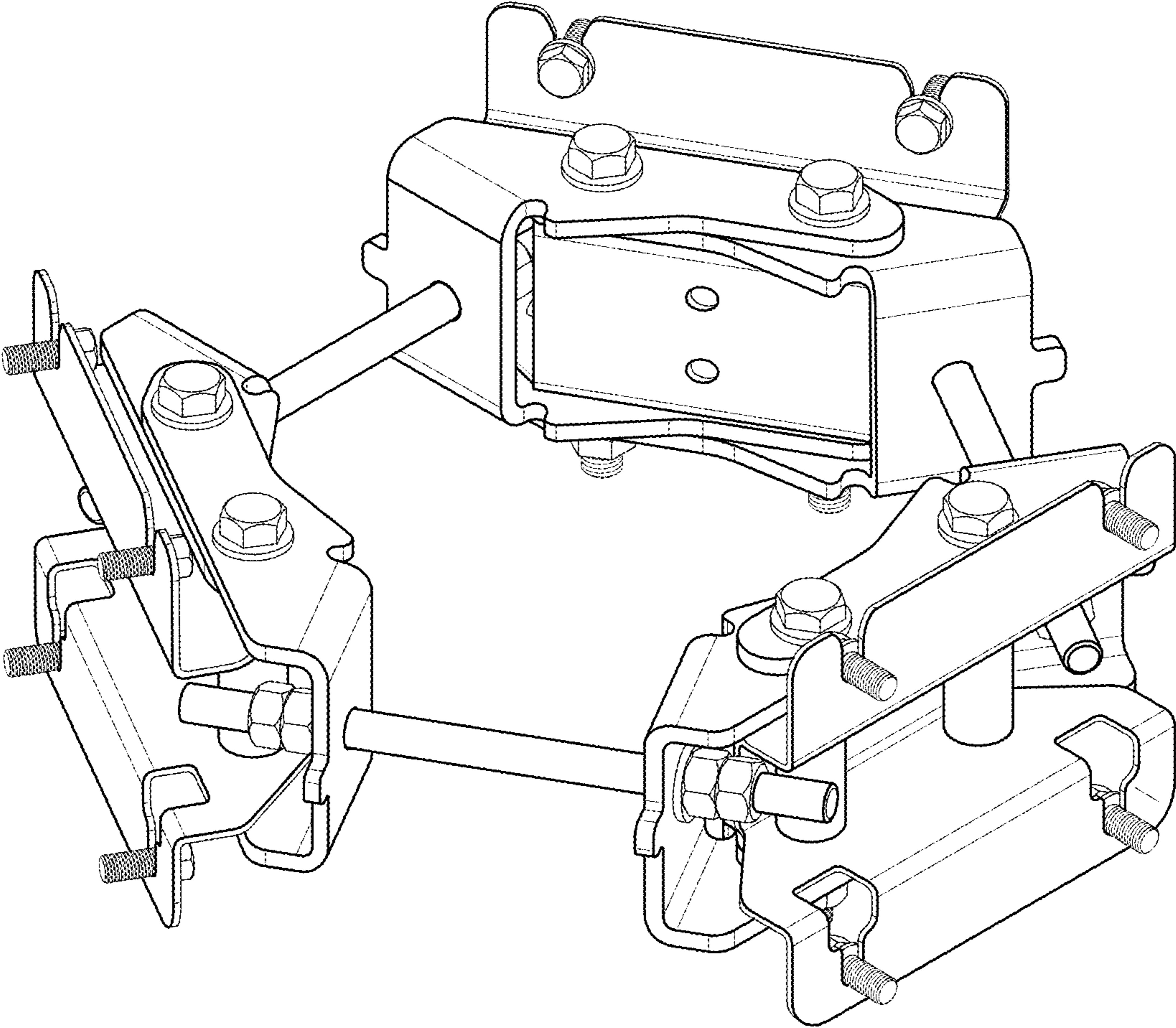


FIG. 1

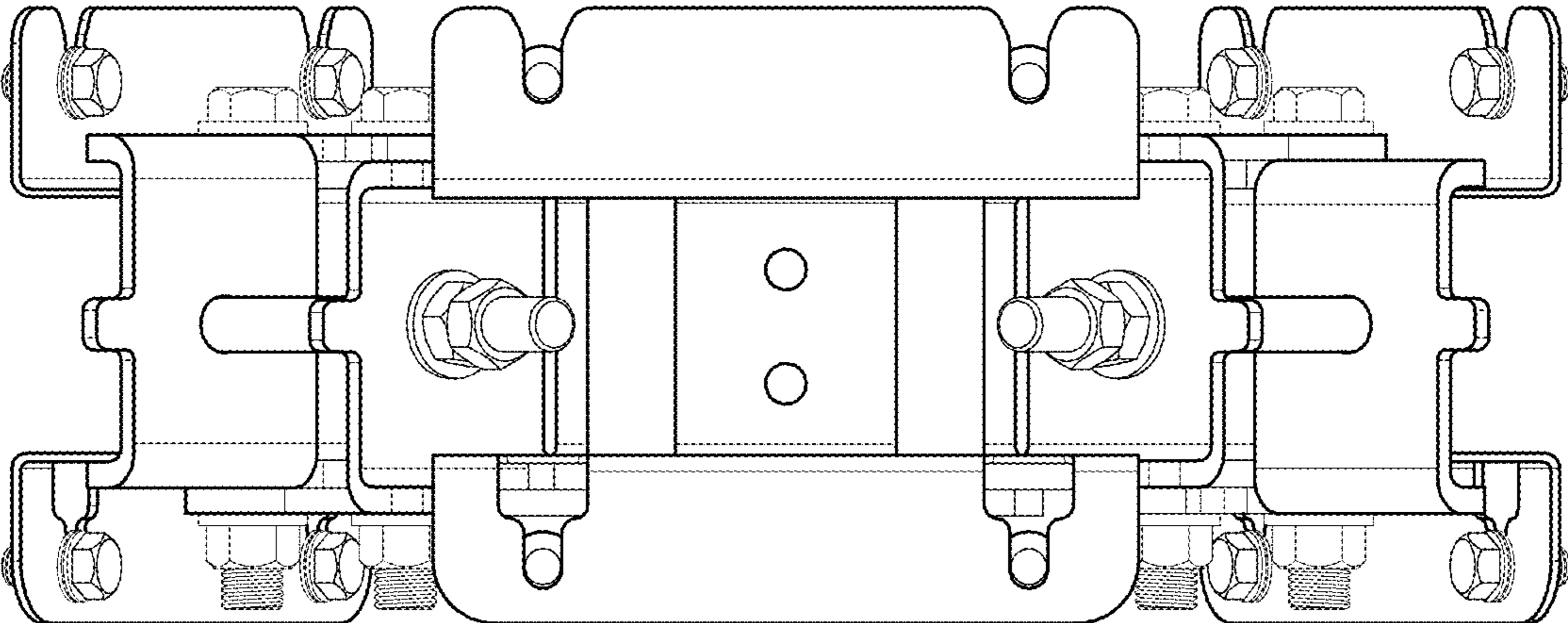


FIG. 2

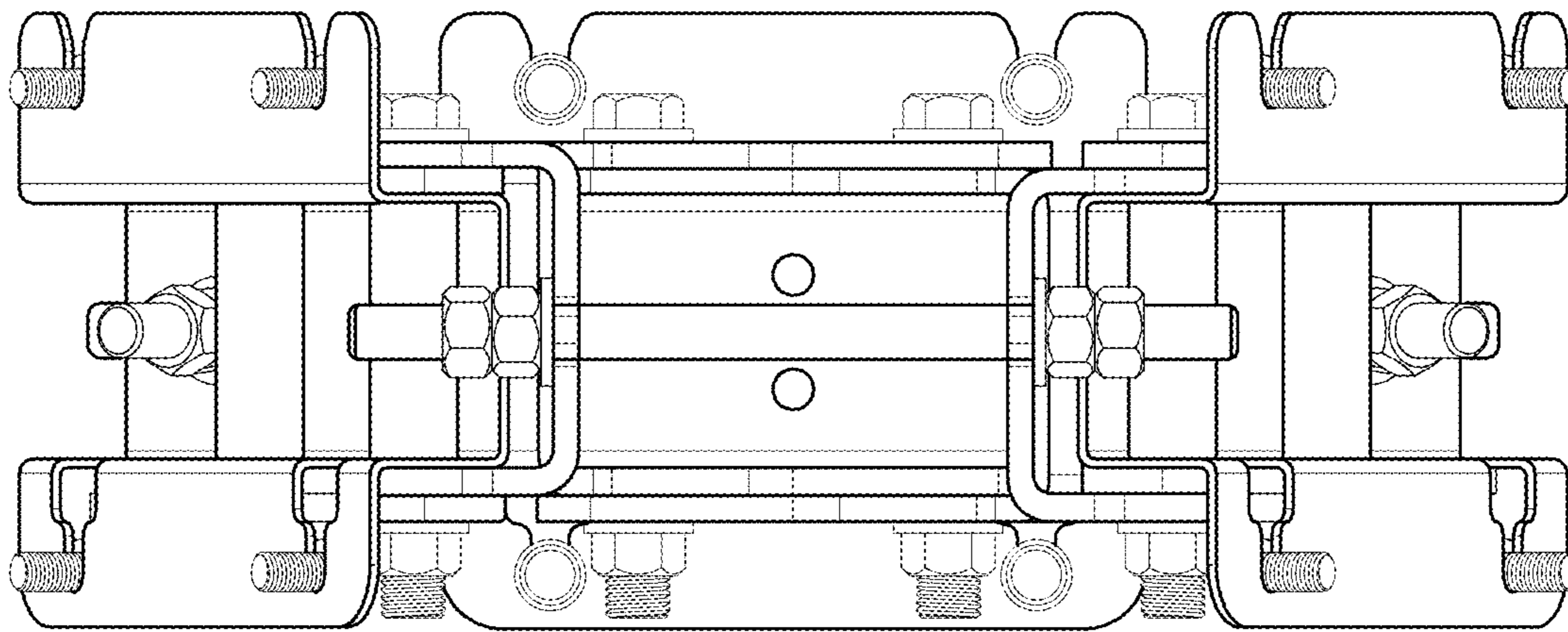


FIG. 3

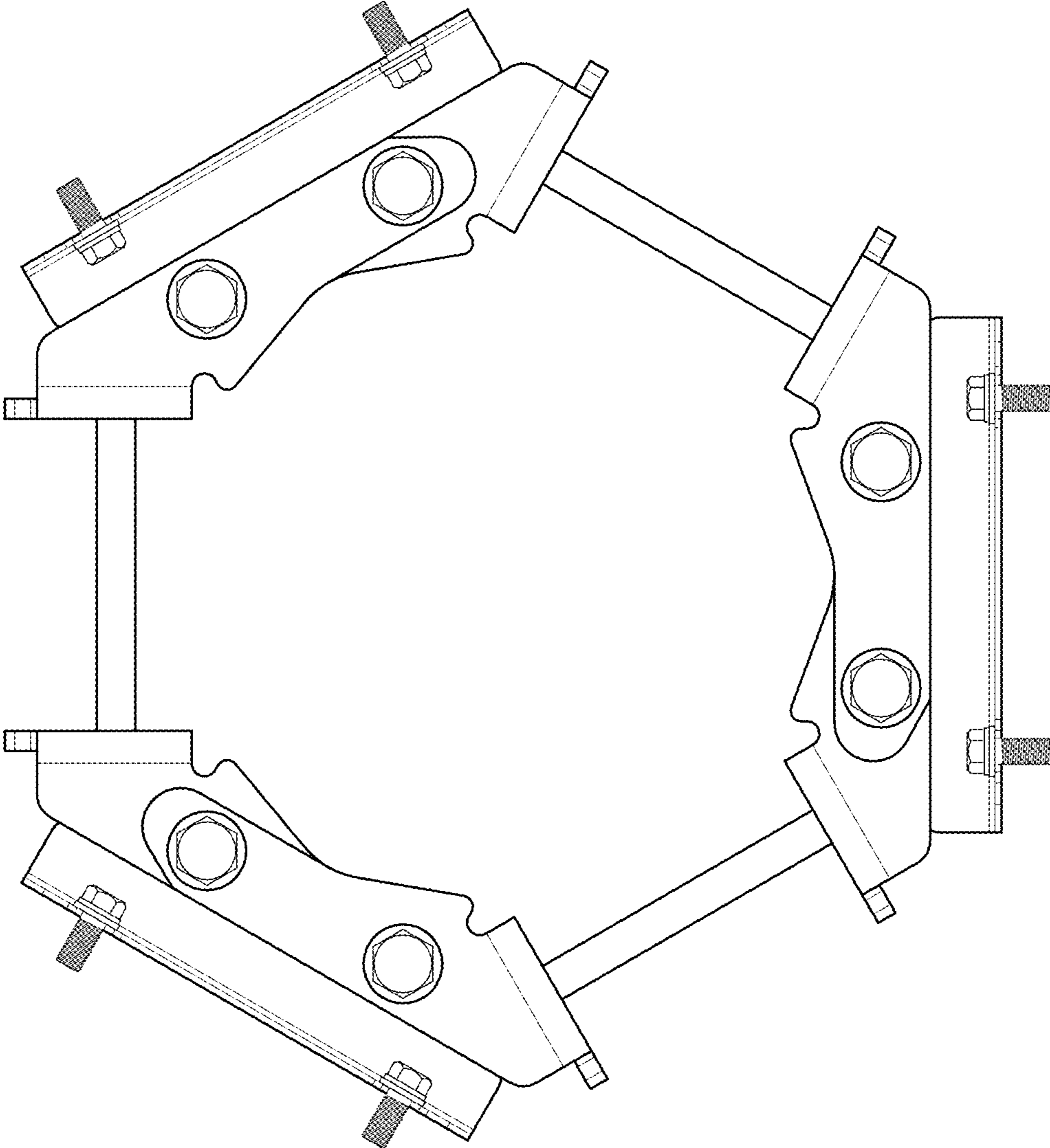


FIG. 4

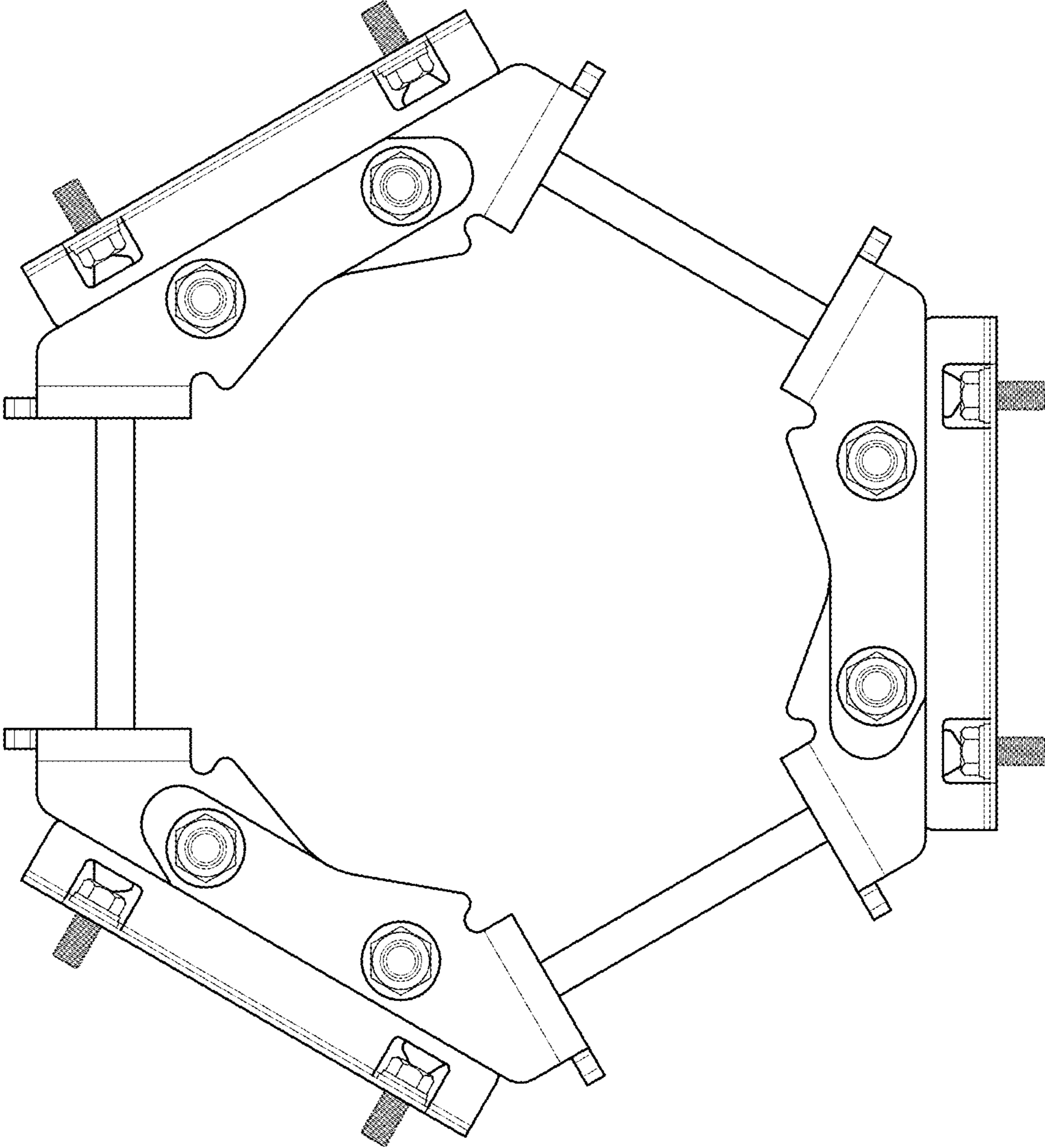


FIG. 5

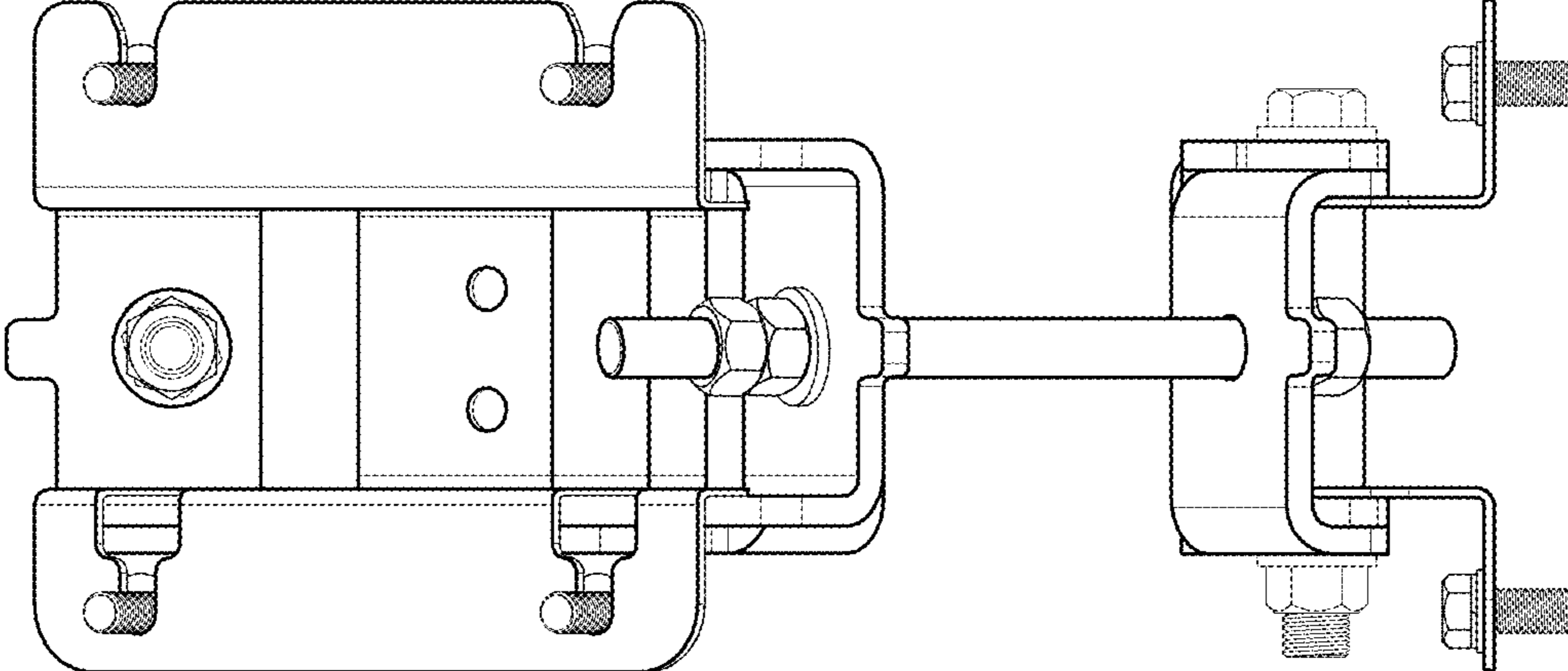


FIG. 6



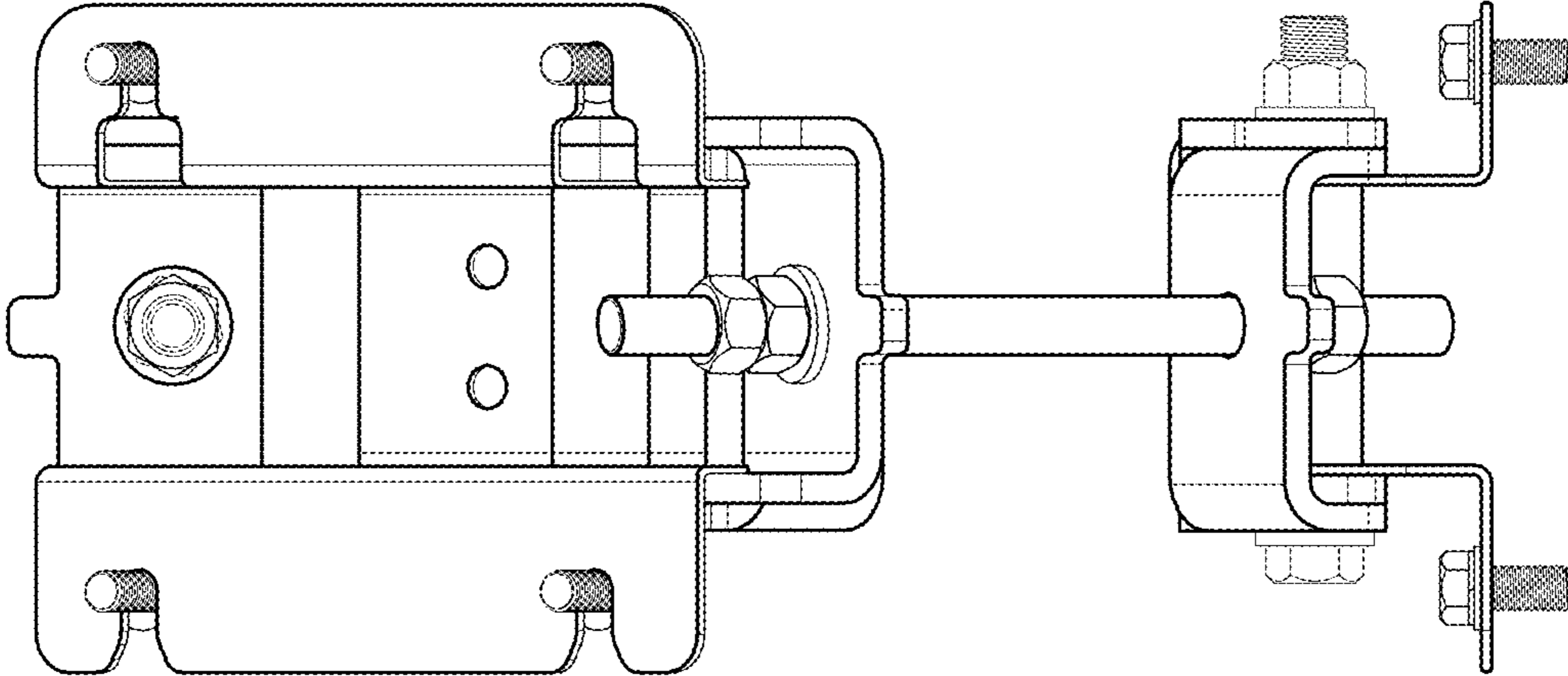


FIG. 7