



US00D931715S

(12) **United States Design Patent** (10) **Patent No.:** **US D931,715 S**  
**Hung et al.** (45) **Date of Patent:** **\*\* Sep. 28, 2021**

(54) **INSULATING CARABINER HOOK**

(71) Applicant: **YOKE INDUSTRIAL CORP.**,  
Taichung (TW)

(72) Inventors: **Wei-Chieh Hung**, Taichung (TW);  
**Chia-Hsien Wang**, Changhua County  
(TW); **Ya-Chun Cheng**, Changhua  
County (TW)

(73) Assignee: **YOKE INDUSTRIAL CORP.**,  
Taichung (TW)

(\*\*) Term: **15 Years**

(21) Appl. No.: **29/706,668**

(22) Filed: **Sep. 23, 2019**

(51) **LOC (13) Cl.** ..... **09-06**

(52) **U.S. Cl.**  
USPC ..... **D8/356**

(58) **Field of Classification Search**  
USPC ..... D8/356, 354, 105, 349, 367; D3/207;  
24/376  
CPC ..... B65H 57/16; A63B 29/08; A63B 27/02;  
B63B 21/045  
See application file for complete search history.

(56) **References Cited**

**U.S. PATENT DOCUMENTS**

D626,908 S \* 11/2010 Marcaccio ..... D12/345  
D658,487 S \* 5/2012 Chih ..... D8/360

D790,327 S \* 6/2017 Renforth ..... D8/356  
D818,391 S \* 5/2018 Chang ..... D11/208  
D818,392 S \* 5/2018 Chang ..... D11/218  
D821,090 S \* 6/2018 Case ..... D3/207  
D848,823 S \* 5/2019 Graykowski ..... D8/356  
D854,401 S \* 7/2019 Adelman ..... D8/356  
D856,118 S \* 8/2019 Adelman ..... D8/356  
D882,378 S \* 4/2020 Graykowski ..... D8/356  
2014/0245576 A1 \* 9/2014 Perner ..... F16B 45/02  
24/600.1  
2016/0376129 A1 \* 12/2016 Hendrix ..... F16B 45/02  
294/82.2

\* cited by examiner

*Primary Examiner* — Cynthia R Underwood

(74) *Attorney, Agent, or Firm* — Tracy M Heims; Apex  
Juris, PLLC.

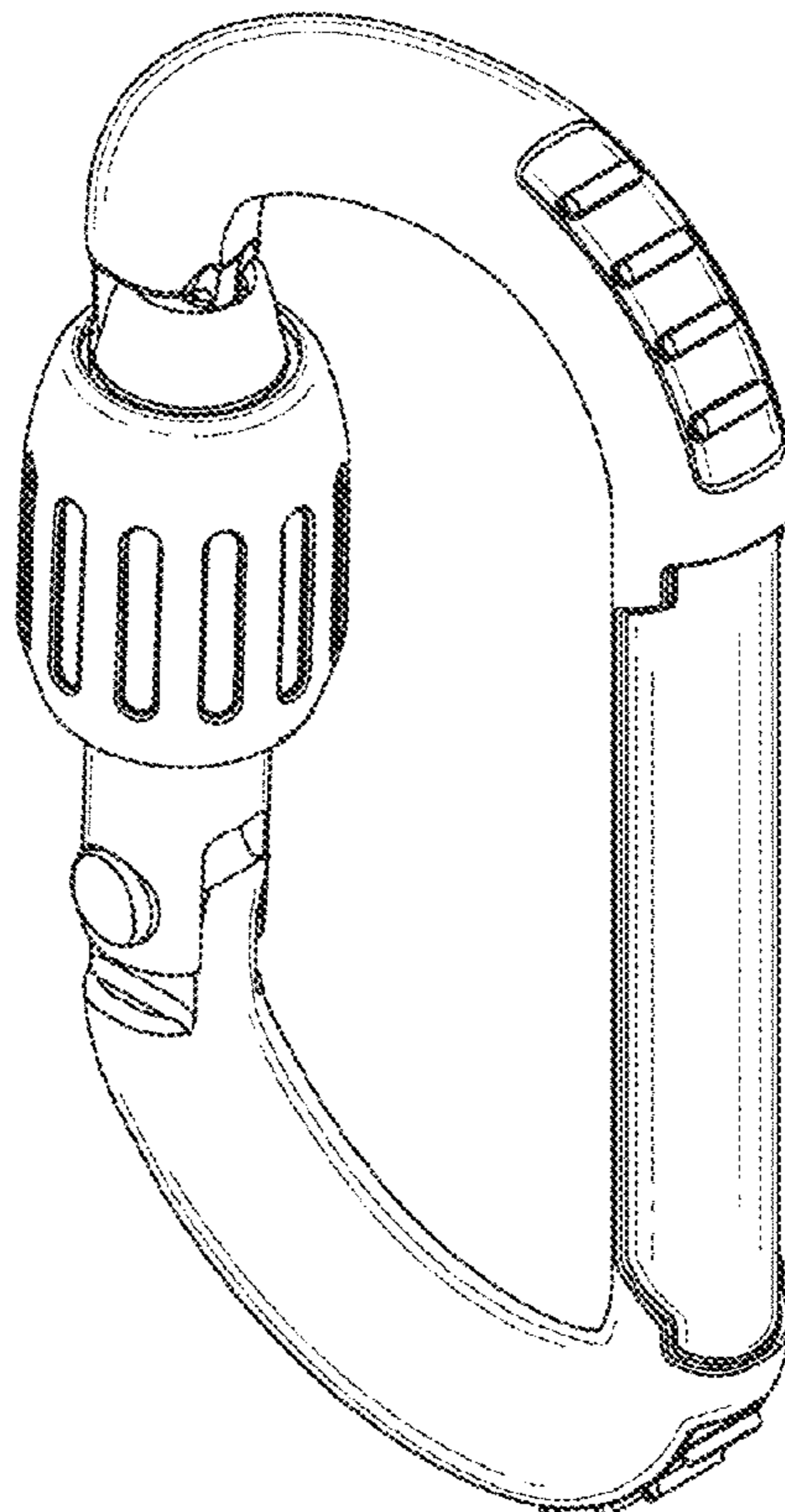
(57) **CLAIM**

The ornamental design for an insulating carabiner hook, as  
shown and described.

**DESCRIPTION**

FIG. 1 is a perspective view of our new design for an  
insulating carabiner hook;  
FIG. 2 is a front view thereof;  
FIG. 3 is a rear view thereof;  
FIG. 4 is a left side view thereof;  
FIG. 5 is a right side view thereof;  
FIG. 6 is a top view thereof; and,  
FIG. 7 is a bottom view thereof.

**1 Claim, 7 Drawing Sheets**



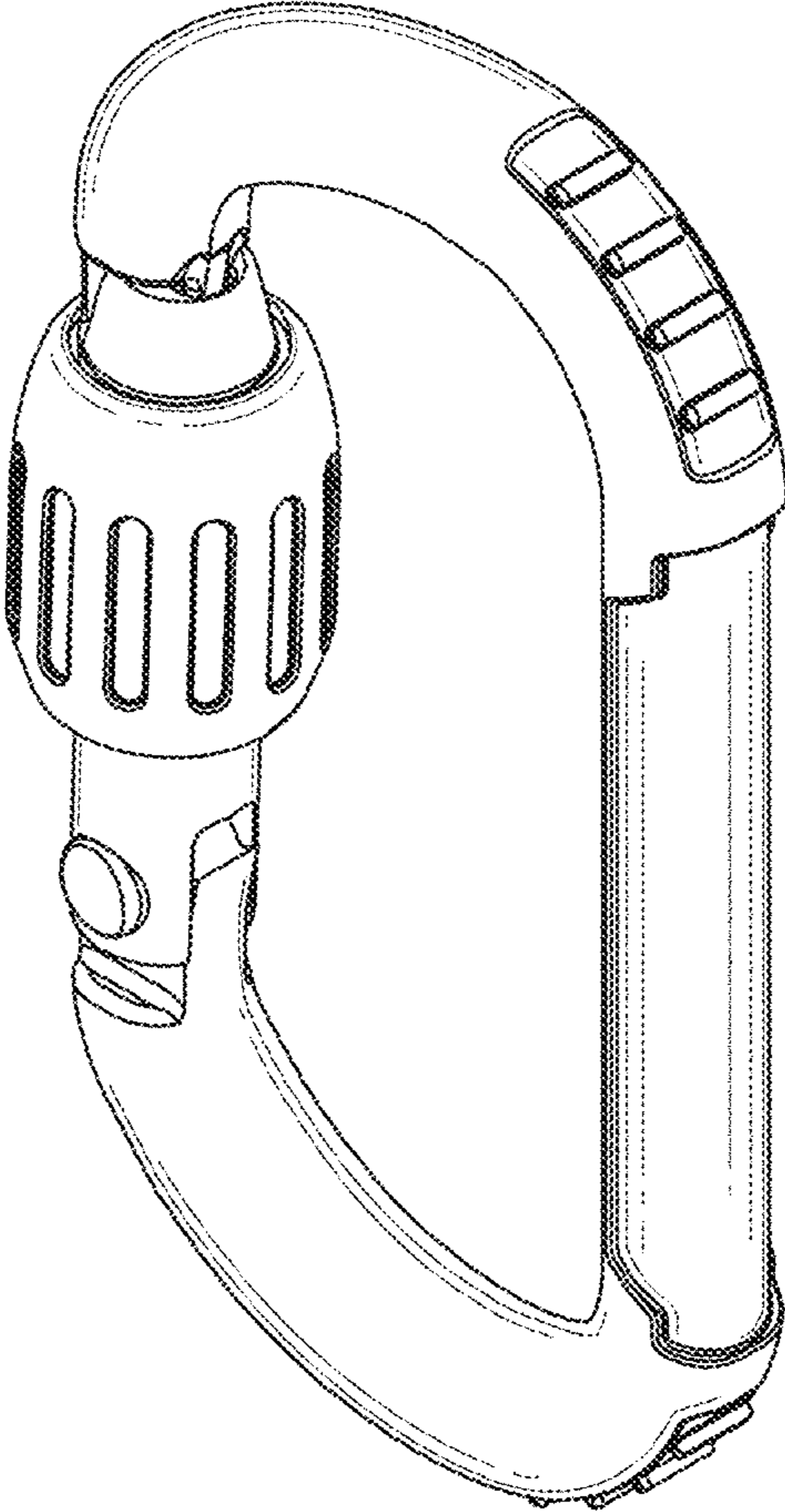


FIG.1

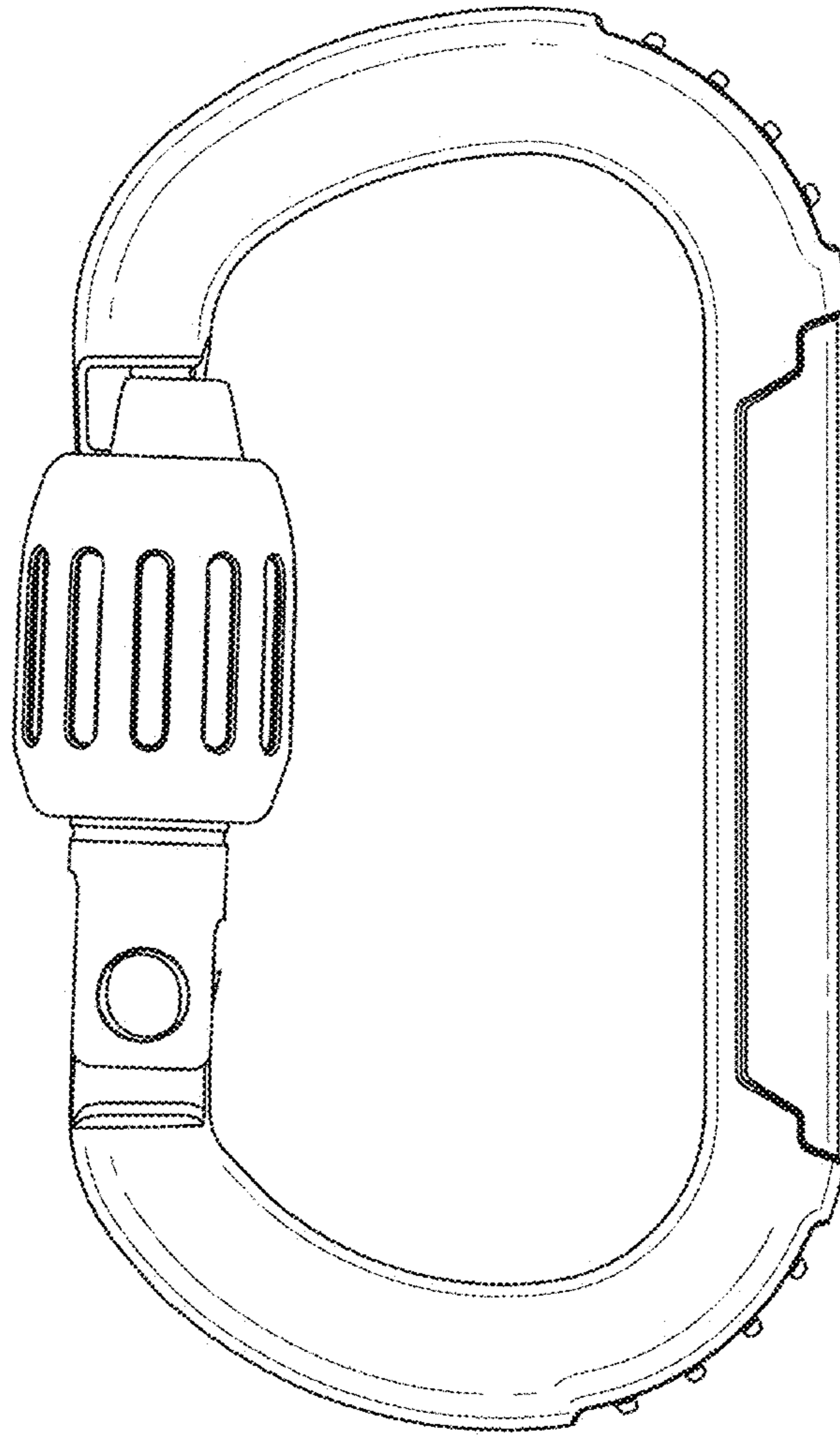


FIG.2

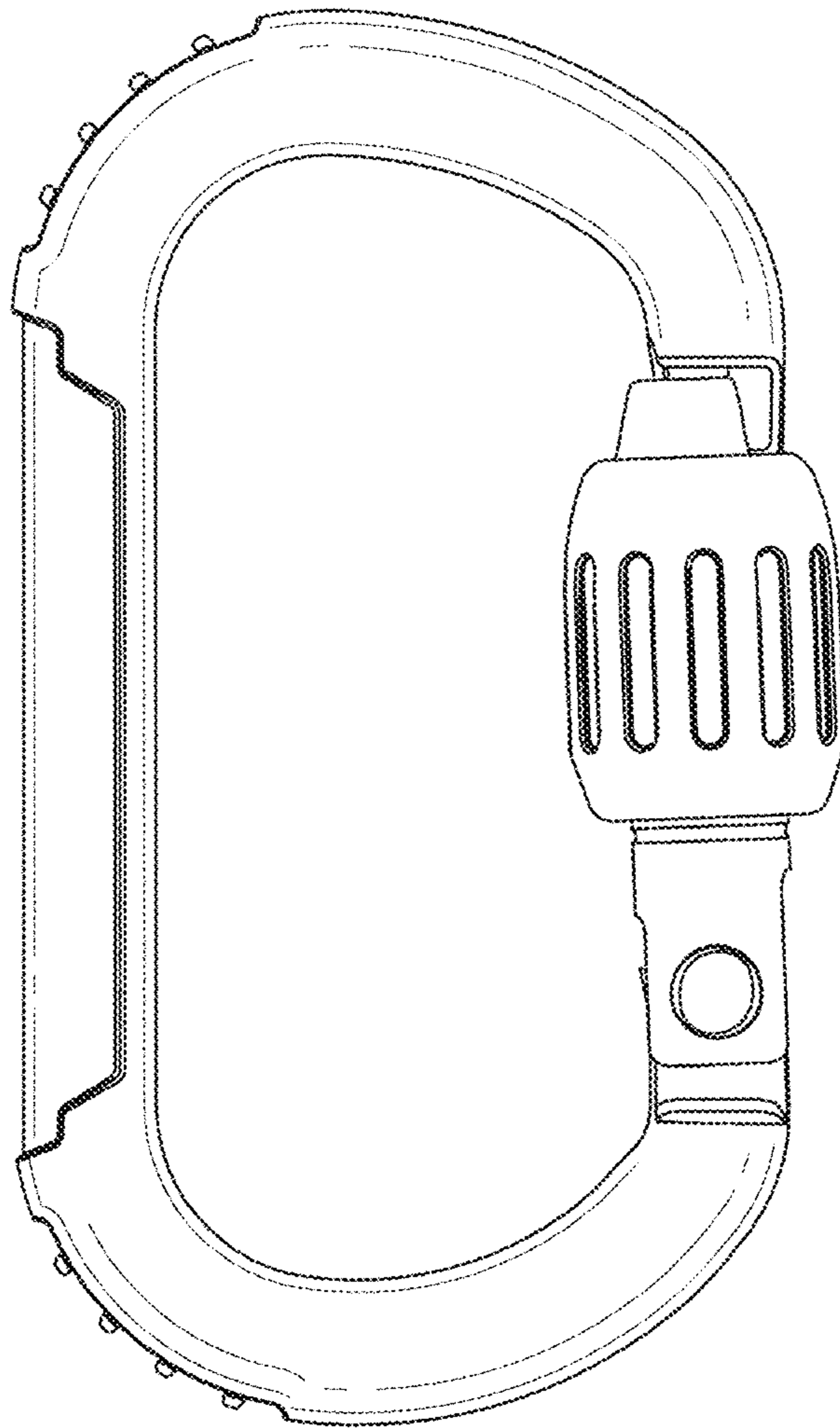


FIG.3

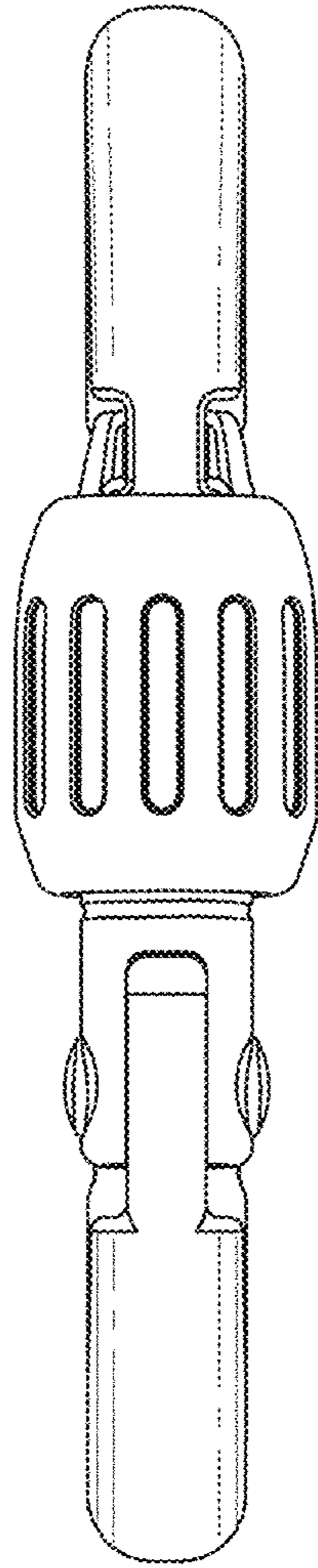


FIG.4



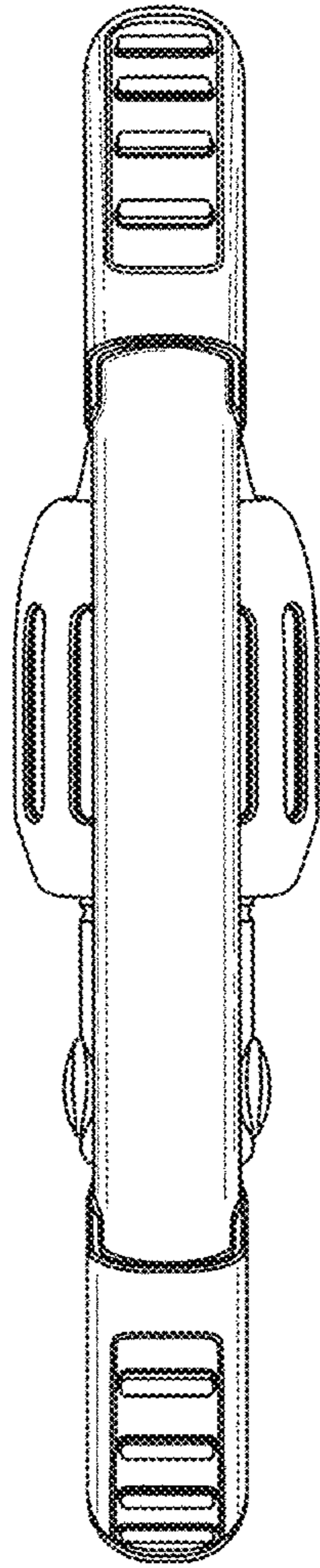


FIG.5

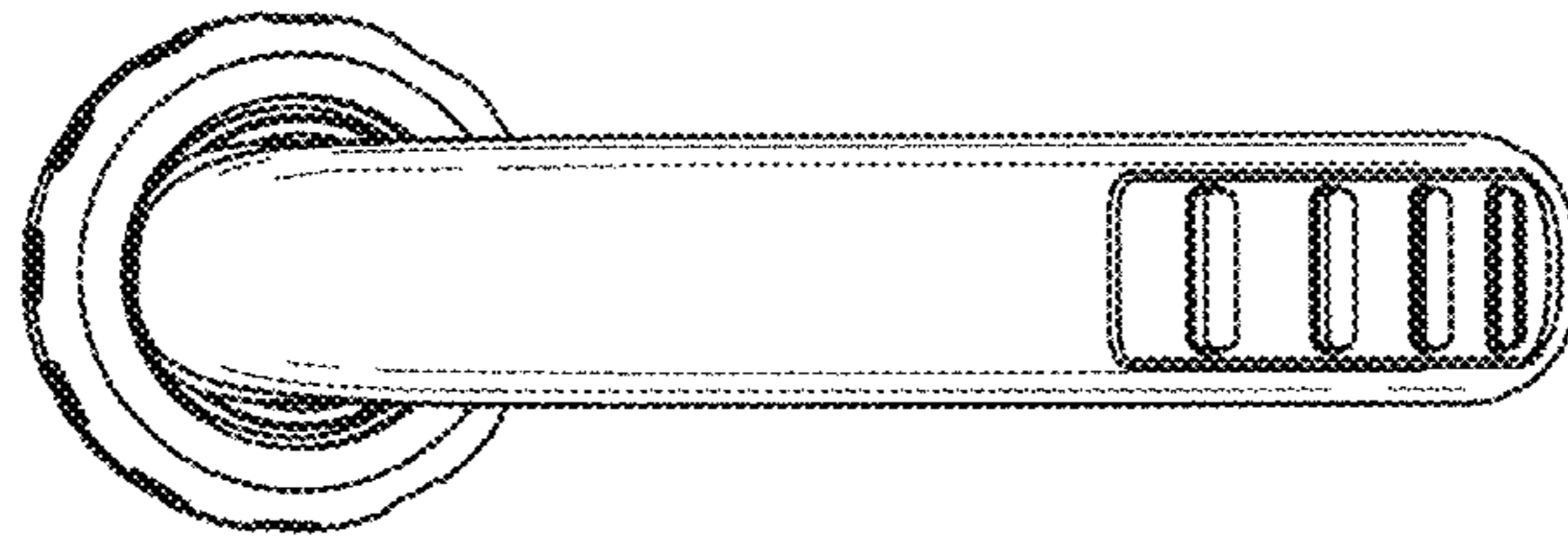


FIG.6

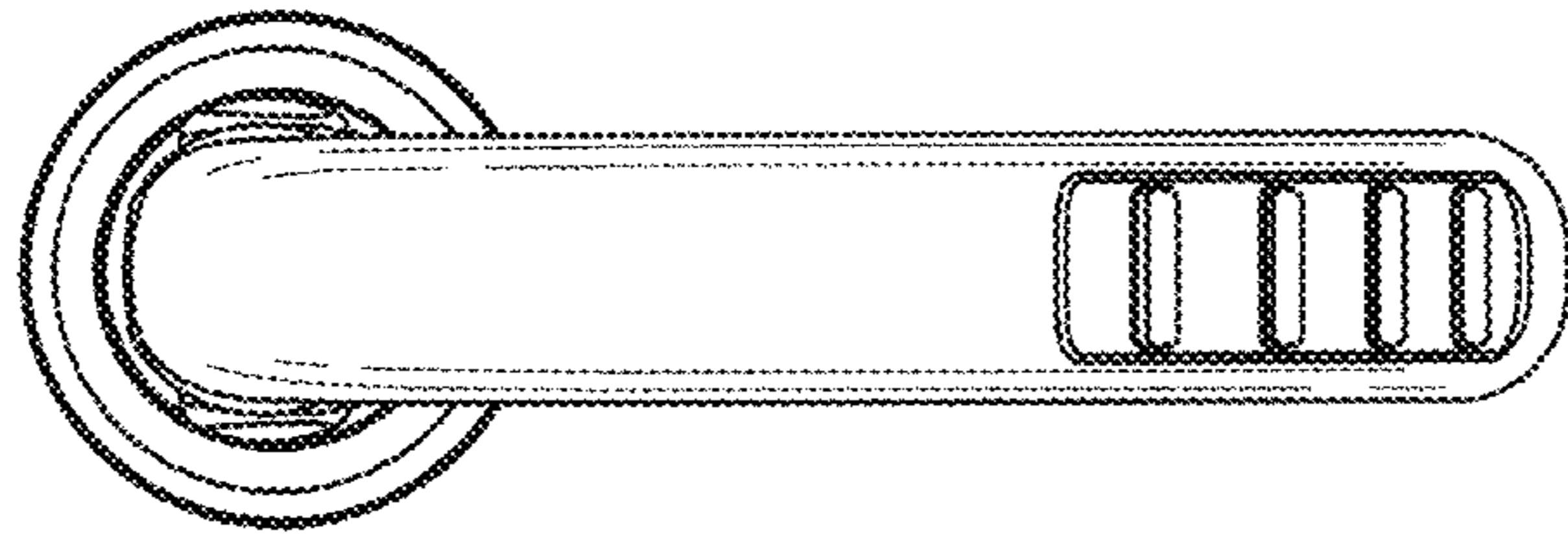


FIG.7