



US00D931713S

(12) **United States Design Patent** (10) **Patent No.:** **US D931,713 S**  
**Faalzada** (45) **Date of Patent:** **\*\* Sep. 28, 2021**

- (54) **WIRE SUPPORT**
- (71) Applicant: **Cummins Emission Solutions Inc.**,  
Columbus, IN (US)
- (72) Inventor: **Baseer Faalzada**, Sun Prairie, WI (US)
- (73) Assignee: **CUMMINS EMISSION SOLUTIONS INC.**, Columbus, IN (US)
- (\*\*) Term: **15 Years**
- (21) Appl. No.: **29/688,257**
- (22) Filed: **Apr. 19, 2019**
- (51) **LOC (13) Cl.** ..... **09-06**
- (52) **U.S. Cl.**  
USPC ..... **D8/356**
- (58) **Field of Classification Search**  
USPC ..... D6/678.4; D8/356, 354, 349, 358, 373,  
D8/379; 248/68.1, 89; 137/355.16;  
242/400.1; 211/60.1; D24/128  
CPC ..... B65G 7/12; A62C 33/04; B65H 75/366  
See application file for complete search history.

D763,665	S *	8/2016	Hallare	.....	D8/356
D784,790	S *	4/2017	Marsh	.....	D8/349
D789,526	S *	6/2017	Serafini	.....	D24/128
D798,131	S *	9/2017	Agneessens	.....	D8/373
D811,857	S *	3/2018	Williams	.....	D8/356
D826,033	S *	8/2018	Feng	.....	D8/356
D830,157	S *	10/2018	Kreinbrink	.....	D8/373
10,215,313	B2 *	2/2019	a ko	.....	F16L 57/02
10,264,896	B2 *	4/2019	Petner	.....	A47F 7/06
D873,115	S *	1/2020	Evans	.....	D8/354
D880,279	S *	4/2020	Marchesan	.....	D8/354
D883,073	S *	5/2020	Jaramillo	.....	D8/354
D885,949	S *	6/2020	Machijima	.....	D10/103
D889,641	S *	7/2020	Wennborg	.....	D24/128
10,774,951	B2 *	9/2020	Ball	.....	F16B 7/185
D903,474	S *	12/2020	Peng	.....	D8/356
D905,541	S *	12/2020	Somsack	.....	D8/356
2002/0121571	A1 *	9/2002	Ferris	.....	H02G 3/0406 242/615

\* cited by examiner

*Primary Examiner* — Cynthia R Underwood

(74) *Attorney, Agent, or Firm* — Foley & Lardner LLP

(57) **CLAIM**

I claim the ornamental design for a wire support, as shown and described.

**DESCRIPTION**

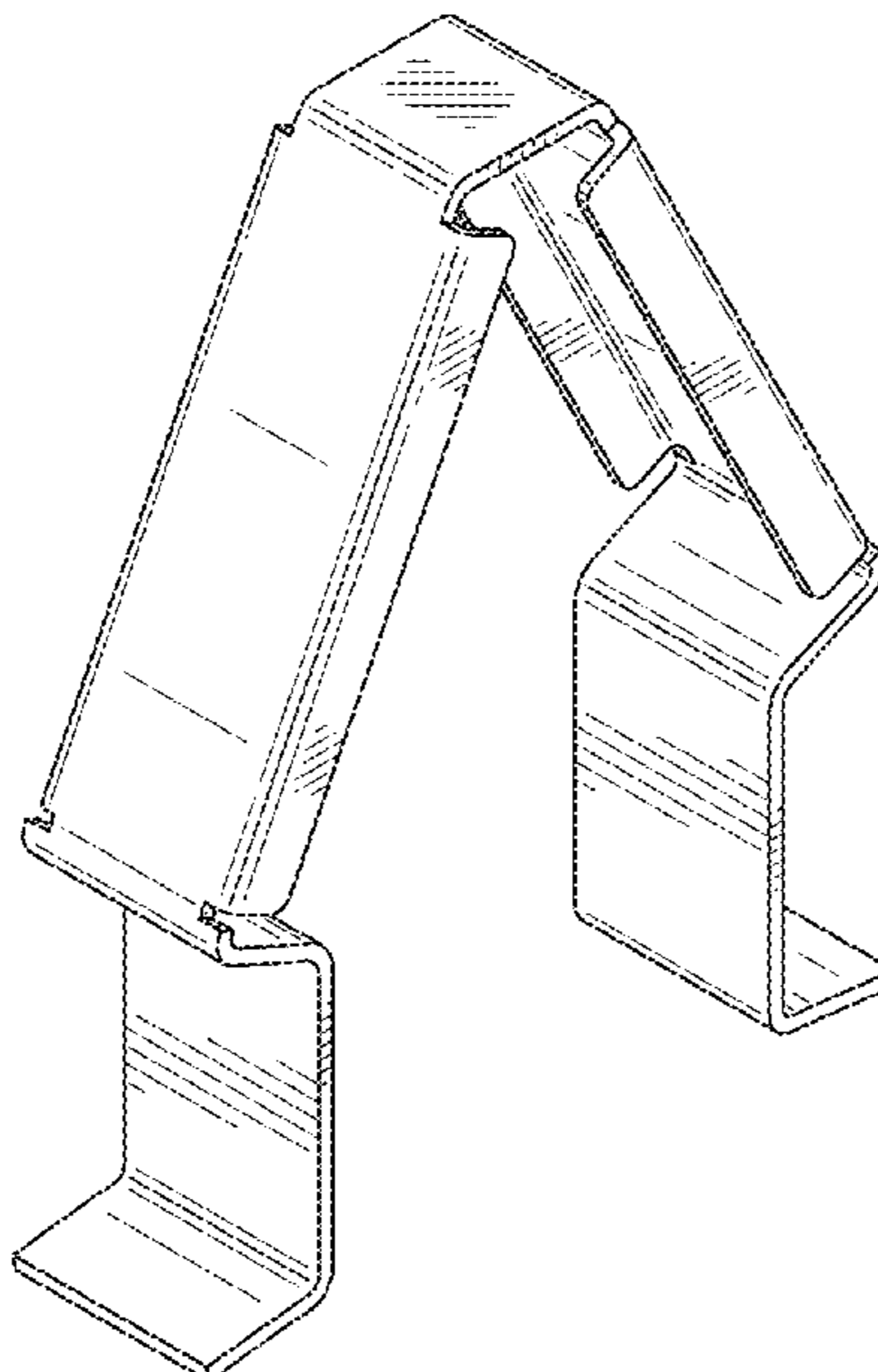
FIG. 1 is a perspective view of the claimed design;  
 FIG. 2 is a front view thereof;  
 FIG. 3 is a left side view thereof;  
 FIG. 4 is a rear view thereof;  
 FIG. 5 is a right side view thereof  
 FIG. 6 is a top view thereof;  
 FIG. 7 is a bottom view thereof; and,  
 FIG. 8 is another front view thereof.  
 The broken lines in the drawings depict unclaimed environmental subject matter, are for illustrative purposes only, and form no part of the claimed design.

**1 Claim, 5 Drawing Sheets**

(56) **References Cited**

U.S. PATENT DOCUMENTS

3,942,528	A *	3/1976	Loeser	.....	A61M 25/02 604/174
6,059,215	A *	5/2000	Finnis	.....	B65H 75/366 242/400.1
6,206,613	B1 *	3/2001	Elkins	.....	F16L 3/26 405/157
D509,147	S *	9/2005	Selby	.....	D9/715
D525,359	S *	7/2006	Stephens	.....	D24/128
7,571,744	B2 *	8/2009	Zia	.....	A61M 5/1418 138/103
7,678,083	B2 *	3/2010	Stephens	.....	A61M 25/00 604/174
D647,784	S *	11/2011	McNamara	.....	D8/349



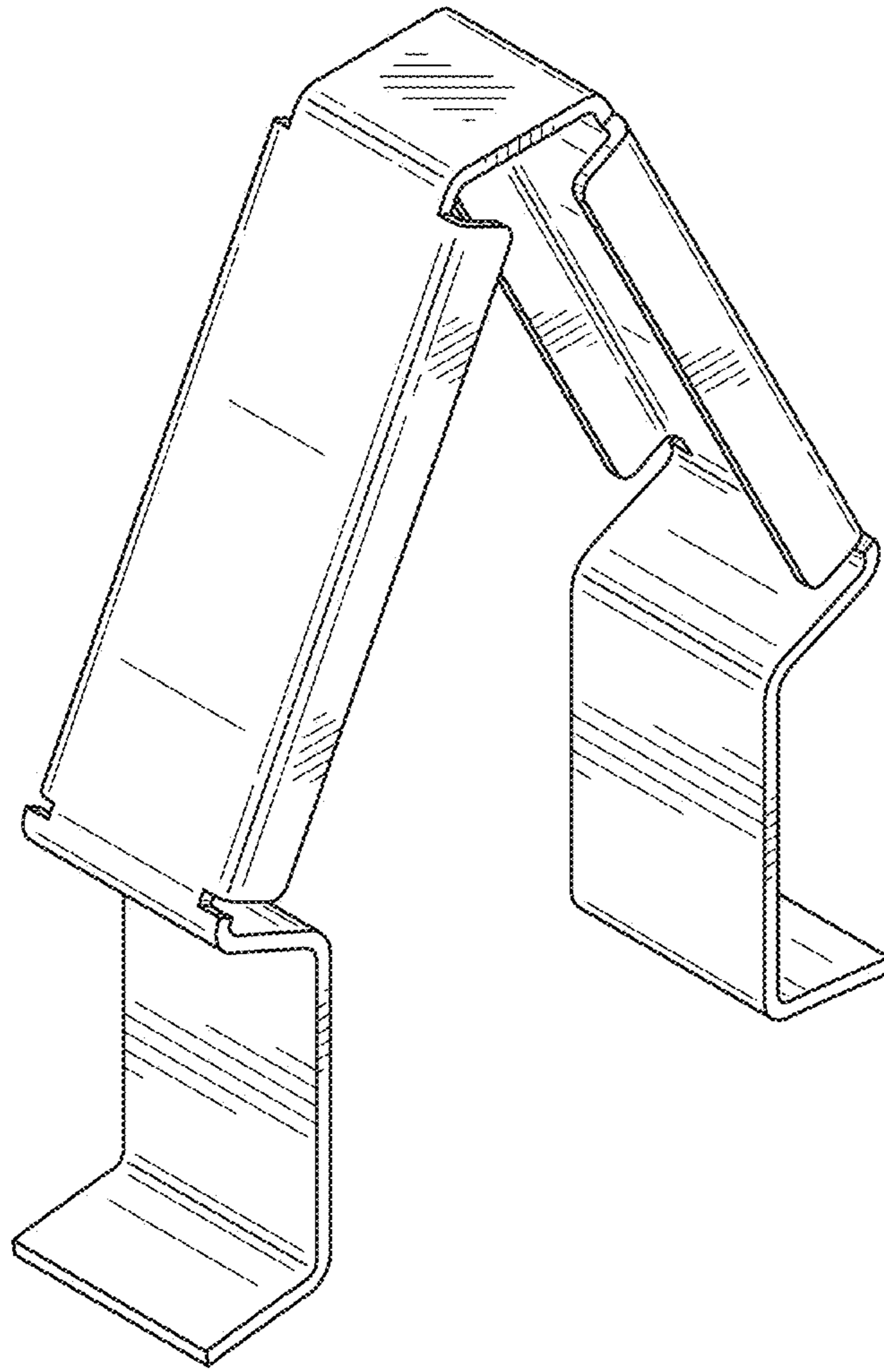


FIG. 1

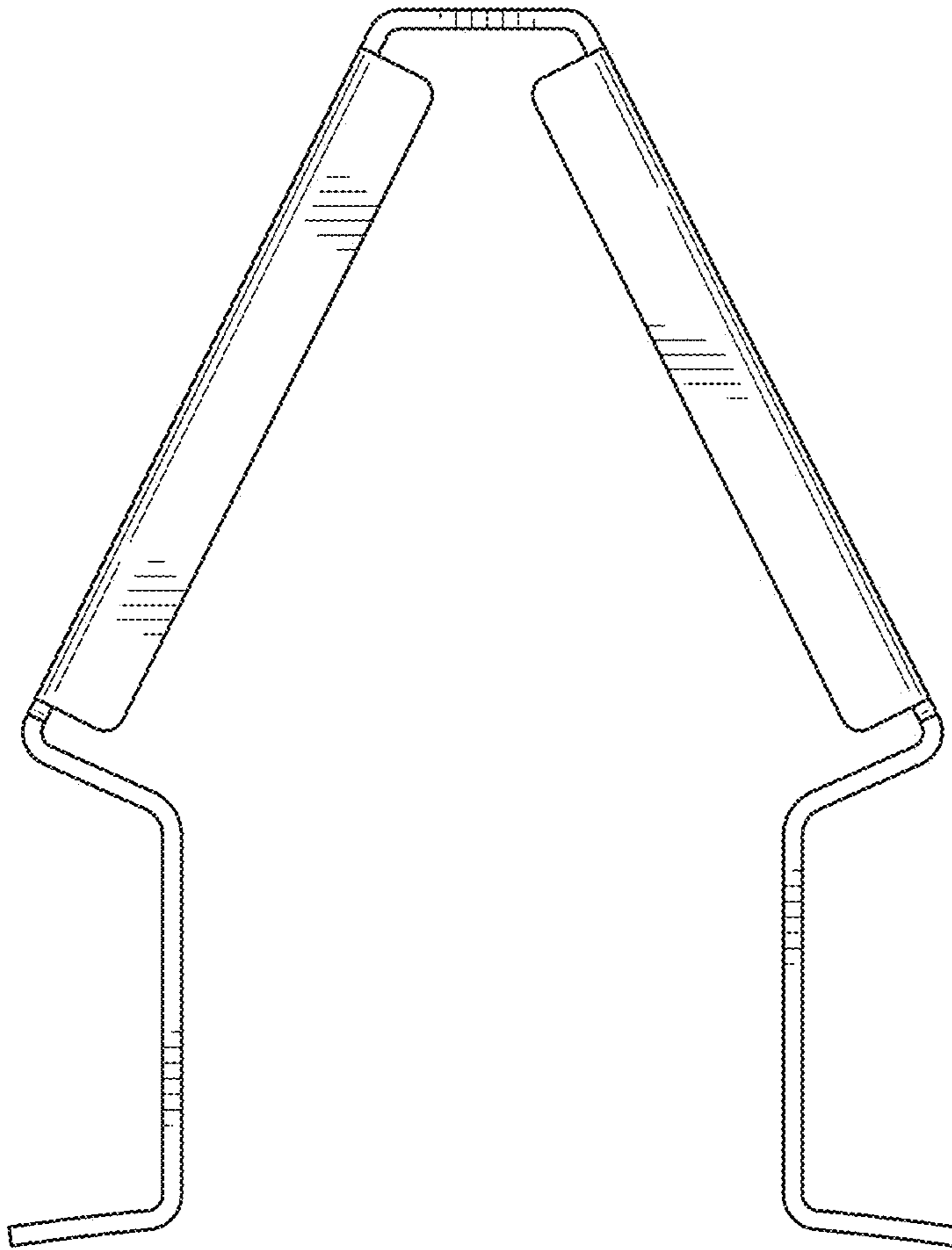


FIG. 2

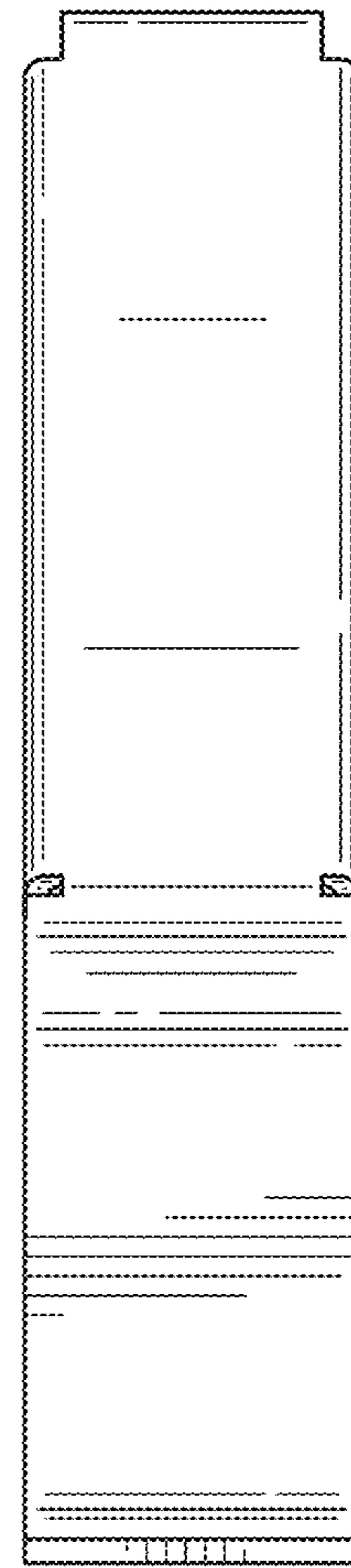


FIG. 3

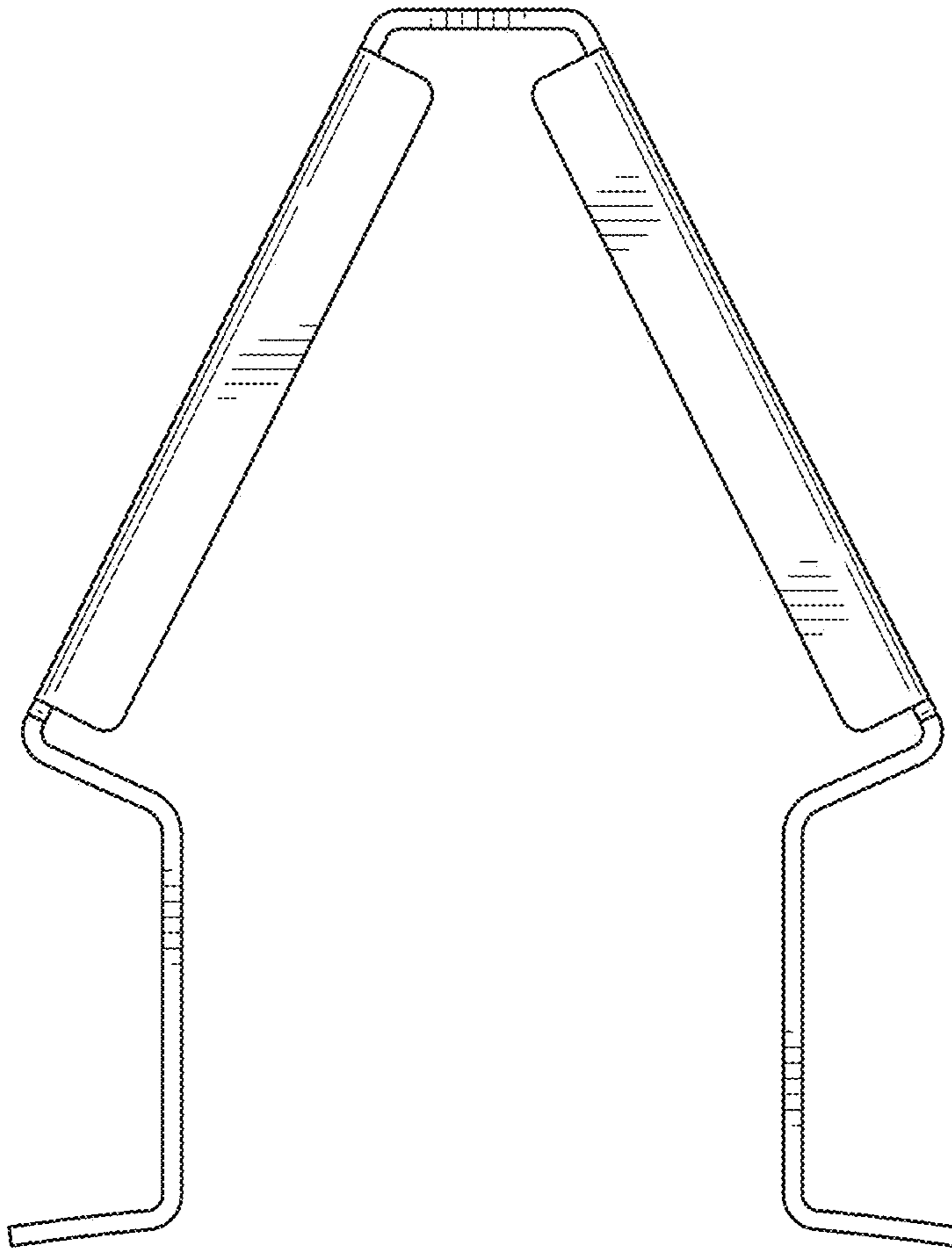


FIG. 4

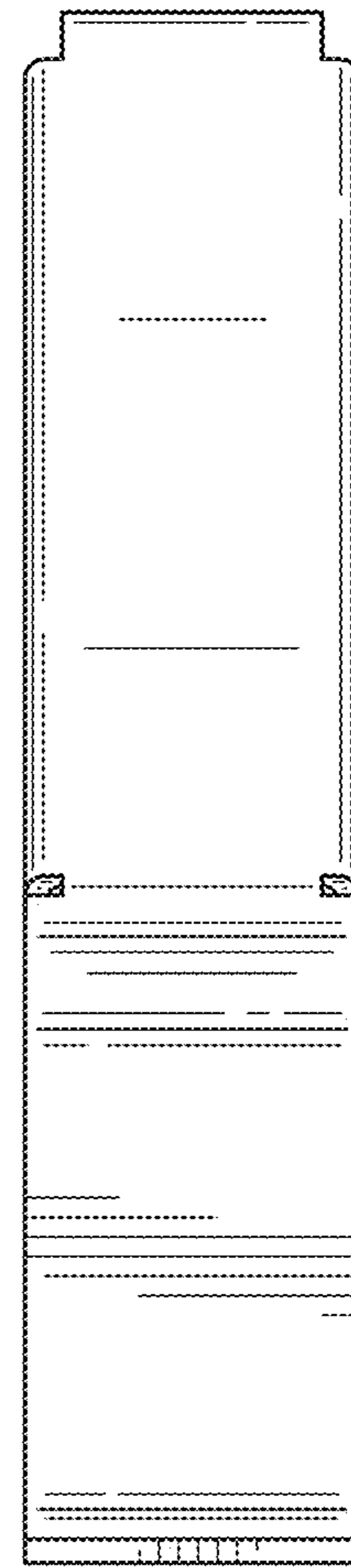


FIG. 5

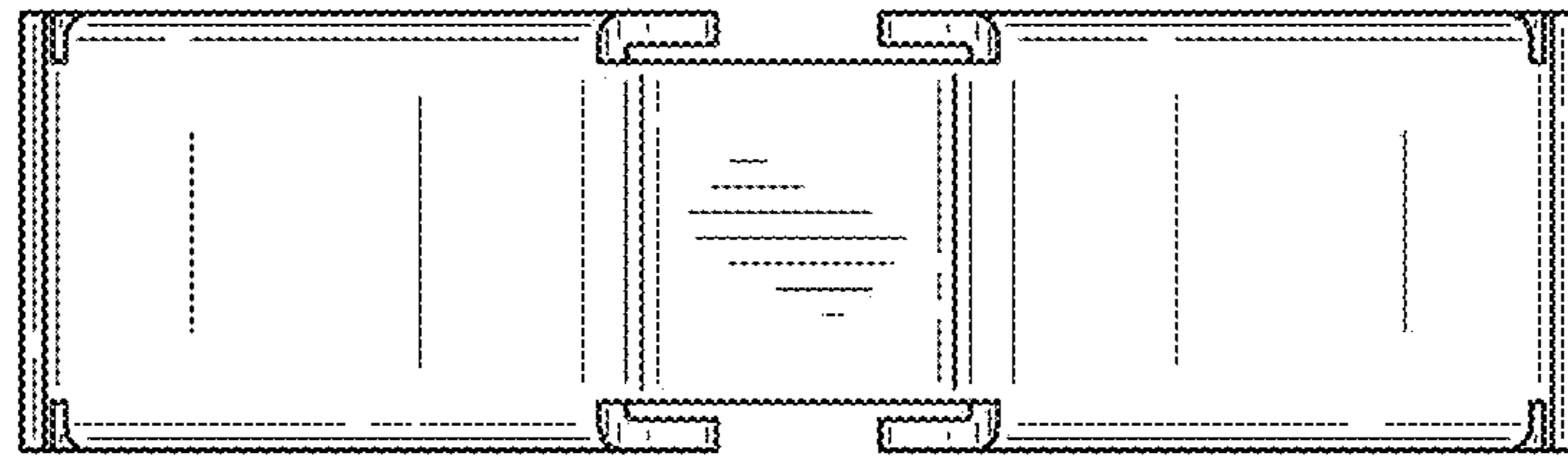


FIG. 6

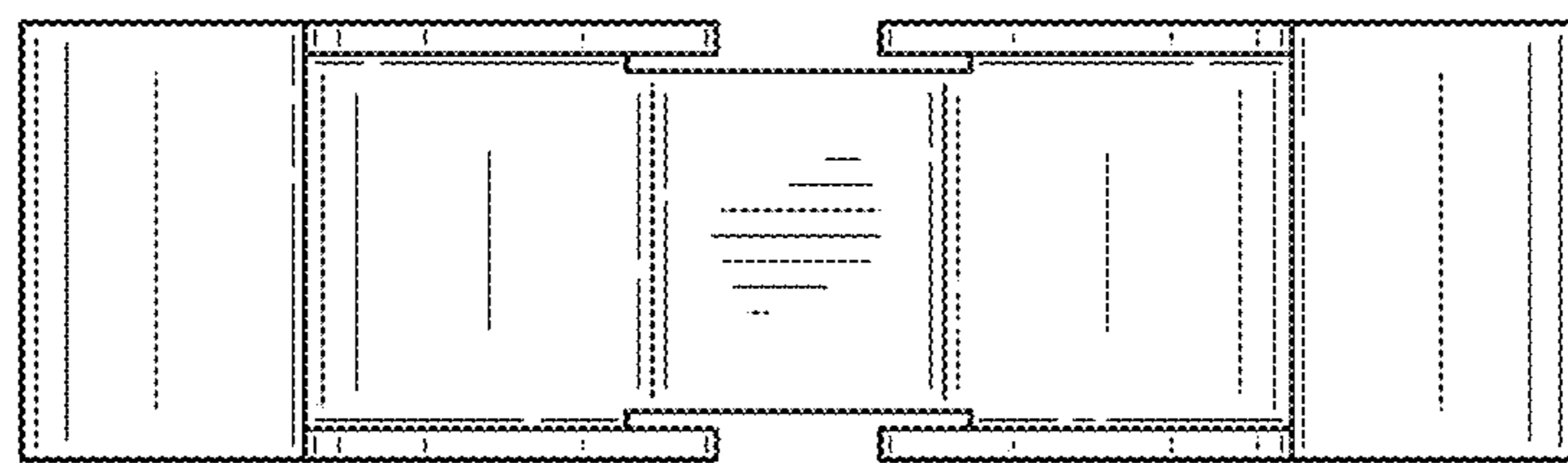


FIG. 7

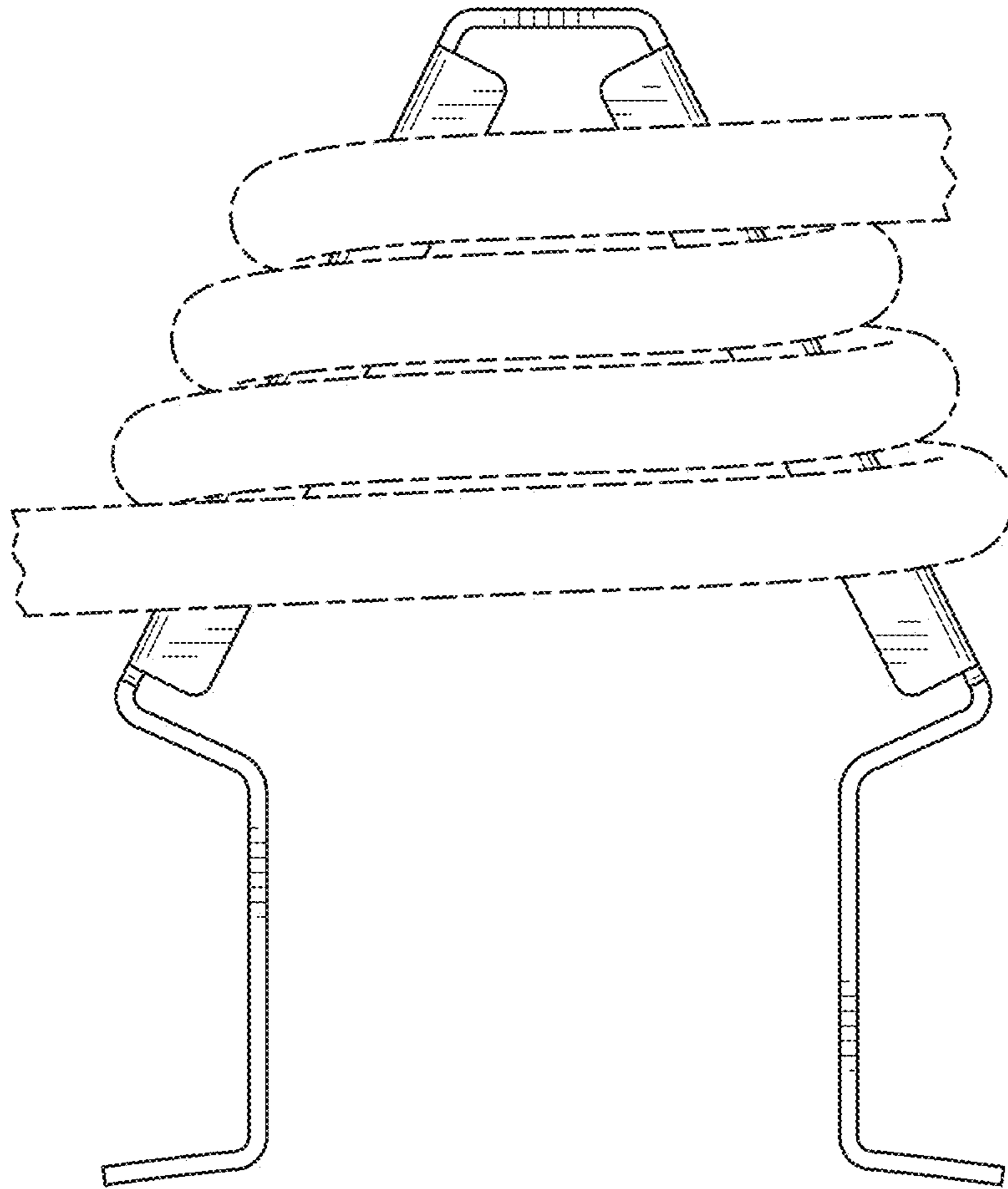


FIG. 8