



US00D931710S

(12) **United States Design Patent** (10) **Patent No.:** **US D931,710 S**
Stener (45) **Date of Patent:** **** Sep. 28, 2021**

(54) **ADAPTER FOR SUPPORTING BASE MOUNT**

(71) Applicant: **Wild West Investments, LLC**, Dallas, TX (US)

(72) Inventor: **Gavin Stener**, Dallas, TX (US)

(73) Assignee: **Wild West Investments, LLC**, Dallas, TX (US)

(**) Term: **15 Years**

(21) Appl. No.: **29/725,174**

(22) Filed: **Feb. 22, 2020**

Related U.S. Application Data

(62) Division of application No. 29/691,527, filed on May 16, 2019, now Pat. No. Des. 876,204.

(51) **LOC (13) Cl.** **08-05**

(52) **U.S. Cl.**
USPC **D8/354**

(58) **Field of Classification Search**
USPC D14/371-382, 125-129, 336, 337, D14/447-452, 492, 335, 376-382, 239, D14/457, 439-441, 432, 251-253, 413; D8/349, 354, 363, 373, 376, 380; D21/333; D12/415; D3/218; 348/180, 348/184, 325, 739, 825; 248/323, 278.1, 248/286.1, 133

CPC G06F 3/0412; G06F 3/016; G06F 3/0488; G06F 3/011; G06F 3/038; G06F 3/03543; G06F 3/0338; G06F 3/0202; G06F 3/0219; G06F 3/0213; G06F 1/1616; G06F 3/023; G06F 3/04883; G02F 1/13338; G02F 1/1313; G02F 1/1333; G02F 1/135; G02F 1/132; G02F 1/133308; G02F 1/134309; G02F 1/13718; G09G 3/3648; B41J 2/465; G06K 15/1252; G03F 7/70291; G02B 27/0172; G02B 5/30; G02B 2027/0118; G02B 27/0101; F16M 13/02; F16M

13/00; F16M 11/10; F16M 11/04; F16M 2200/08; F16M 11/2021; A47B 21/0314; A47B 88/044; A47B 2021/0335; F16B 47/00; F16B 47/006; H02G 3/126; A47G 1/17; A47K 2201/00

See application file for complete search history.

(56) **References Cited**

U.S. PATENT DOCUMENTS

D282,759 S * 2/1986 Weissberg D14/415
D290,719 S 7/1987 Holloway
D390,709 S * 2/1998 Moore D6/323
D409,182 S 5/1999 Tyler
D503,928 S * 4/2005 Obata D13/164

(Continued)

FOREIGN PATENT DOCUMENTS

CN 203567643 U 4/2014
CN 208789606 U 4/2019

(Continued)

Primary Examiner — Katie Jane Stofko

(74) *Attorney, Agent, or Firm* — Foley & Lardner LLP

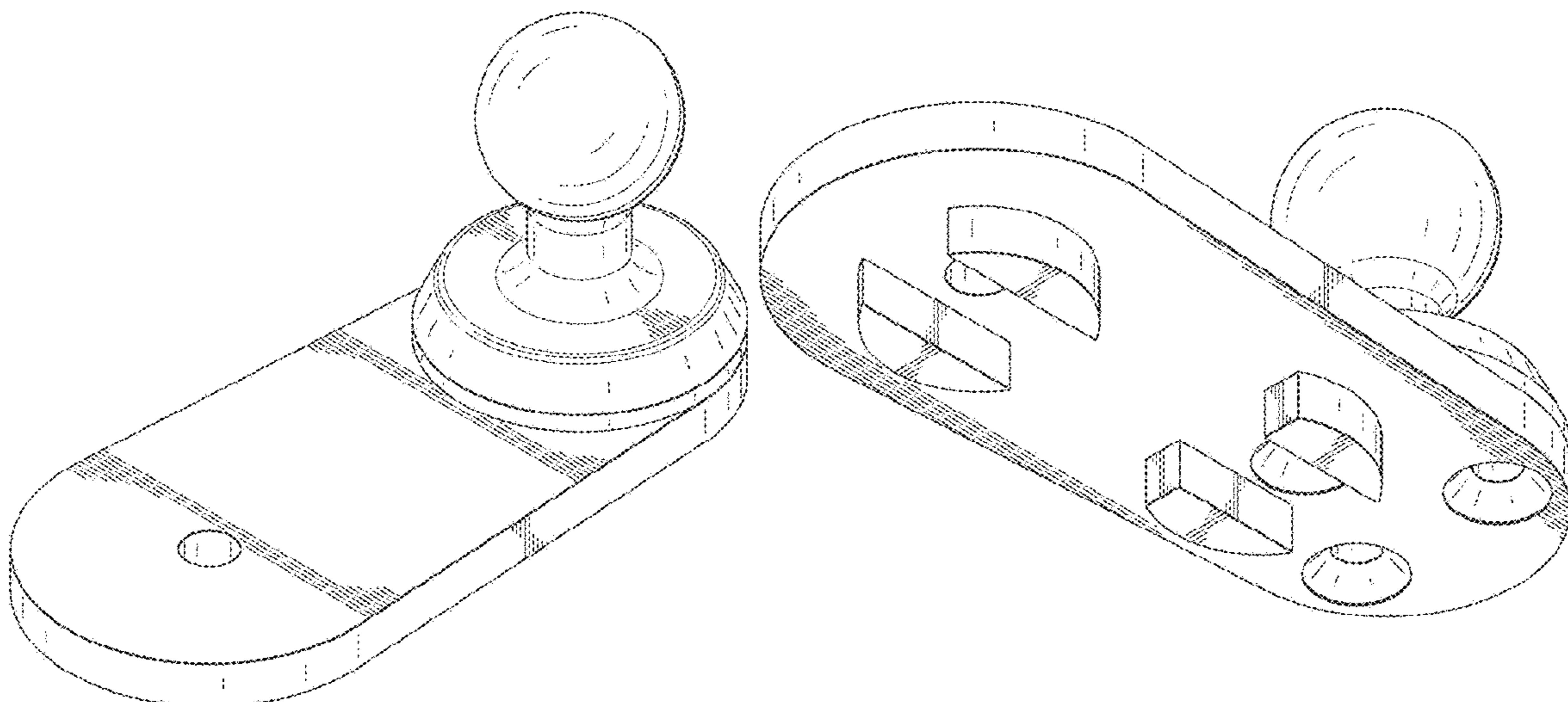
(57) **CLAIM**

An ornamental design for an adapter for supporting base mount, as shown and described.

DESCRIPTION

FIG. 1 is a top, front and right side perspective view of an adapter for supporting base mount;
FIG. 2 is a front elevational view thereof;
FIG. 3 is a rear elevational view thereof;
FIG. 4 is a right-side elevational view thereof;
FIG. 5 is a left-side elevational view thereof;
FIG. 6 is a top plan view thereof;
FIG. 7 is a bottom plan view thereof; and,
FIG. 8 is a bottom, front and right side perspective view thereof.

1 Claim, 7 Drawing Sheets



(56)

References Cited

U.S. PATENT DOCUMENTS

D523,320	S *	6/2006	Bertani	D8/309
D588,902	S *	3/2009	Carnevali	D8/354
8,037,904	B2 *	10/2011	Carnevali	F16L 55/132 138/89
D698,357	S *	1/2014	Mainville	D14/412
D723,559	S	3/2015	Hein et al.		
D733,116	S	6/2015	Aspinall et al.		
D790,545	S *	6/2017	Dannenberg	D14/413
9,671,060	B1	6/2017	Cifers		
D792,418	S	7/2017	Stener		
D799,466	S	10/2017	Sukphist et al.		
9,863,576	B1	1/2018	Cifers		
9,870,018	B2 *	1/2018	Bertani	G05G 1/082
D835,091	S	12/2018	Torrance		
D838,579	S	1/2019	Stener		
10,237,383	B2	3/2019	Park		
D845,111	S	4/2019	Stener		
D847,609	S	5/2019	Ng et al.		
D847,621	S	5/2019	Kolar		
D848,819	S	5/2019	French		
D884,661	S *	5/2020	Kim	D13/168
D891,905	S *	8/2020	Carnevali	D8/354
D899,222	S *	10/2020	Carnevali	D8/354
2006/0175595	A1	8/2006	Carnevali		
2012/0045276	A1	2/2012	Carnevali		
2018/0347749	A1	12/2018	Carnevali		
2018/0363842	A1 *	12/2018	Carnevali	F16M 11/14

FOREIGN PATENT DOCUMENTS

EP	2 119 599	B1	11/2009
KR	19980013880	U	6/1998

* cited by examiner

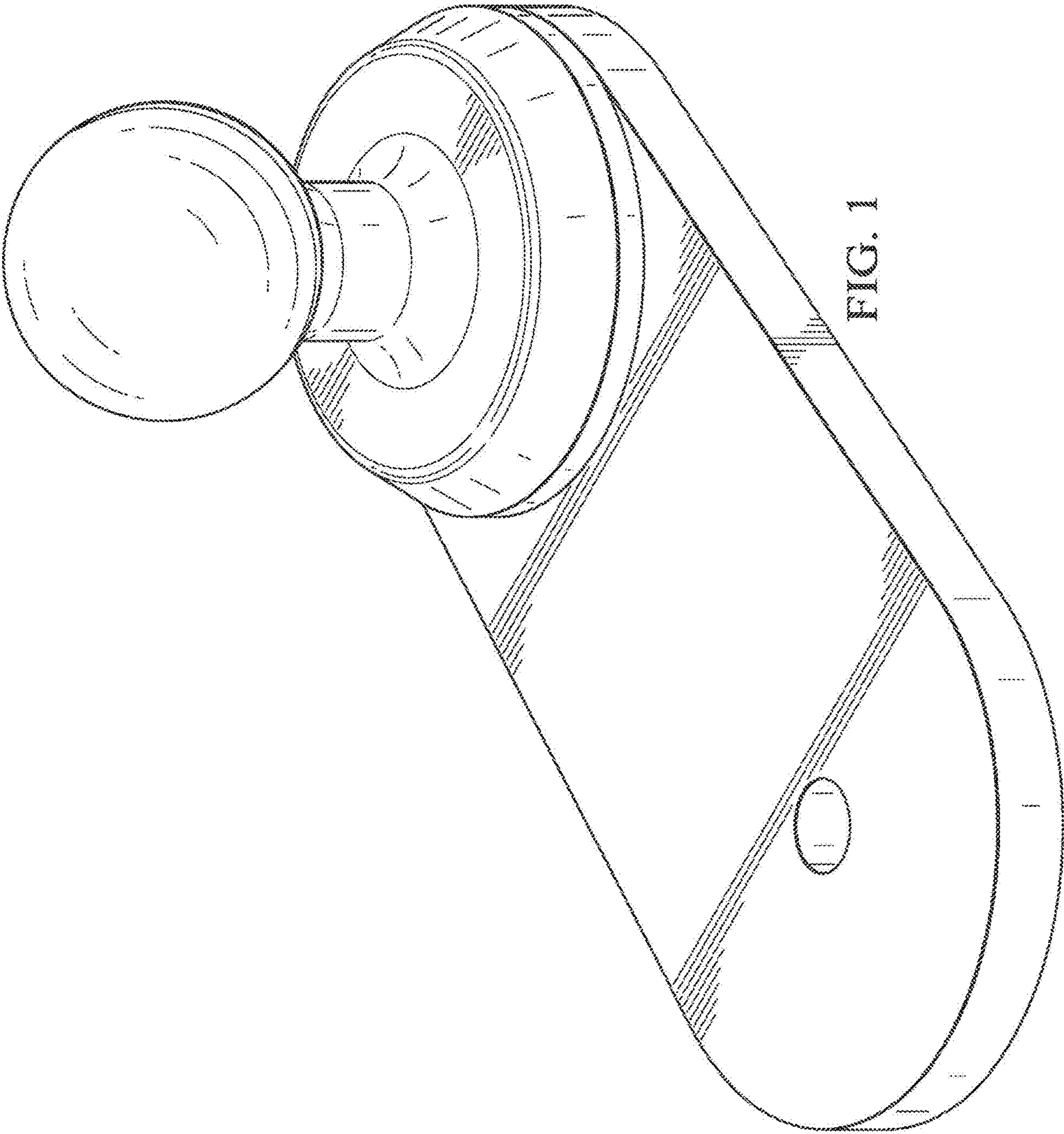


FIG. 1

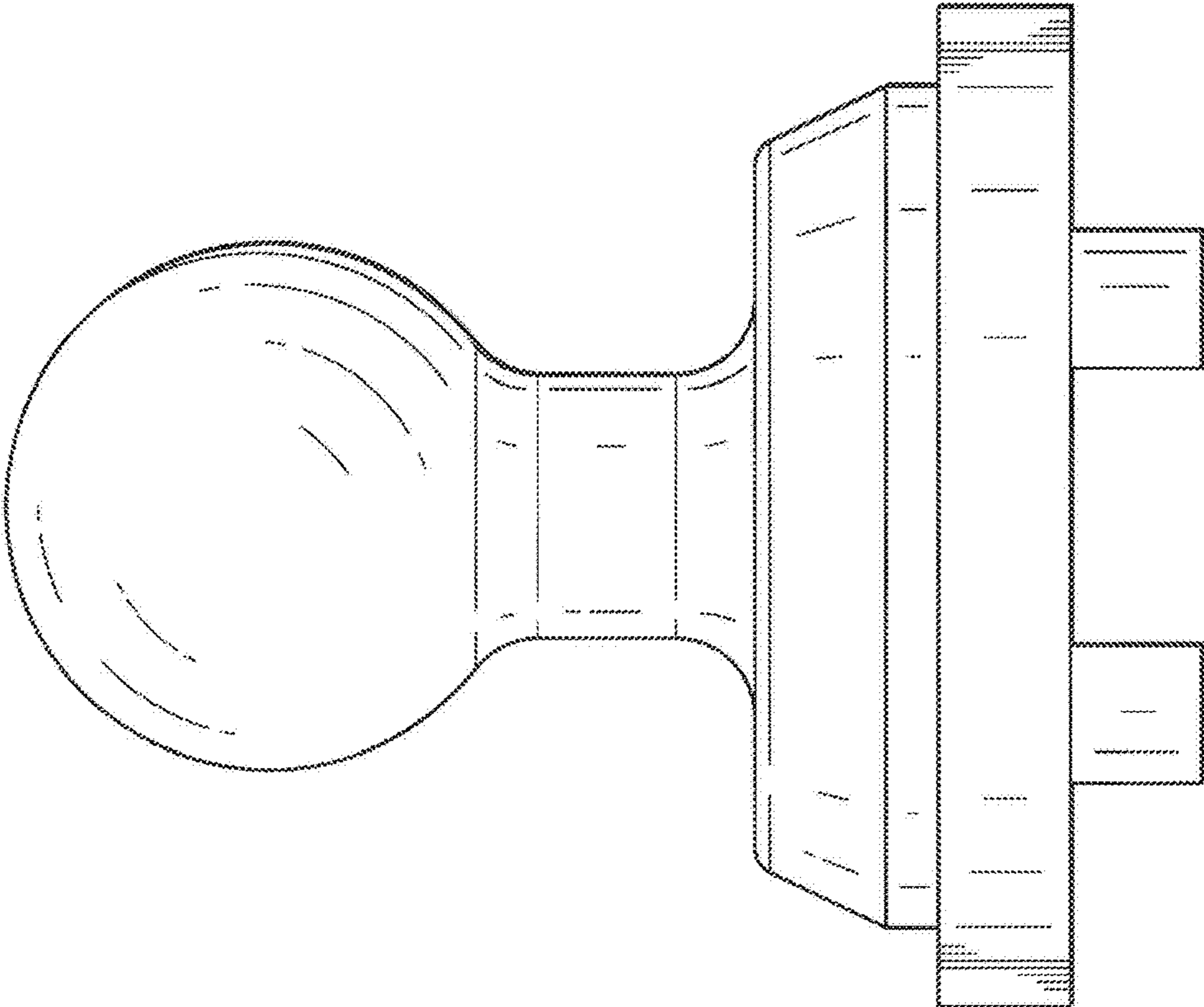


FIG. 3

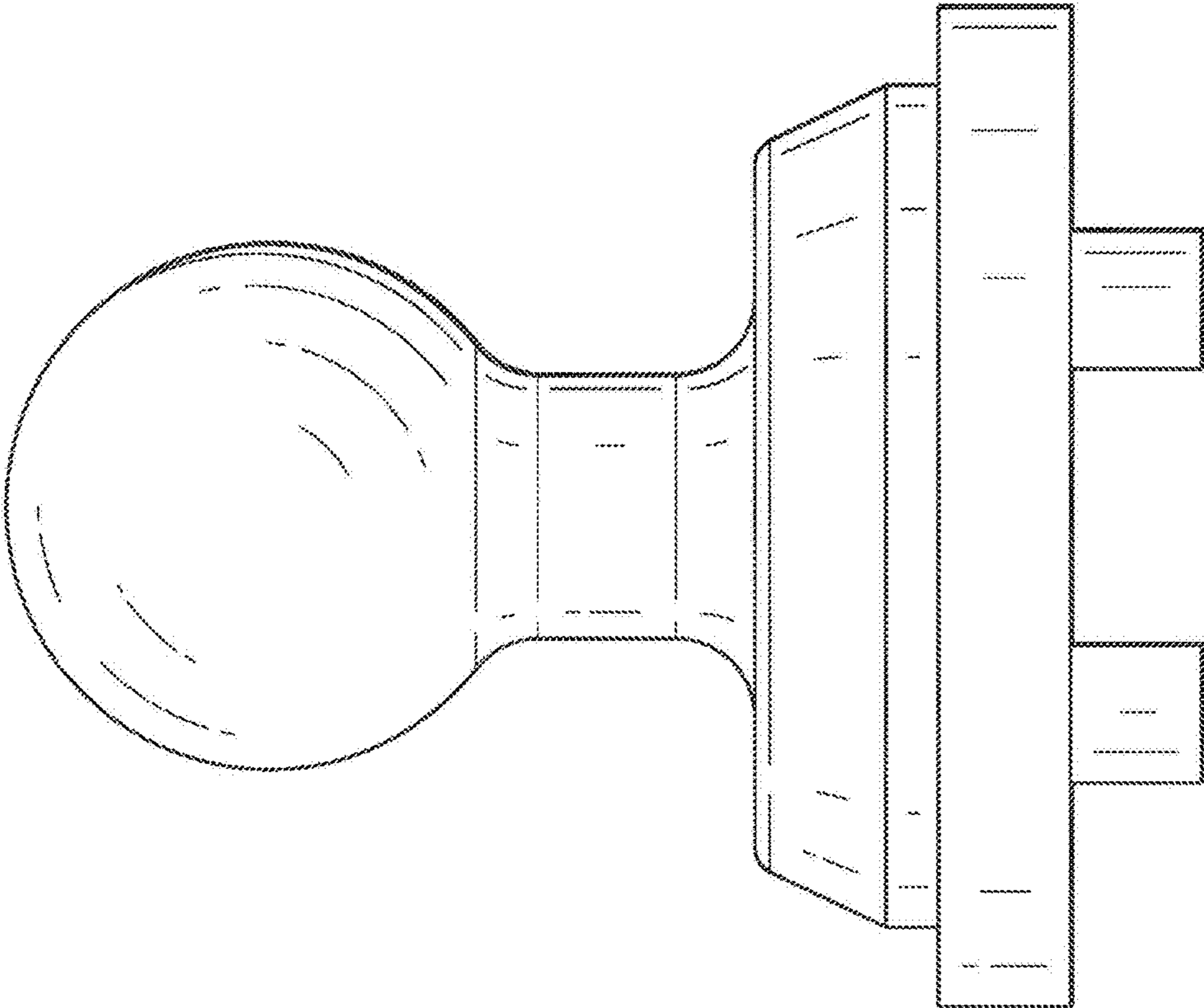


FIG. 2

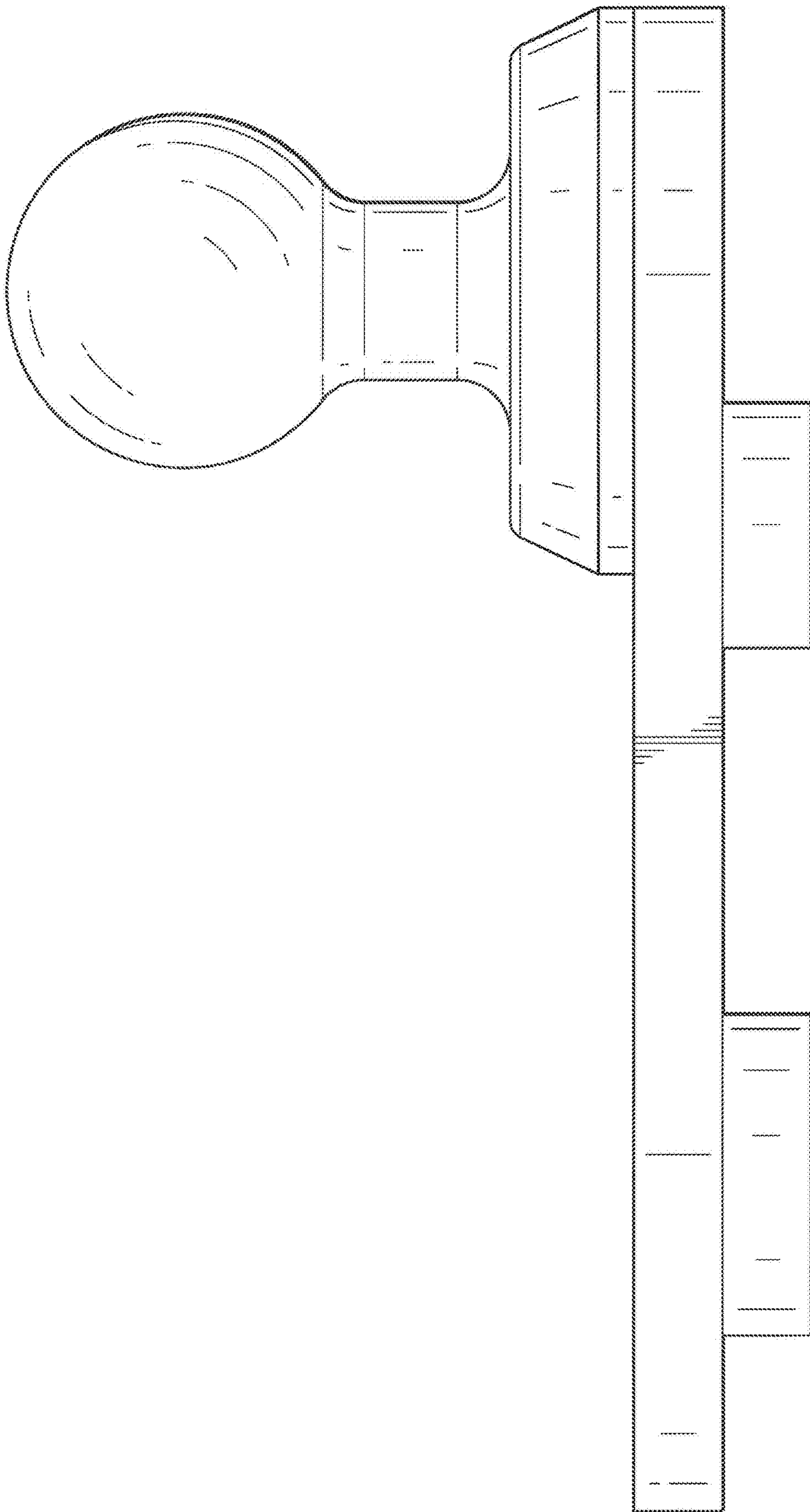


FIG. 4

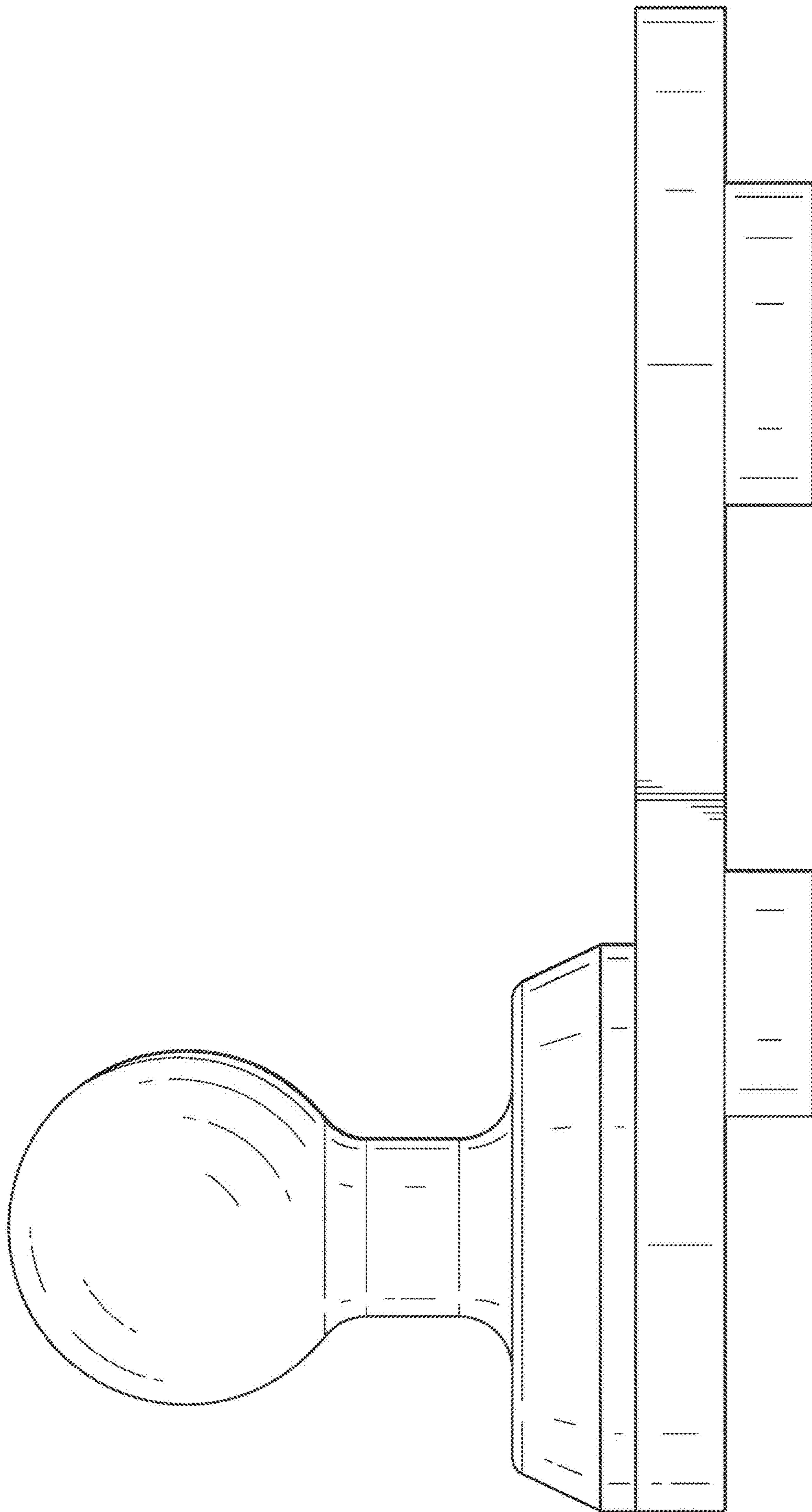


FIG. 5

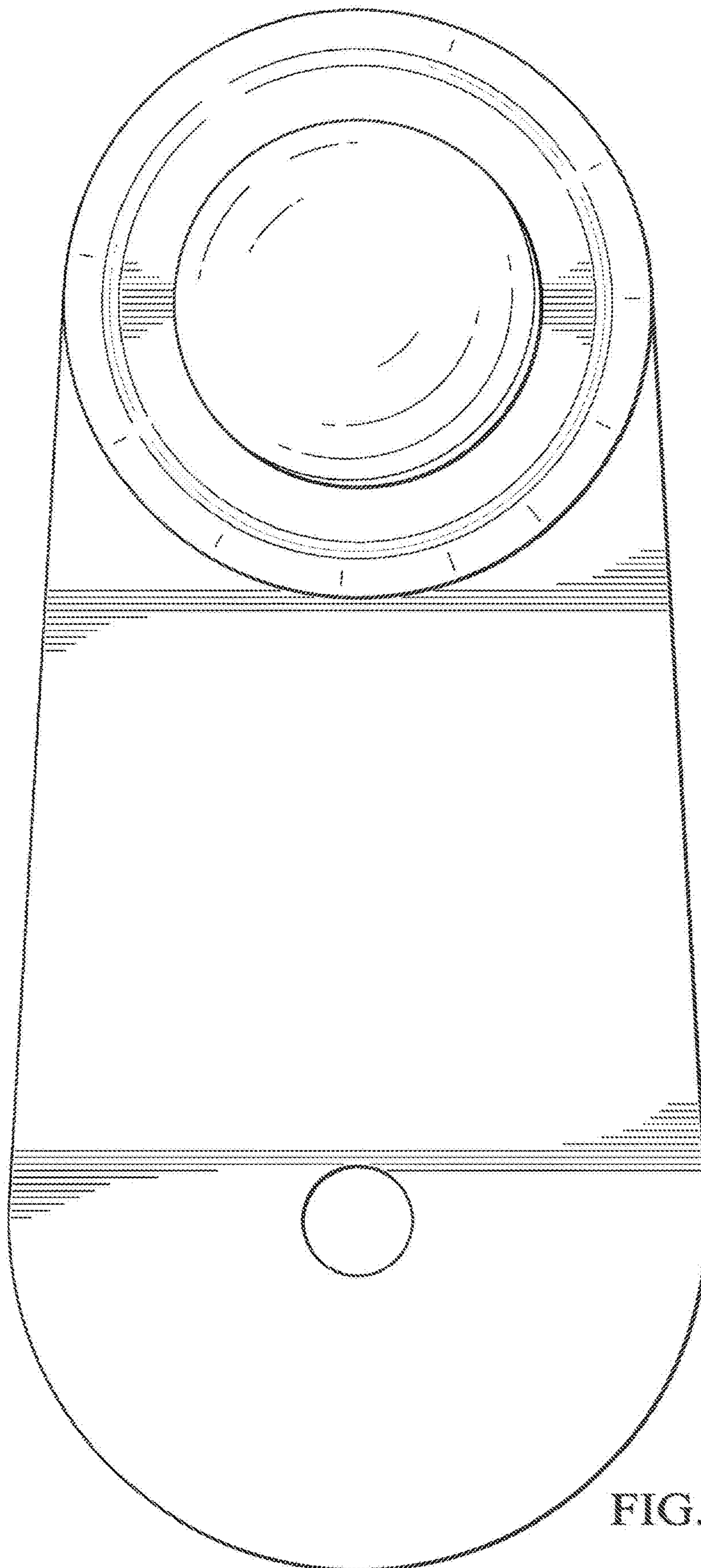


FIG. 6

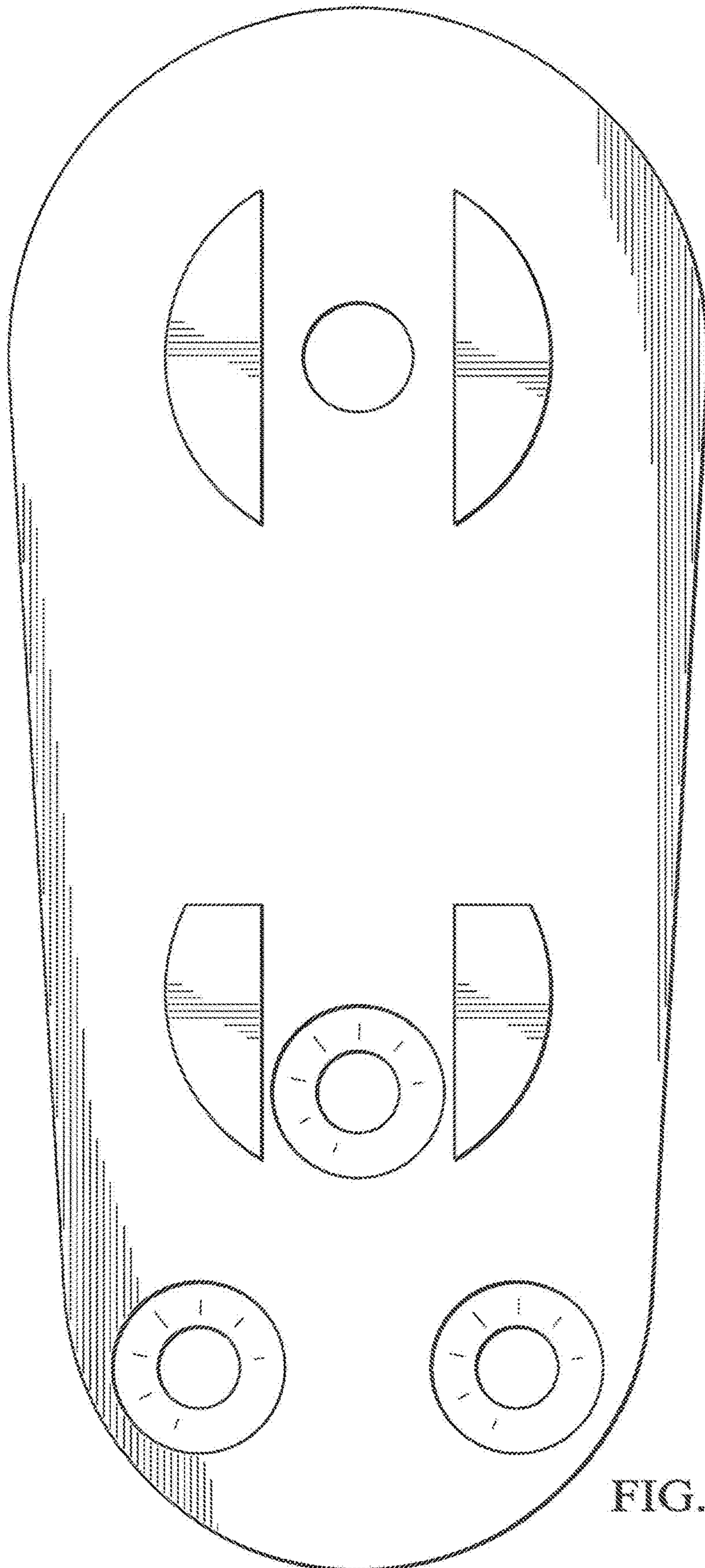


FIG. 7

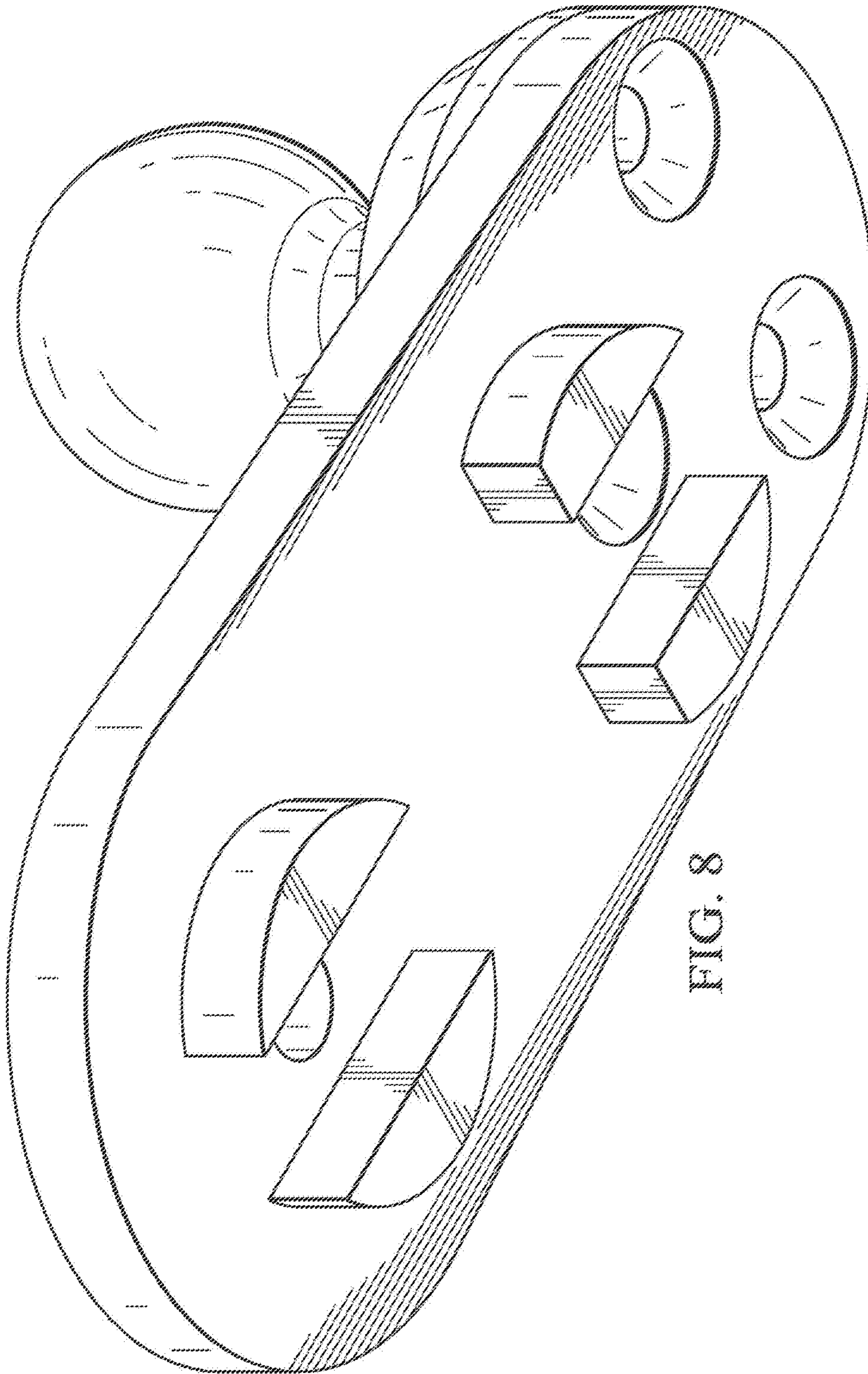


FIG. 8