



US00D931708S

(12) **United States Design Patent**
Jorgensen

(10) **Patent No.:** **US D931,708 S**

(45) **Date of Patent:** **** Sep. 28, 2021**

(54) **PICTURE FRAMING HARDWARE COMPONENT**

(71) Applicant: **Keith Jon Jorgensen**, Stoughton, MA (US)

(72) Inventor: **Keith Jon Jorgensen**, Stoughton, MA (US)

(**) Term: **15 Years**

(21) Appl. No.: **29/705,731**

(22) Filed: **Sep. 14, 2019**

(51) **LOC (13) Cl.** **08-08**

(52) **U.S. Cl.**
USPC **D8/349**

(58) **Field of Classification Search**
USPC D8/349, 354, 382, 350-353, 355, 363, D8/373-377; D11/200, 212, 218, 219, D11/231, 234, 87; D14/217, 239
CPC ... F16C 11/0695; F16C 11/0604; F16C 11/06; F16C 11/0685; F16M 2200/024; F16B 5/0657; F16B 5/0664; F16B 21/09; F16B 45/00; H04B 1/3877; G06F 1/1632; H04M 1/06
See application file for complete search history.

(56) **References Cited**

U.S. PATENT DOCUMENTS

D283,006 S *	3/1986	Carter, Jr.	D8/349
D656,393 S *	3/2012	Honda	D8/382
D688,547 S *	8/2013	Waugh	D8/349
D743,881 S *	11/2015	Au	D13/102

D765,446 S *	9/2016	Fell	D6/675
D811,909 S *	3/2018	Simonton	D10/74
9,975,466 B2 *	5/2018	Hendren	B60P 7/0807
D822,459 S *	7/2018	Kobayashi	D8/356
D856,116 S *	8/2019	White	D8/349
D868,741 S *	12/2019	Barber	D14/217
D887,338 S *	6/2020	Bennett	D12/223
D888,027 S *	6/2020	Pei	D14/239
D891,905 S *	8/2020	Carnevali	D8/354
D891,906 S *	8/2020	Carnevali	D8/354
2005/0036848 A1 *	2/2005	Cunningham	F16B 37/045
			410/104
2012/0192925 A1 *	8/2012	Grushkowitz	F16L 3/24
			136/251

* cited by examiner

Primary Examiner — Mark A Goodwin

Assistant Examiner — Benjamin M Weeks

(57) **CLAIM**

I claim the ornamental design for a picture framing hardware component, as shown and described.

DESCRIPTION

FIG. 1 is a top plan view of a picture framing hardware component showing my new design.
FIG. 2 is a front side elevational view thereof.
FIG. 3 is a left side elevational view thereof. The right side elevational view is a mirror image of the left side.
FIG. 4 is a top front right perspective view thereof; and,
FIG. 5 is a top plan view of a picture framing hardware component in a state of use. The broken lines represent environmental structure only and form no part of the claimed design.

1 Claim, 5 Drawing Sheets

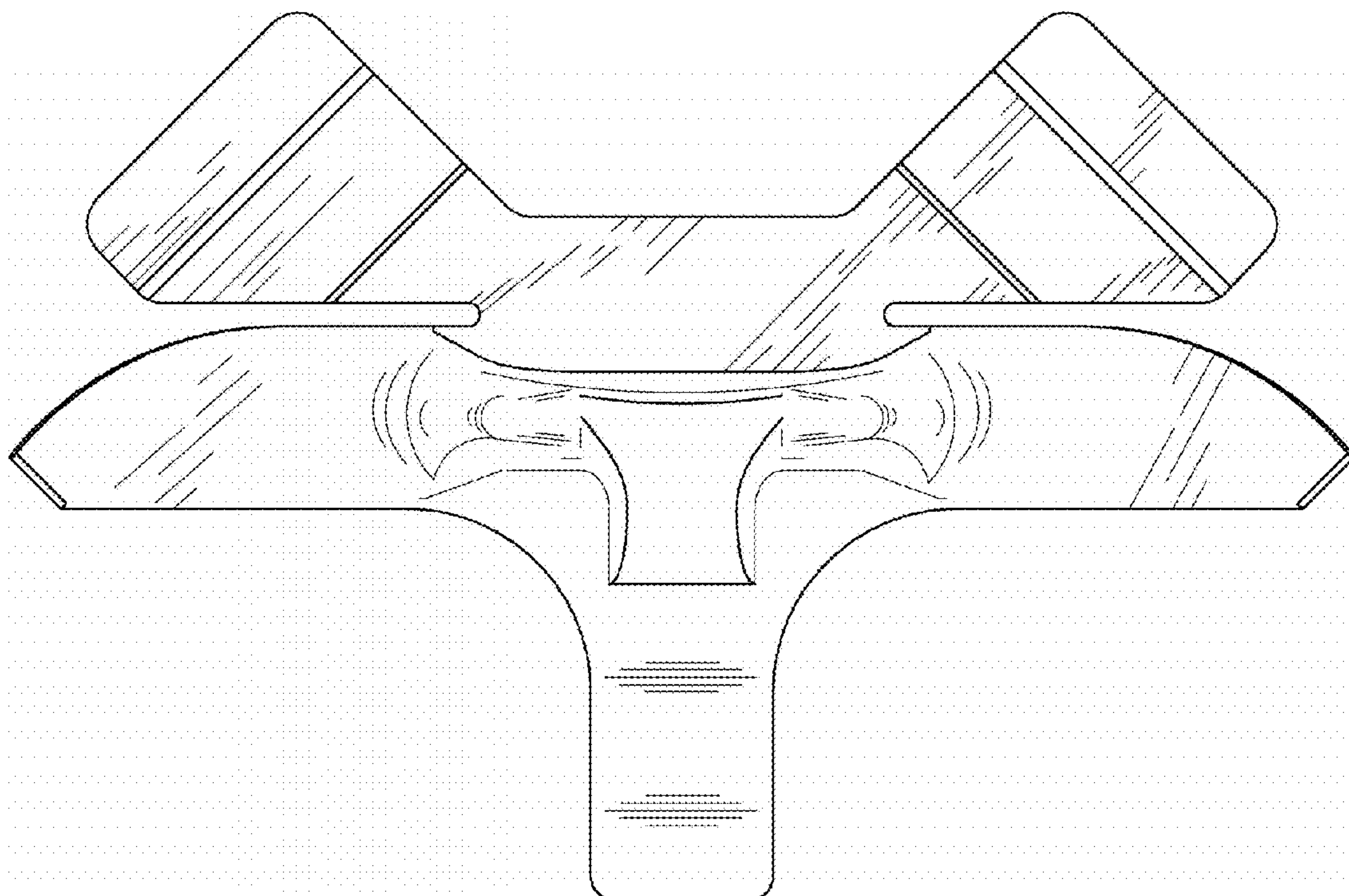


FIG. 1

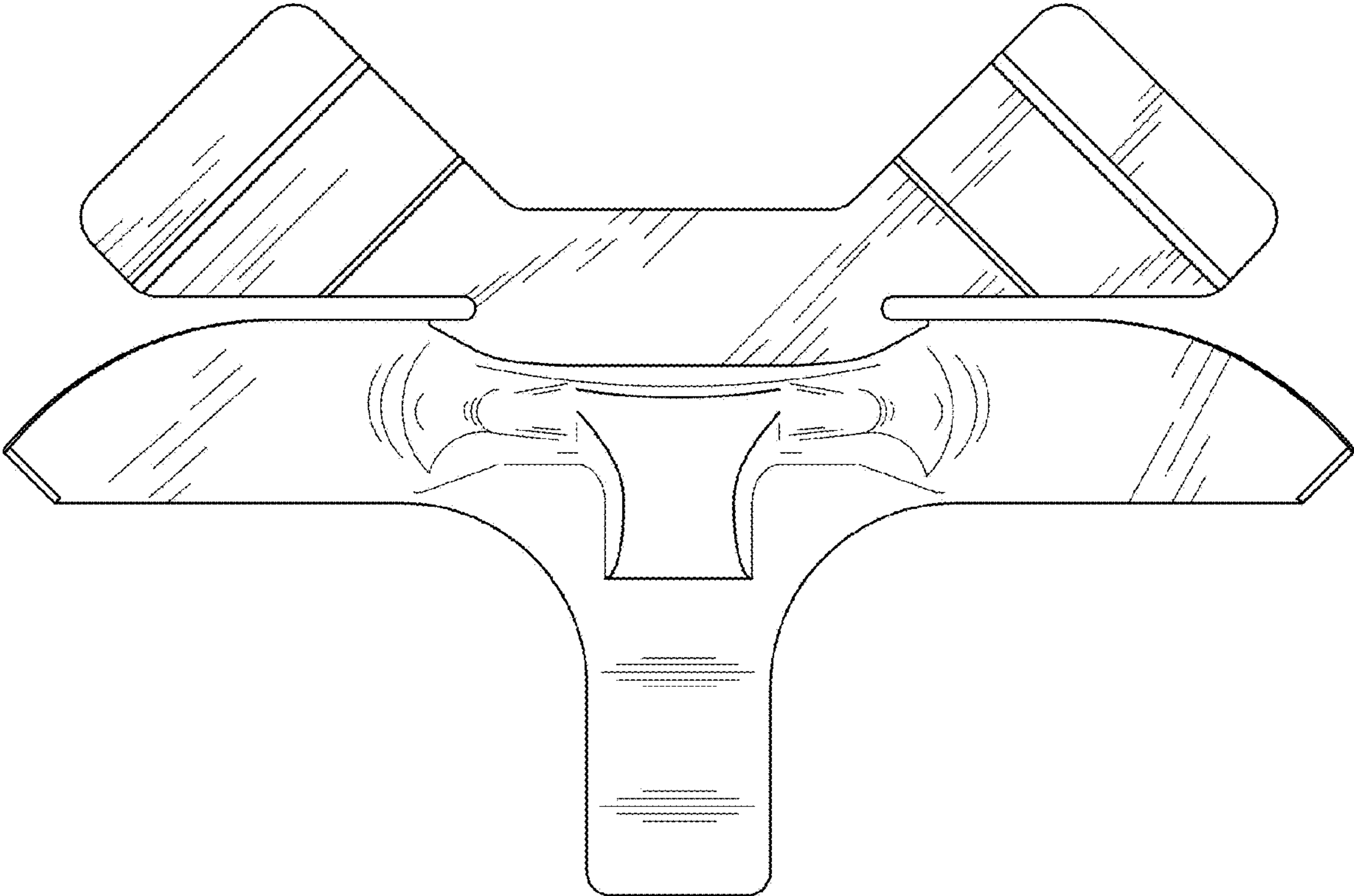


FIG. 2

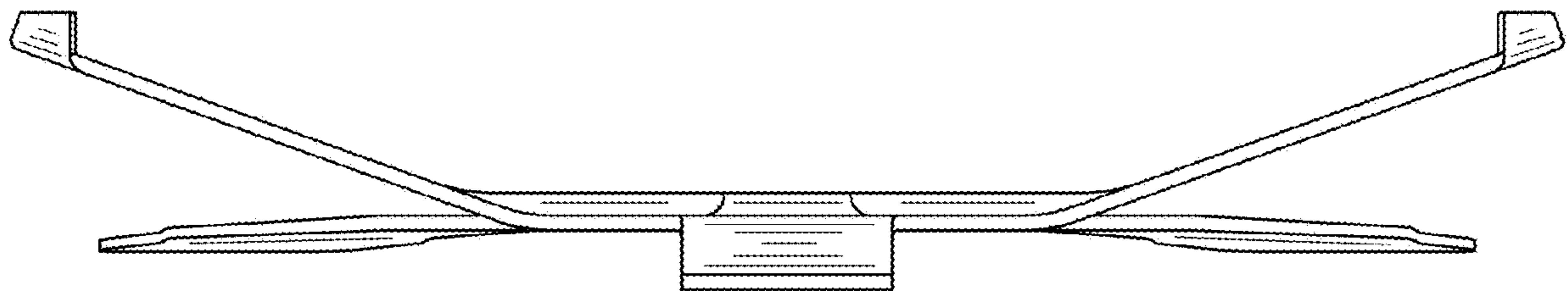


FIG 3

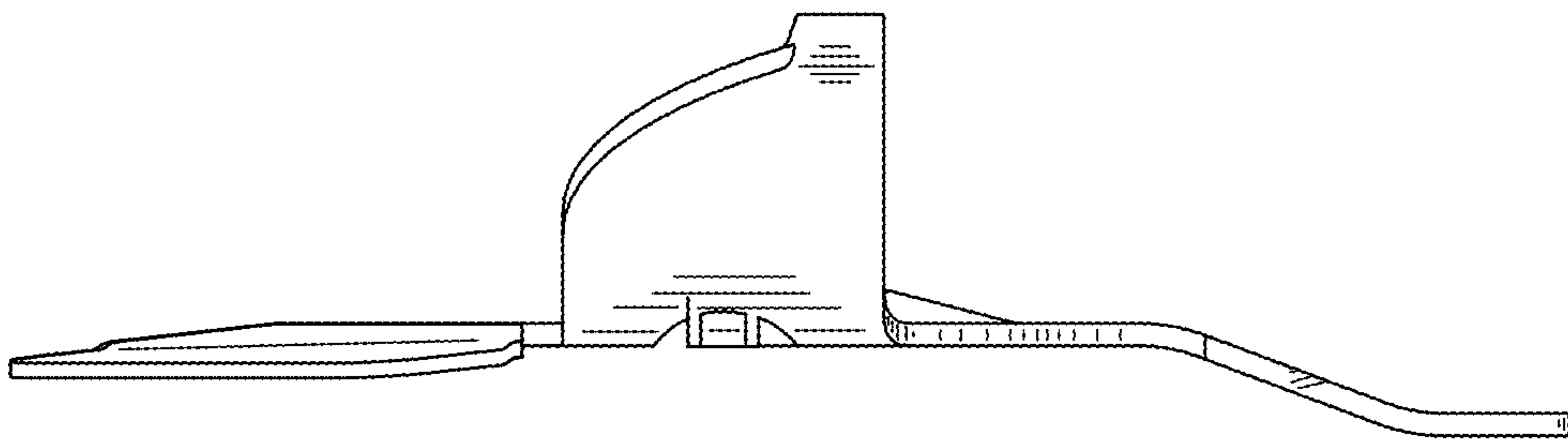


FIG. 4

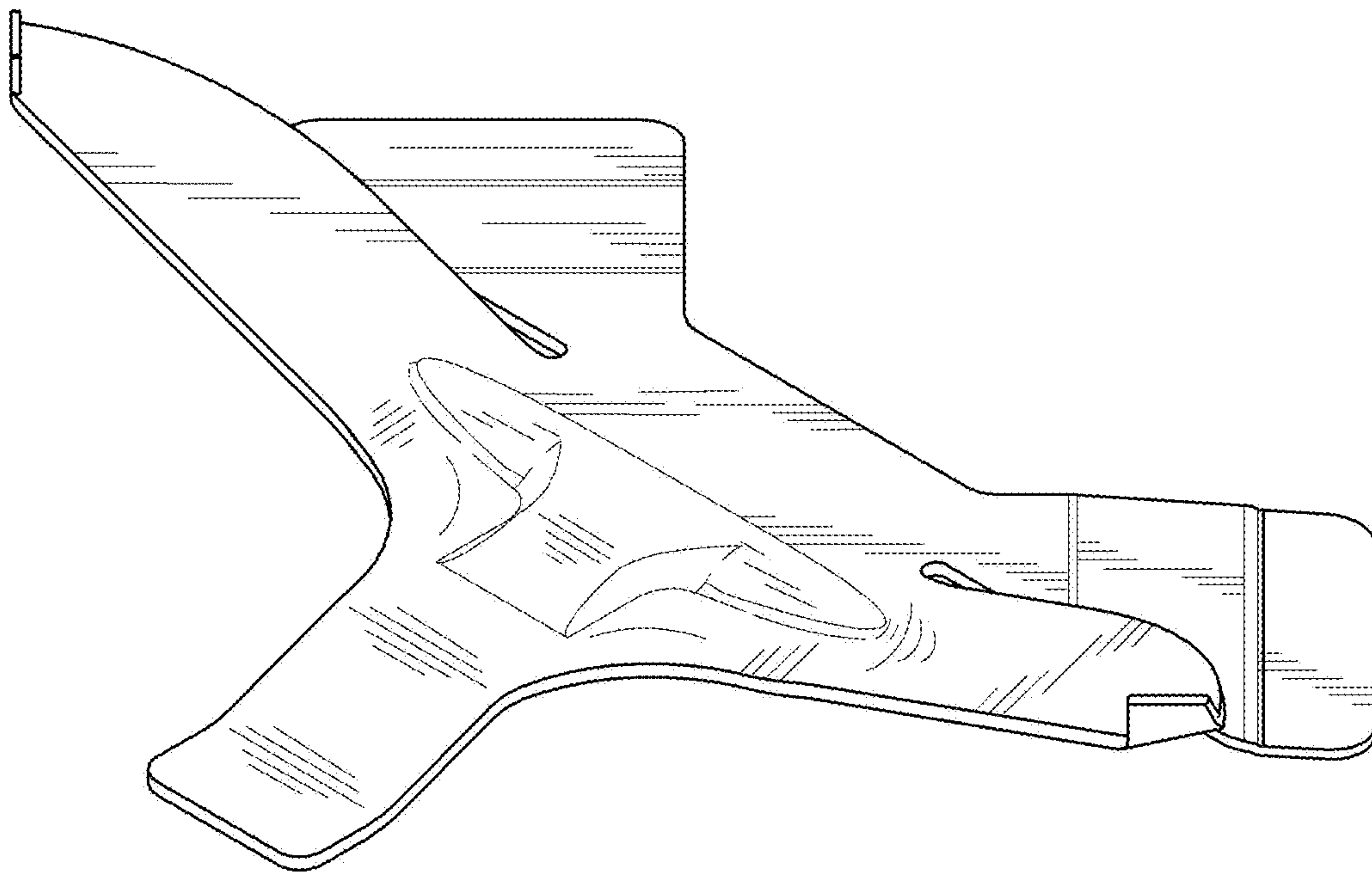


FIG. 5

