



US00D931707S

(12) **United States Design Patent**  
**Qiao**

(10) **Patent No.:** **US D931,707 S**

(45) **Date of Patent:** **\*\* Sep. 28, 2021**

(54) **LATCH**

(71) Applicant: **Shenzhen Diwen Zuanshi Co., Ltd.**,  
Guangdong (CN)

(72) Inventor: **Wangang Qiao**, Heilongjiang (CN)

(73) Assignee: **Shenzhen Diwen Zuanshi Co., Ltd.**,  
Guangdong (CN)

(\*\*) Term: **15 Years**

(21) Appl. No.: **29/745,854**

(22) Filed: **Aug. 10, 2020**

(51) **LOC (13) Cl.** ..... **08-07**

(52) **U.S. Cl.**  
USPC ..... **D8/338**

(58) **Field of Classification Search**  
USPC ..... D8/336, 338  
CPC .. E05B 65/0007; E05B 65/0014; E05B 13/00;  
E05B 55/00; E05B 59/00; E05B 61/00;  
B65D 50/00; E05C 19/003  
See application file for complete search history.

(56) **References Cited**

**U.S. PATENT DOCUMENTS**

D378,985 S \* 4/1997 Weinerman ..... D8/338  
D384,874 S \* 10/1997 Hoffmann ..... D8/338

D391,143 S \* 2/1998 Jancsek ..... D8/306  
7,396,056 B2 \* 7/2008 Cheng ..... E06B 9/00  
292/163  
10,450,795 B2 \* 10/2019 Raffi ..... E05C 19/06  
10,683,700 B2 \* 6/2020 Wang ..... E05B 65/0014

\* cited by examiner

*Primary Examiner* — Doris Clark

(74) *Attorney, Agent, or Firm* — ScienBiziP, P.C.

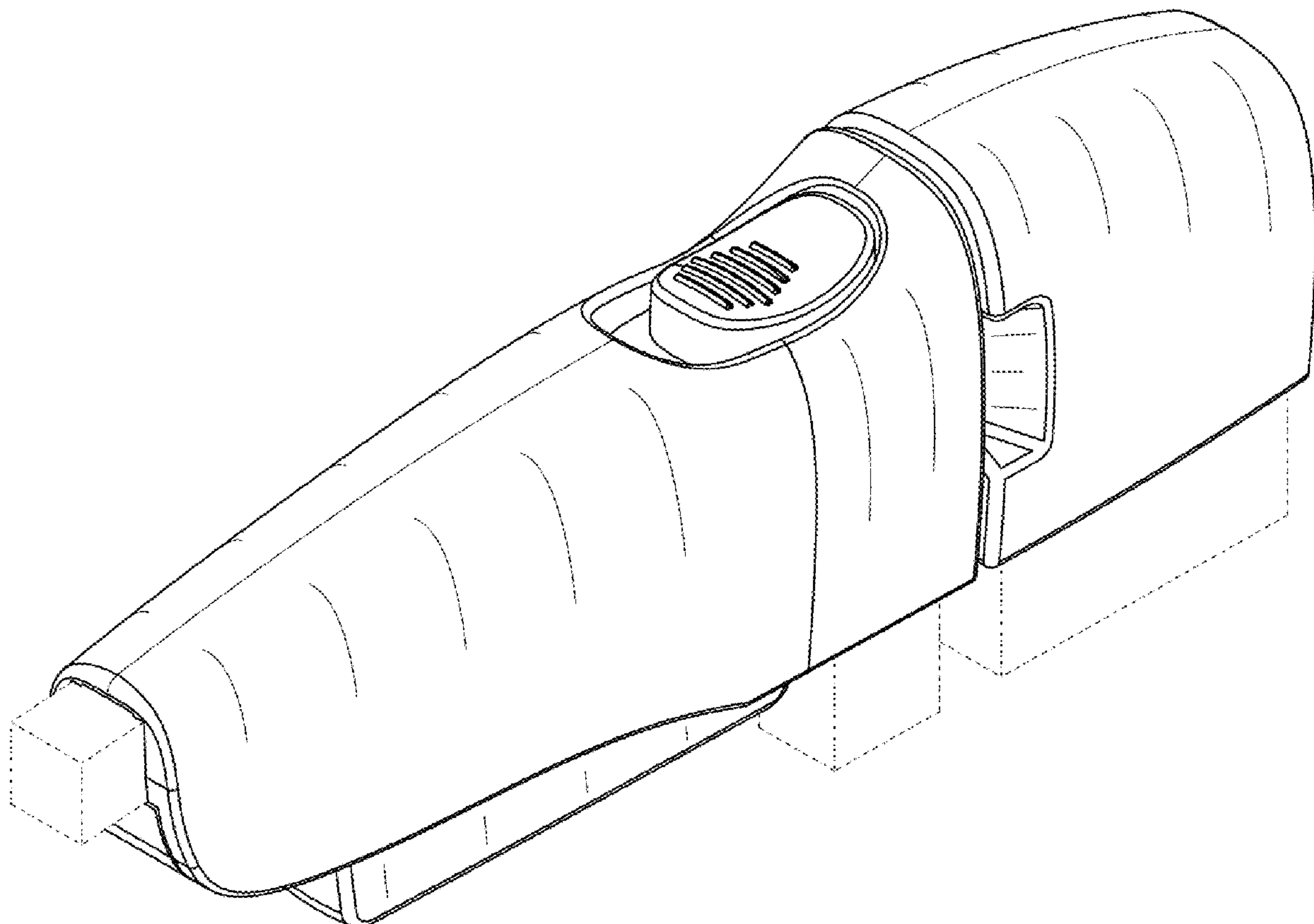
(57) **CLAIM**

The ornamental design for a latch, as shown and described.

**DESCRIPTION**

FIG. 1 is a front perspective view of a latch, showing my design.  
FIG. 2 is a front elevation view thereof.  
FIG. 3 is a rear elevation view thereof.  
FIG. 4 is a left side elevation view thereof.  
FIG. 5 is a right side elevation view thereof.  
FIG. 6 is a top plan view thereof; and,  
FIG. 7 is a bottom plan view thereof.  
The broken lines in the drawings depict environmental structure and boundaries and form no part of the claimed design.

**1 Claim, 7 Drawing Sheets**



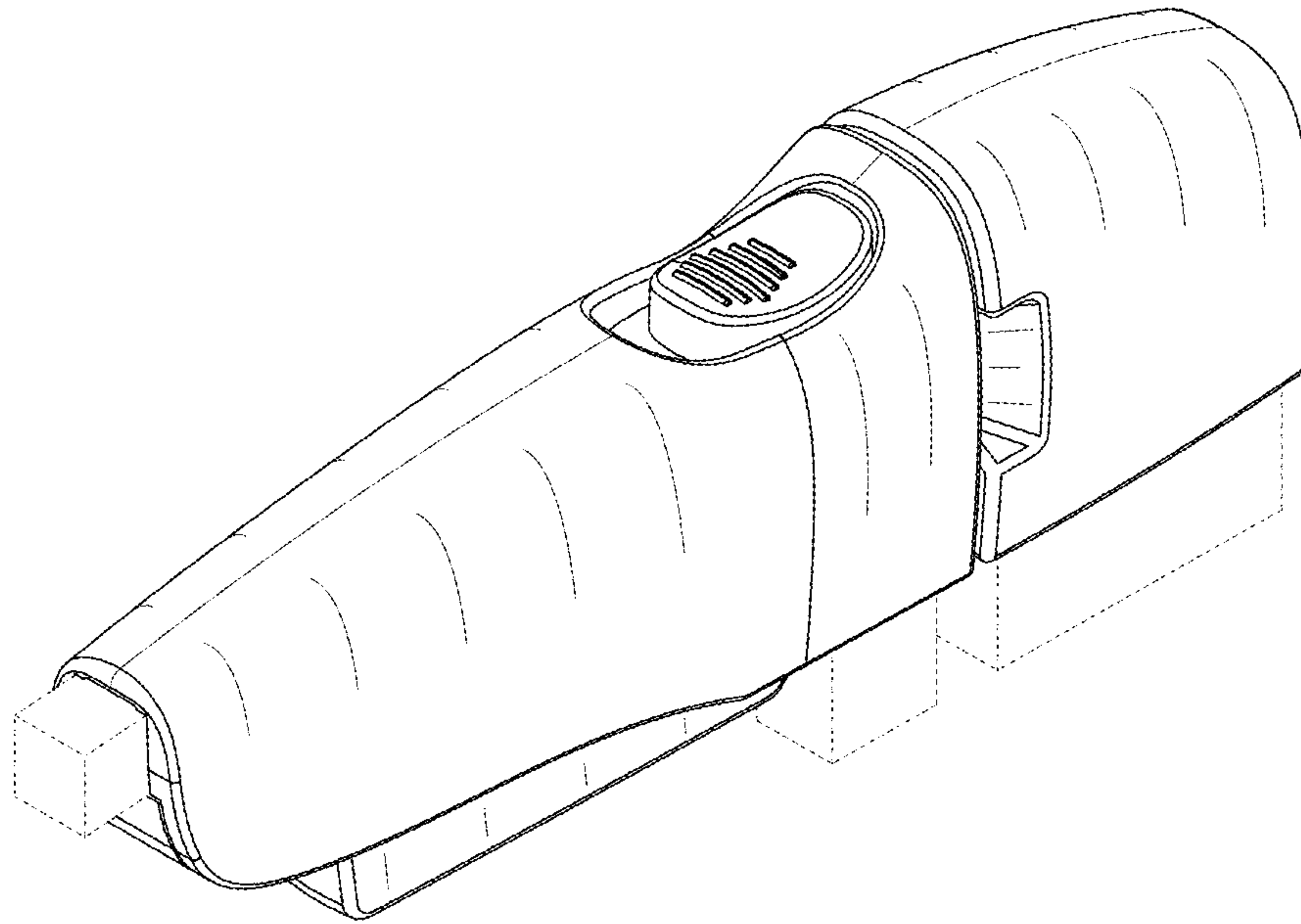


FIG.1

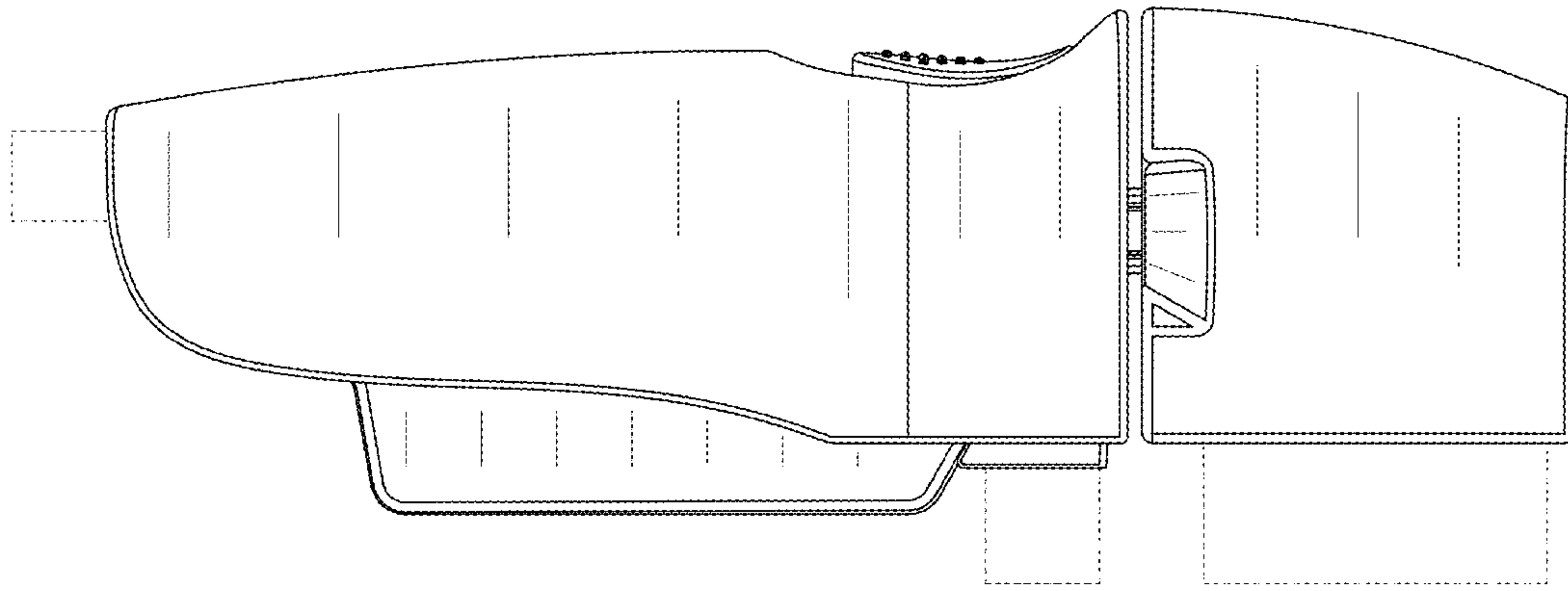


FIG.2

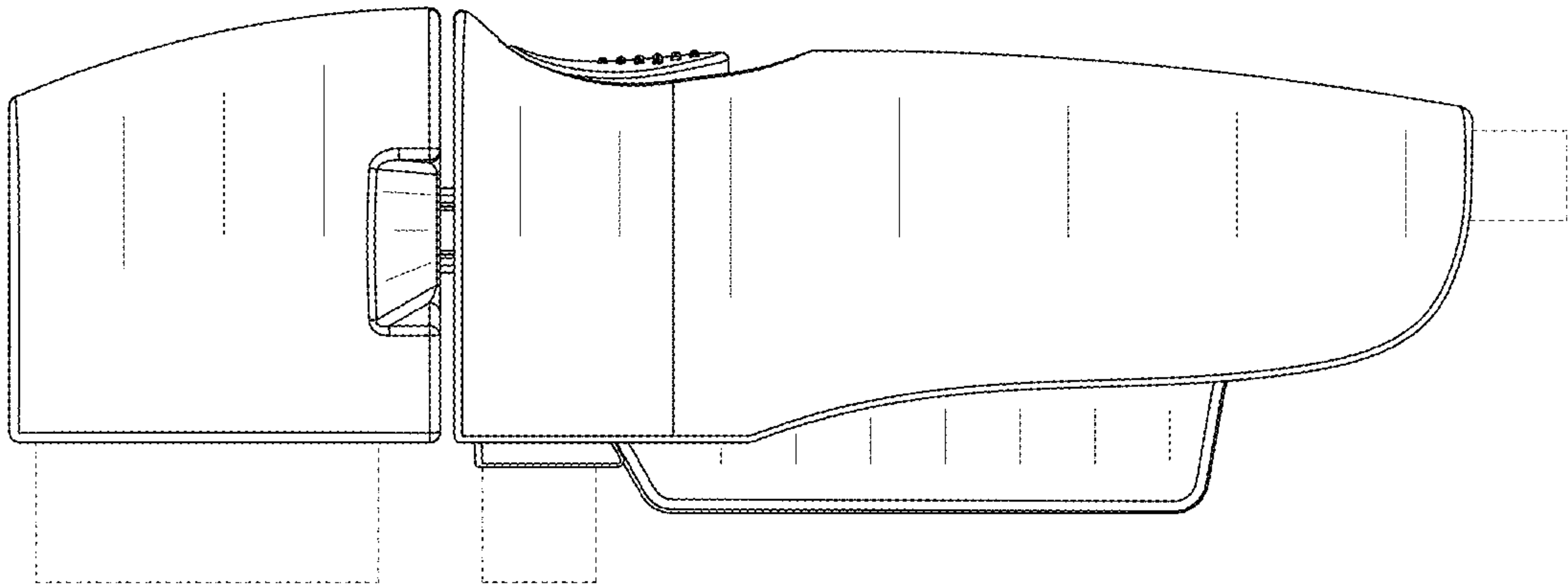


FIG.3

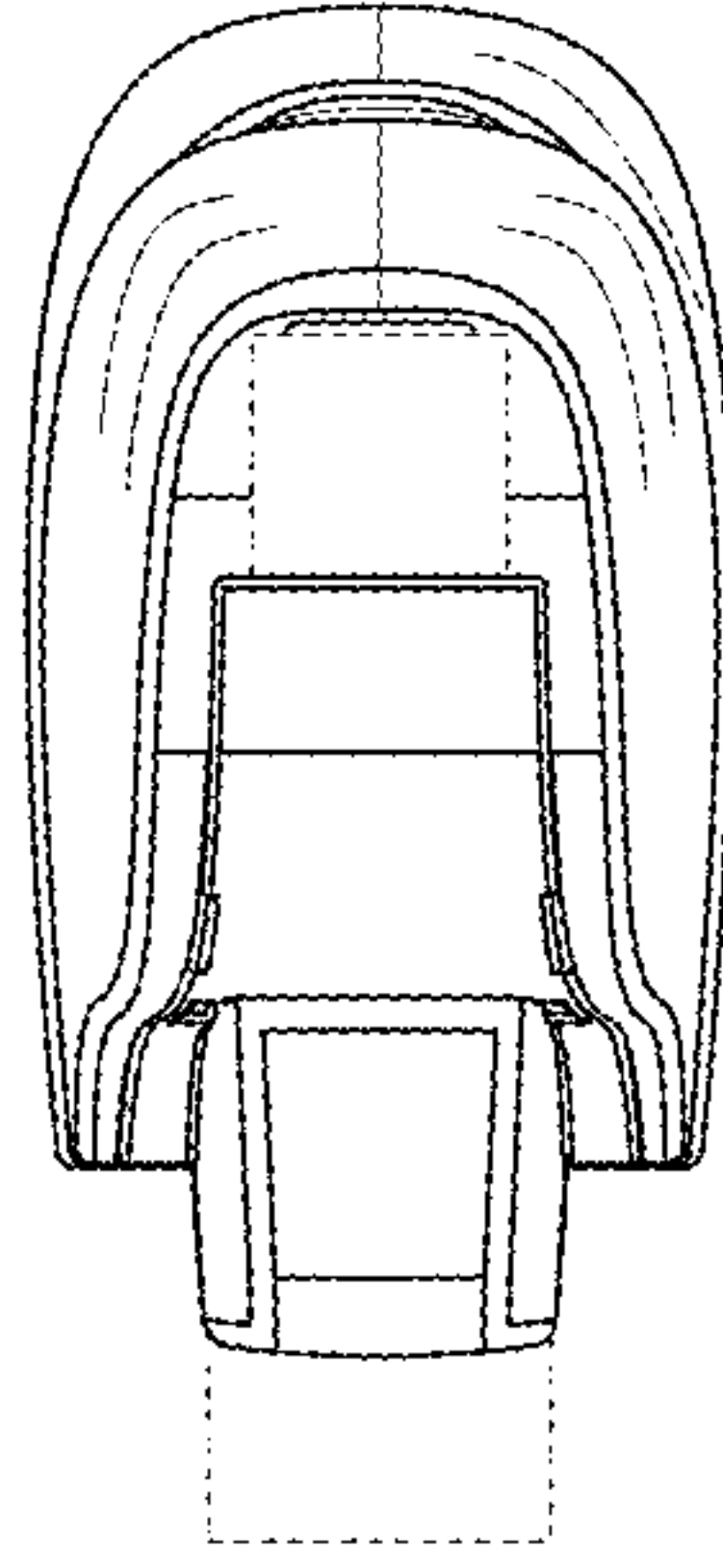


FIG.4

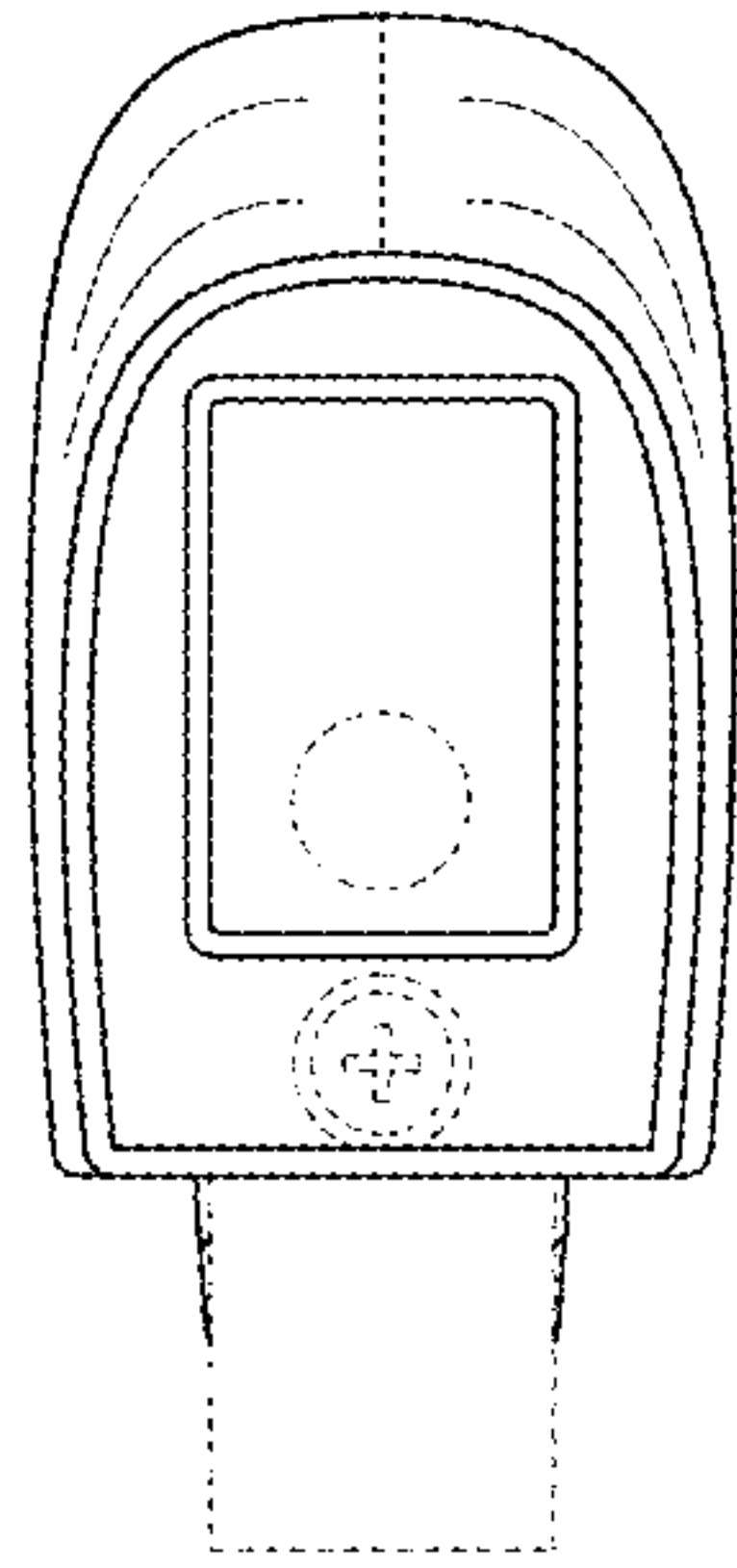


FIG.5

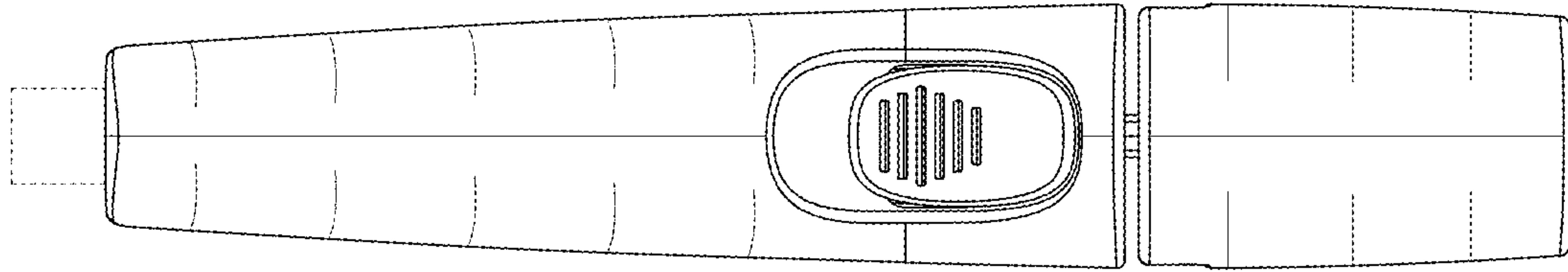


FIG.6

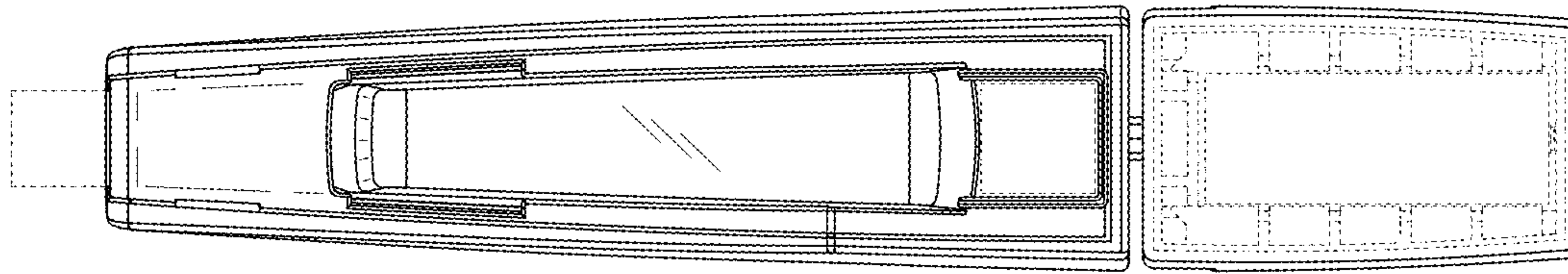


FIG.7