



US00D931705S

(12) **United States Design Patent**
Zhong

(10) **Patent No.:** **US D931,705 S**

(45) **Date of Patent:** **** Sep. 28, 2021**

(54) **U-LOCK**

(71) Applicant: **Sanxi Zhong**, Yueyang (CN)

(72) Inventor: **Sanxi Zhong**, Yueyang (CN)

(**) Term: **15 Years**

(21) Appl. No.: **29/726,213**

(22) Filed: **Mar. 2, 2020**

(51) **LOC (13) Cl.** **08-07**

(52) **U.S. Cl.**
USPC **D8/333**

(58) **Field of Classification Search**
USPC D8/333
CPC E05B 71/00; B62H 5/00; B62H 2005/008
See application file for complete search history.

(56) **References Cited**

U.S. PATENT DOCUMENTS

D367,601 S * 3/1996 Brendel D8/333
9,079,626 B2 * 7/2015 Zuraski E05B 71/00
D775,510 S * 1/2017 Lee D8/333

D791,571 S * 7/2017 Idzkowski D8/334
9,822,559 B2 * 11/2017 Smith E05B 67/38
9,890,561 B2 * 2/2018 Perrenoud E05B 71/00
10,378,246 B2 * 8/2019 Perrenoud B65D 83/384

* cited by examiner

Primary Examiner — Doris Clark

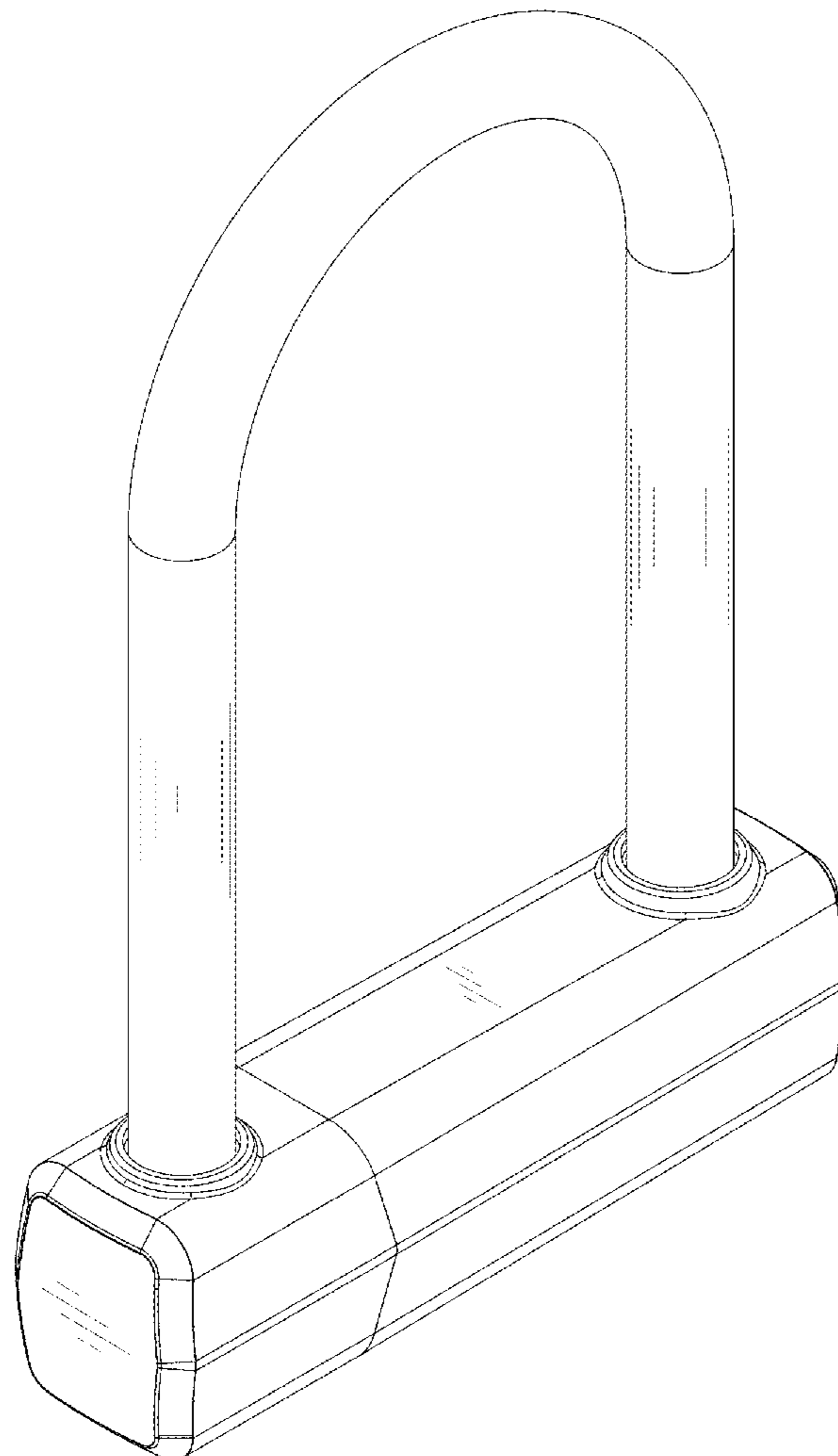
(57) **CLAIM**

The ornamental design for a U-lock, as shown and described.

DESCRIPTION

FIG. 1 is a front, top perspective view of a U-lock showing my new design;
FIG. 2 is a front, bottom perspective view thereof;
FIG. 3 is a front elevational view thereof;
FIG. 4 is a rear elevational view thereof;
FIG. 5 is a left side elevational view thereof;
FIG. 6 is a right side elevational view thereof;
FIG. 7 is a top plan view thereof; and,
FIG. 8 is a bottom plan view thereof.

1 Claim, 7 Drawing Sheets



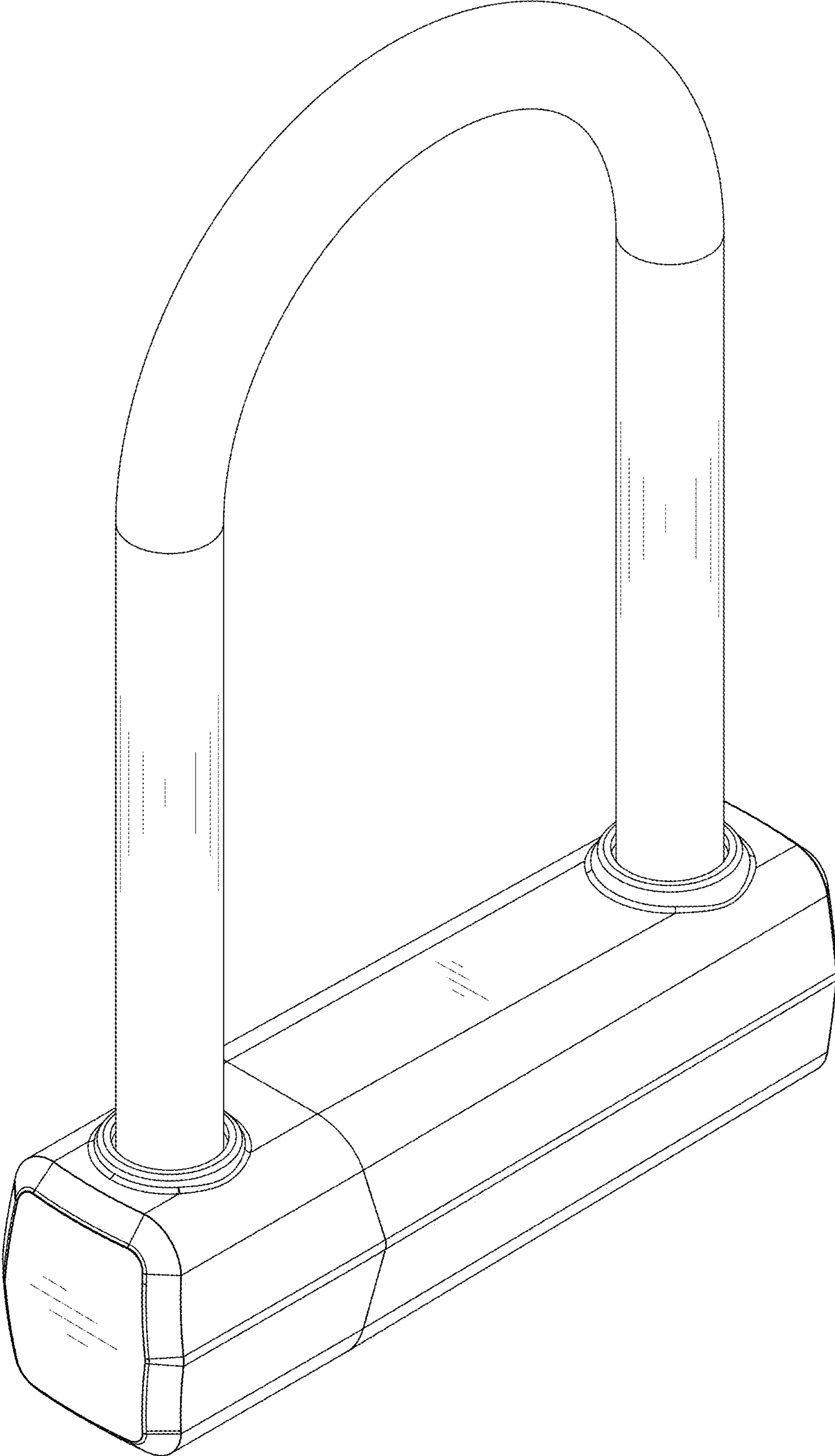


FIG. 1

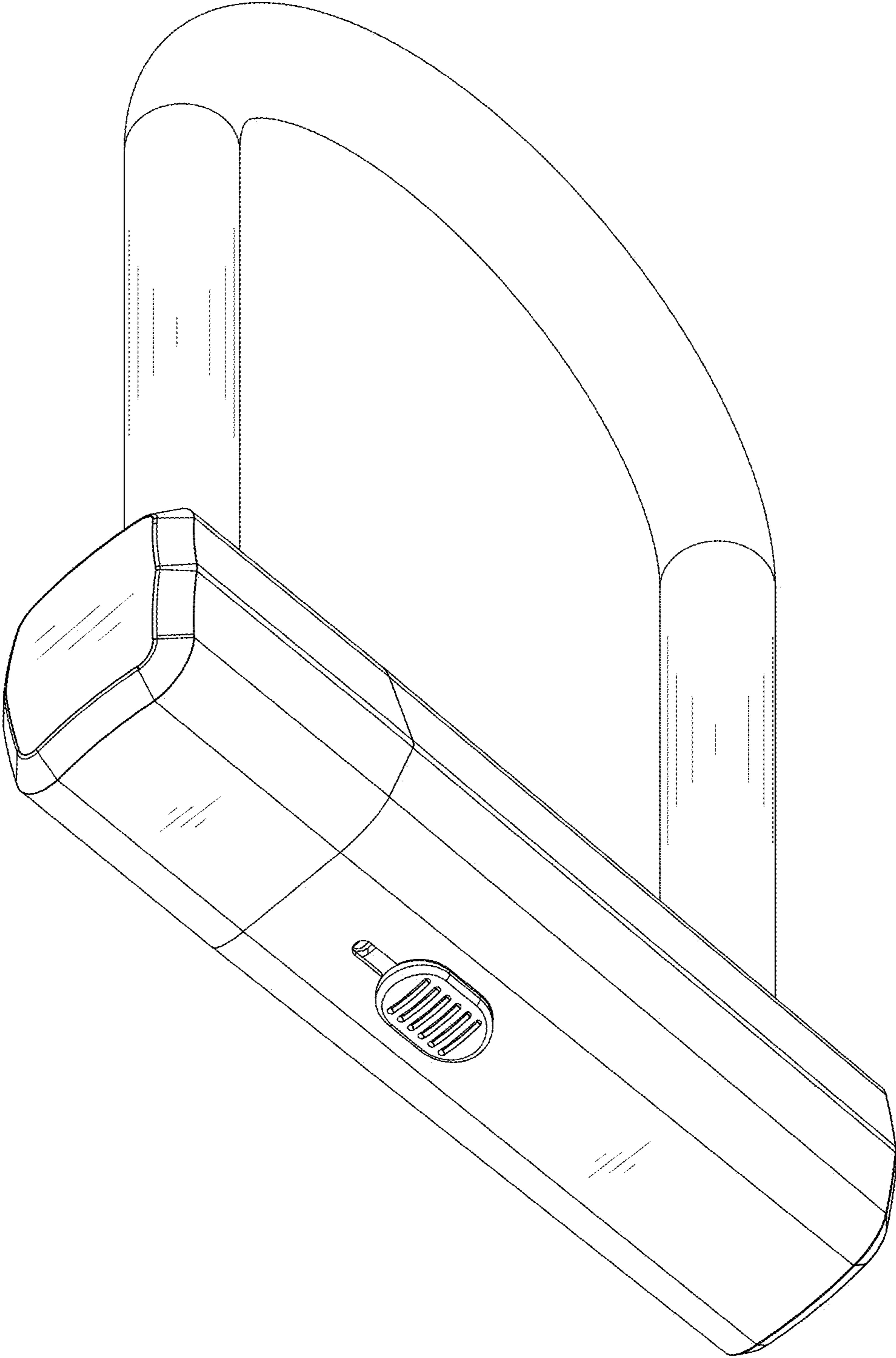


FIG. 2

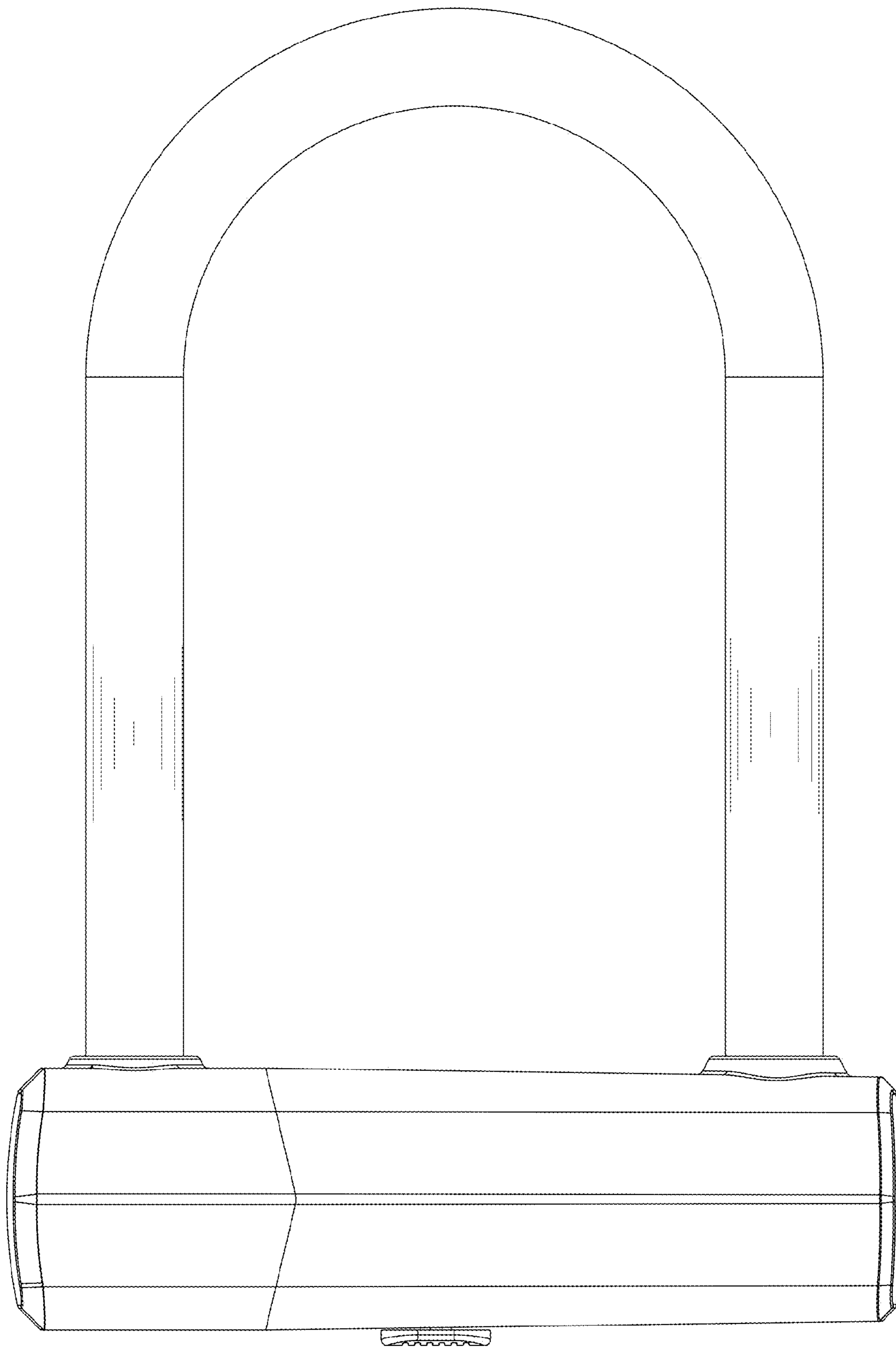


FIG. 3

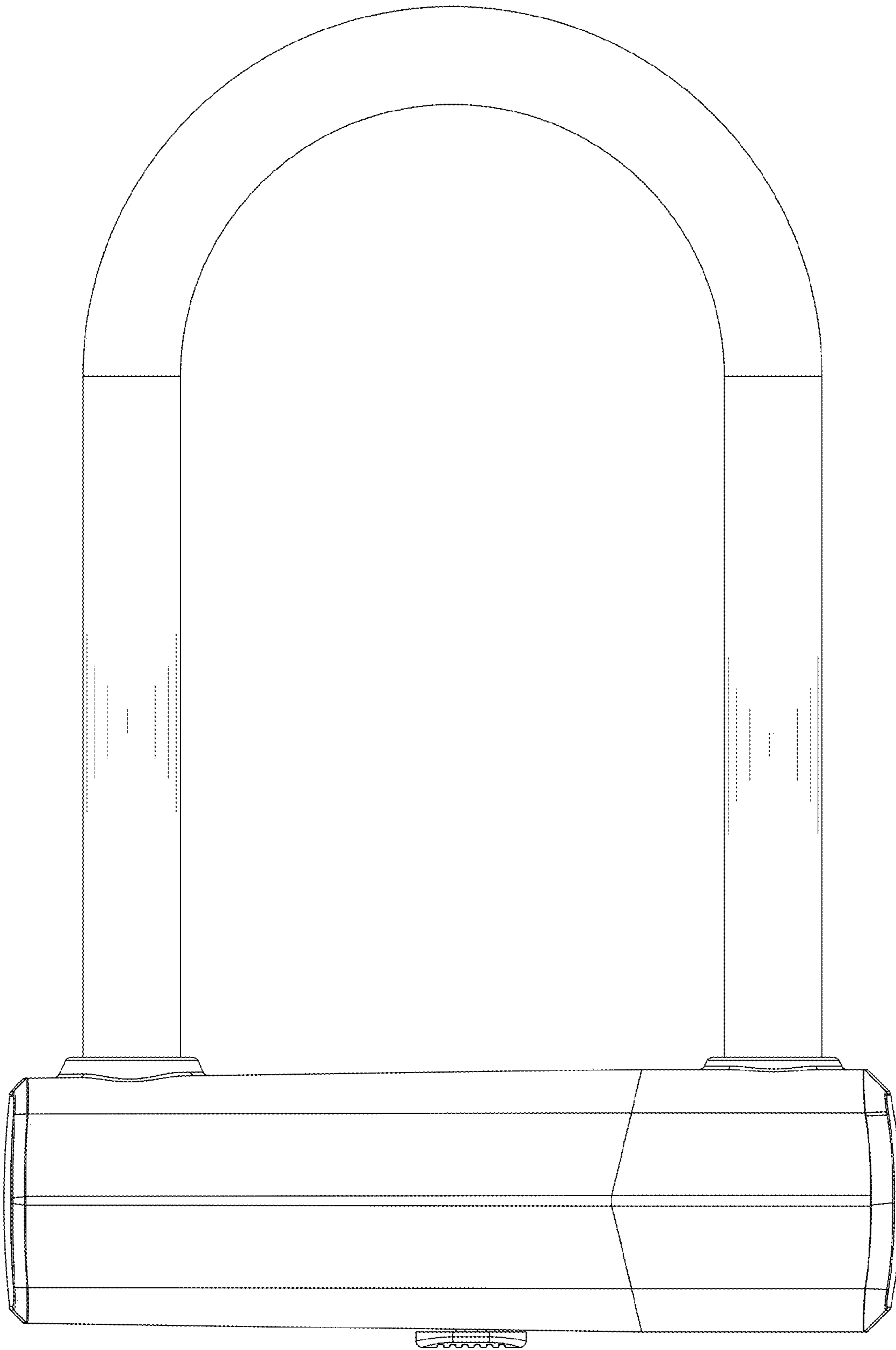


FIG. 4

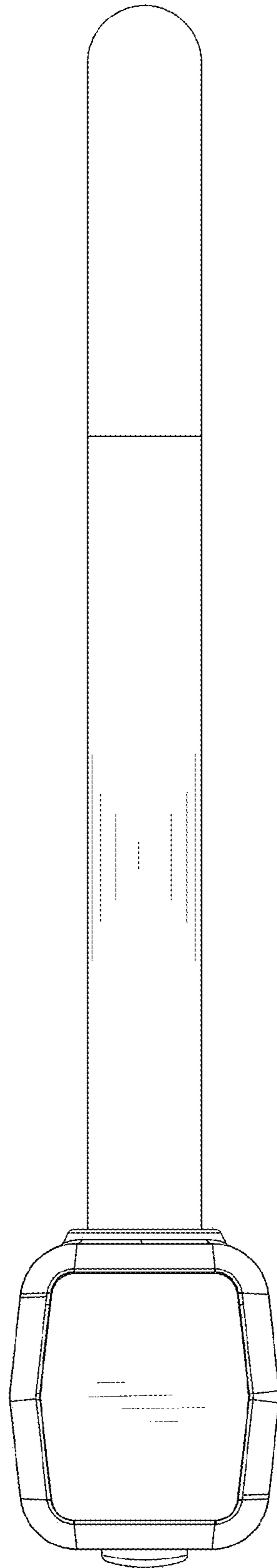


FIG. 5

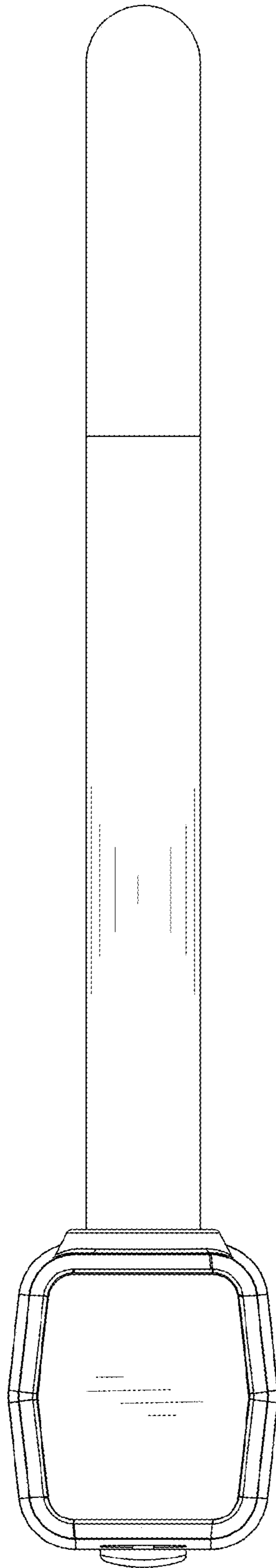


FIG. 6

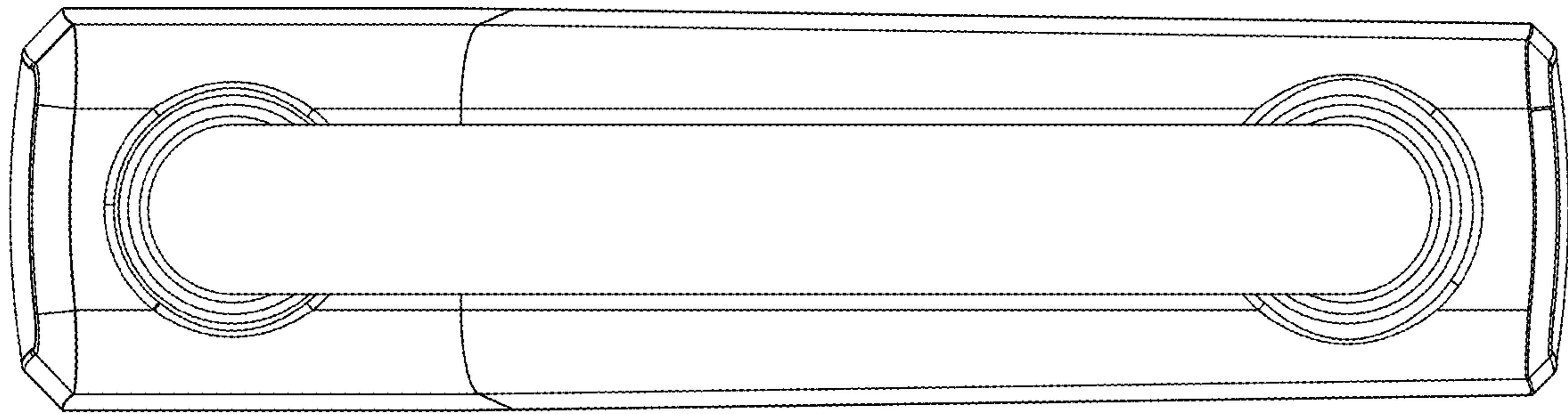


FIG. 7

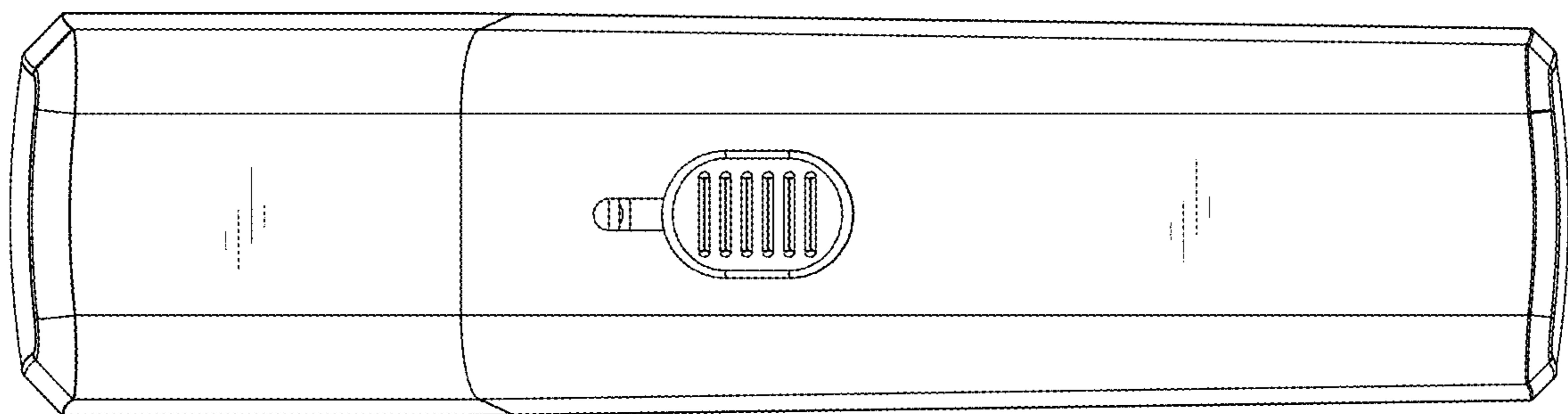


FIG. 8