



US00D931702S

(12) **United States Design Patent** (10) **Patent No.:** **US D931,702 S**
Papenfuss (45) **Date of Patent:** **** Sep. 28, 2021**

(54) **ERGONOMIC ROTARY CUTTER**
(71) Applicant: **William Prym GmbH & Co. KG,**
Stolberg (DE)
(72) Inventor: **Andreas Papenfuss,** Weimar (DE)
(73) Assignee: **William Prym GmbH & Co. KG,**
Stolberg (DE)
(**) Term: **15 Years**
(21) Appl. No.: **29/720,814**
(22) Filed: **Jan. 16, 2020**

6,438,850 B2 8/2002 Young et al.
6,484,405 B1 11/2002 Martelli
7,073,263 B2 7/2006 Kawasaki
D557,583 S * 12/2007 Lewis D8/95
7,363,710 B2 4/2008 Heiberg
D582,239 S * 12/2008 Eby D8/98
D594,292 S * 6/2009 Eide D7/694
D596,009 S * 7/2009 Sawhney D8/98
D634,990 S * 3/2011 Cohen D7/694
D642,879 S * 8/2011 Chan D7/694
8,046,922 B2 11/2011 Alling
D664,824 S * 8/2012 Cunningham D8/98
D691,868 S * 10/2013 Watanabe D8/98
D744,806 S * 12/2015 Pirayesh D8/98
D752,409 S * 3/2016 Pirayesh D8/98

(Continued)

(30) **Foreign Application Priority Data**
Jul. 29, 2019 (EM) 6651626
(51) **LOC (13) Cl.** **08-03**
(52) **U.S. Cl.**
USPC **D8/98**
(58) **Field of Classification Search**
USPC D8/51, 98; D7/694
CPC B26B 25/00; B26B 25/005; B26B 21/185
See application file for complete search history.

FOREIGN PATENT DOCUMENTS

DE M8900617 8/1990
DE 20021142 U1 3/2001
EP 0201839 A2 11/1986

Primary Examiner — Philip S Hyder
(74) *Attorney, Agent, or Firm* — Oppedahl Patent Law Firm LLC

(56) **References Cited**
U.S. PATENT DOCUMENTS
2,695,447 A 11/1954 Todd
5,101,564 A * 4/1992 Melter B26B 5/003
30/292
5,144,749 A 9/1992 Chen
D341,764 S * 11/1993 Birkholz D8/98
5,299,355 A * 4/1994 Boda B26B 5/003
30/162
D388,305 S * 12/1997 Schulz D8/51
5,765,289 A 6/1998 Cornell
D430,475 S * 9/2000 Hirai D8/98
D432,888 S * 10/2000 Robillard D8/98
6,282,794 B1 9/2001 Cho

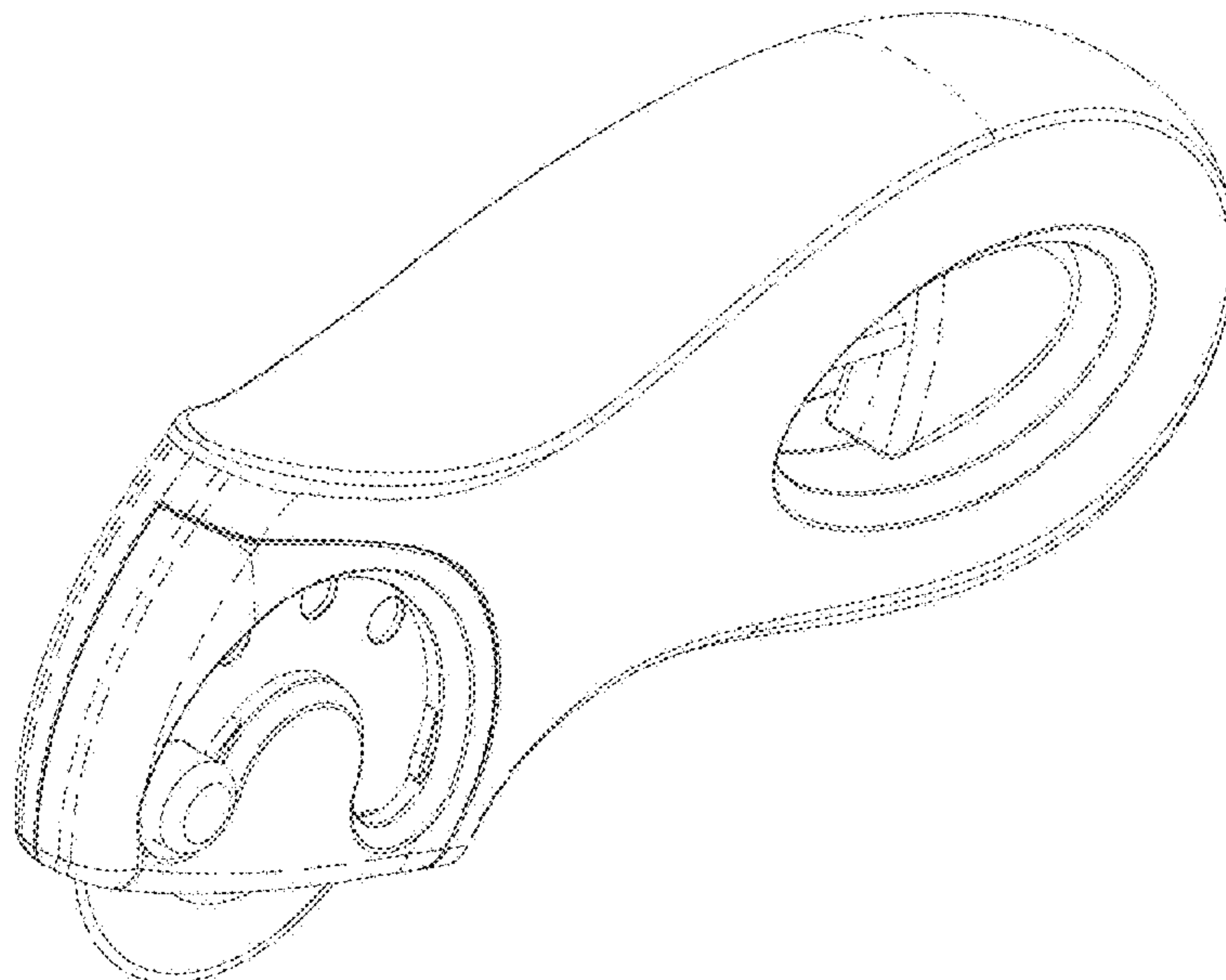
(57) **CLAIM**

The ornamental design for an ergonomic rotary cutter, as shown and described.

DESCRIPTION

FIG. 1 is a perspective view;
FIG. 2 is a front view;
FIG. 3 is a rear view;
FIG. 4 is a top view;
FIG. 5 is a bottom view;
FIG. 6 is a left side view; and,
FIG. 7 is a right side view.
The broken lines appearing on the surfaces of the ergonomic rotary cutter, form no part of the claimed design.

1 Claim, 7 Drawing Sheets



(56)

References Cited

U.S. PATENT DOCUMENTS

9,278,459	B2	3/2016	Block	
D756,190	S *	5/2016	Pirayesh	D8/98
D801,132	S *	10/2017	Hauser	D7/694
D817,144	S *	5/2018	Siciliano	D8/98
D902,675	S *	11/2020	Willmoth	D7/694
2003/0131483	A1 *	7/2003	Carlson	B26B 25/005 30/319
2006/0236551	A1 *	10/2006	Chang	B26B 25/005 30/319
2008/0010838	A1 *	1/2008	Kortleven	B26B 25/005 30/319
2008/0010839	A1 *	1/2008	Eby	B26B 25/005 30/319
2013/0283622	A1	10/2013	Eto	
2015/0266193	A1	9/2015	Bell	
2016/0193741	A1	7/2016	Wong	
2017/0297214	A1	10/2017	Liu	
2019/0240853	A1 *	8/2019	Mortensen	B26B 21/185

* cited by examiner

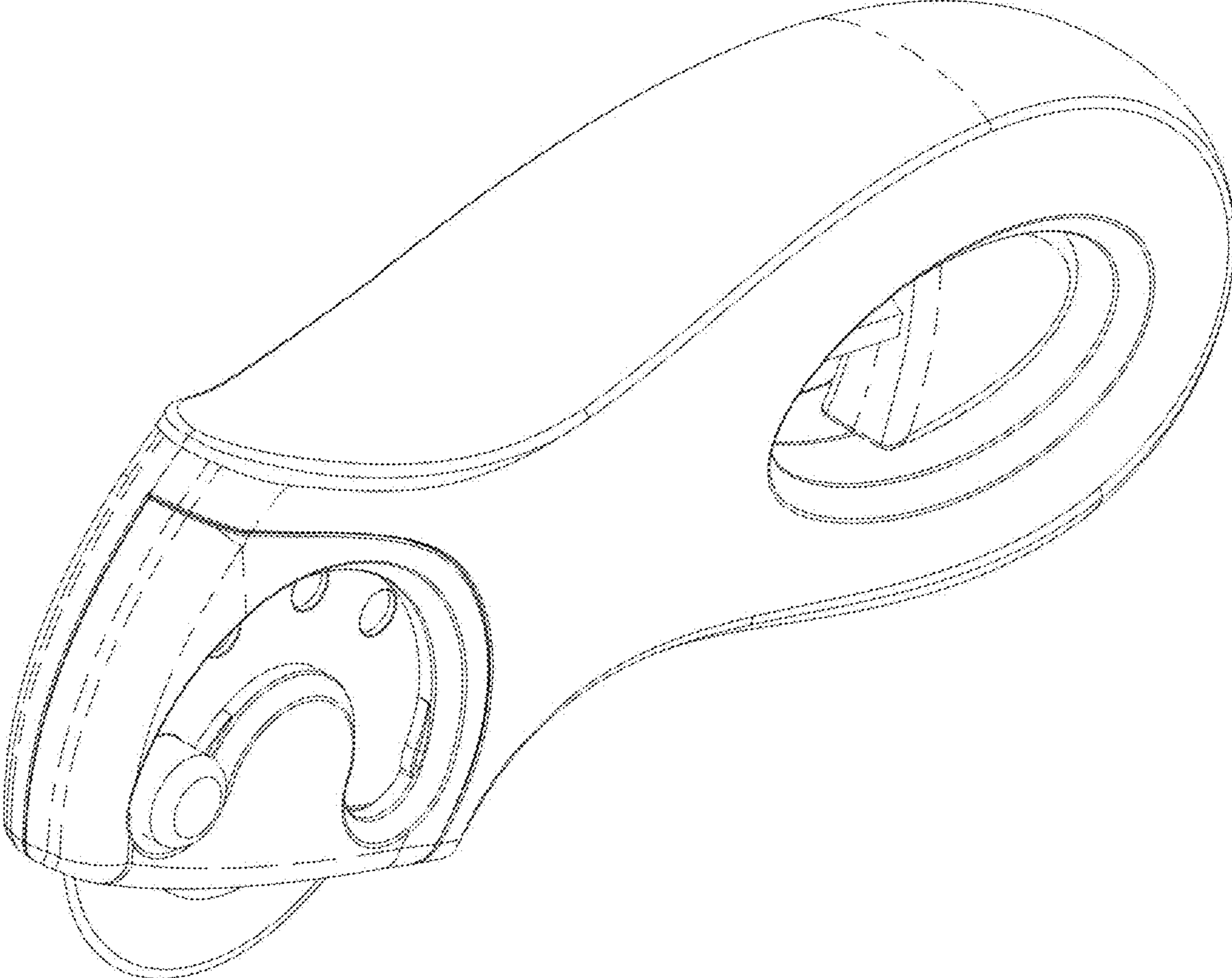


Fig. 1

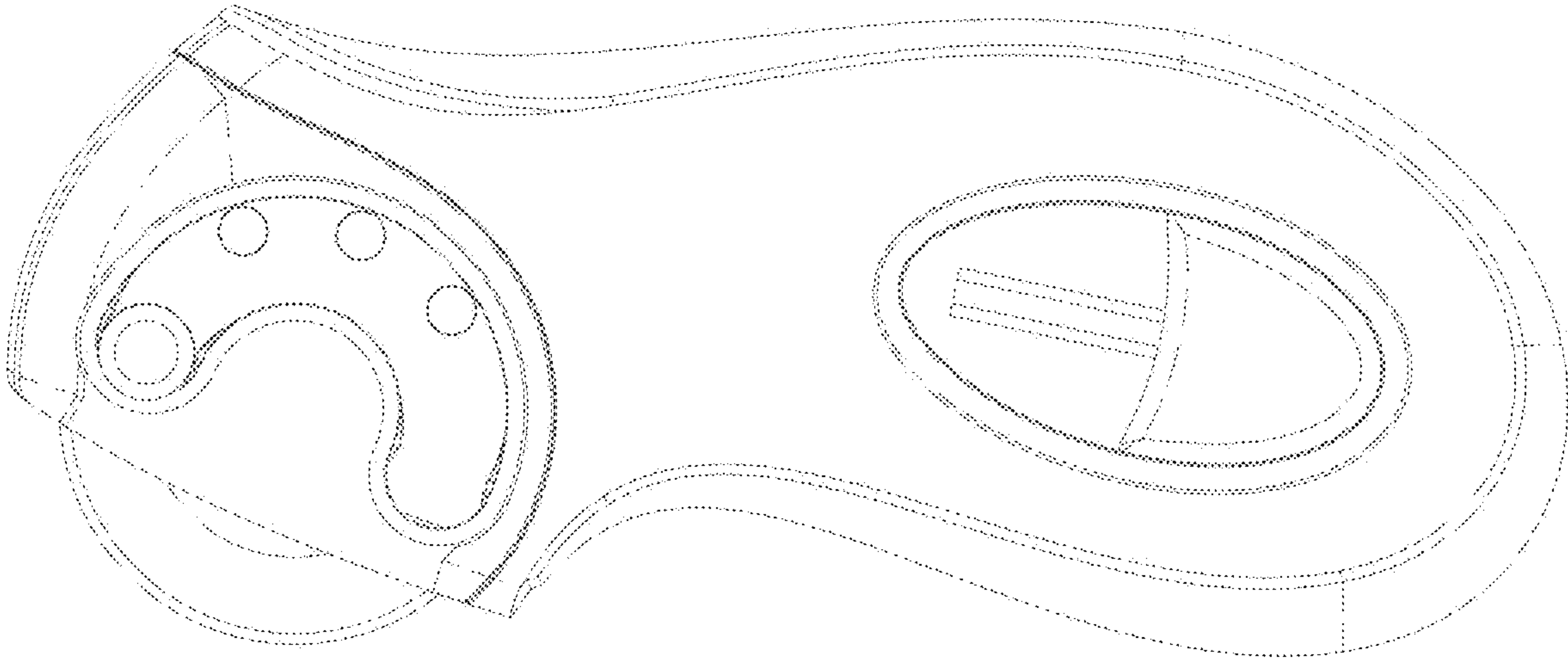


Fig. 2

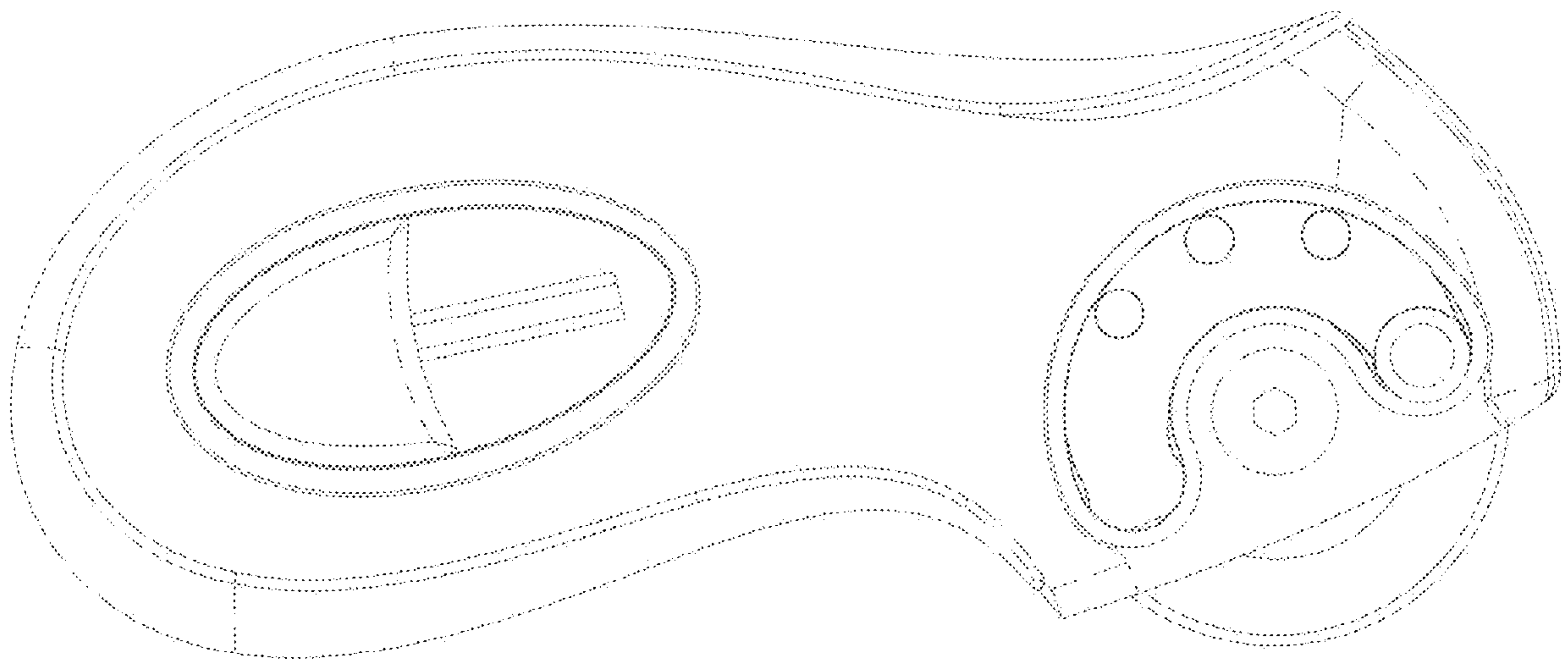


Fig. 3

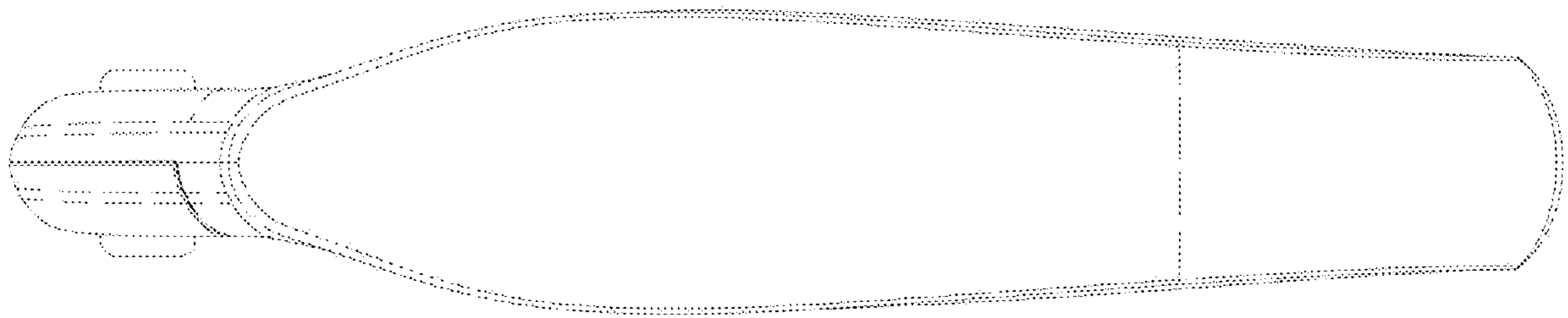


Fig. 4

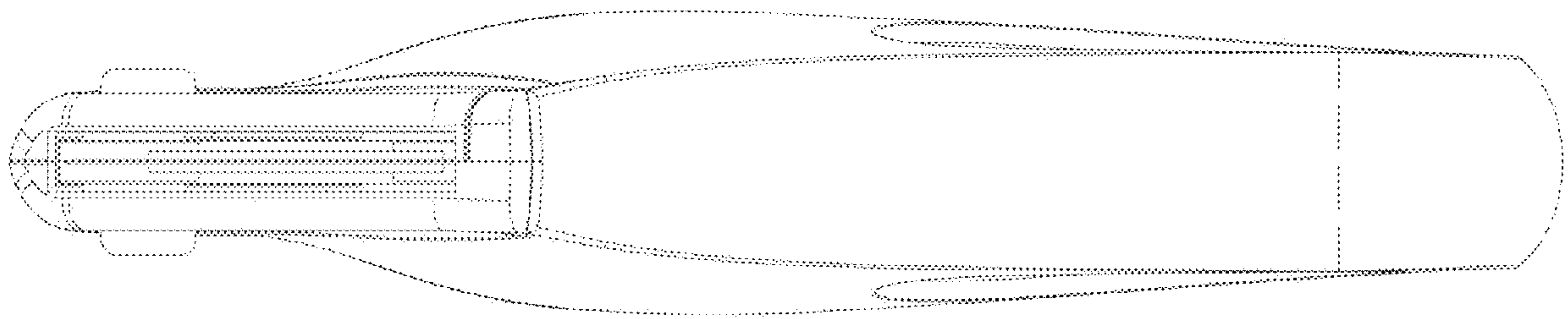


Fig. 5

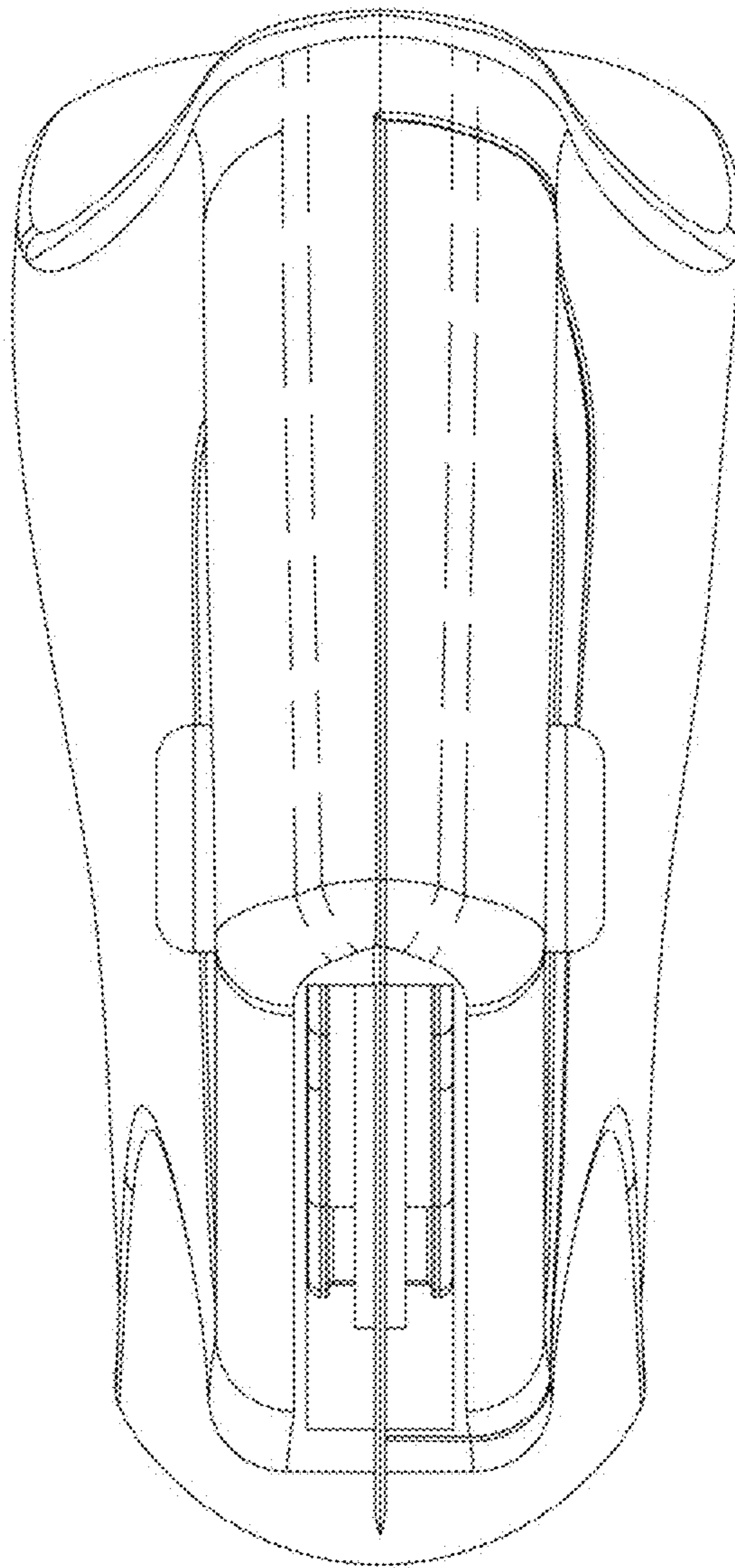


Fig. 6

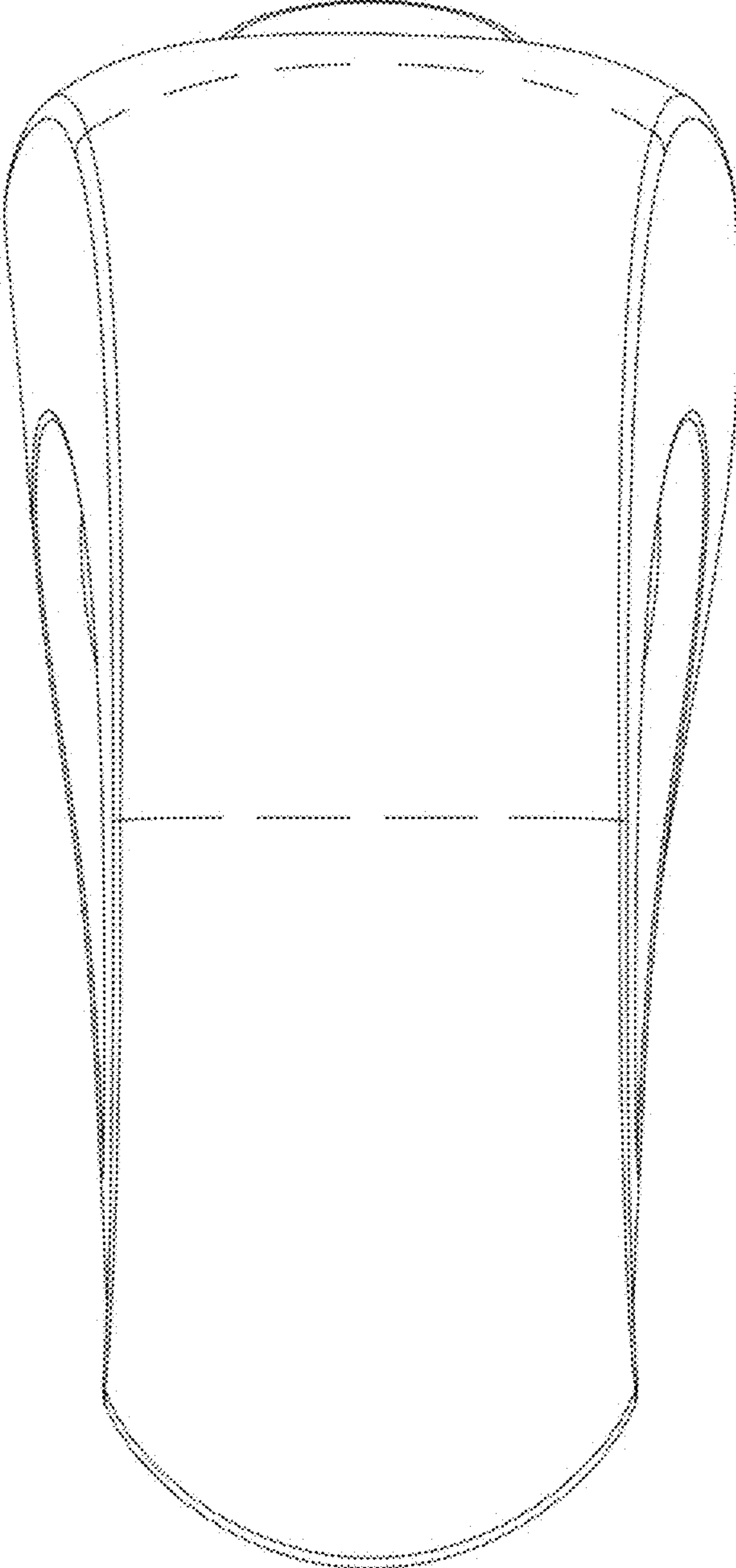


Fig. 7