



US00D931700S

(12) **United States Design Patent** (10) **Patent No.:** **US D931,700 S**
Pawar et al. (45) **Date of Patent:** **** Sep. 28, 2021**

(54) **POWER TOOL**

(71) Applicant: **ATLAS COPCO INDUSTRIAL
TECHNIQUE AB**, Stockholm (SE)

(72) Inventors: **Apurba Pawar**, Stockholm (SE);
Henrik Sohlman, Skogås (SE)

(73) Assignee: **ATLAS COPCO INDUSTRIAL
TECHNIQUE AB**, Stockholm (SE)

D484,380 S * 12/2003 Chen D8/61
D497,787 S 11/2004 Liao
6,883,619 B1 4/2005 Huang
6,978,526 B1 12/2005 Lin
D515,377 S 2/2006 Chung et al.
D521,339 S 5/2006 Chen
D525,500 S * 7/2006 Chen D8/61
7,082,657 B1 8/2006 Lin
7,284,404 B2 10/2007 Lin
D583,209 S 12/2008 Shyeh

(Continued)

(**) Term: **15 Years**

(21) Appl. No.: **29/731,637**

(22) Filed: **Apr. 16, 2020**

(30) **Foreign Application Priority Data**

Oct. 17, 2019 (EM) 007038625-0005
Oct. 17, 2019 (EM) 007038625-0006

(51) **LOC (13) Cl.** **08-01**

(52) **U.S. Cl.**
USPC **D8/61**

(58) **Field of Classification Search**
USPC D8/61, 62, 67, 69; 81/57, 57.11, 57.14,
81/57.26, 429, 464, 469; 173/2, 170,
173/176, 181
CPC B25B 21/00; F16D 41/206; B25F 5/001
See application file for complete search history.

(56) **References Cited**

U.S. PATENT DOCUMENTS

5,083,619 A 1/1992 Giardino et al.
5,100,023 A 3/1992 Varian et al.
D403,564 S 1/1999 Izumisawa
6,158,528 A 12/2000 Izumisawa
6,276,037 B1 8/2001 Solfronk
D461,110 S 8/2002 Izumisawa
D462,883 S 9/2002 Steiner et al.
D468,605 S * 1/2003 Morgan D8/61

OTHER PUBLICATIONS

Design U.S. Appl. No. 29/731,625; First Named Inventor: Francisco Lindoro; filed Apr. 16, 2020; Title: "Power Tool".

(Continued)

Primary Examiner — Austin Murphy

(74) *Attorney, Agent, or Firm* — Holtz, Holtz & Volek PC

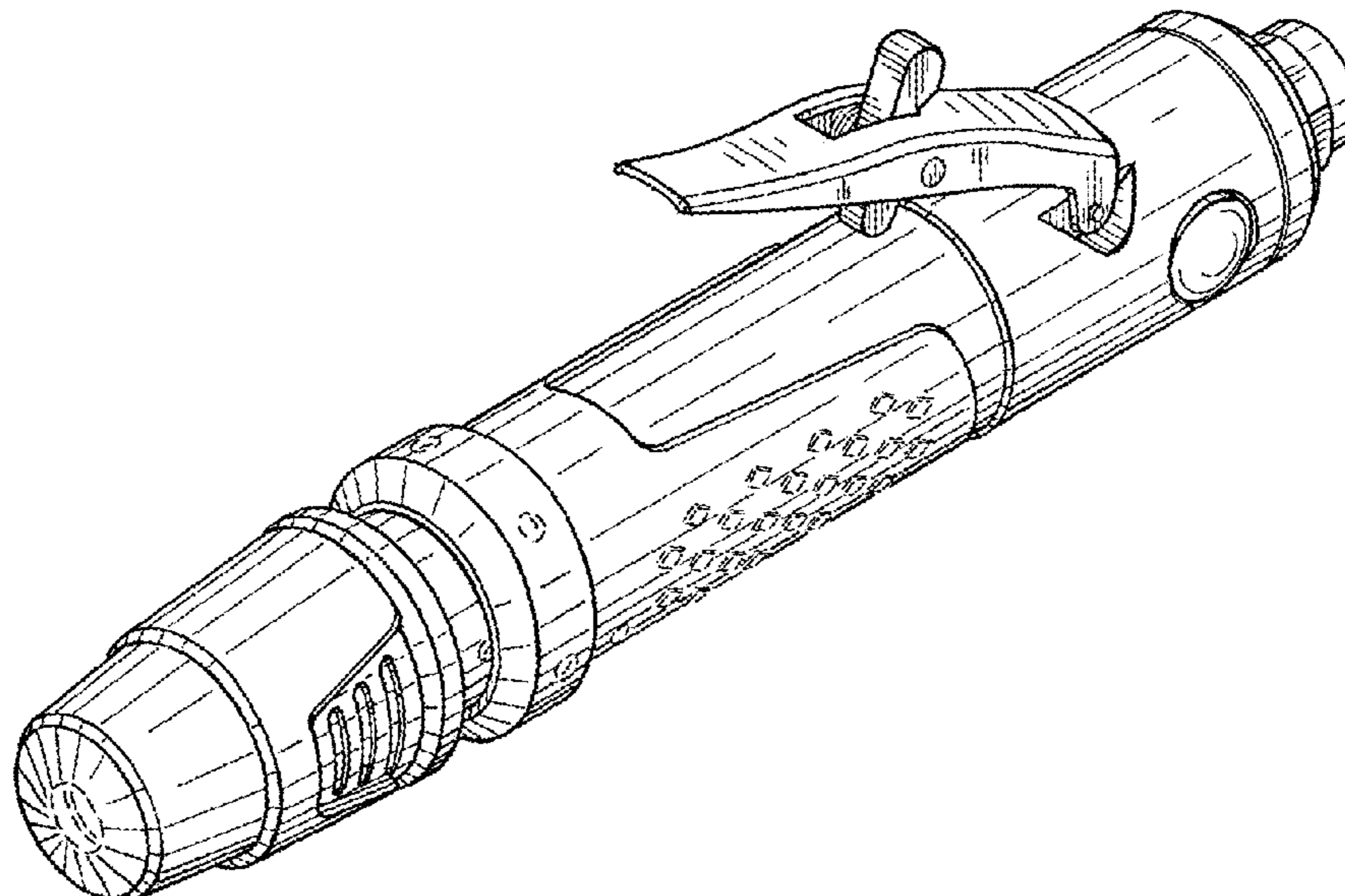
(57) **CLAIM**

The ornamental design for a power tool, as shown and described.

DESCRIPTION

The entire contents of U.S. application Ser. No. 29/731,640, filed on Apr. 16, 2020, are incorporated herein by reference. FIG. 1 is a front, top, right side perspective view of a power tool showing our new design; FIG. 2 is a left side elevational view thereof; FIG. 3 is a right side elevational view thereof; FIG. 4 is a top plan view thereof; FIG. 5 is a bottom plan view thereof; FIG. 6 is a rear elevational view thereof; FIG. 7 is a front elevational view thereof; and, FIG. 8 is a rear, top, left side perspective view thereof. The broken lines showings in the drawings are for illustrative purposes only and form no part of the claimed design.

1 Claim, 5 Drawing Sheets



(56)

References Cited

U.S. PATENT DOCUMENTS

D590,679	S *	4/2009	Enriquez	D8/61
7,673,702	B2	3/2010	Johnson et al.	
7,818,858	B2	10/2010	Daniels et al.	
D664,413	S	7/2012	Steinfels	
D682,647	S *	5/2013	Yaschur	D8/61
D682,648	S *	5/2013	Yaschur	D8/61
8,443,512	B2	5/2013	Masugata	
D696,091	S *	12/2013	Yaschur	D8/61
D696,092	S *	12/2013	Yaschur	D8/61
D716,125	S	10/2014	Yaschur	
D775,919	S	1/2017	Lee	
D833,846	S	11/2018	Mori	
D839,708	S	2/2019	Croghan	
D879,575	S *	3/2020	Liu	D8/61
D887,239	S *	6/2020	Nystrom	D8/61
D899,208	S	10/2020	Thompson	
D899,209	S	10/2020	Thompson	
D899,210	S	10/2020	Thompson	

D906,076	S	12/2020	James	
D913,066	S *	3/2021	Wang	D8/61
2006/0096767	A1 *	5/2006	Miller	B25B 21/00 173/2
2010/0139432	A1 *	6/2010	Steckel	B25B 23/1425 74/412 TA

OTHER PUBLICATIONS

Design U.S. Appl. No. 29/731,632; First Named Inventor: Francisco Lindoro; filed Apr. 16, 2020; Title: "Power Tool".

Design U.S. Appl. No. 29/731,640; First Named Inventor: Apurba Pawar; filed Apr. 16, 2020 Title: "Power Tool".

Notice of Allowance dated Jun. 30, 2021 issued in related U.S. Appl. No. 29/731,640.

Notice of Allowance dated Jul. 26, 2021 issued in related U.S. Appl. No. 29/731,625.

Notice of Allowance dated Jul. 26, 2021 issued in related U.S. Appl. No. 29/731,632.

* cited by examiner

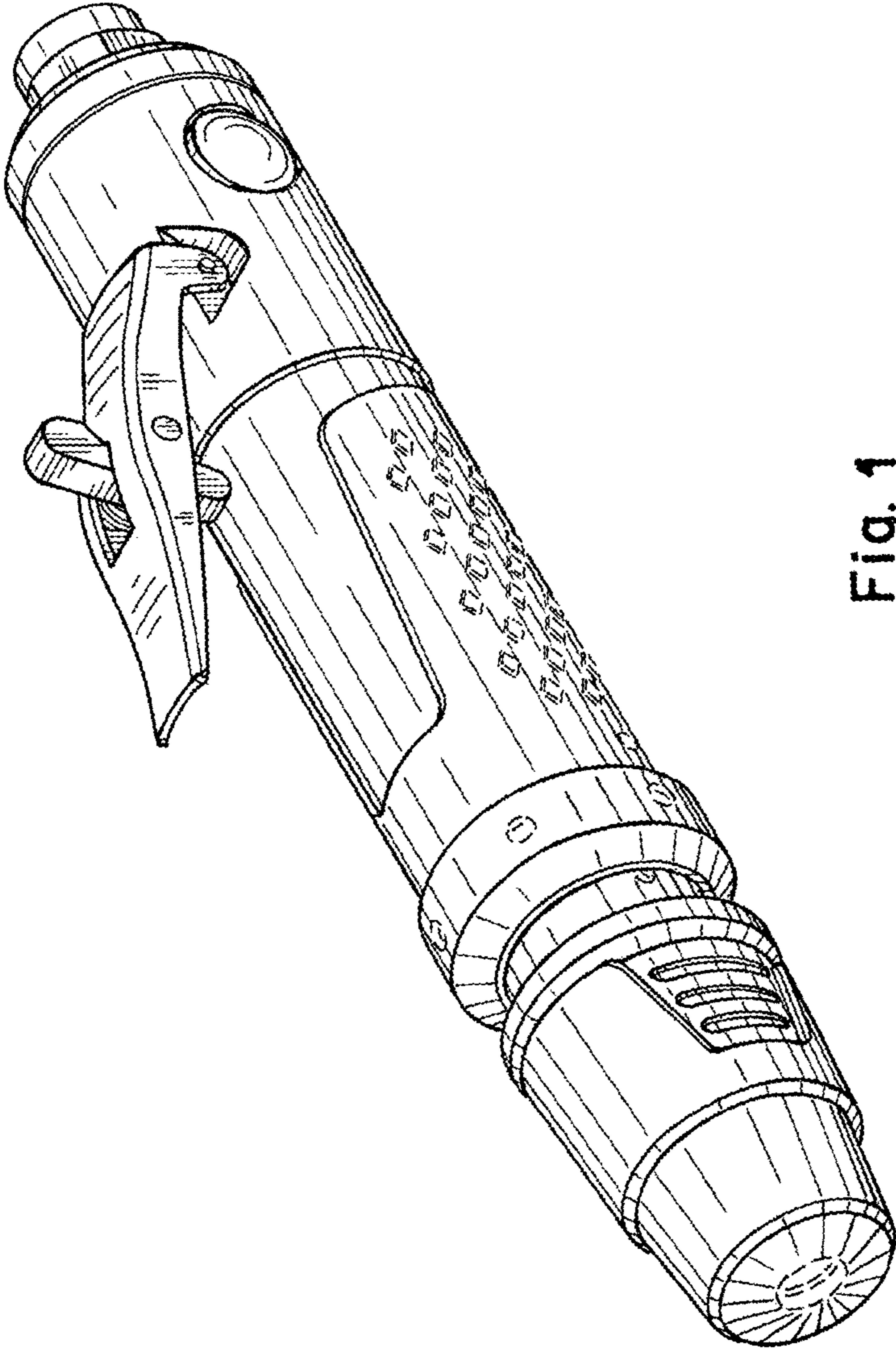


Fig. 1

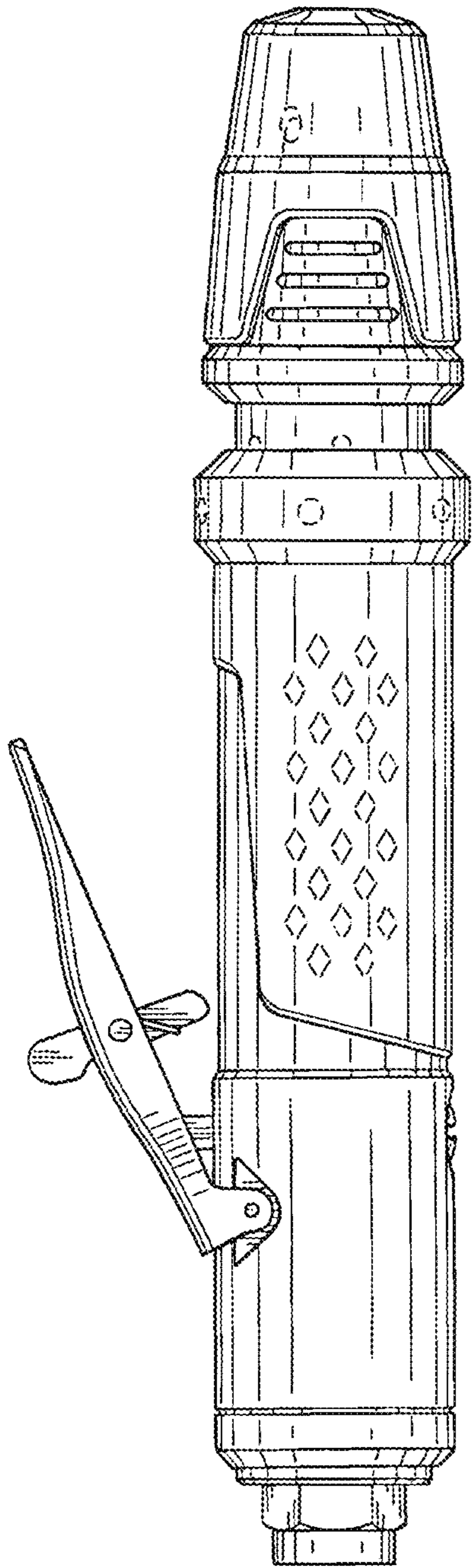


Fig. 2

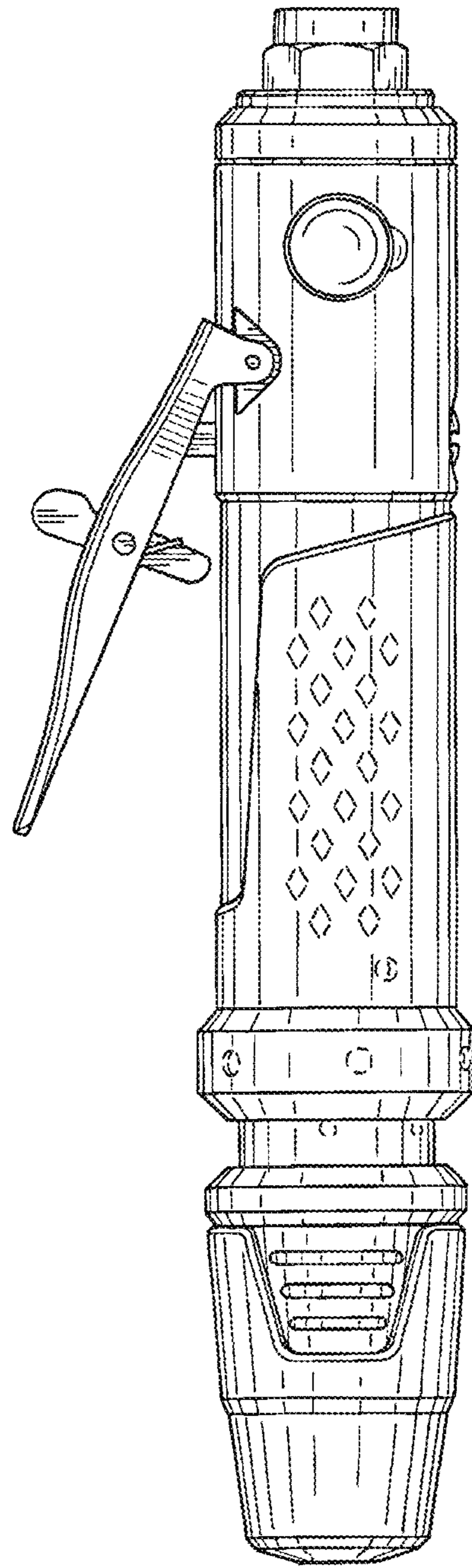


Fig. 3

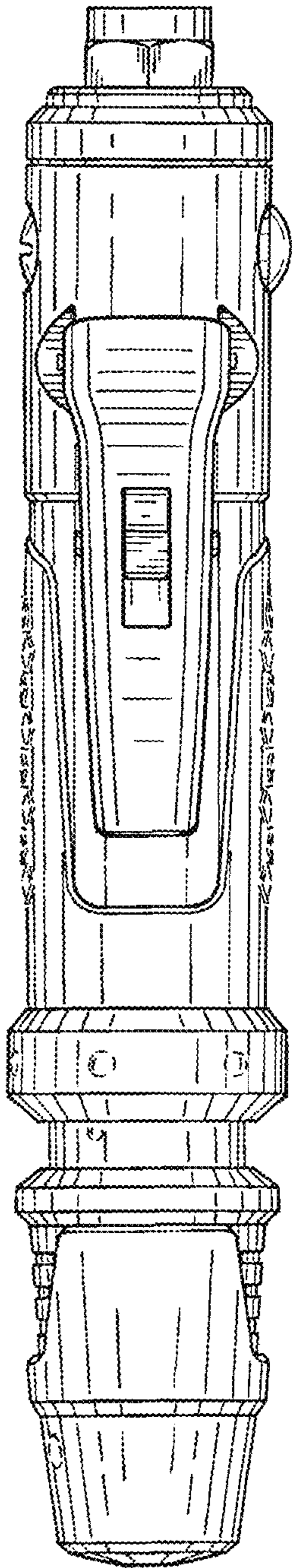


Fig. 4

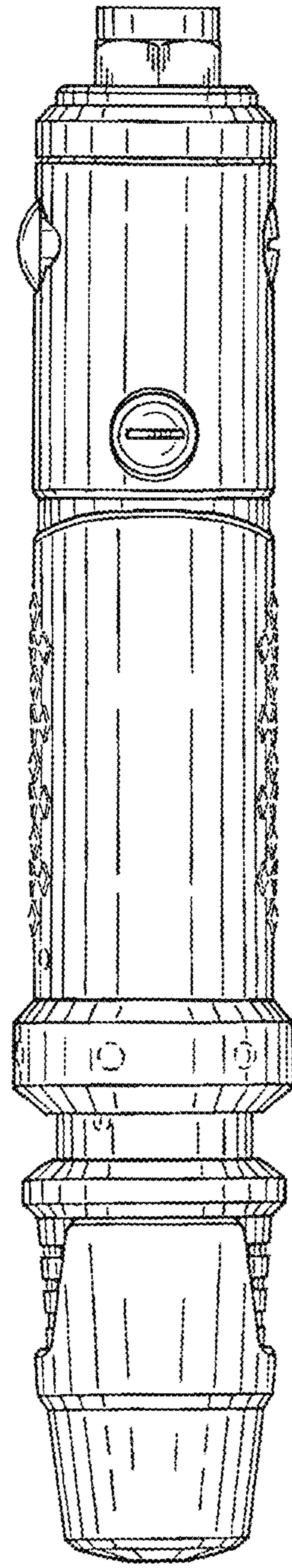


Fig. 5

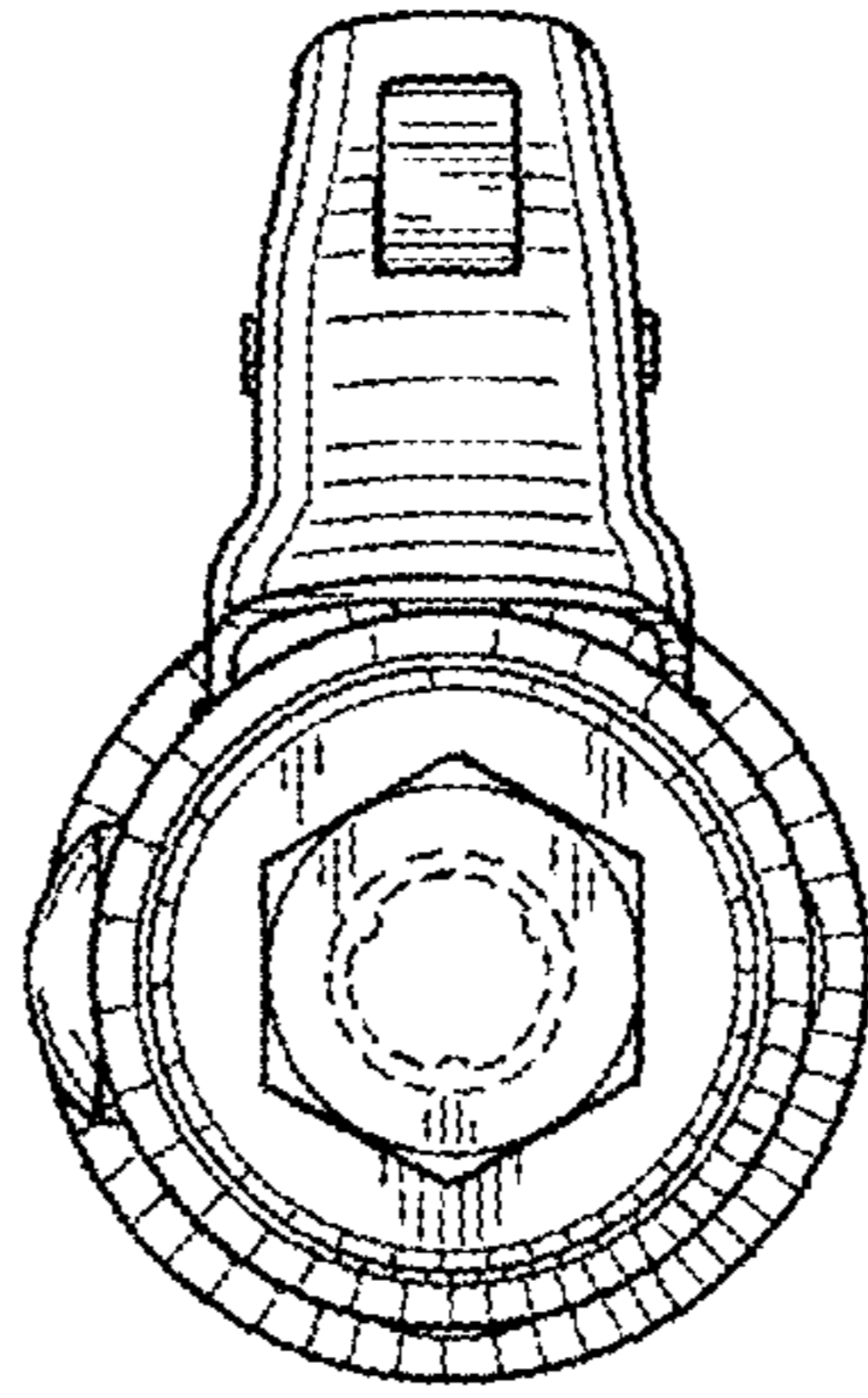


Fig. 6

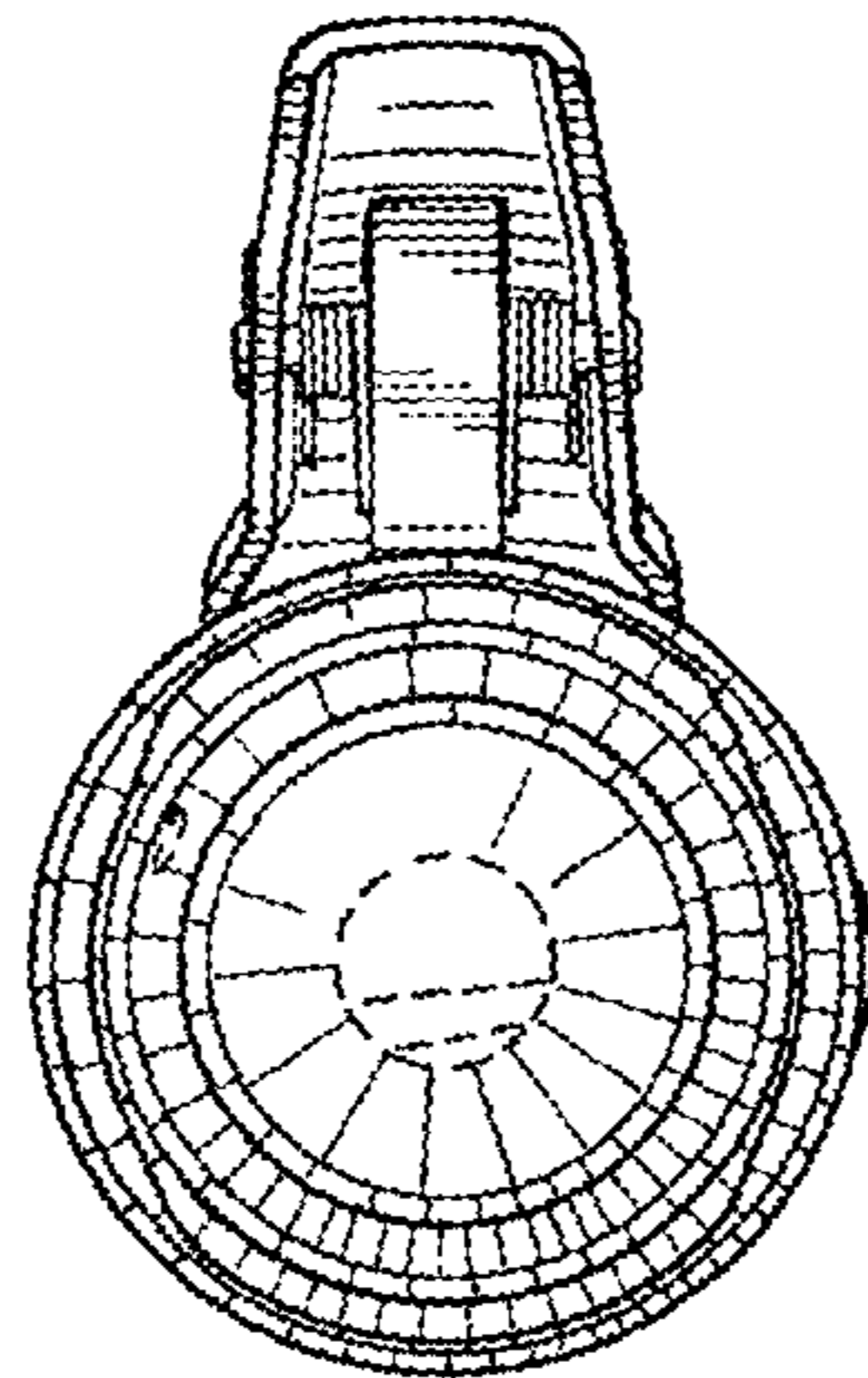


Fig. 7

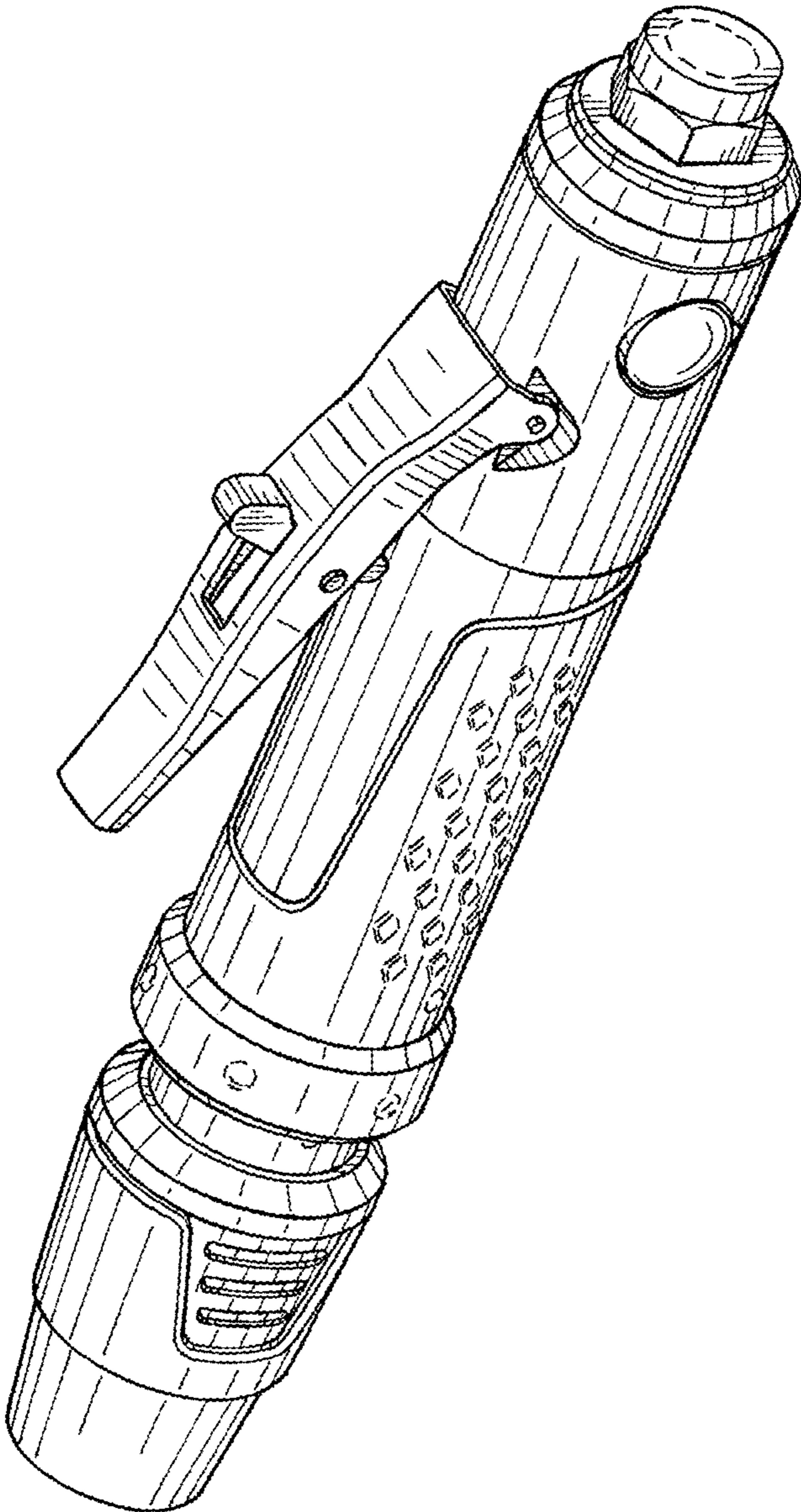


Fig. 8