



US00D931699S

(12) **United States Design Patent** (10) **Patent No.:** **US D931,699 S**  
**Chiang** (45) **Date of Patent:** **\*\* Sep. 28, 2021**

(54) **CRIMPING BASE**

(71) Applicant: **Hanlong Industrial Co., Ltd.**, New Taipei (TW)

(72) Inventor: **Wan-Yu Chiang**, New Taipei (TW)

(73) Assignee: **Hanlong Industrial Co., Ltd.**, New Taipei (TW)

(\*\*) Term: **15 Years**

(21) Appl. No.: **29/715,689**

(22) Filed: **Dec. 4, 2019**

(51) **LOC (13) Cl.** ..... **08-05**

(52) **U.S. Cl.**  
USPC ..... **D8/52**

(58) **Field of Classification Search**  
USPC ..... D8/52, 54, 55, 56, 58, 70  
CPC .... H01R 43/042; H01R 43/0421; B25B 7/16;  
B25B 27/146

See application file for complete search history.

D693,198 S \* 11/2013 Hutchfield ..... D8/51  
9,248,560 B2 \* 2/2016 Steiner ..... B25B 27/10  
9,327,391 B2 \* 5/2016 Steiner ..... B25B 27/10  
D759,452 S \* 6/2016 Persson ..... D8/52  
9,701,004 B2 \* 7/2017 Hardinge ..... B25G 1/085  
D796,927 S \* 9/2017 Konnecke ..... D8/52  
D847,598 S \* 5/2019 Malcolm ..... D8/52  
10,439,351 B2 \* 10/2019 Frenken ..... B25B 7/16  
D901,272 S \* 11/2020 Liao ..... D8/52  
D906,074 S \* 12/2020 Glockseisen ..... D8/52  
D906,075 S \* 12/2020 Liao ..... D8/52  
2016/0136795 A1 \* 5/2016 Hofmann ..... B25B 27/10  
29/243.519  
2019/0319417 A1 \* 10/2019 Glockseisen ..... B25B 7/16

\* cited by examiner

*Primary Examiner* — Darlington Ly  
(74) *Attorney, Agent, or Firm* — Alan D. Kamrath; Karin L. Williams; Mayer & Williams PC

(57) **CLAIM**

The ornamental design for a crimping base, as shown and described.

**DESCRIPTION**

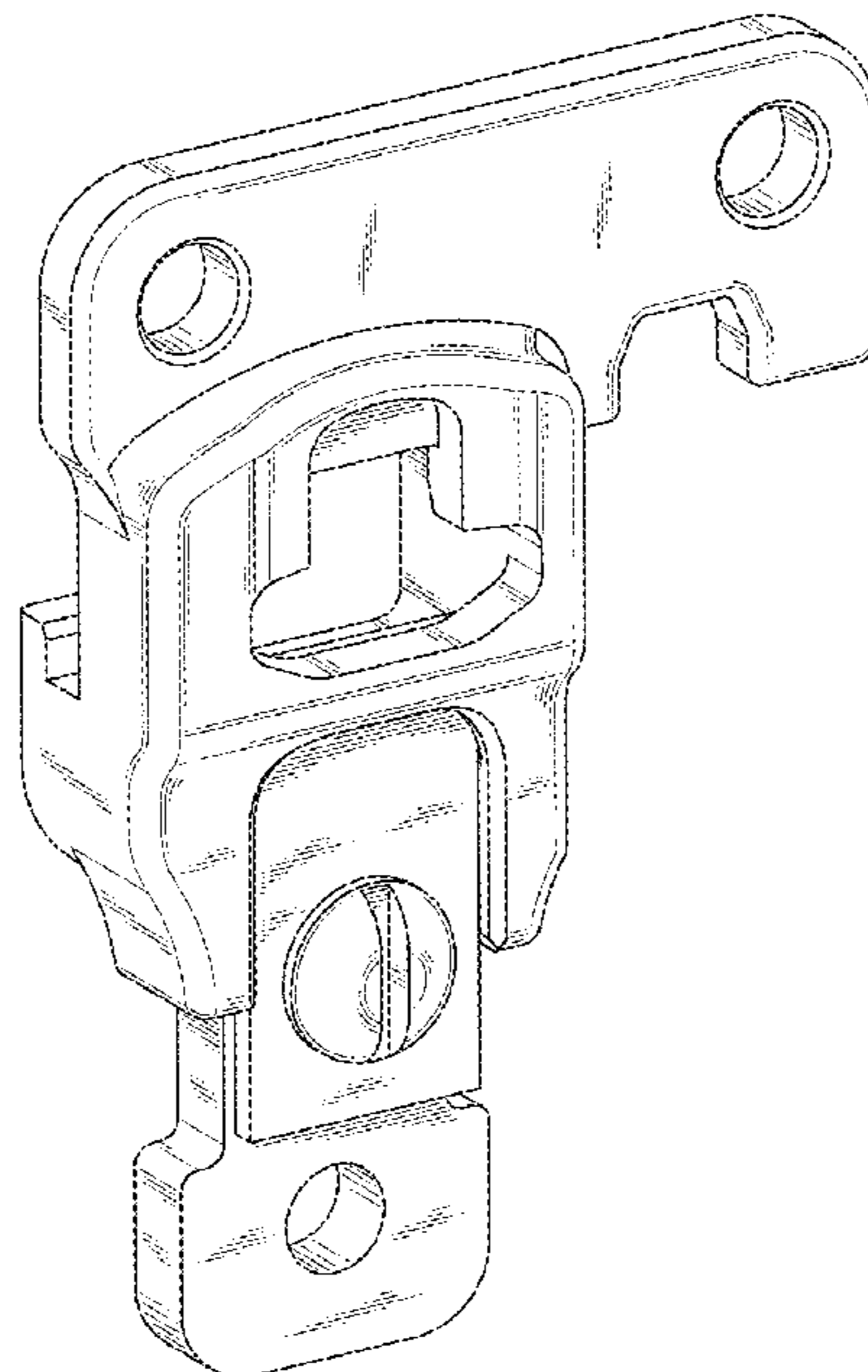
FIG. 1 is a perspective view of a crimping base embodying my new design;  
FIG. 2 is a front elevation view thereof;  
FIG. 3 is a rear elevation view thereof;  
FIG. 4 is a left side elevation view thereof;  
FIG. 5 is a right side elevation view thereof;  
FIG. 6 is a top plan view thereof;  
FIG. 7 is a bottom plan view thereof; and,  
FIG. 8 is a perspective view thereof, as used in a crimping tool.

The broken showing of a crimping tool is provided for the purpose of illustrating environmental structure and forms no part of the claimed design.

**1 Claim, 7 Drawing Sheets**

(56) **References Cited**  
U.S. PATENT DOCUMENTS

D284,734 S \* 7/1986 Kurylo ..... D8/32  
5,195,353 A \* 3/1993 Erbrick ..... B25B 27/146  
29/751  
6,637,060 B2 \* 10/2003 Lu ..... H01R 43/042  
7/107  
7,000,448 B2 \* 2/2006 Hamm ..... B25B 27/10  
72/409.01  
7,628,052 B2 \* 12/2009 Zhang ..... B25B 27/146  
72/409.16  
D628,036 S \* 11/2010 Steiner ..... D8/52  
8,296,956 B2 \* 10/2012 Battenfeld ..... H02G 1/1221  
30/90.1  
D693,196 S \* 11/2013 Hutchfield ..... D8/51  
D693,197 S \* 11/2013 Hutchfield ..... D8/51



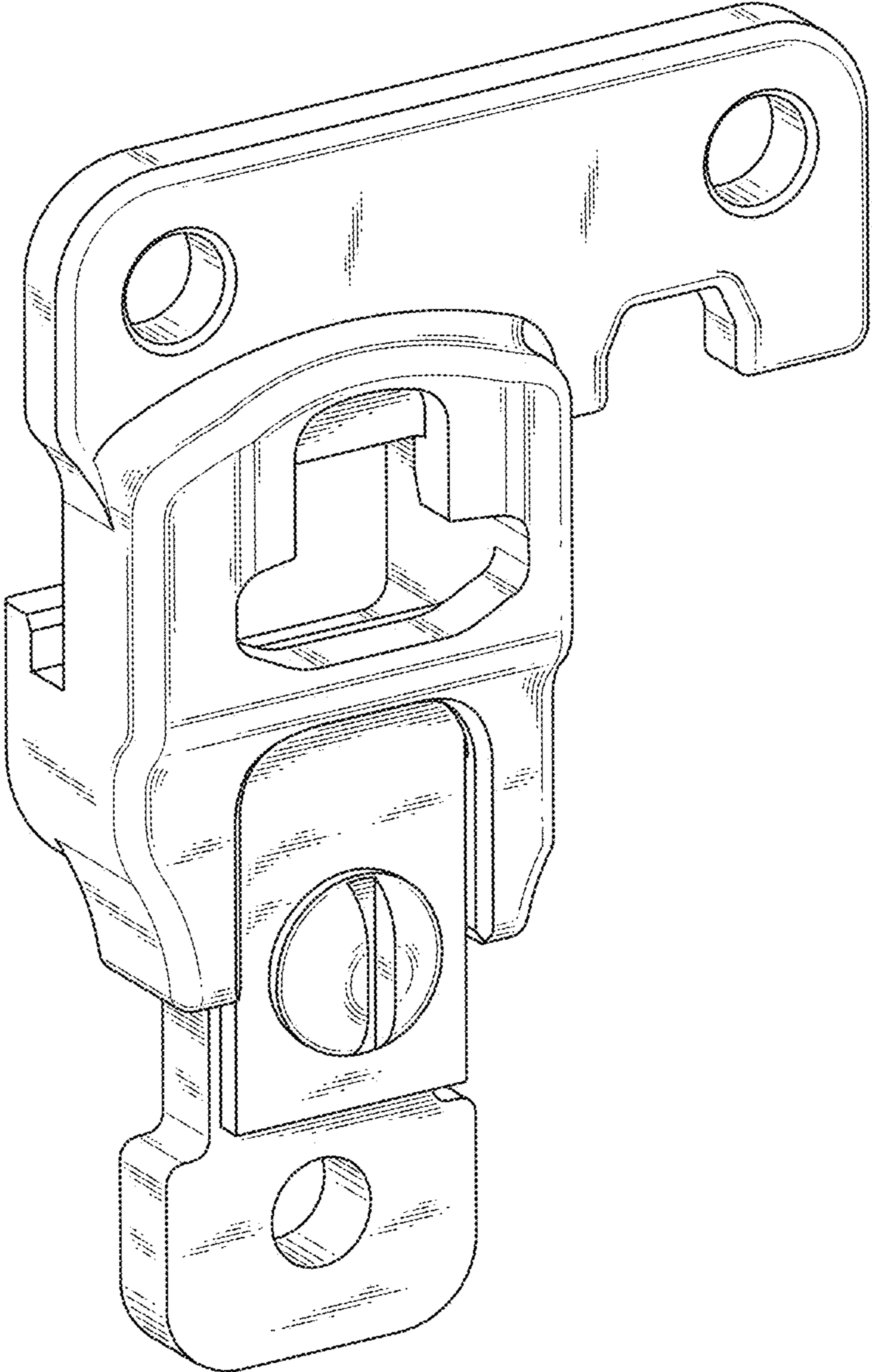


FIG. 1

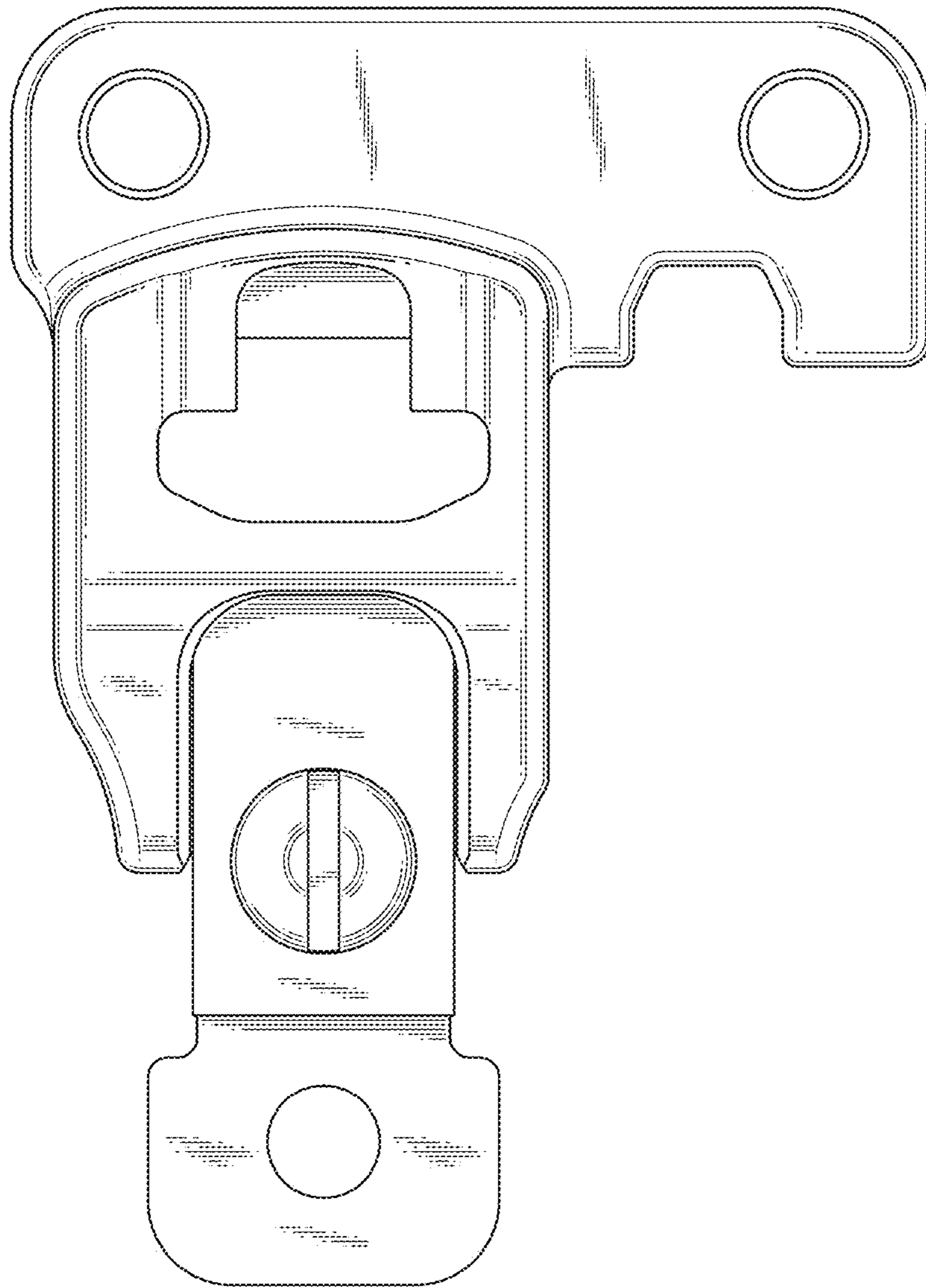


FIG. 2

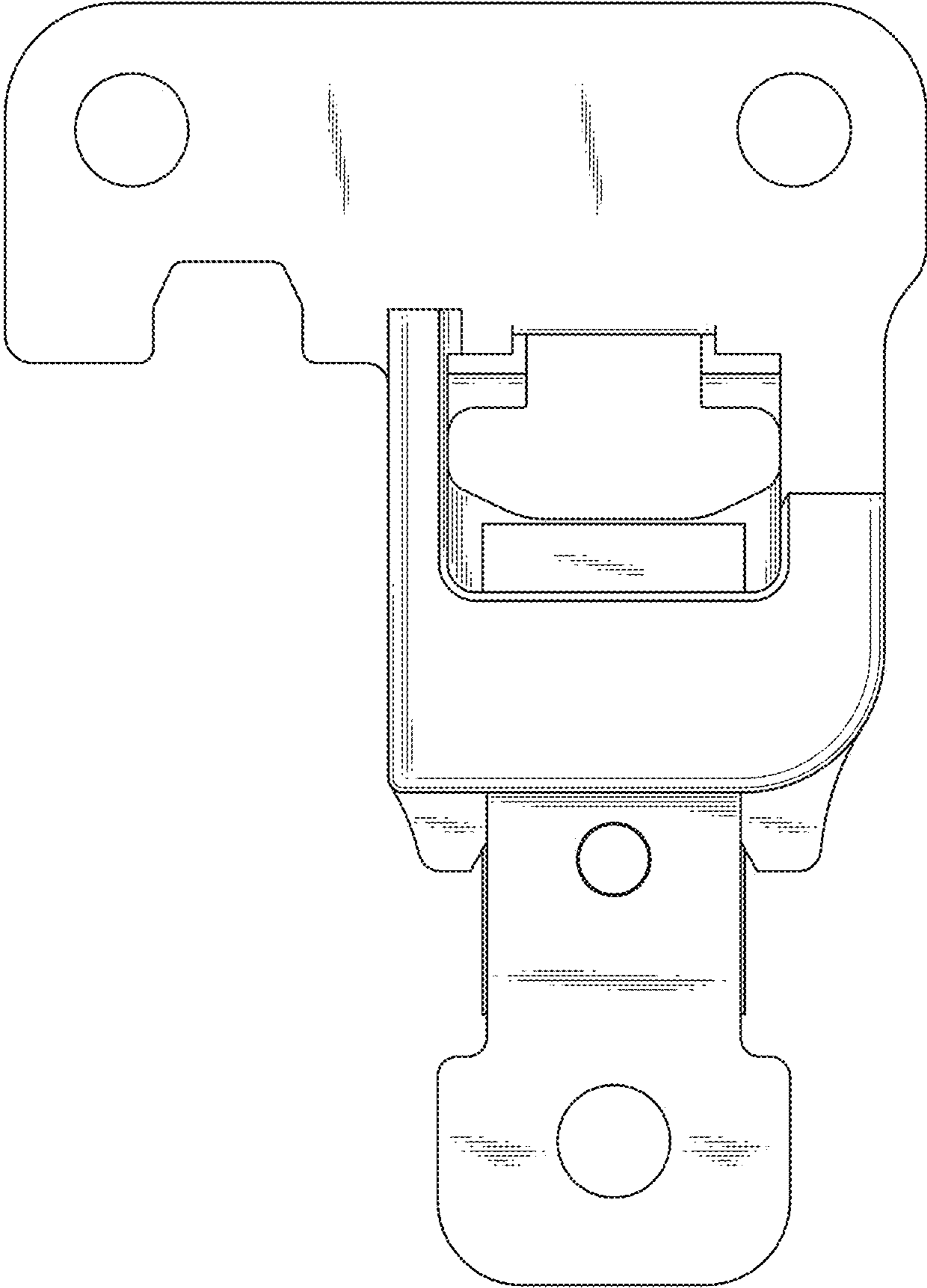


FIG. 3

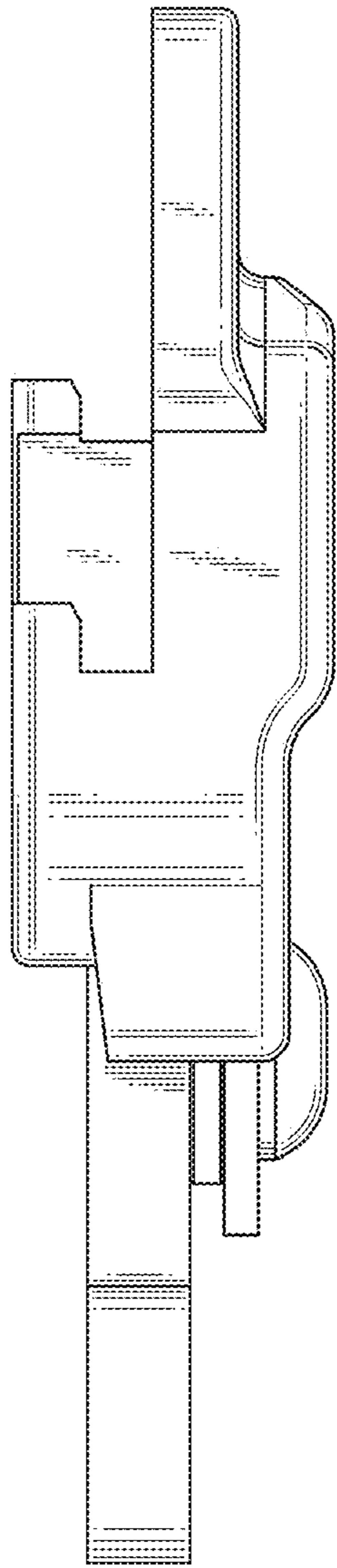


FIG. 4

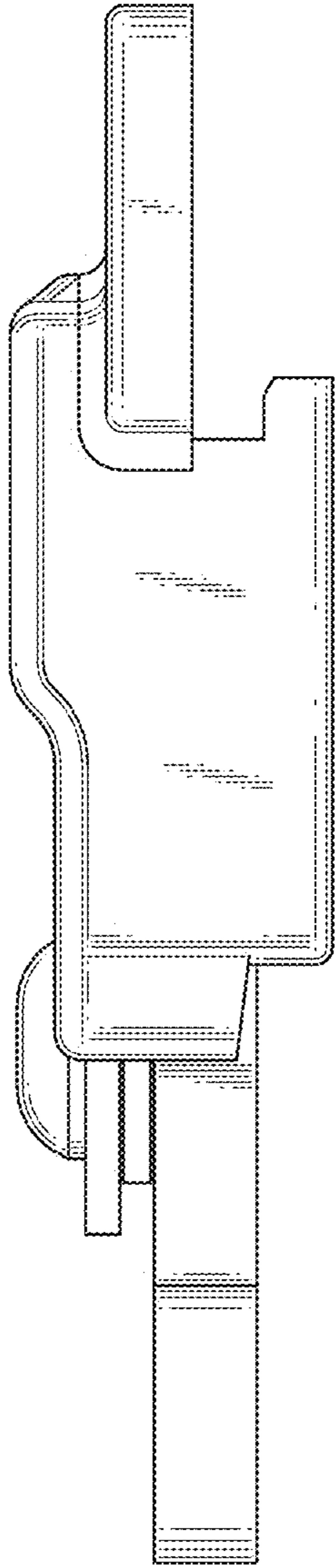


FIG. 5

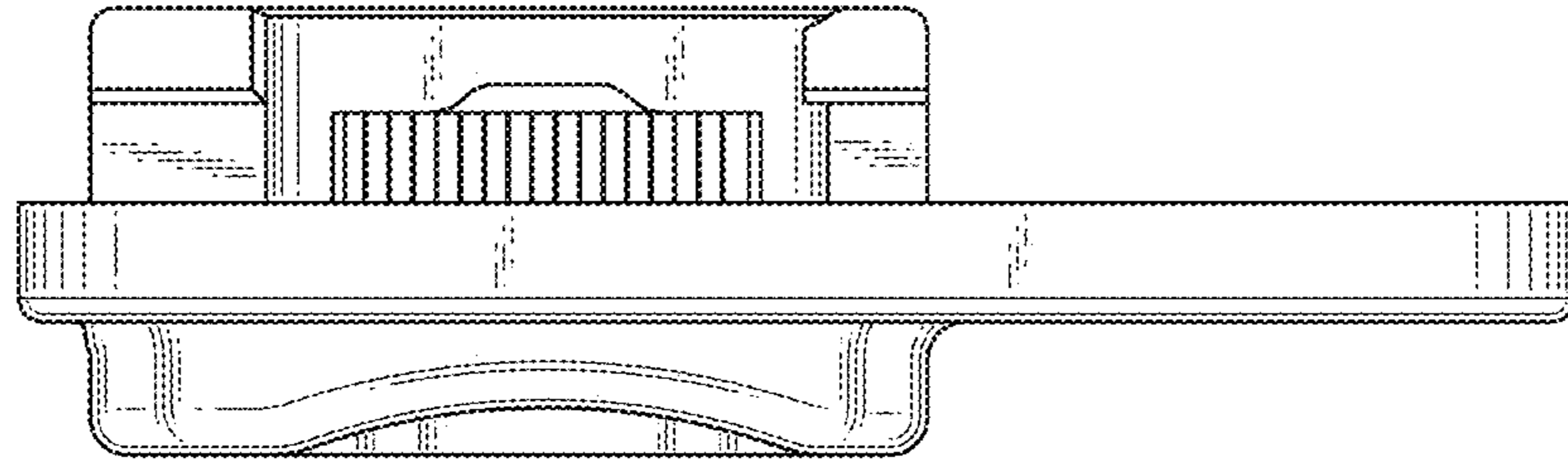


FIG. 6

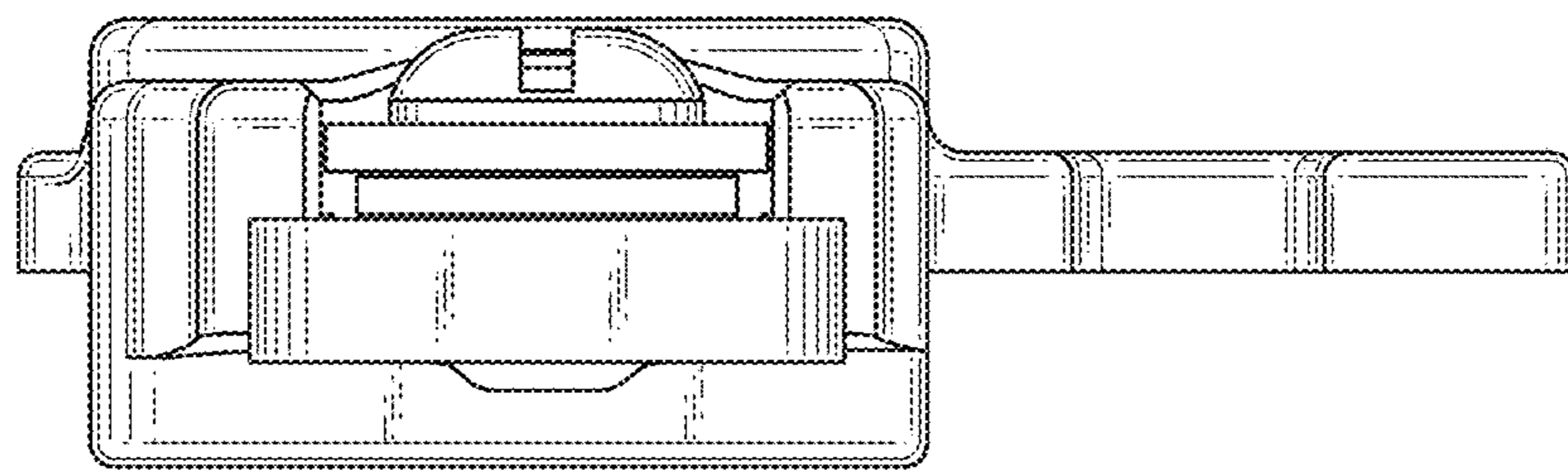


FIG. 7

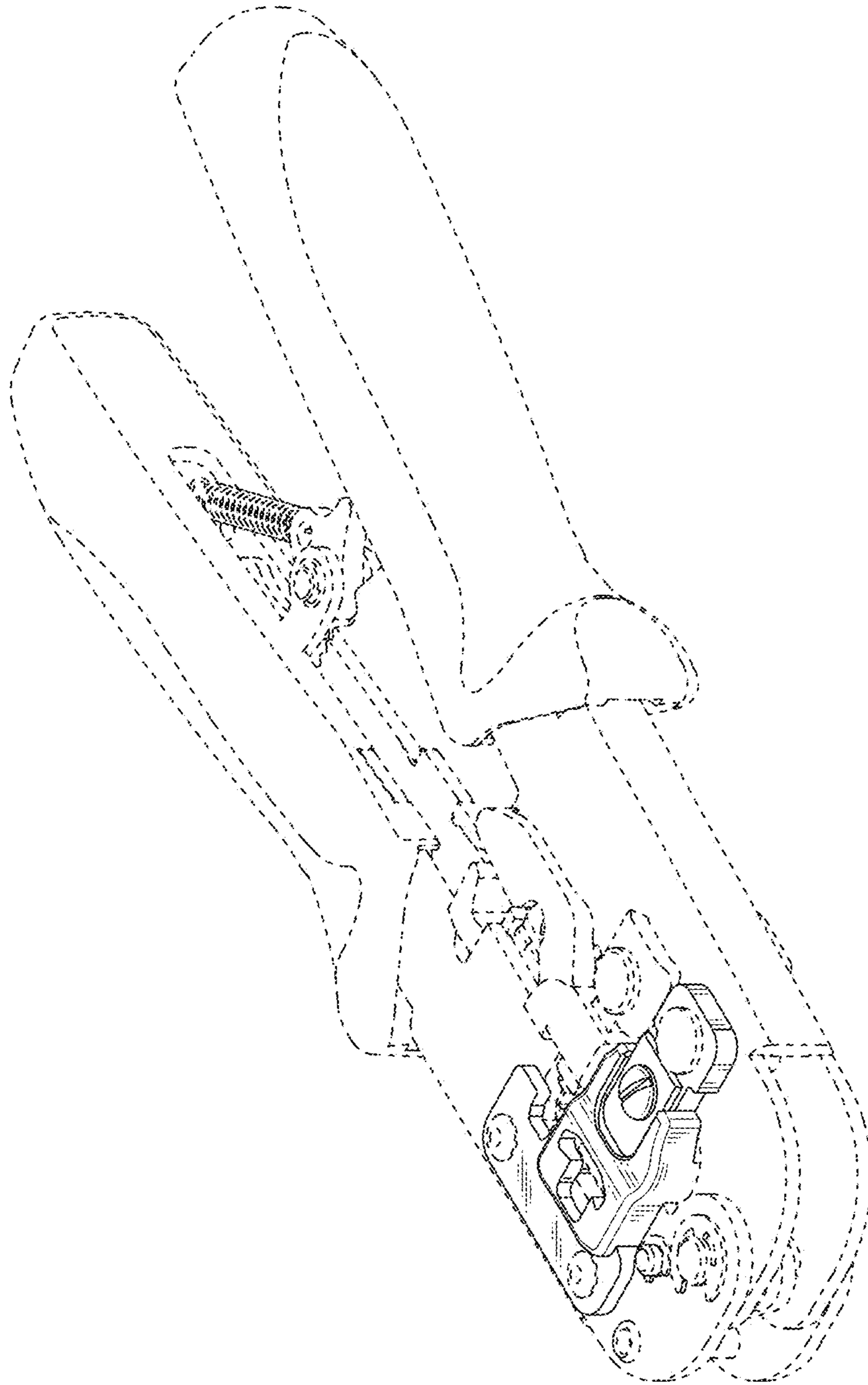


FIG. 8