



US00D931692S

(12) **United States Design Patent** (10) **Patent No.:** **US D931,692 S**  
**Lu** (45) **Date of Patent:** **\*\* Sep. 28, 2021**

(54) **FOOD GRATER**

D632,139 S \* 2/2011 Repac ..... D7/673  
D708,917 S \* 7/2014 Wong ..... D7/672  
D776,495 S \* 1/2017 Repac ..... D7/672  
D776,989 S \* 1/2017 Wong ..... D7/678

(71) Applicant: **Zhejiang Fullstar Houseware Co., Ltd.**, Taizhou (CN)

(72) Inventor: **Congqiang Lu**, Taizhou (CN)

(\*\*) Term: **15 Years**

(21) Appl. No.: **29/740,530**

(22) Filed: **Jul. 6, 2020**

(30) **Foreign Application Priority Data**

Feb. 20, 2020 (CN) ..... 202030055879.6

(51) **LOC (13) Cl.** ..... **07-04**

(52) **U.S. Cl.**  
USPC ..... **D7/678; D7/673**

(58) **Field of Classification Search**  
USPC ..... D7/678, 672-675  
CPC ..... B26D 3/185; B26D 3/26; B26D 3/283;  
B26D 2003/285-288; A47J 43/25; A47J  
43/255; A47J 42/04; A47J 42/14; A47J  
42/34; A47J 42/40  
See application file for complete search history.

(56) **References Cited**

**U.S. PATENT DOCUMENTS**

D167,270 S \* 7/1952 Marcus ..... D7/678  
2,714,908 A \* 8/1955 Carmack ..... A47J 43/25  
241/95  
4,212,431 A \* 7/1980 Doyel ..... A47J 43/25  
241/100  
D354,886 S \* 1/1995 Diefenbach ..... D7/678  
5,745,999 A \* 5/1998 Zirkiev ..... A47J 43/25  
30/278  
D512,609 S \* 12/2005 Kaposi ..... D7/672  
D519,001 S \* 4/2006 So ..... D7/678

**FOREIGN PATENT DOCUMENTS**

DE 202013105877 U1 \* 1/2014 ..... B26D 7/0608

**OTHER PUBLICATIONS**

Amazon.com, Fullstar Mandoline Slicer Spiralizer Vegetable Slicer, pp. 1-8, date first available Aug. 26, 2019 (Year: 2019).\*  
Amazon.com, Progressive International Grate, Slice and Store Set, pp. 1-5, date first available May 1, 2019 (Year: 2019).\*

\* cited by examiner

*Primary Examiner* — Terry A Wallace

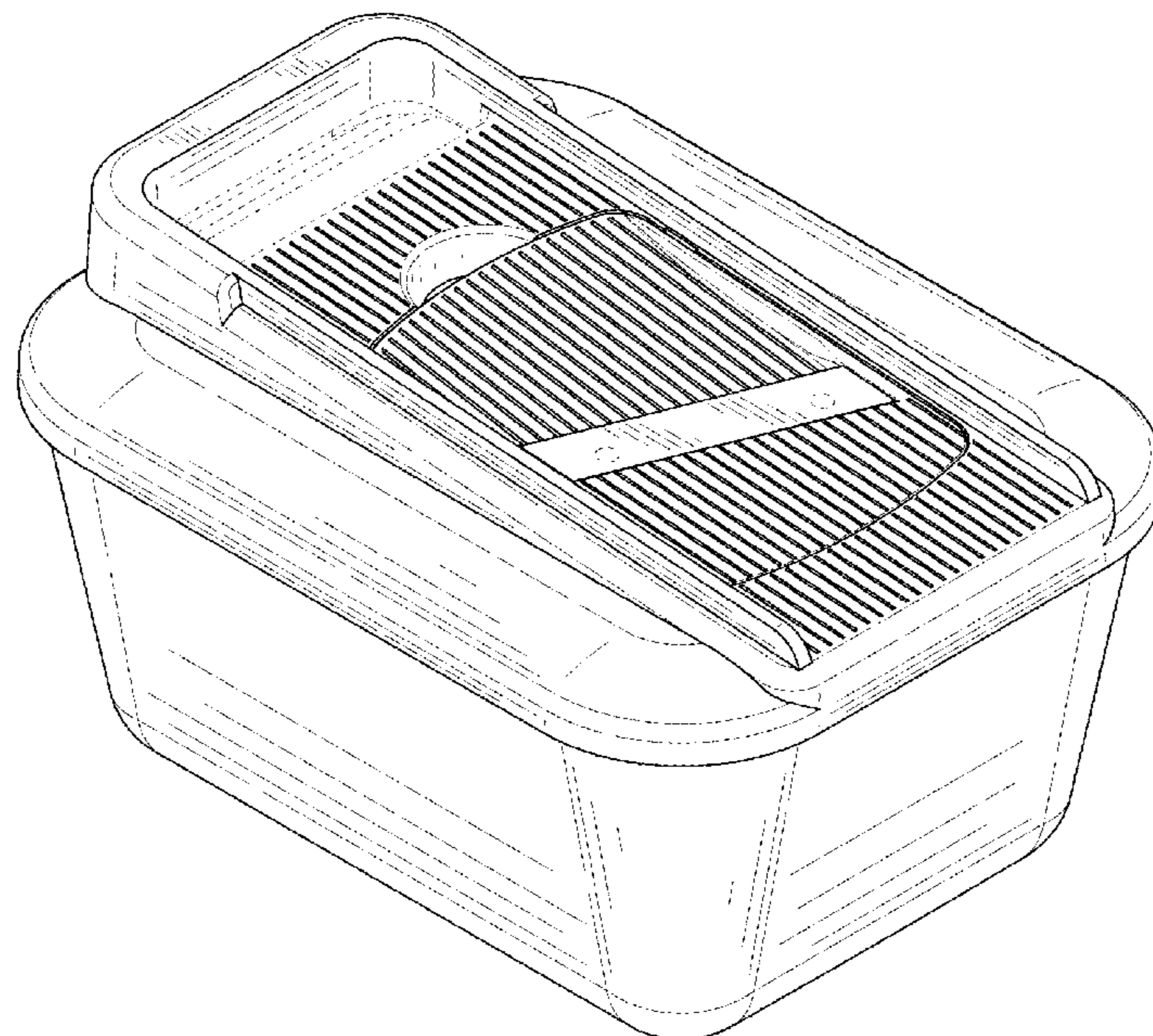
(57) **CLAIM**

The ornamental design for a food grater, as shown and described.

**DESCRIPTION**

FIG. 1 is a first perspective view of a food grater showing my new design;  
FIG. 2 is a second perspective view thereof;  
FIG. 3 is a front view thereof;  
FIG. 4 is a back view thereof;  
FIG. 5 is a left side view thereof;  
FIG. 6 is a right side view thereof;  
FIG. 7 is a top view thereof;  
FIG. 8 is a bottom view thereof; and,  
FIG. 9 is a perspective view of another state of the food grater thereof.  
The broken lines shown in the drawings depict portions of the food grater in which the design is embodied that form no part of the claimed design.

**1 Claim, 9 Drawing Sheets**



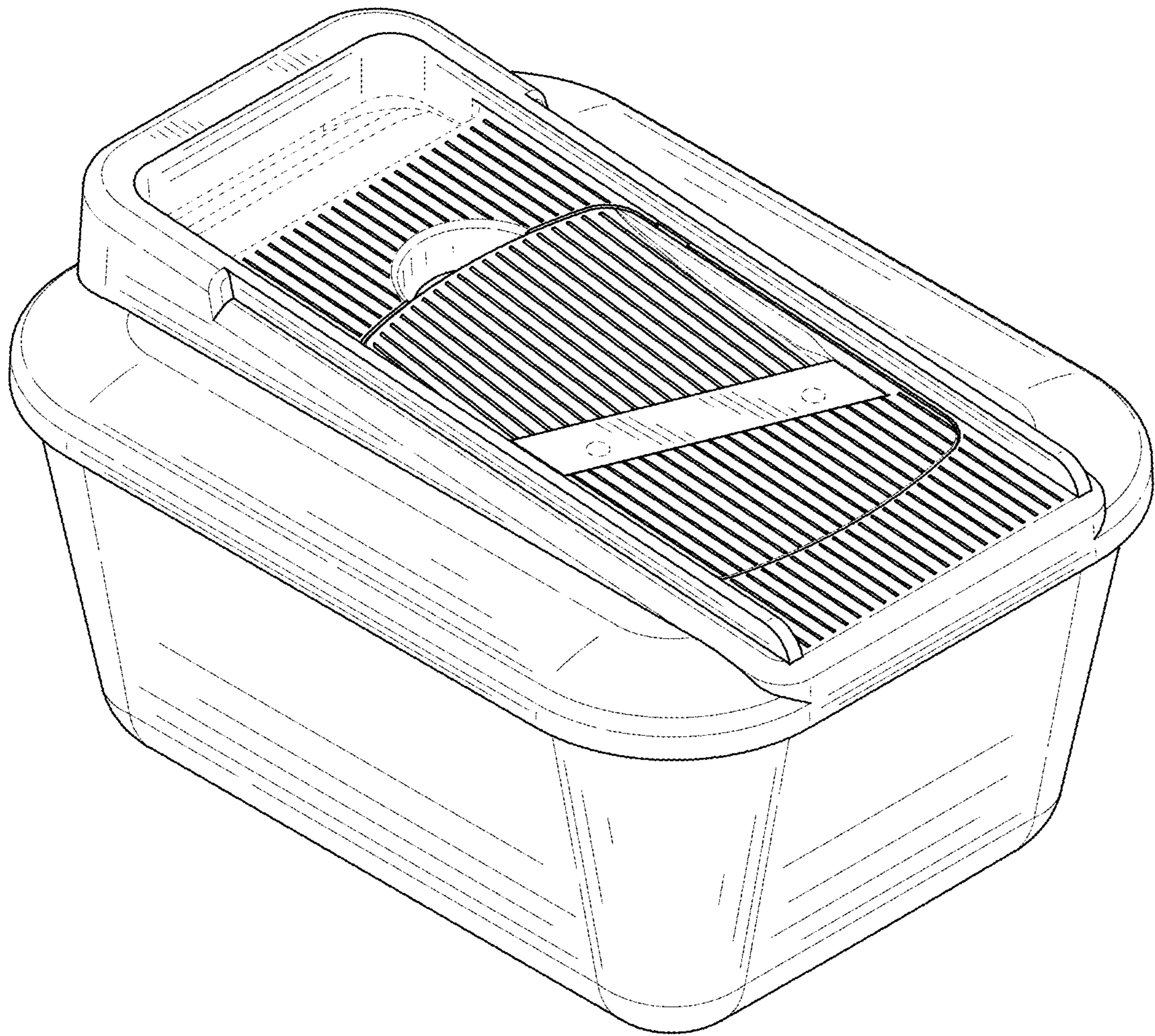


FIG. 1

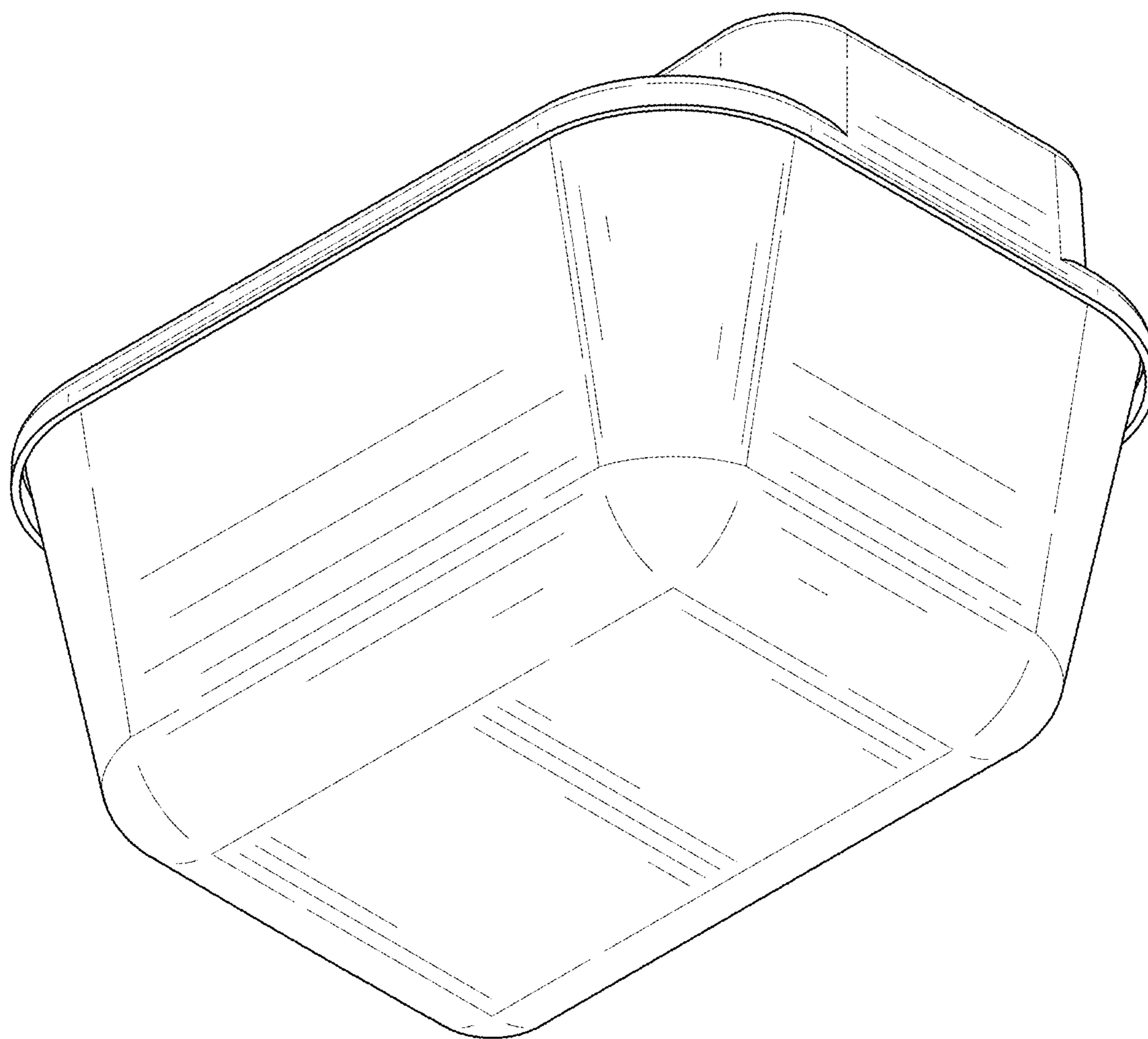


FIG. 2

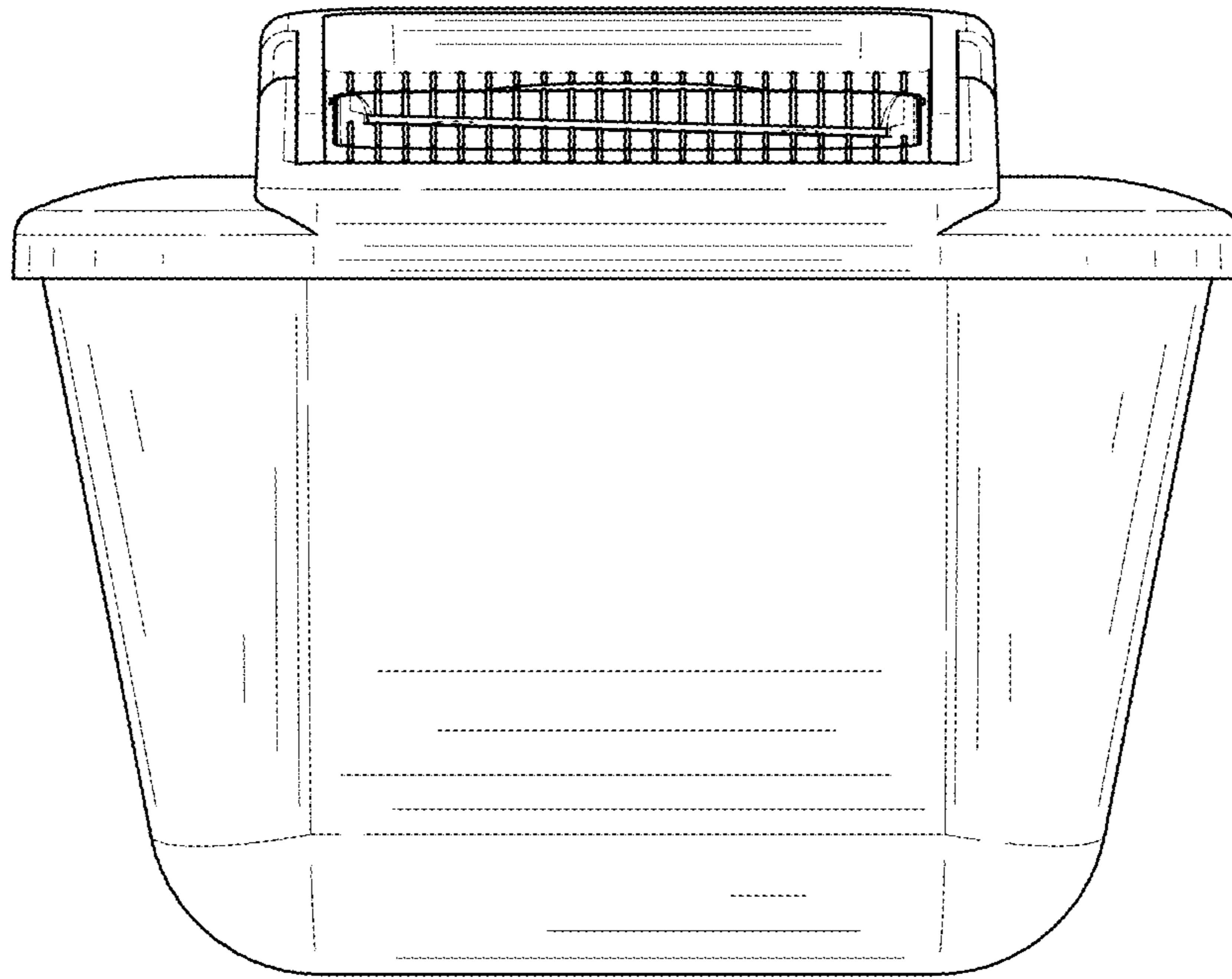


FIG. 3

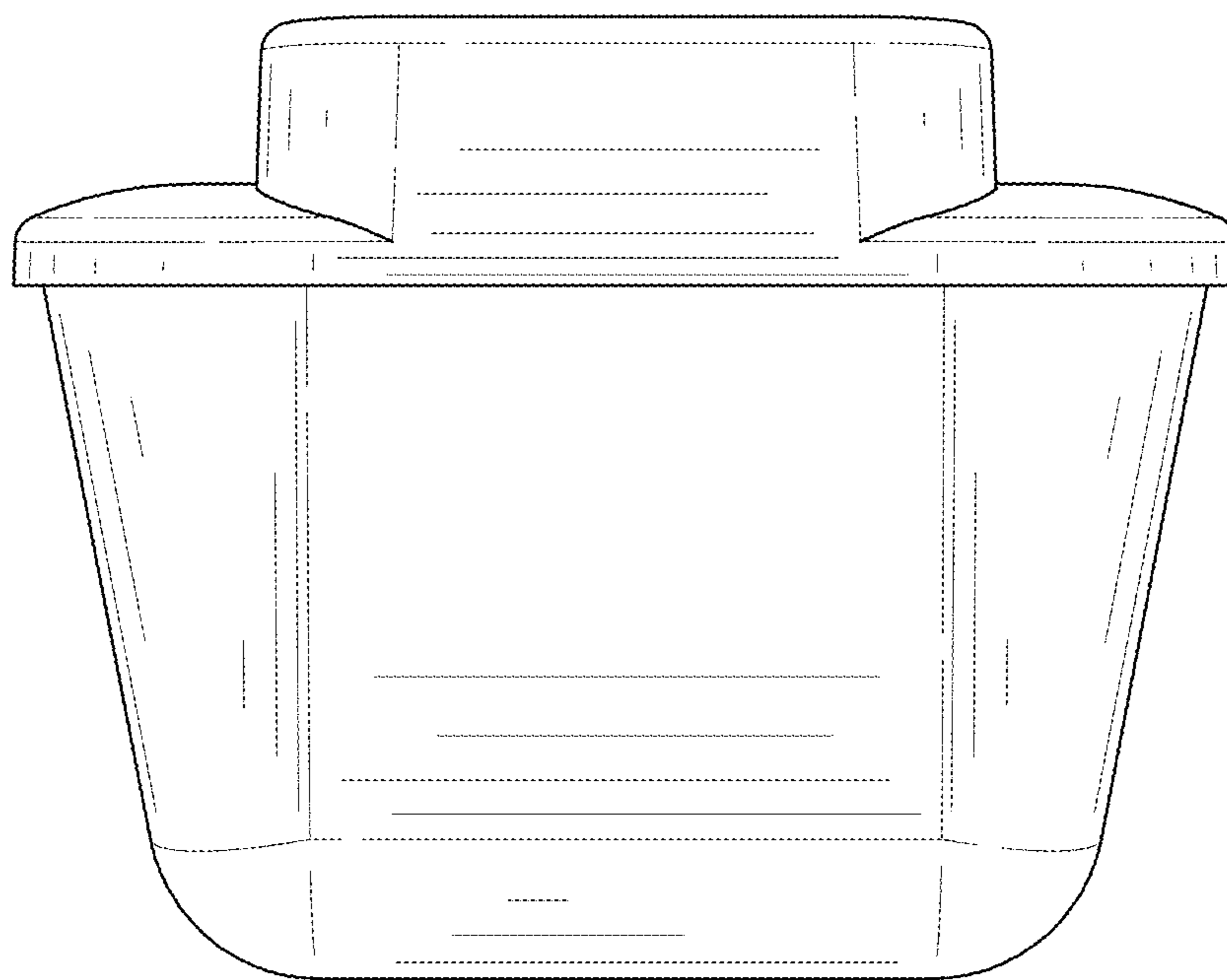


FIG. 4

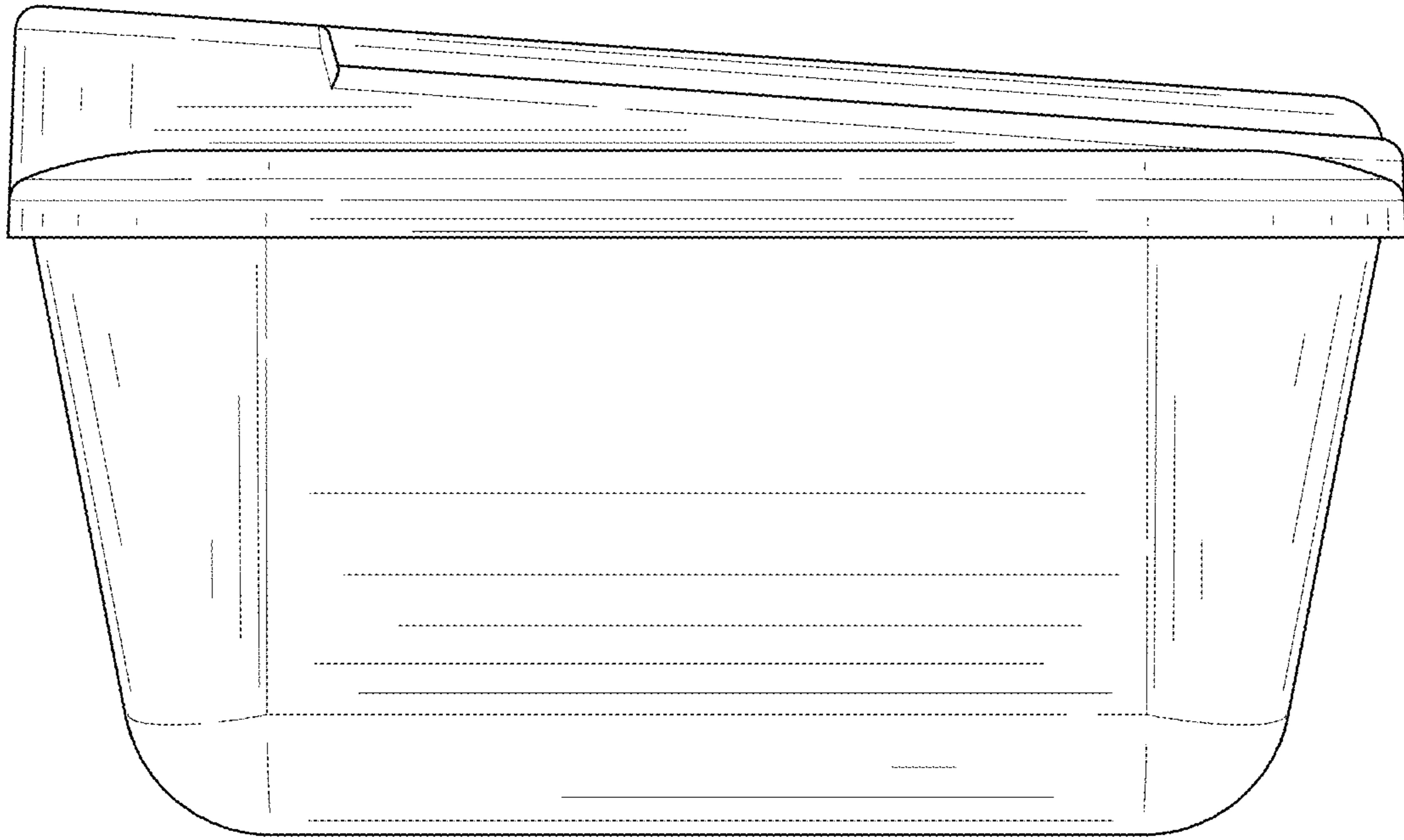


FIG. 5

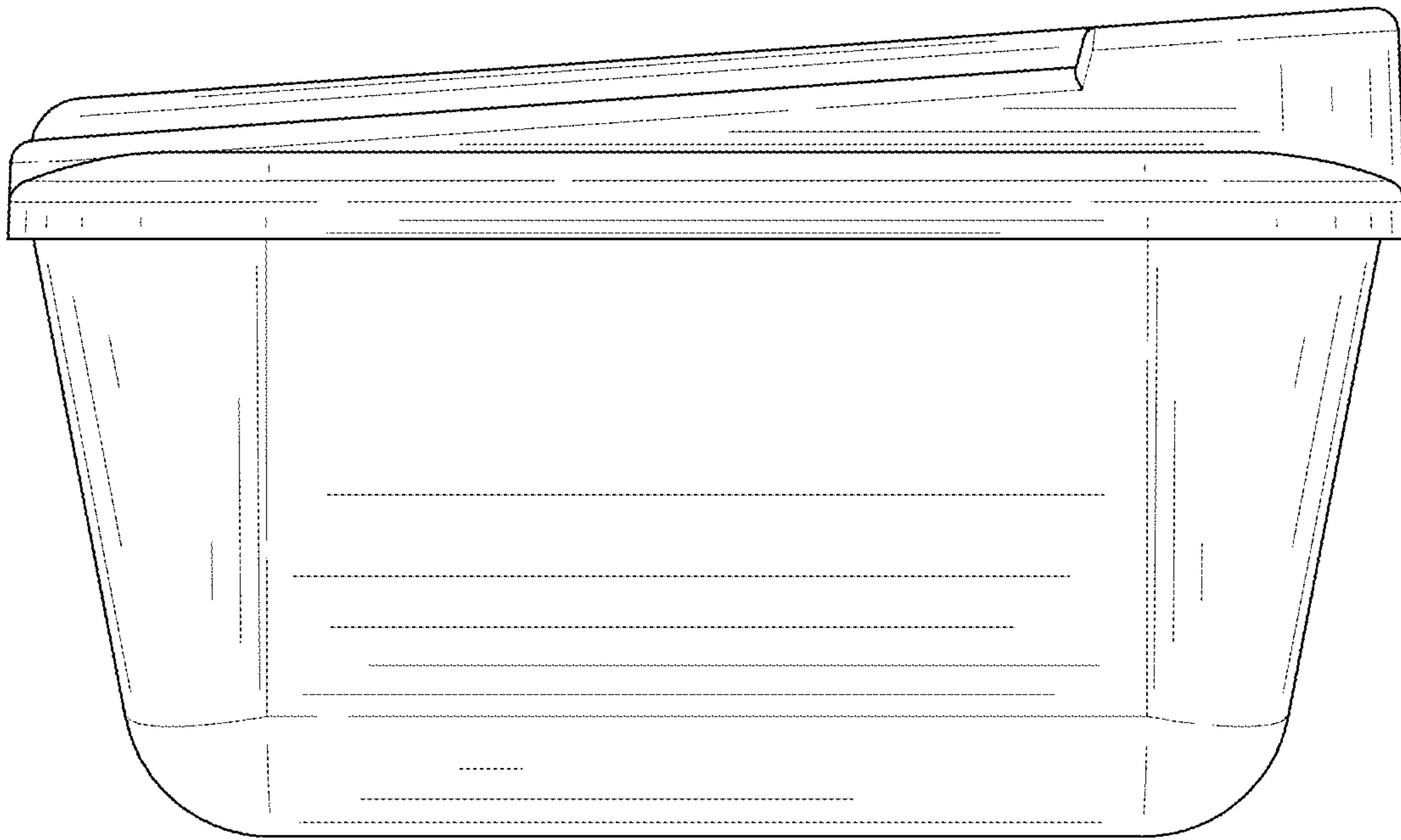


FIG. 6

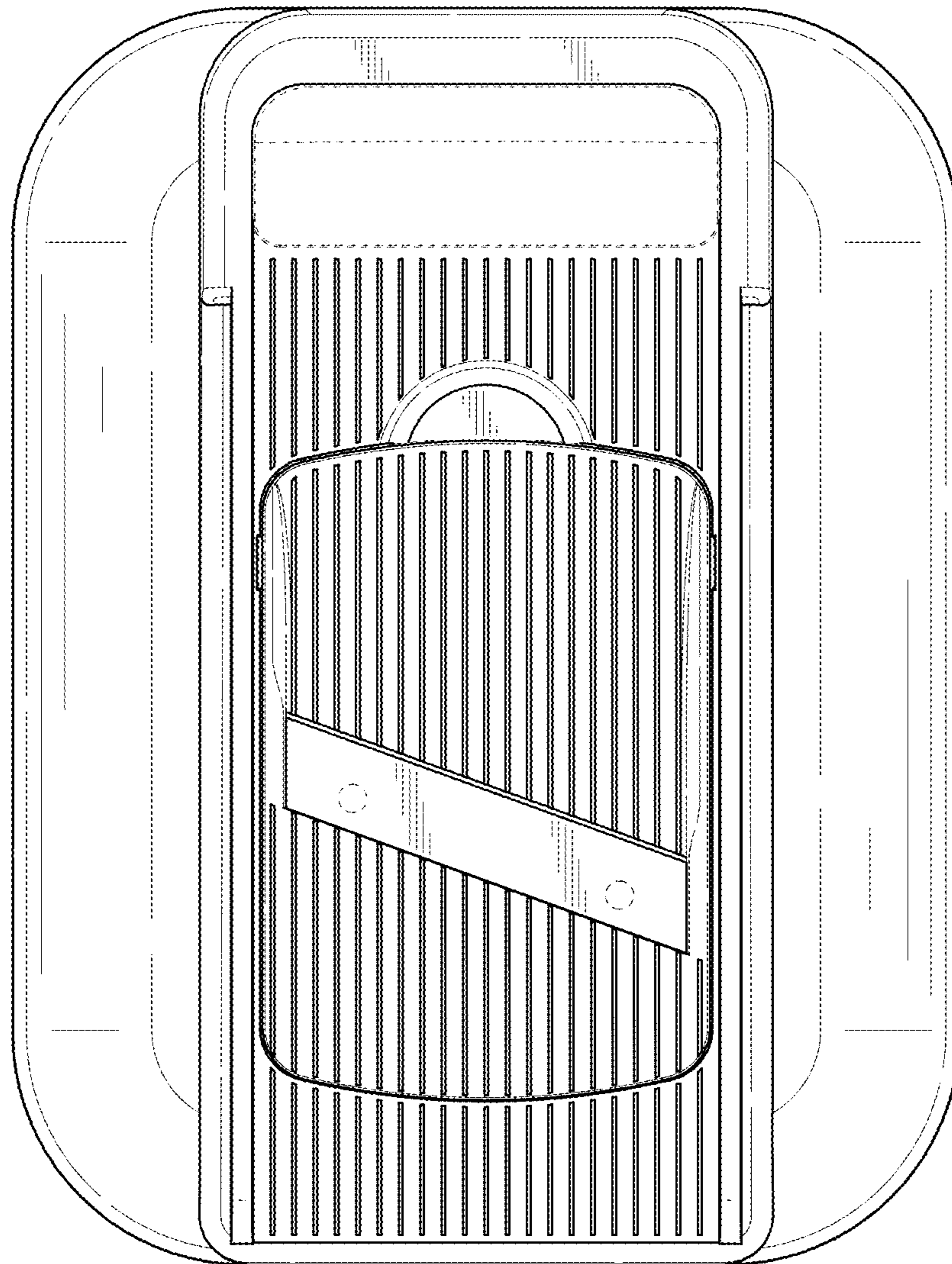


FIG. 7



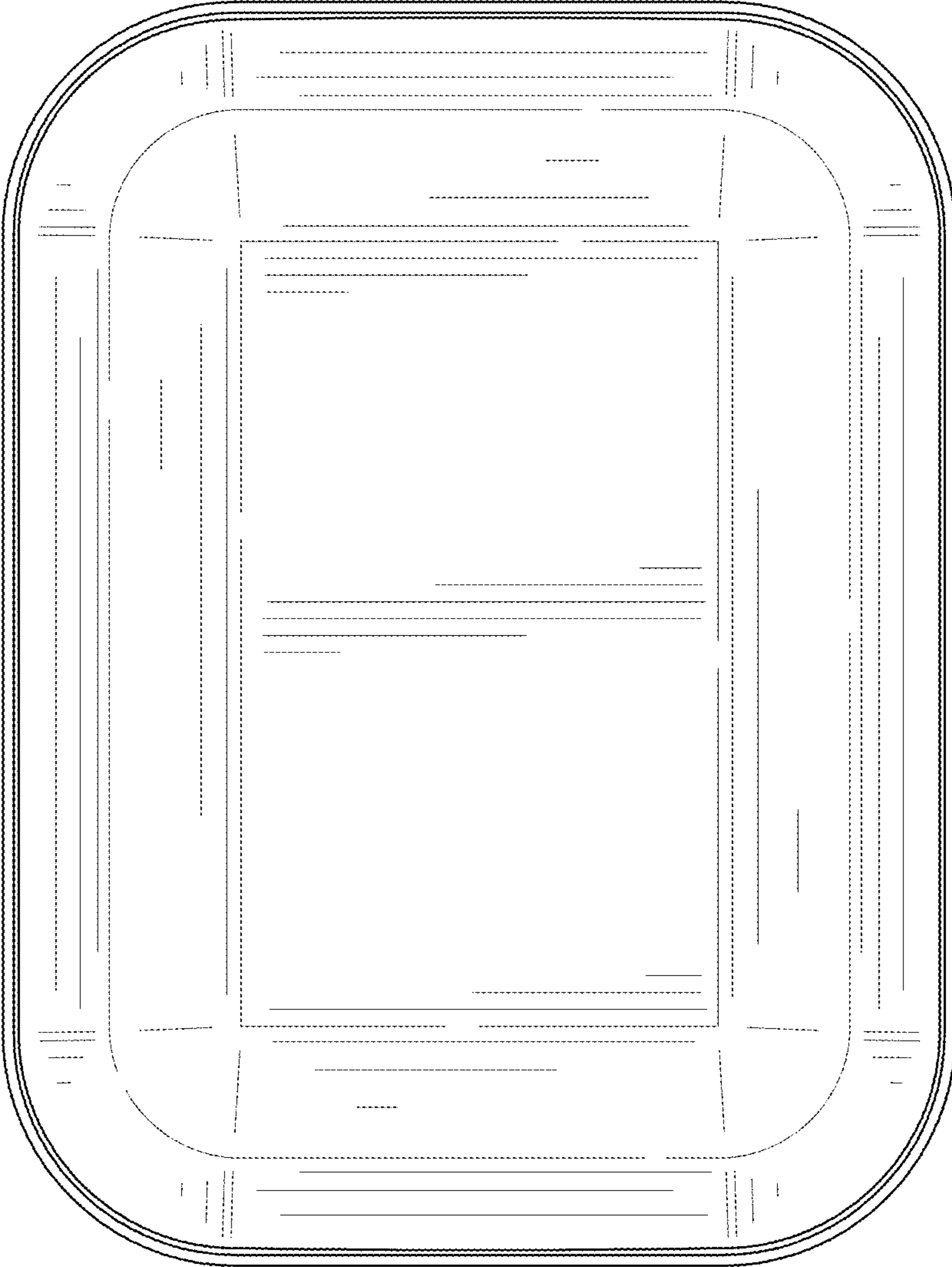


FIG. 8

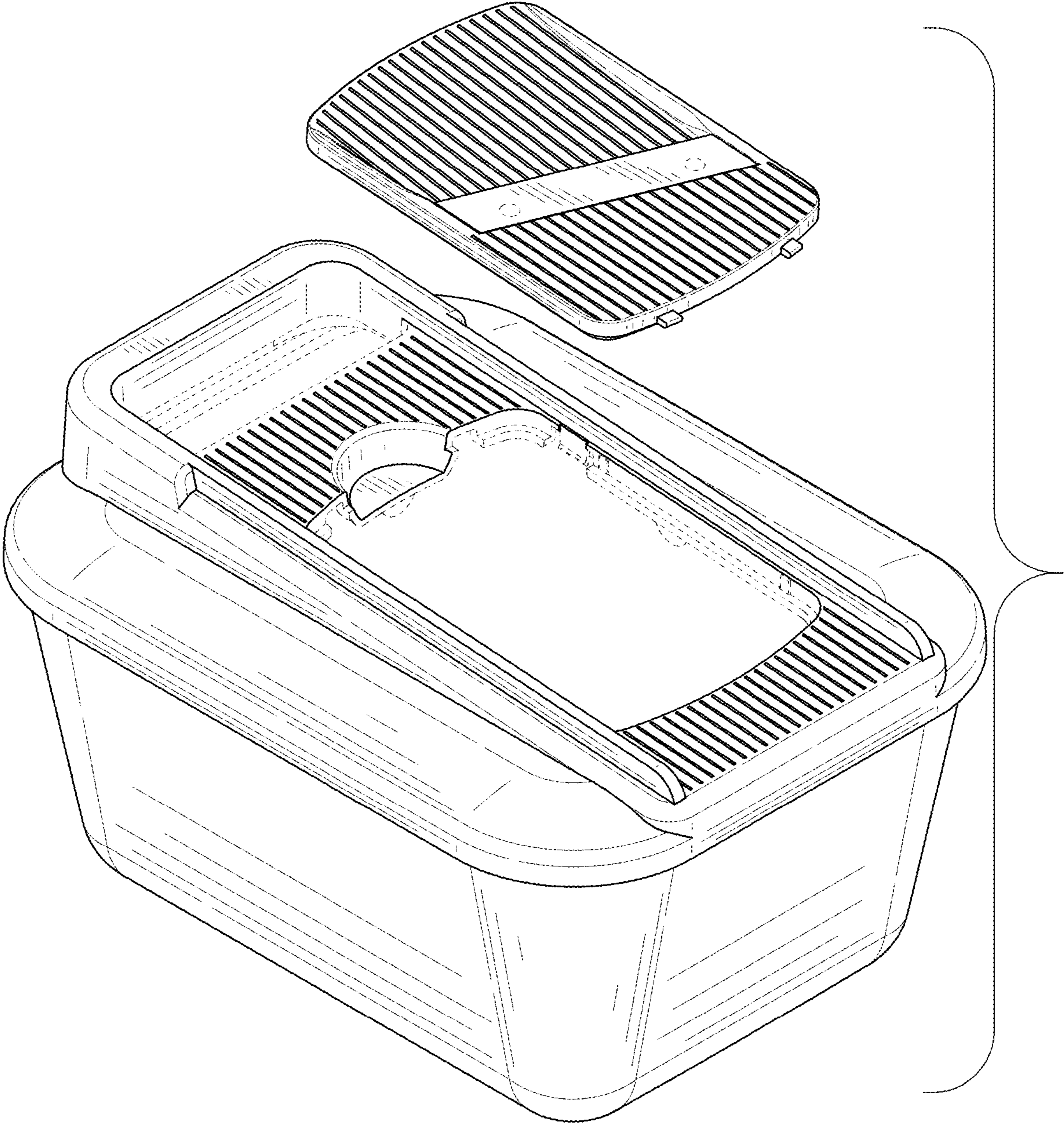


FIG. 9