



US00D931686S

(12) **United States Design Patent** (10) **Patent No.:** **US D931,686 S**  
**Charlier et al.** (45) **Date of Patent:** **\*\* Sep. 28, 2021**

(54) **CONTAINER**

D605,899 S \* 12/2009 Meether ..... D7/605  
D651,860 S \* 1/2012 Nie ..... D7/605  
9,290,297 B2 3/2016 Overath  
(Continued)

(71) Applicant: **The Vollrath Company, L.L.C.**,  
Sheboygan, WI (US)

**FOREIGN PATENT DOCUMENTS**

(72) Inventors: **David J. Charlier**, Sheboygan, WI  
(US); **Christopher J. Niemann**,  
Howards Grove, WI (US); **Jill  
Hundley**, Sheboygan, WI (US);  
**Matthew P. Schemelin**, West Bend, WI  
(US)

DE 27 34 964 A1 2/1979  
DE 19713691 A1 10/1998  
(Continued)

(73) Assignee: **The Vollrath Company, L.L.C.**,  
Sheboygan, WI (US)

**OTHER PUBLICATIONS**

(\*\*) Term: **15 Years**

Amazon, "Vollrath VEPPC306 Full-Size 6" Deep Flip-Down Top  
Loading Insulated Food . . . ", First on sale Feb. 19, 2020.  
(<https://www.amazon.com/Vollrath-VEPPC306-Full-Size-Flip-Down-Insulated/dp/B0853BTW6T>) (Year: 2020).\*  
(Continued)

(21) Appl. No.: **29/688,552**

*Primary Examiner* — April Rivas

(22) Filed: **Apr. 23, 2019**

(74) *Attorney, Agent, or Firm* — Foley & Lardner LLP

(51) **LOC (13) Cl.** ..... **07-01**

(52) **U.S. Cl.**

(57) **CLAIM**

USPC ..... **D7/605**

We claim the ornamental design for an container, as shown  
and described.

(58) **Field of Classification Search**

**DESCRIPTION**

USPC ..... D3/201, 217, 273, 276, 279, 283, 285,  
D3/289, 290, 900, 902, 905, 257, 258,  
D3/278, 318, 303, 254, 321, 216, 901;  
D7/605, 607, 629  
CPC ..... A45C 2003/008; A45C 2005/035; A45C  
2003/007; A45C 13/02; A45C 11/02;  
A45C 2200/10; A45C 2013/026; A45C  
2013/025; B25H 3/02; B65F 1/04; B65F  
1/08; B65D 81/3813; B65D 81/3816

FIG. 1 is a perspective view of the claimed design;  
FIG. 2 is a front view thereof;  
FIG. 3 is a rear view thereof;  
FIG. 4 is a left side view thereof;  
FIG. 5 is a right side view thereof;  
FIG. 6 is a top view thereof; and,  
FIG. 7 is a bottom view thereof.

See application file for complete search history.

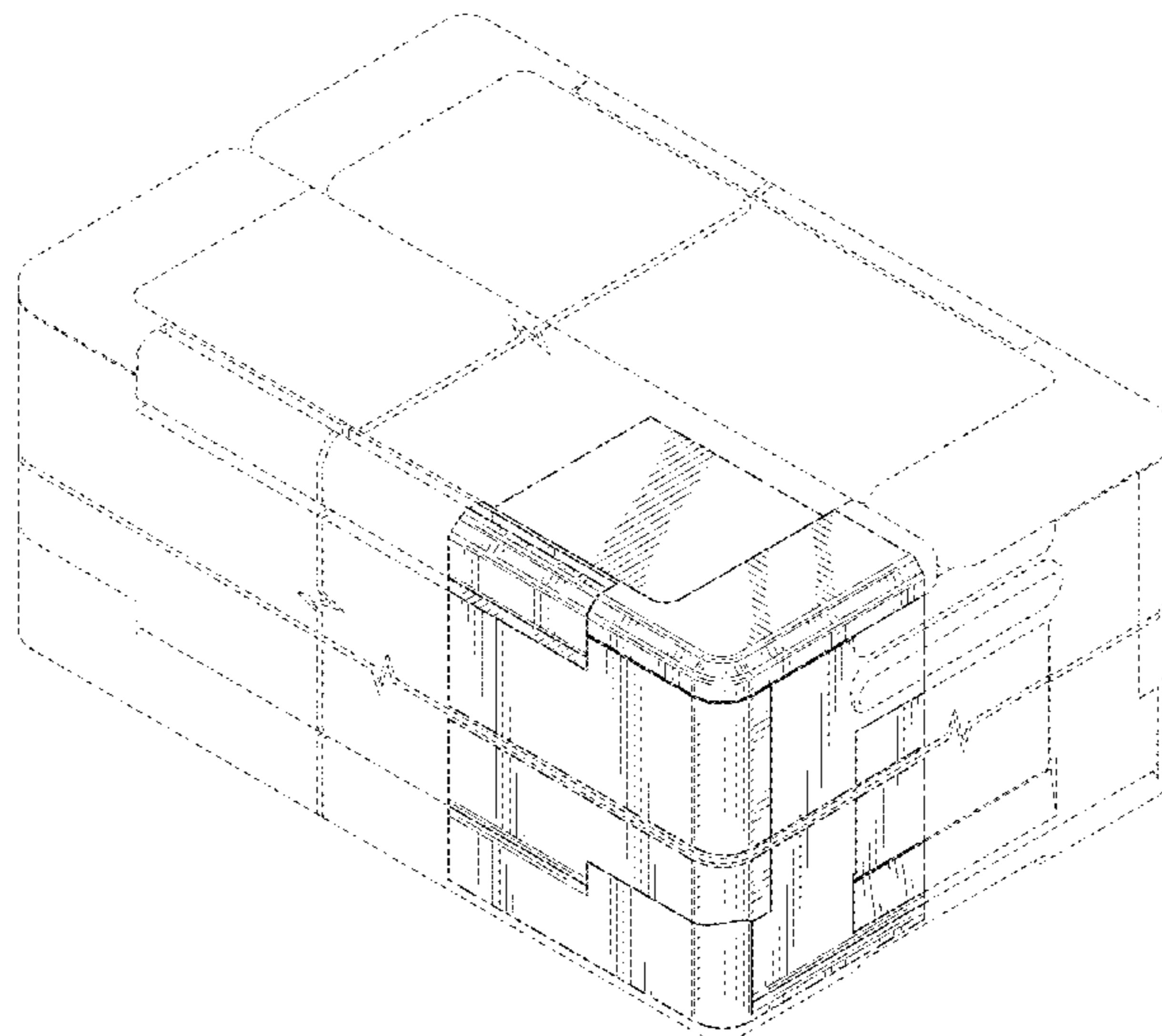
The ornamental design which is claimed is shown in solid  
lines in the drawings. The broken lines in the drawings are  
for illustrative purposes only and form no part of the claimed  
design. Broken lines formed by equal length dashes show  
unclaimed subject matter. Broken lines formed by unequal  
length dashes (i.e., dash-dot) define bounds of the claimed  
design.

(56) **References Cited**

**U.S. PATENT DOCUMENTS**

2,486,532 A 11/1949 Kubach  
4,624,381 A 11/1986 Friedrich  
4,735,331 A 4/1988 Keenan et al.  
6,446,825 B1 9/2002 Godoy

**1 Claim, 7 Drawing Sheets**



(56)

**References Cited**

U.S. PATENT DOCUMENTS

D773,254 S \* 12/2016 Jarvis ..... D7/605  
 D773,899 S \* 12/2016 Jarvis ..... D7/605  
 9,540,138 B2 1/2017 Dubois et al.  
 D814,246 S \* 4/2018 Brattoli ..... D7/605  
 D817,112 S \* 5/2018 Jarvis ..... D7/629  
 D823,065 S \* 7/2018 Eichinger ..... D7/605  
 D901,254 S \* 11/2020 Beavis ..... D7/605  
 D908,357 S \* 1/2021 Guerdrum ..... D3/294  
 10,906,723 B2 \* 2/2021 Guerdrum ..... B65D 81/3813  
 10,981,714 B2 \* 4/2021 Austerberry ..... B65D 81/3818  
 2007/0284358 A1 \* 12/2007 Claffy ..... B65D 81/3823  
 219/386  
 2011/0168593 A1 7/2011 Neufeld et al.  
 2011/0168702 A1 7/2011 Neufeld et al.  
 2017/0073146 A1 \* 3/2017 Kuhn ..... B65D 81/3813

FOREIGN PATENT DOCUMENTS

GB 2 257 422 A 1/1993  
 JP 2001-080638 A 3/2001  
 KR 2013-0011186 A 1/2013

OTHER PUBLICATIONS

Kitchen Databank, "Elector Co., Ltd.: BARTH Thermo Future Box", Accessed Aug. 6, 2021. Original in Japanese. Link shortened due to unsupported characters. (<https://bit.ly/2Vz9YPx>) (Year: 2021).  
 OnTel Products Corp., Chill Chest, <https://www.ontelcatalog.com/product/chill-chest/> (5 pages).

\* cited by examiner

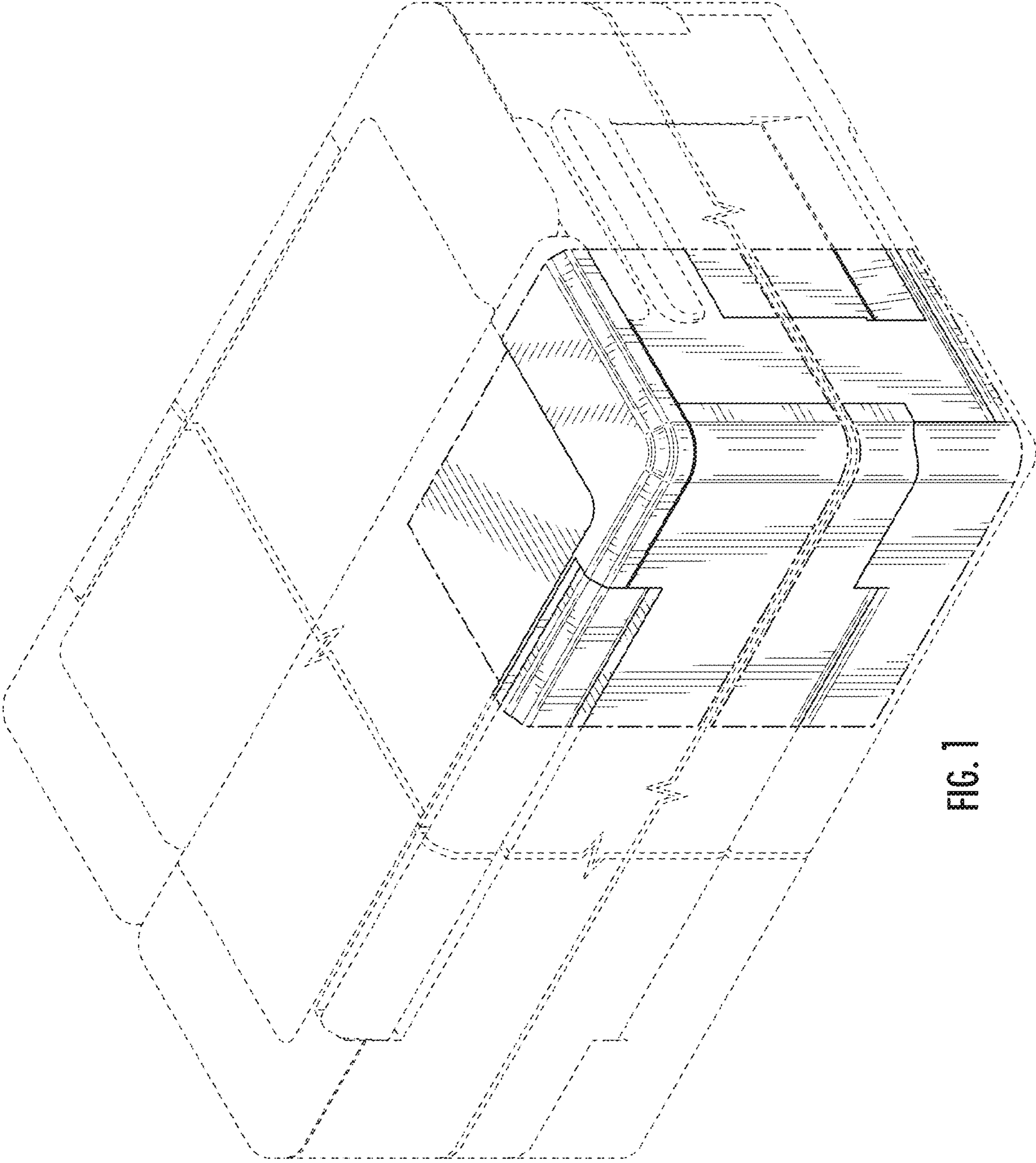


FIG. 1

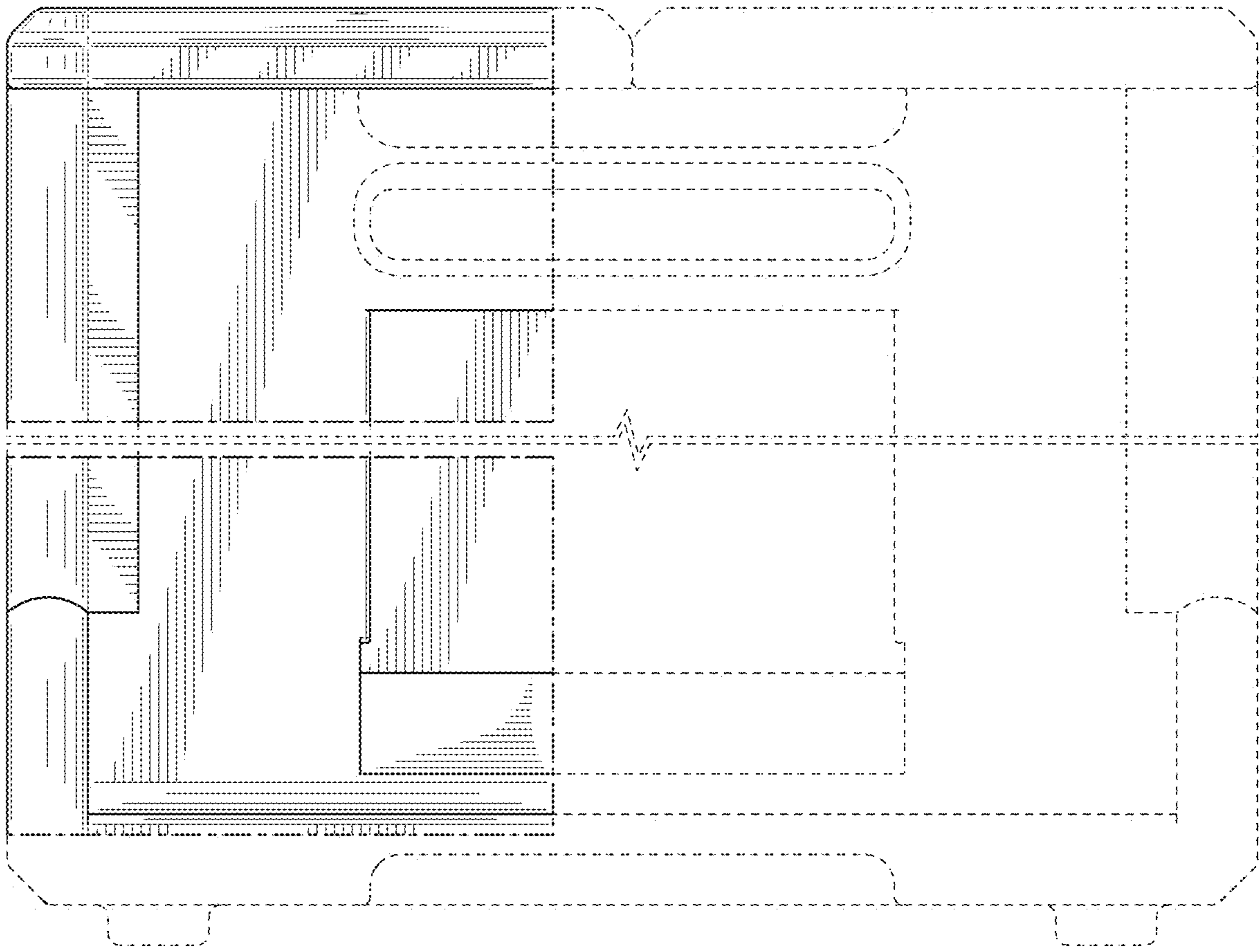


FIG. 2

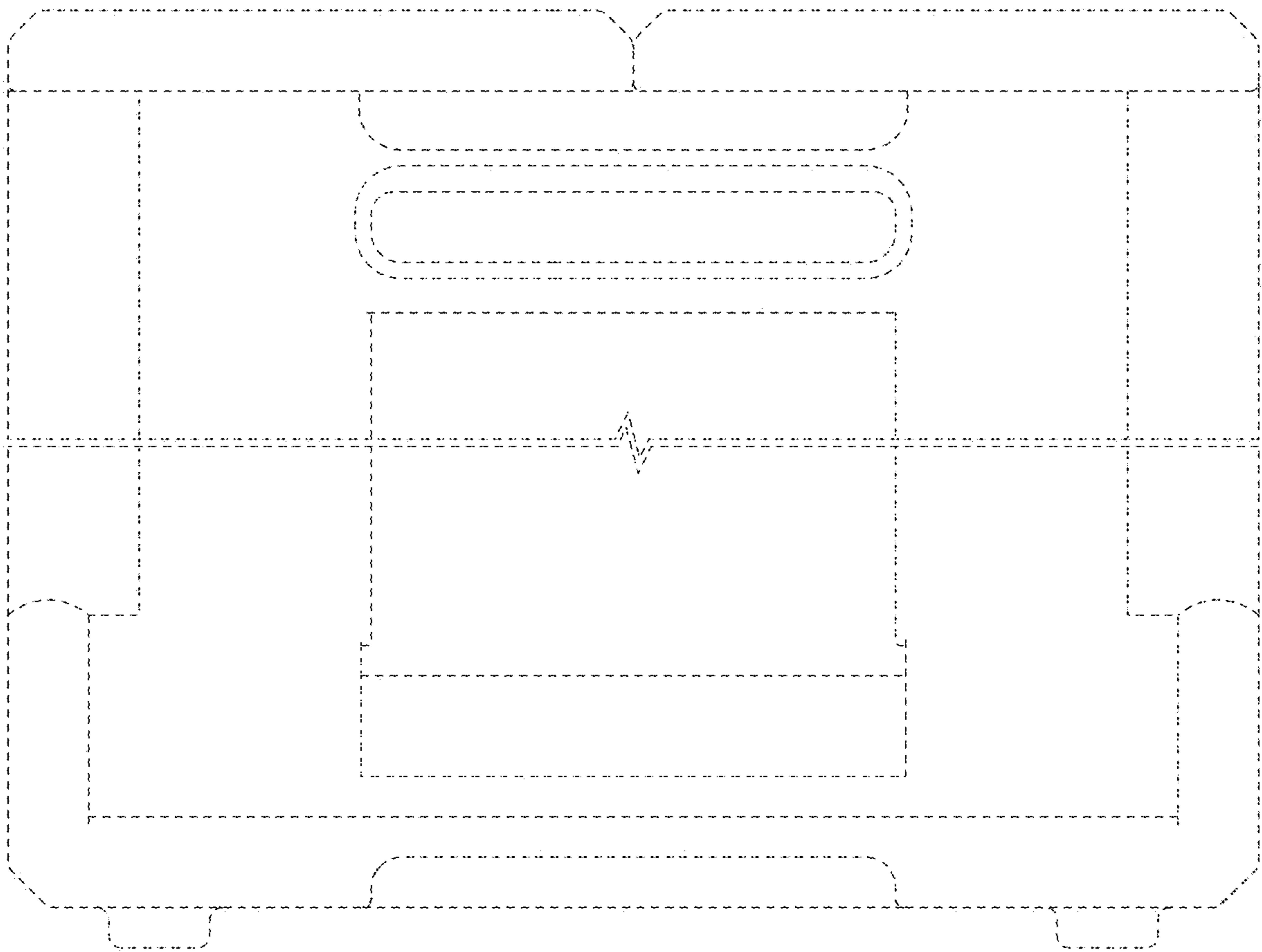


FIG. 3

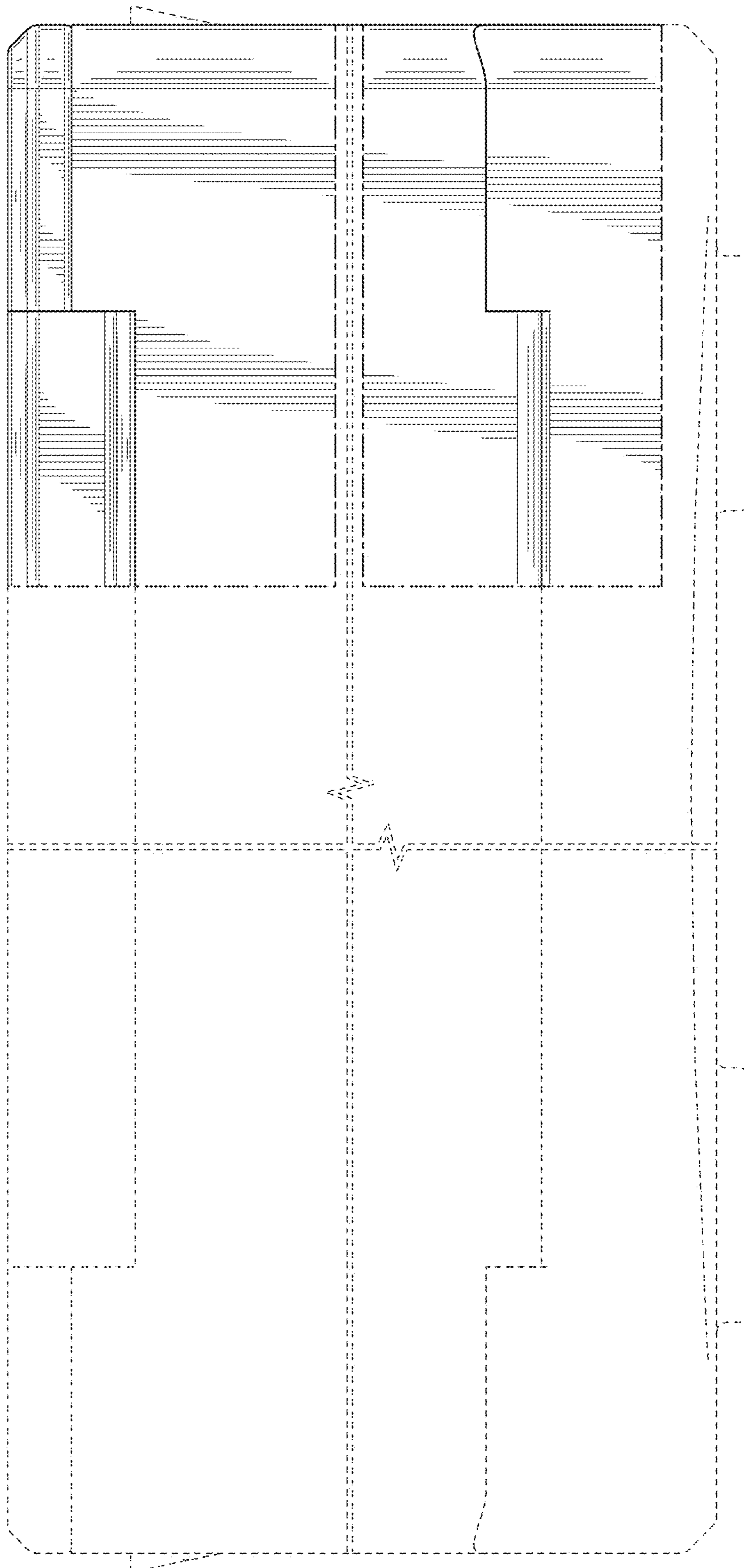


FIG. 4

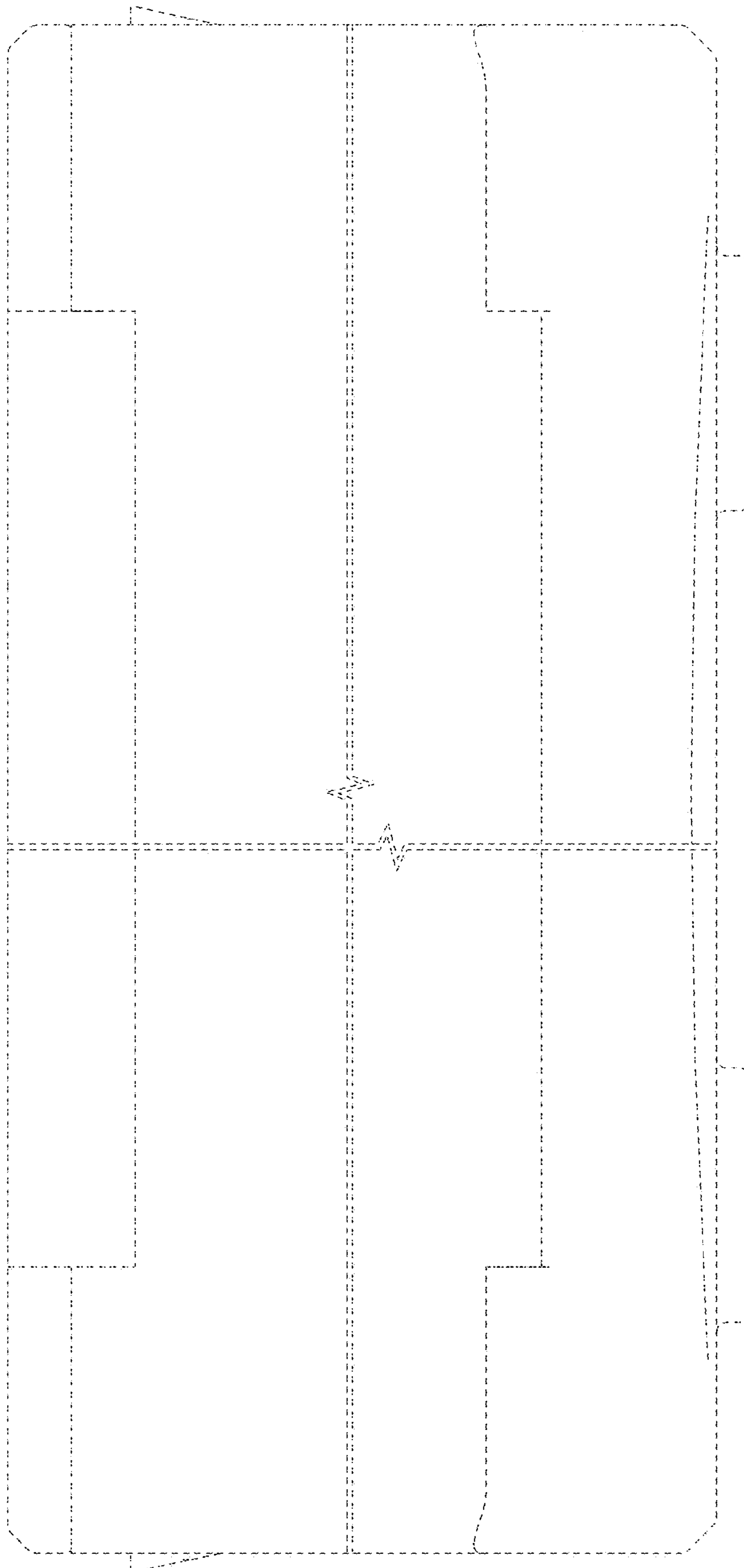


FIG. 5

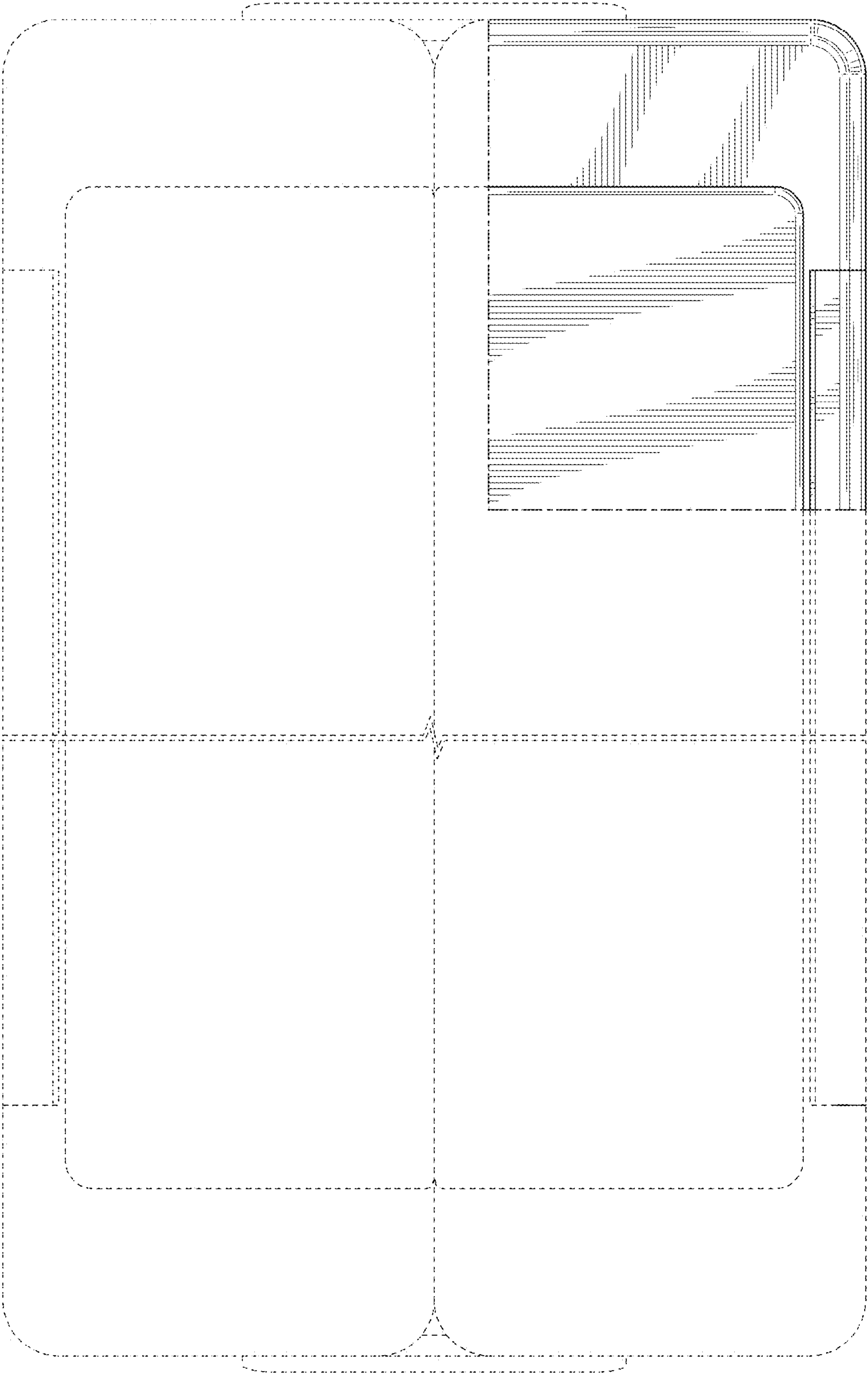


FIG. 6



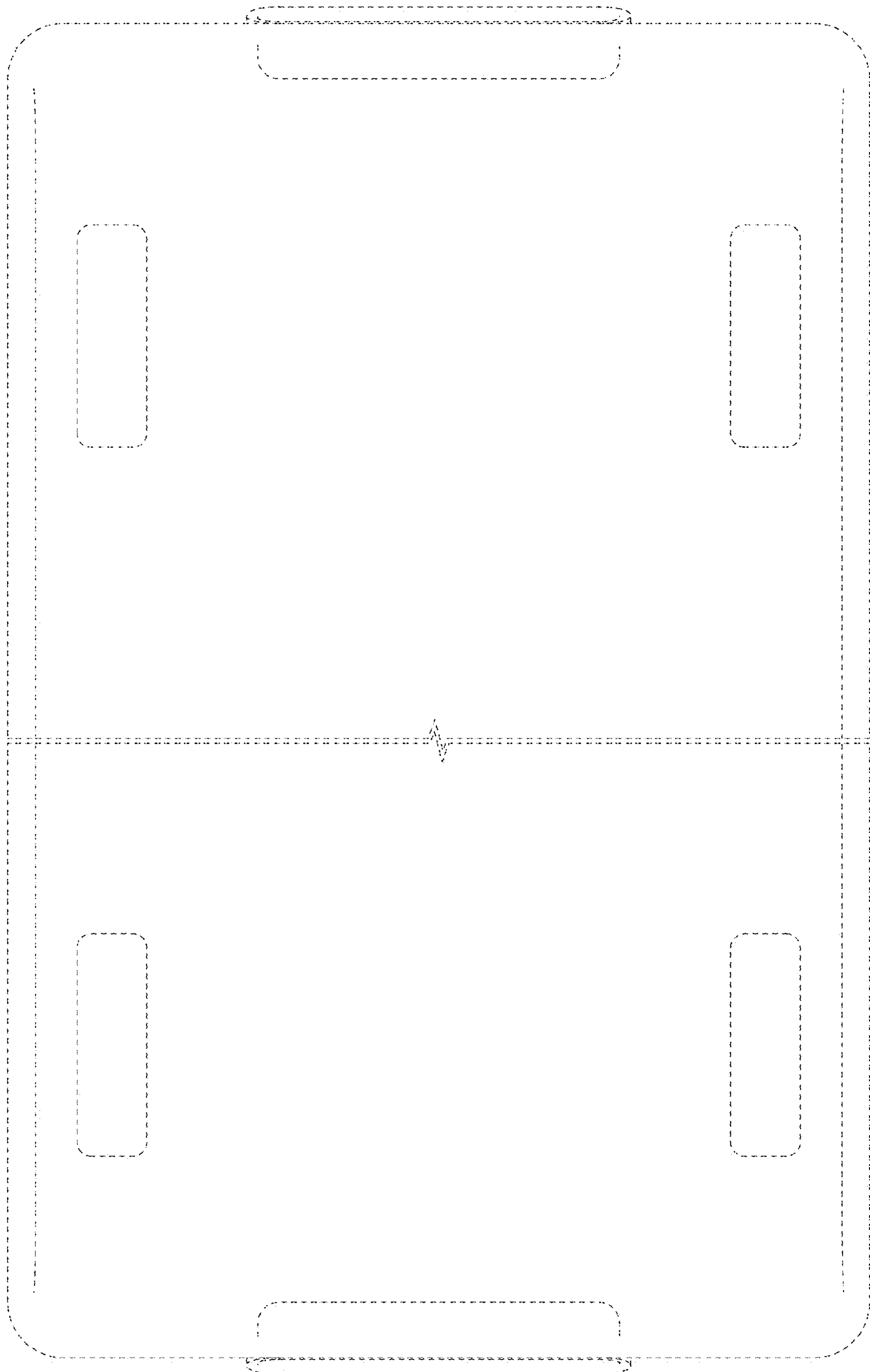


FIG. 7