



US00D931685S

(12) **United States Design Patent**
Uthuppan

(10) **Patent No.:** **US D931,685 S**

(45) **Date of Patent:** **** Sep. 28, 2021**

(54) **SANDWICH INGREDIENT CARRIER**

(71) Applicant: **Jose P Uthuppan**, Allentown, PA (US)

(72) Inventor: **Jose P Uthuppan**, Allentown, PA (US)

(**) Term: **15 Years**

(21) Appl. No.: **29/727,011**

(22) Filed: **Mar. 6, 2020**

(51) **LOC (13) Cl.** **07-07**

(52) **U.S. Cl.**
USPC **D7/602**

(58) **Field of Classification Search**
USPC D7/332, 339, 505, 513, 550.1,
D7/553.1-553.3, 554.3-555, 566, 590,
D7/592, 596-597, 600-600.1,
D7/600.3-600.4, 602, 614, 619.1, 701,
D7/705-706, 709; D9/424-425,
D9/430-432, 747, 751, 753, 759-760;
206/541, 545, 549; D19/92, 101-105,
D19/107; D32/53, 55; 220/212.5
CPC ... A47K 1/09; A47J 47/02; A47J 47/06; A47J
47/10; B65D 1/36; B65D 1/00; B65D
81/3813; B65D 5/46072; A47G 23/04;
A47G 23/0683; A45C 11/20
See application file for complete search history.

(56) **References Cited**

U.S. PATENT DOCUMENTS

D235,454 S *	6/1975	Lindow	D13/119
4,744,613 A *	5/1988	Brantingham	B25H 3/02
			206/216
D301,927 S *	6/1989	Williams, Jr.	D3/304
D309,970 S *	8/1990	Embree	D3/304
D311,799 S *	10/1990	Embree	D3/294
D322,993 S *	1/1992	Hobson	D19/75
D327,560 S *	6/1992	Hradisky	D3/307
D327,561 S *	6/1992	Hradisky	D3/307
5,590,770 A *	1/1997	Yeh	G11B 33/0444
			206/308.1
D385,720 S *	11/1997	Dickinson	D3/279

D408,140 S *	4/1999	Johnson	D3/276
D409,387 S *	5/1999	Yemini	D3/304
D462,838 S *	9/2002	Van Landingham	D3/304
D542,034 S *	5/2007	Romano	D25/68
D573,795 S *	7/2008	Henderson	D3/315
D605,856 S *	12/2009	Wu	D3/304
D621,619 S *	8/2010	Ripoll	D3/304
D630,852 S *	1/2011	Kobilarcik	D3/307
D635,770 S *	4/2011	Kobilarcik	D3/304

(Continued)

OTHER PUBLICATIONS

Sandwich Caddy, Ideas Novel/Jose, facebook.com, published by Ideas Novel on Sep. 8, 2017 © 2019 Facebook, online, site visited Nov. 22, 2019. Available from Internet, URL: https://www.facebook.com/pg/Sandwich-Caddy-666278873578288/posts/?ref=page_internal (Year: 2017).*

(Continued)

Primary Examiner — Lakiya G Rogers
Assistant Examiner — Altaira J Swangin

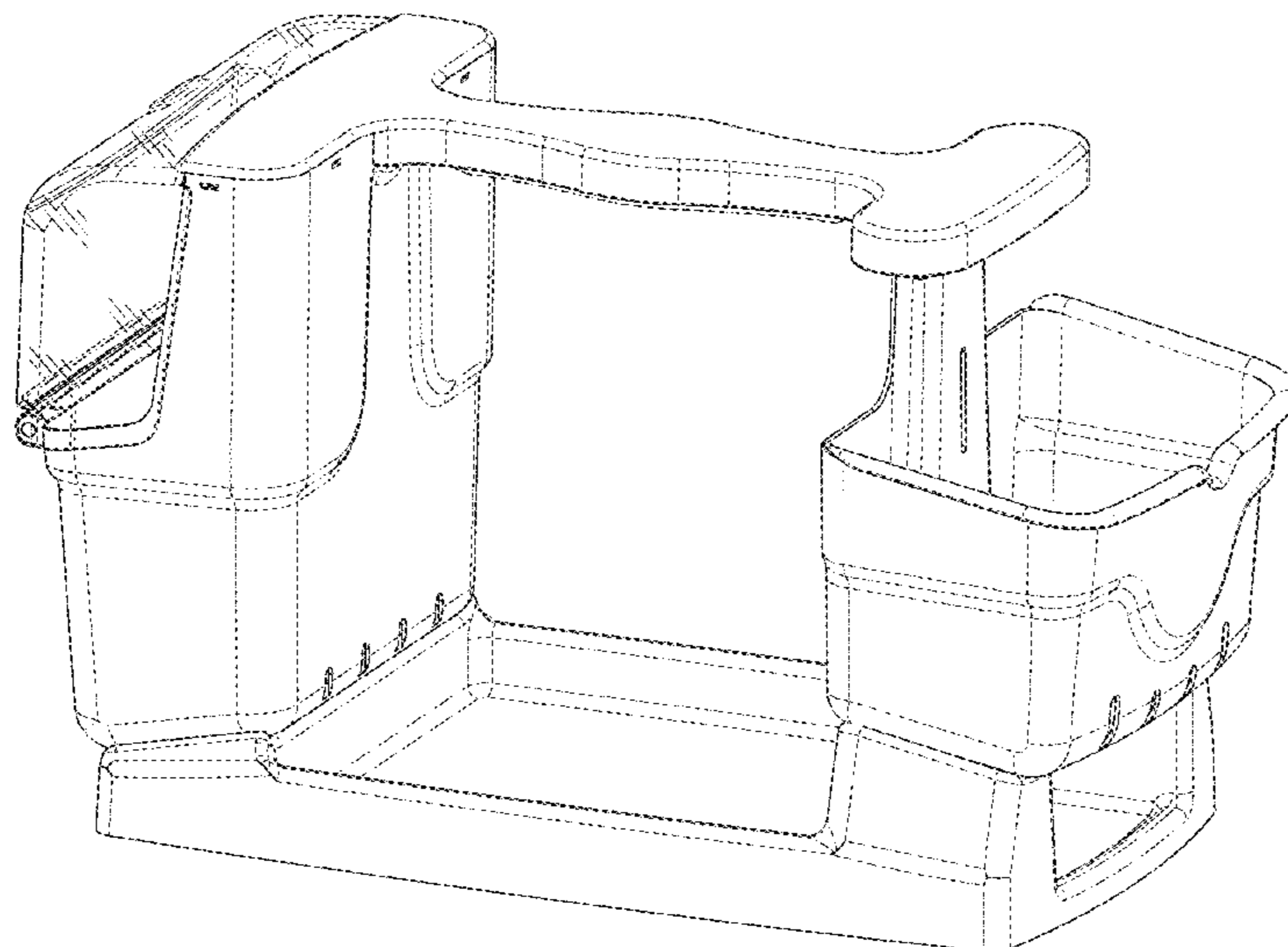
(57) **CLAIM**

The ornamental design for a sandwich ingredient carrier, as shown and described.

DESCRIPTION

FIG. 1 is an Isometric view looking from the front right corner showing the new, original, and ornamental design of a sandwich carrier;
FIG. 2 is a Front elevation view thereof;
FIG. 3 is a Right side elevation view thereof;
FIG. 4 is a Top plan view thereof; and,
FIG. 5 is the Isometric view referenced above with the transparent cover in an open position.
The even dash broken lines, shown in the drawings, represent portions of the sandwich ingredient carrier that form no part of the claimed design.

1 Claim, 5 Drawing Sheets



(56)

References Cited

U.S. PATENT DOCUMENTS

D683,962	S *	6/2013	Brunner	D3/304
D688,044	S *	8/2013	Brunner	D3/304
8,636,169	B2 *	1/2014	Sampaio	B65D 25/2891 200/555
D700,780	S *	3/2014	Currier	D3/304
D762,065	S *	7/2016	Hsu	D3/304
D784,018	S *	4/2017	Shamp	D3/304
D805,402	S *	12/2017	Gamble	D9/755
D840,839	S *	2/2019	Wonderley	D9/749
D890,606	S *	7/2020	Lebeau	D9/431
D911,116	S *	2/2021	Uthuppan	D7/602
2003/0230499	A1 *	12/2003	Wagner	B65D 5/4275 206/216
2006/0027469	A1 *	2/2006	Irwin	A47L 13/51 206/216
2010/0133132	A1 *	6/2010	Allan	B25H 3/02 206/372
2019/0075772	A1 *	3/2019	Kaihara	B65D 1/36
2019/0118998	A1 *	4/2019	Uthuppan	B65D 85/72

OTHER PUBLICATIONS

Sandwich Caddy, Ideas Novel, ideasnovel.com, published by J. Uthuppan on Jan. 18, 2018 per wayback machine © not listed, site visited Nov. 22, 2019. Available from Internet, URL: <https://www.ideasnovel.com> (Year: 2018).*

V50-204 Tool Caddy, Val-Pak, val-pakproducts.com, author not listed, published on Aug. 9, 2016 © 2015 Val-Pak Products, online, site visited Mar. 13, 2019. Available from Internet, URL: <https://web.archive.org/web/20160809235628/http://val-pakproducts.com/product/v50-204-tool-caddy/> (Year: 2016).*

* cited by examiner

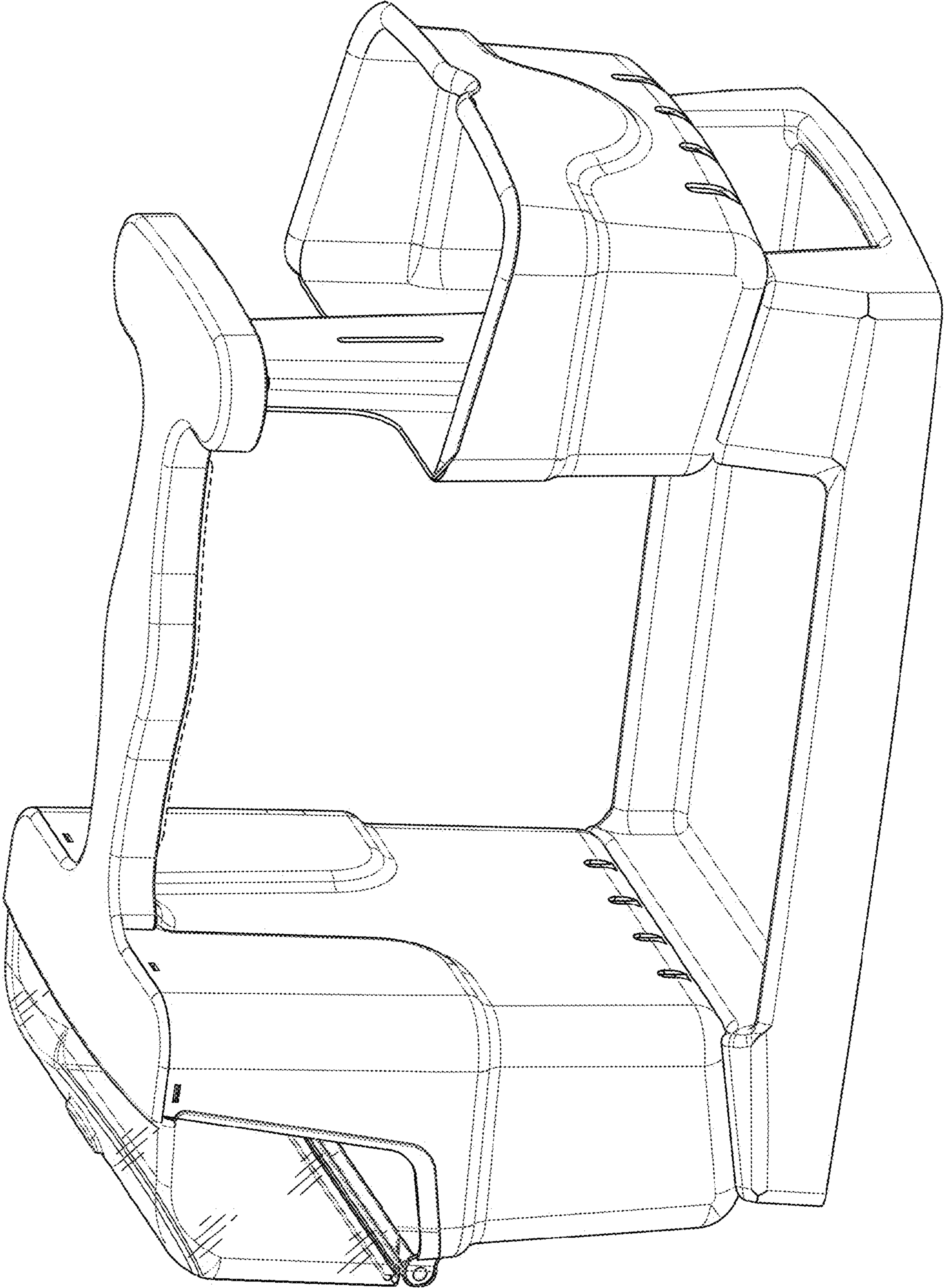


FIG. 1

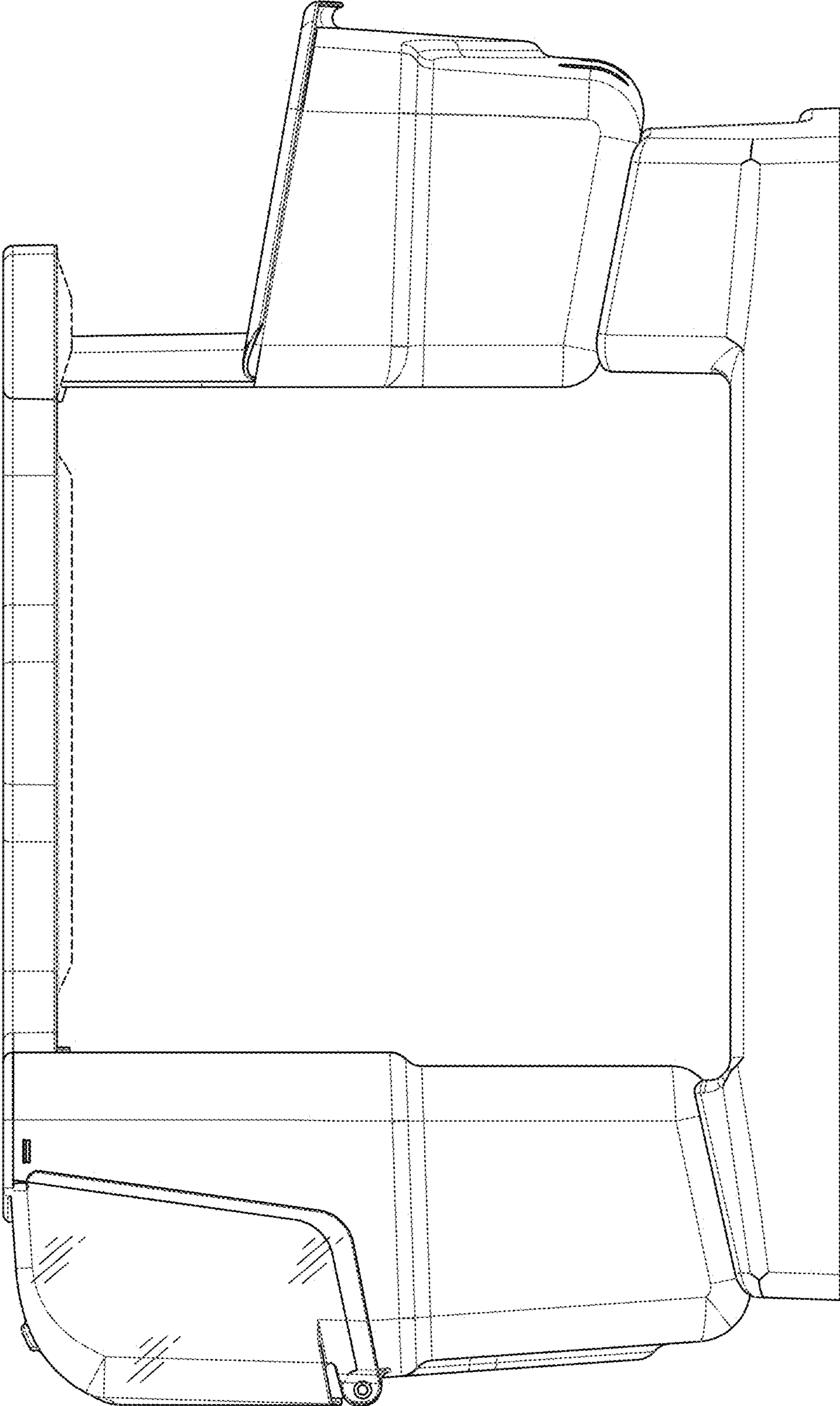


FIG. 2

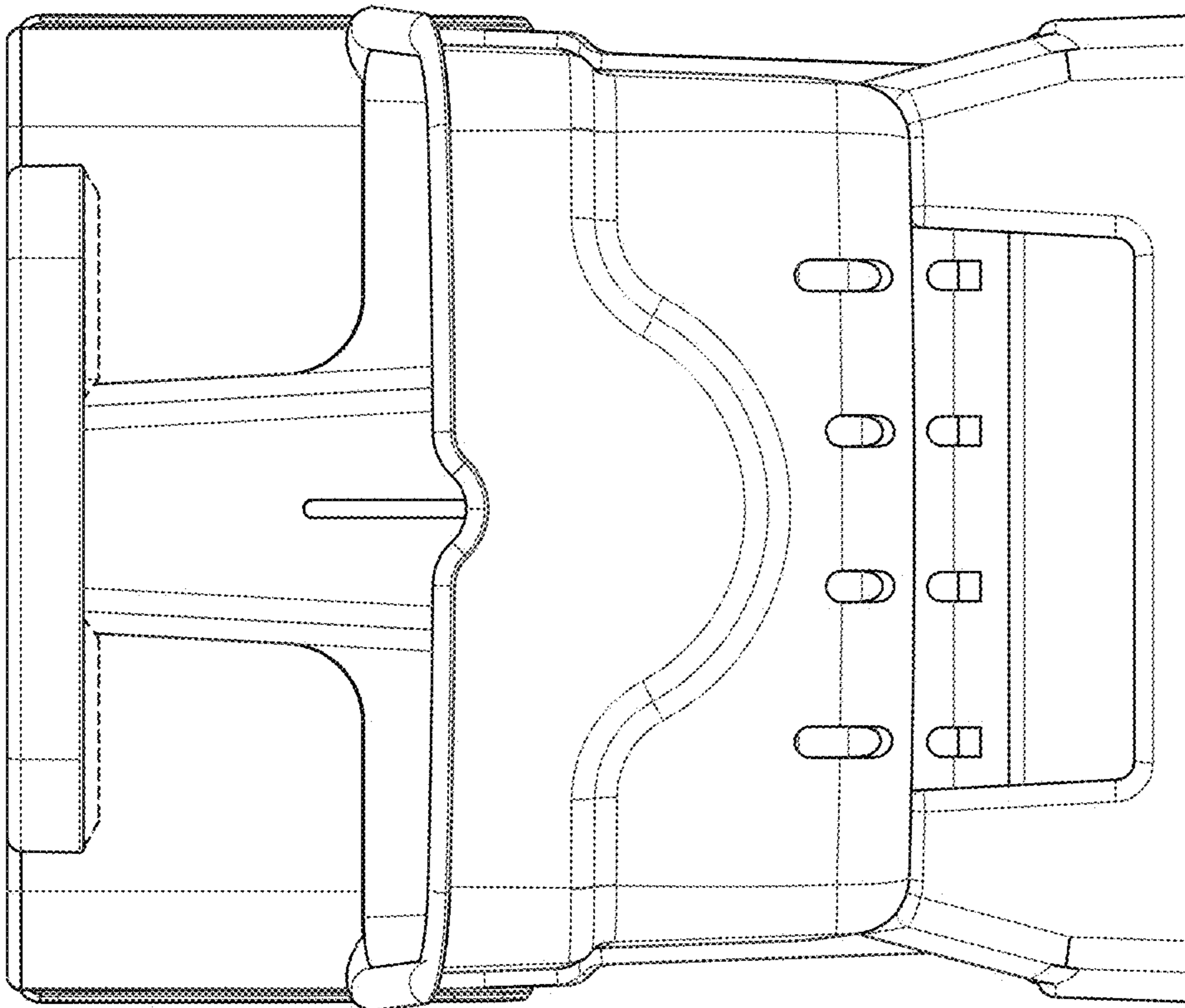


FIG. 3

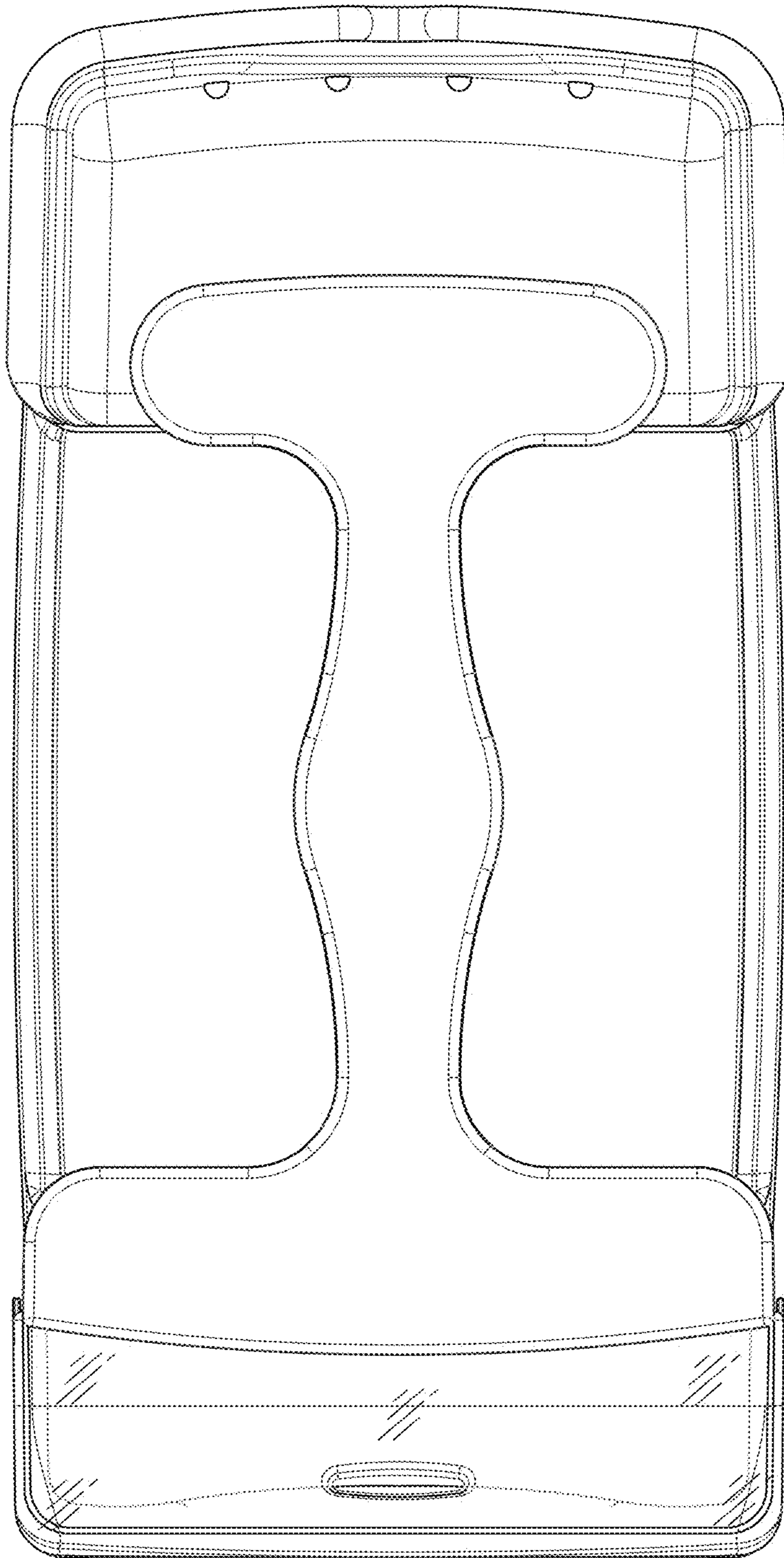


FIG. 4

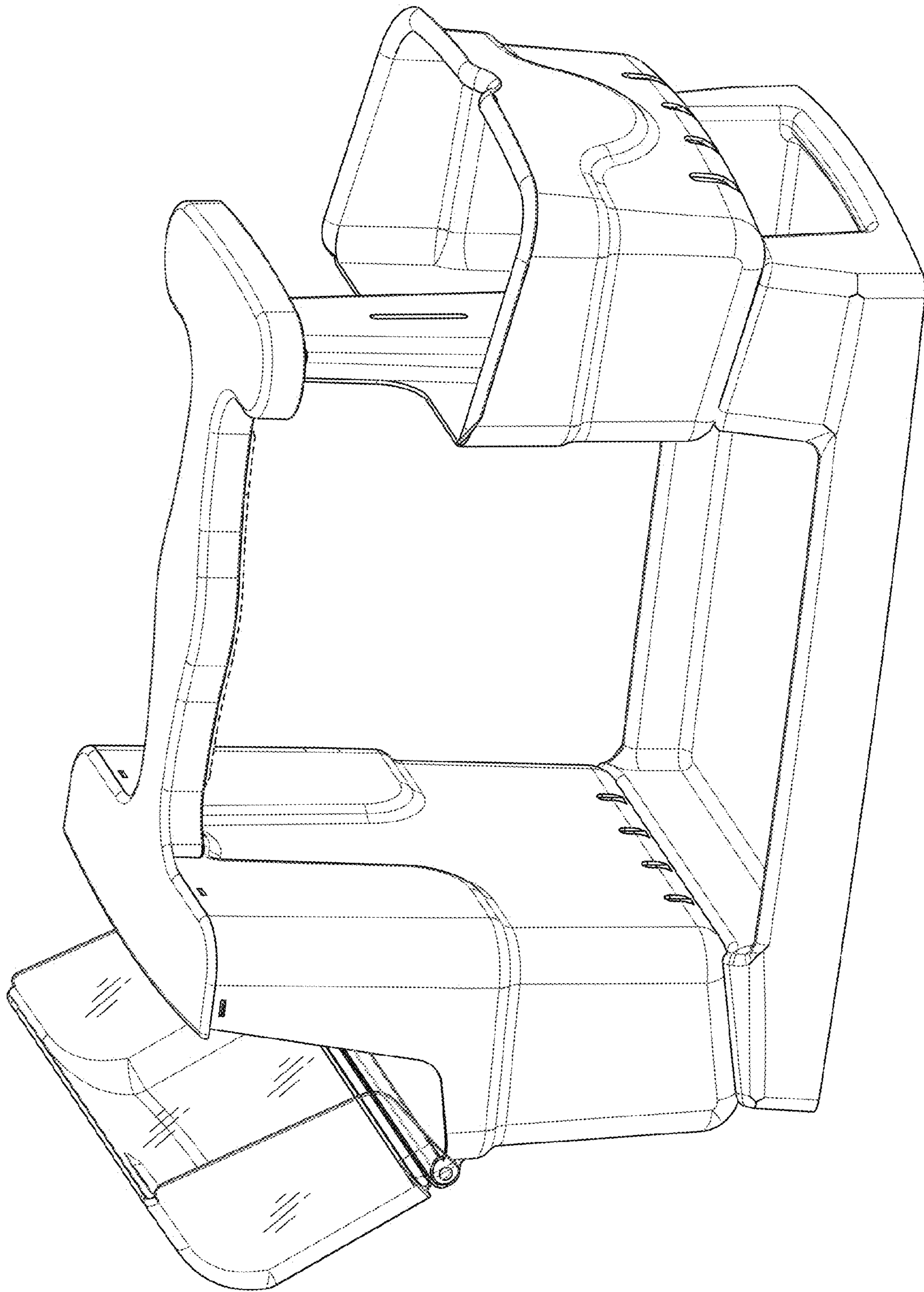


FIG. 5