



US00D931681S

(12) **United States Design Patent** (10) **Patent No.:** **US D931,681 S**
McCabe et al. (45) **Date of Patent:** **** *Sep. 28, 2021**

(54) **BEVERAGE CONTAINER**

FOREIGN PATENT DOCUMENTS

(71) Applicant: **Leapfrog Product Development LLC**,
Chicago, IL (US)

CA 131525 * 5/2010
CA 138914 * 10/2011
WO WO-2017000148 A1 * 1/2017 A47G 19/22

(72) Inventors: **Micaela K. McCabe**, Chicago, IL (US);
Steven N. Pinelli, Ogden Dunes, IN
(US); **Glen C. Gilmore, III**, Naperville,
IL (US); **Derek J. Leatzow**, Chicago,
IL (US); **Brian M. Clemens**,
Burnsville, MN (US); **Richard E.**
Ellison, Chicago, IL (US); **Kurtis M.**
Sward, Anna Maria, FL (US)

OTHER PUBLICATIONS

Bubba Brands, "bubba Flo Duo Dual-Wall Insulated Water Bottle,"
Mar. 26, 2016, Amazon.com, www.amazon.com/dp/B01DGMBL0Q
(Year: 2016).*

(Continued)

(73) Assignee: **Leapfrog Product Development LLC**,
Chicago, IL (US)

Primary Examiner — Shannon W Morgan
Assistant Examiner — Arva P Adams
(74) *Attorney, Agent, or Firm* — Barnes & Thornburg
LLP

(*) Notice: This patent is subject to a terminal dis-
claimer.

(57) **CLAIM**

We claim the ornamental design for a beverage container, as
shown and described.

(**) Term: **15 Years**

DESCRIPTION

(21) Appl. No.: **29/679,061**

FIG. 1 is a top perspective view of the beverage container
according to the new design.

(22) Filed: **Feb. 1, 2019**

FIG. 2 is a bottom perspective view of the beverage con-
tainer shown in FIG. 1.

(51) **LOC (13) Cl.** **07-01**

FIG. 3 is a rear elevation view of the beverage container
shown in FIG. 1.

(52) **U.S. Cl.**

FIG. 4 is a front elevation view of the beverage container
shown in FIG. 1.

USPC **D7/510**

(58) **Field of Classification Search**

FIG. 5 is a right side elevation view of the beverage
container shown in FIG. 1.

USPC D7/300.1, 300.2, 392, 392.1, 507, 510,
D7/511, 523, 532, 536, 592, 624.2, 679;

(Continued)

FIG. 6 is a left side elevation view of the beverage container
shown in FIG. 1.

(56) **References Cited**

FIG. 7 is a top plan view of the beverage container shown
in FIG. 1; and,

U.S. PATENT DOCUMENTS

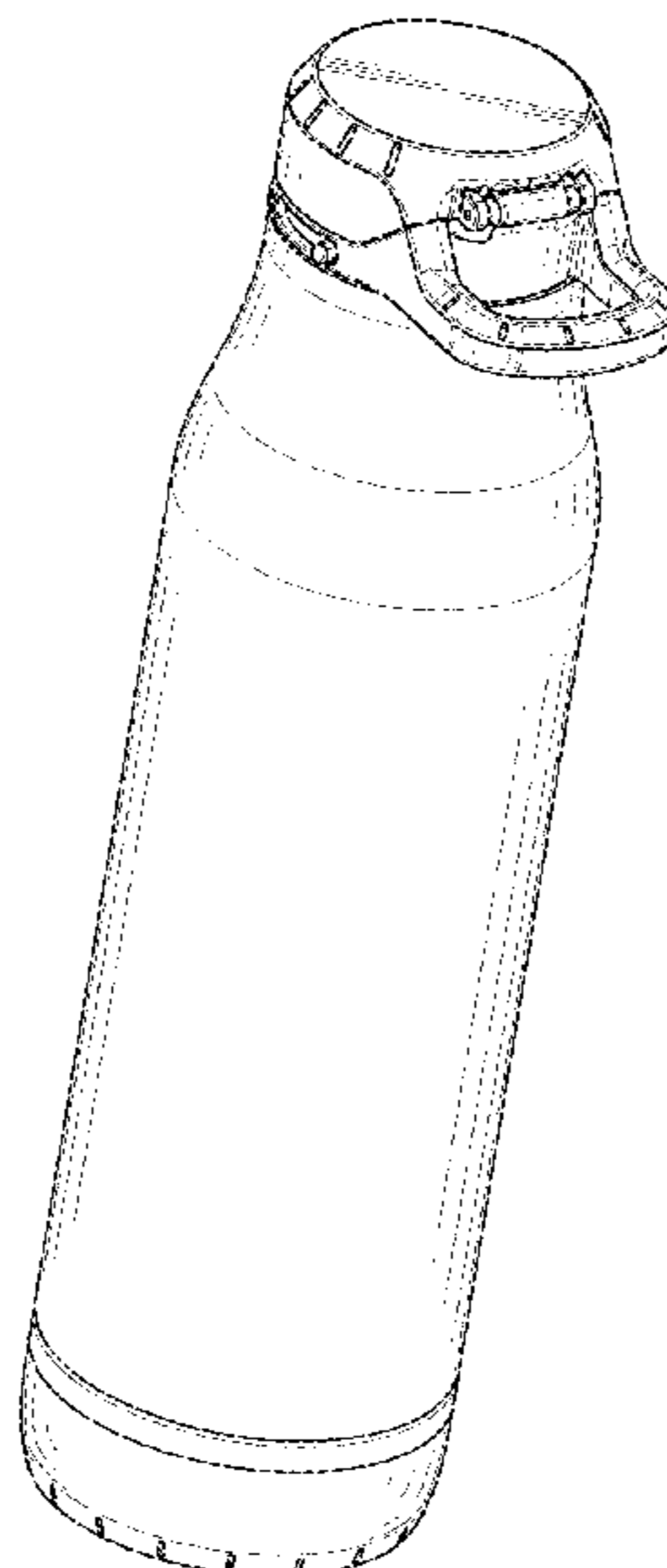
D364,810 S 12/1995 Meisner
D471,455 S 3/2003 Laveault et al.

FIG. 8 is a bottom plan view of the beverage container
shown in FIG. 1.

(Continued)

The broken lines in the drawings illustrate portions of the
beverage container that form no part of the claimed design.

1 Claim, 8 Drawing Sheets



(58) **Field of Classification Search**

USPC 206/37; D9/414, 415, 432, 434, 435,
 D9/443, 445, 448, 449, 452, 454, 500,
 D9/501, 502, 503, 504, 517, 526, 527,
 D9/529, 530, 541, 553, 591, 608, 683,
 D9/688, 754; D24/121; D14/191;
 D28/88, 89, 91, 91.1; 220/509, 568, 705,
 220/708, 710; D3/202, 203.2, 294, 318
 CPC A45C 11/00; A45C 11/34; B65D 41/04;
 B65D 1/02; B65D 47/265; B65D 51/247;
 B65D 77/283; A47G 19/2205; A47G
 19/065; A47J 43/27; A45F 5/021; A61J
 1/00; A61J 1/1412

See application file for complete search history.

(56) **References Cited**

U.S. PATENT DOCUMENTS

D485,132 S 1/2004 Ohno et al.
 D505,294 S 5/2005 Gauss
 D508,185 S 8/2005 Gauss
 D515,357 S 2/2006 Ward et al.
 D528,862 S 9/2006 Li
 D533,061 S 12/2006 Li
 D564,841 S 3/2008 Clemens et al.
 D579,722 S 11/2008 Sakulsacha et al.
 D581,727 S 12/2008 Pinelli et al.
 D592,456 S 5/2009 Pinelli et al.
 D592,905 S 5/2009 Pinelli et al.
 D592,913 S * 5/2009 Pinelli D7/510
 7,546,933 B2 6/2009 Pinelli
 D596,460 S * 7/2009 Nezu D7/510
 D609,964 S 2/2010 Lane
 D629,653 S * 12/2010 Gullickson D7/510
 RE42,484 E * 6/2011 Kitamura D7/510
 D643,249 S 8/2011 Miller et al.
 7,997,442 B2 8/2011 Pinelli
 D652,256 S * 1/2012 Eyal D7/510
 D655,580 S 3/2012 Kotani
 D656,787 S 4/2012 Phillips et al.
 D658,445 S * 5/2012 Carreno D7/510
 D660,704 S * 5/2012 Simmons D9/504
 D661,945 S 6/2012 Eyal
 D675,060 S 1/2013 Lane
 8,360,267 B1 1/2013 Chiou et al.
 D682,034 S * 5/2013 El-Saden D7/510
 D686,871 S * 7/2013 Lane D7/392.1
 D690,557 S * 10/2013 Carreno D7/510
 D693,629 S 11/2013 Miller
 D693,630 S 11/2013 Hurley et al.
 8,579,133 B2 11/2013 Marcus et al.
 8,590,731 B2 11/2013 Pinelli
 D700,012 S 2/2014 Hurley et al.
 D700,802 S * 3/2014 Miller D7/392.1
 D700,808 S * 3/2014 Eyal D7/510
 8,978,906 B2 3/2015 Feeley et al.
 D725,966 S 4/2015 Boroski et al.
 D739,183 S 9/2015 Lane
 9,266,643 B2 2/2016 Marcus et al.
 D758,189 S 6/2016 Roth et al.
 D758,790 S 6/2016 Boroski
 D774,358 S * 12/2016 Joseph D7/523
 D778,117 S * 2/2017 Du D7/608
 D780,578 S 3/2017 Lane et al.
 D781,104 S * 3/2017 Cerasani D7/510
 D785,402 S 5/2017 Shirley et al.
 D787,886 S * 5/2017 Cerasani D7/510
 D792,216 S * 7/2017 Breit D9/443
 D793,804 S 8/2017 Herbst et al.
 D794,453 S * 8/2017 Boroski D9/449
 D795,011 S * 8/2017 Pisarevsky D7/510
 D795,648 S * 8/2017 Lapsker D7/523
 D799,898 S 10/2017 Yao
 D800,556 S * 10/2017 McGreevy D9/448
 D802,366 S * 11/2017 Cerasani D7/510

D802,993 S 11/2017 Joseph et al.
 D804,903 S * 12/2017 Mason D7/510
 D804,904 S 12/2017 Noveletsky et al.
 D808,220 S 1/2018 Burns et al.
 D808,711 S * 1/2018 Joseph D7/392.1
 D809,384 S 2/2018 Best et al.
 D811,810 S * 3/2018 Joseph D7/392.1
 D812,428 S * 3/2018 Wu D7/510
 D814,398 S 4/2018 Yasunaga
 D816,426 S * 5/2018 Washburn D7/608
 D817,713 S 5/2018 Lin
 D818,317 S * 5/2018 Fu D7/510
 D818,767 S 5/2018 Nezu
 D818,768 S * 5/2018 Joseph D7/396.2
 D818,774 S * 5/2018 Stover D7/510
 D821,136 S 6/2018 Silsby et al.
 D821,137 S 6/2018 Boroski
 D821,815 S 7/2018 Chung
 D822,427 S 7/2018 Sorensen et al.
 D823,033 S * 7/2018 Cailleton D7/300
 D831,425 S 10/2018 Best et al.
 D831,433 S 10/2018 Fleischhut
 D831,434 S * 10/2018 Washburn D7/608
 D835,939 S 12/2018 Yee et al.
 D838,549 S * 1/2019 Gu D7/510
 D839,044 S * 1/2019 Potter D7/392
 D848,787 S 5/2019 Tatsukawa et al.
 D853,181 S 7/2019 Stanton
 D853,784 S 7/2019 Wu
 D865,457 S 11/2019 Kotani
 D869,230 S 12/2019 Hao
 D870,509 S 12/2019 Bo
 2011/0089059 A1 4/2011 Lane et al.
 2012/0312832 A1 12/2012 Lane
 2014/0339177 A1 11/2014 Lane
 2015/0282654 A1 10/2015 Kurabe et al.
 2017/0253394 A1 * 9/2017 Fogarty A45F 3/16
 2017/0297785 A1 10/2017 Maruyama et al.

OTHER PUBLICATIONS

Simple Modern, "Simple Modern 22 Ounce Summit Water Bottle," Oct. 16, 2016, Amazon.com, www.amazon.com/dp/B01K2SDE98 (Year: 2016).*

Zulu, "Zulu Studio Glass Water Bottle with Silicone Sleeve," Aug. 23, 2017, Amazon.com, www.amazon.com/ZULU-Studio-Bottle-Silicone-Sleeve/dp/B0752QCNM3 (Year: 2017).*

CamelBak, "CamelBak Chute Mag Water Bottle," Feb. 7, 2018, Amazon.com, www.amazon.com/dp/B07663V9FZ (Year: 2018).*

Cupture, "Cupture Action Water Bottle Flip Top with Handle," Jan. 30, 2019, Amazon.com, www.amazon.com/dp/B07N8LFDKG (Year: 2019).*

Hoople, "3 Shaker Bottle Protein Mixing Cup," Jan. 8, 2019, Amazon.com, www.amazon.com/dp/B07RWKTLK7 (Year: 2019).*

TrentRecommends, "Contigo Autospout Stainless Steel Sheffield Water Bottle Review," Apr. 17, 2014, YouTube.com, www.youtube.com/watch?v=-_aVdZSNG4 (Year: 2014).*

Zulu, "Zulu Ace Edelstahl Flasche mit Herausnehmbarem Boden," Jul. 8, 2018, Amazon.de, www.amazon.de/dp/B07DHX11RW (Year: 2018).*

Zulu, "Zulu Chase 14oz Stainless Steel Kids Water Bottle," Feb. 26, 2019, Amazon.com, www.amazon.com/dp/B07PP9DGKN (Year: 2019).*

Creative Crafts by Nikki, "My new water bottle," Jan. 15, 2017, Facebook.com, www.facebook.com/lakeroadcreations/photos/a.418289011702073/575151912682448 (Year: 2017).*

Kinderposh Ph, "Disney Store Water Bottle," Jul. 2, 2018, Facebook.com, www.facebook.com/kinderposh.ph/photos/a.84529665652304/902894086559227 (Year: 2018).*

Zulu, "Atlas20 oz Glass Water Bottle," accessed on-line at: <https://www.zuluathletic.com/shop-all/atlas-glass-water-bottle> (available at least as early as Feb. 1, 2019).

KOR, "Vida Bottle—25oz," accessed on-line at: <https://waterbottles.com/kor-vida-bottle-25-oz> (available at least as early as Feb. 1, 2019).

(56)

References Cited

OTHER PUBLICATIONS

Thermos, "Hydration Bottle with Rotating Intake Meter, 24oz," accessed on-line at: <https://www.thermos.com/genuine-thermos-brand-hydration-bottle-with-rotating-intake-meter-24oz.html> (available at least as early as Feb. 1, 2019).

Thermos, "Shaker Bottle with Integrated Mixer, 24oz," accessed on-line at: <https://www.thermos.com/genuine-thermos-brand-shaker-bottle-with-integrated-mixer-24oz-clear-green-accent.html> (available at least as early as Feb. 1, 2019).

Tervis, "Custom Water Bottle," accessed on-line at: <https://www.tervis.com/turtle-sunset-stainless-steel-24oz-stainless-water-bottle-1362572.html> (available at least as early as Feb. 1, 2019).

Swell, "Bottles," accessed on-line at: <https://www.swell.com/shop/swell/bottles/> (available at least as early as Feb. 1, 2019).

Tritan, "32 oz Soft Straw Plastic Water Bottle," accessed on-line at: <http://www.pogogear.com/32oz-tritan-straw> (available at least as early as Feb. 1, 2019).

Tritan, "32oz Chug Plastic Water Bottle," accessed on-line at: <http://www.pogogear.com/32oz-tritan-chug> (available at least as early as Feb. 1, 2019).

Tritan, "18oz Chug Plastic Water Bottle," accessed on-line at: <http://www.pogogear.com/18oz-tritan-chug> (available at least as early as Feb. 1, 2019).

Ello, "chi 24oz BPA-Free Tritan Plastic Water Bottle," accessed on-line at: <https://www.elloproducts.com/water-bottles/chi-24oz-plastic-water-bottle> (available at least as early as Feb. 1, 2019).

Ello, "Dash 16oz 2pk Tritan Plastic Water Bottles," accessed on-line at: <https://www.elloproducts.com/kids/dash-16oz-tritan-plastic-water-bottle> (available at least as early as Feb. 1, 2019).

Ello, "Cru Stemless Wine glass Set with Silicone Protection," accessed on-line at: <https://www.elloproducts.com/tumblers/cru-stemless-wine-glass-set-with-silicone-protection> (available at least as early as Feb. 1, 2019).

Ello, "Elsie 22oz Glass Water Bottle," accessed on-line at: <https://www.elloproducts.com/water-bottles/elsie-22oz-glass-water-bottle> (available at least as early as Feb. 1, 2019).

Ello, "Beacon 24oz Vacuum Insulated Stainless Tumbler," accessed on-line at: <https://www.elloproducts.com/tumblers/beacon-24oz-vacuum-insulated-stainless-tumbler> (available at least as early as Feb. 1, 2019).

Ello, "Rise 12oz Vacuum Insulated Stainless Steel Tumbler with Optional Straw," accessed on-line at: <https://www.elloproducts.com/kids/rise-12oz-vacuum-insulated-stainless-steel-tumbler> (available at least as early as Feb. 1, 2019).

Ello, "Hammertime 18oz Stainless Steel Travel Mug," accessed on-line at: <https://www.elloproducts.com/travel-mugs/hammertime-18oz-vacuum-insulated-stainless-steel-travel-mug> (available at least as early as Feb. 1, 2019).

Ello, "Pure 20oz Glass Water Bottle," accessed on-line at: <https://www.elloproducts.com/water-bottles/pure-20oz-glass-water-bottle> (available at least as early as Feb. 1, 2019).

Ello, "Max 12oz Vacuum-Insulated Stainless Steel Kids Water Bottle," accessed on-line at: <https://www.elloproducts.com/kids/max-12oz-vacuum-insulated-stainless-steel-kids-water-bottle> (available at least as early as Feb. 1, 2019).

Ello, "Syndicate 20oz Glass Water Bottle," accessed on-line at: <https://www.elloproducts.com/water-bottles/syndicate-20oz-glass-water-bottle> (available at least as early as Feb. 1, 2019).

Camelbak, "Eddy+ 1L Bottle," accessed on-line at: https://www.camelbak.com/en/bottles/R02056--Eddy_751_2019?color=6bbd0584f3a64b0eb30d406f7e03797e (available at least as early as Feb. 1, 2019).

Contigo, "Autoseal West Loop 2.0 Stainless," accessed on-line at: <https://www.gocontigo.com/20-oz-autoseal-west-loop-stainless-travel-mug-with-easy-clean-lid.html> (available at least as early as Feb. 1, 2019).

Contigo, "Autospout Straw Striker Chill," accessed on-line at: <https://www.gocontigo.com/14-oz-autospout-striker-kids-water-bottle.html> (available at least as early as Feb. 1, 2019).

Zojirushi, "Travel Mug SM-YAE48," accessed on-line at: <https://www.zojirushi.com/app/product/smyae> (available at least as early as Feb. 1, 2019).

Zojirushi, "Stainless Mug SM-KC3648," accessed on-line at: <https://www.zojirushi.com/app/product/smkc> (available at least as early as Feb. 1, 2019).

Zojirushi, "Stainless Bottle SJ-JS10," accessed on-line at: <https://www.zojirushi.com/app/product/sjjs> (available at least as early as Feb. 1, 2019).

Zojirushi, "Flip-and-Go Stainless Mug SM-QHE48/60," accessed on-line at: <https://www.zojirushi.com/app/product/smqhe> (available at least as early as Feb. 1, 2019).

Zojirushi, "Stainless Mug SM-TAE48SA, Ichimatsu Collection," accessed on-line at: <https://www.zojirushi.com/app/product/smtae> (available at least as early as Feb. 1, 2019).

Zojirushi, "Stainless Mug SM-TA36/48/60," accessed on-line at: <https://www.zojirushi.com/app/product/smta> (available at least as early as Feb. 1, 2019).

Zojirushi, "Stainless Mug SM-SE36/48/60," accessed on-line at: <https://www.zojirushi.com/app/product/smse> (available at least as early as Feb. 1, 2019).

Zojirushi, "Stainless Mug SM-SD36/48/60," accessed on-line at: <https://www.zojirushi.com/app/product/smsd> (available at least as early as Feb. 1, 2019).

Zojirushi, "Stainless Mug SM-SHE48/60," accessed on-line at: <https://www.zojirushi.com/app/product/smshe> (available at least as early as Feb. 1, 2019).

Zojirushi, "Stainless Mug SM-KHE36/48," accessed on-line at: <https://www.zojirushi.com/app/product/smkhe> (available at least as early as Feb. 1, 2019).

Zojirushi, "Stainless Mug SM-SC36/48/60" accessed on-line at: <https://www.zojirushi.com/app/product/smsc> (available at least as early as Feb. 1, 2019).

Zojirushi, "Stainless Mug SM-KC36148," accessed on-line at: <https://www.zojirushi.com/app/product/smkc> (available at least as early as Feb. 1, 2019).

Zojirushi, "Stainless Mug SM-PC20130," accessed on-line at: <https://www.zojirushi.com/app/product/smpc> (available at least as early as Feb. 1, 2019).

Zojirushi, "Stainless Mug SM-PB30/34," accessed on-line at: <https://www.zojirushi.com/app/product/smpb> (available at least as early as Feb. 1, 2019).

Migo, "Enjoy Sport Water Bottle," accessed on-line at: <https://www.pinterest.ru/pin/12666442685646757/> (available at least as early as Feb. 1, 2019).

Coleman, "Switch SS," accessed on-line at: https://www.coleman.com/all-camp-kitchen/drinkware/switch-ss/col_2038485_pr/COL_2038485 (available at least as early as Feb. 1, 2019).

Corkcicle, "Classic Arctican," accessed on-line at: <https://corkcicle.com/products/classic-arctican?variant=475182759951> (available at least as early as Feb. 1, 2019).

* cited by examiner

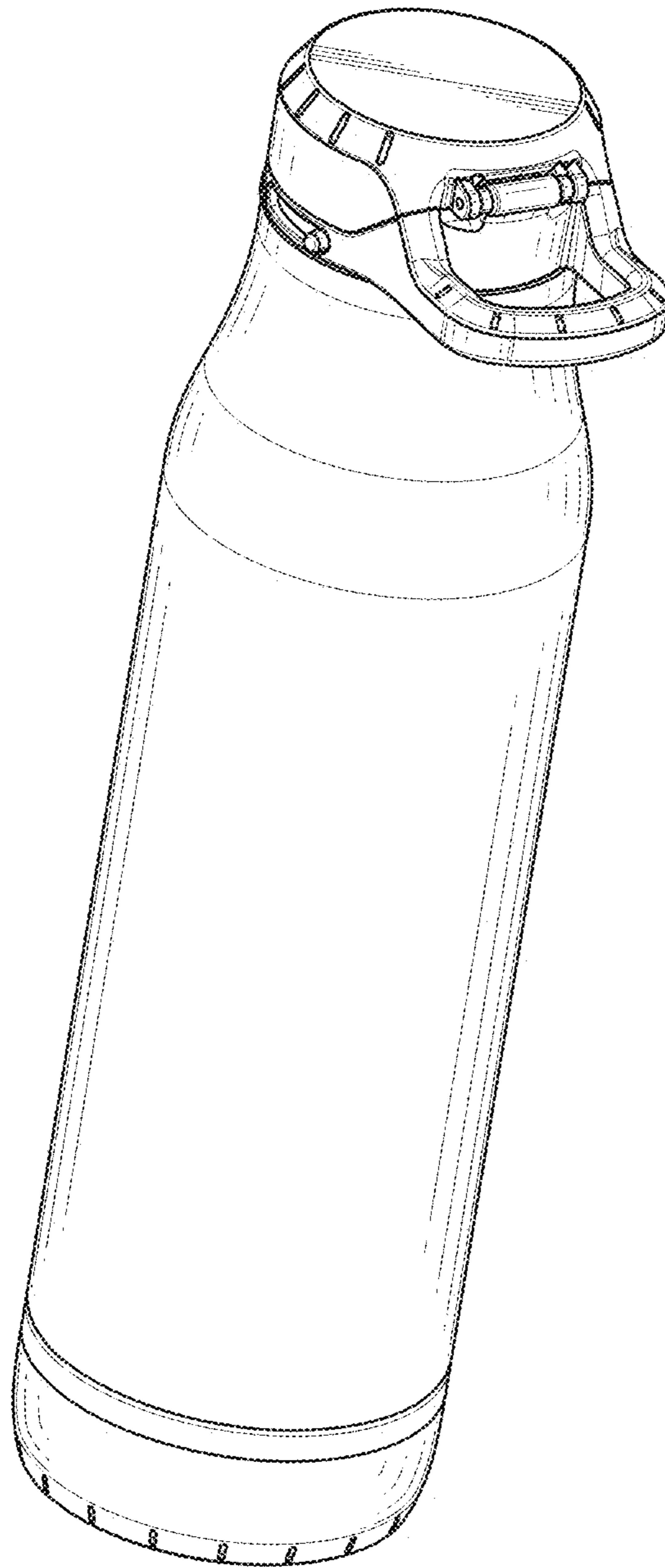


FIG. 1

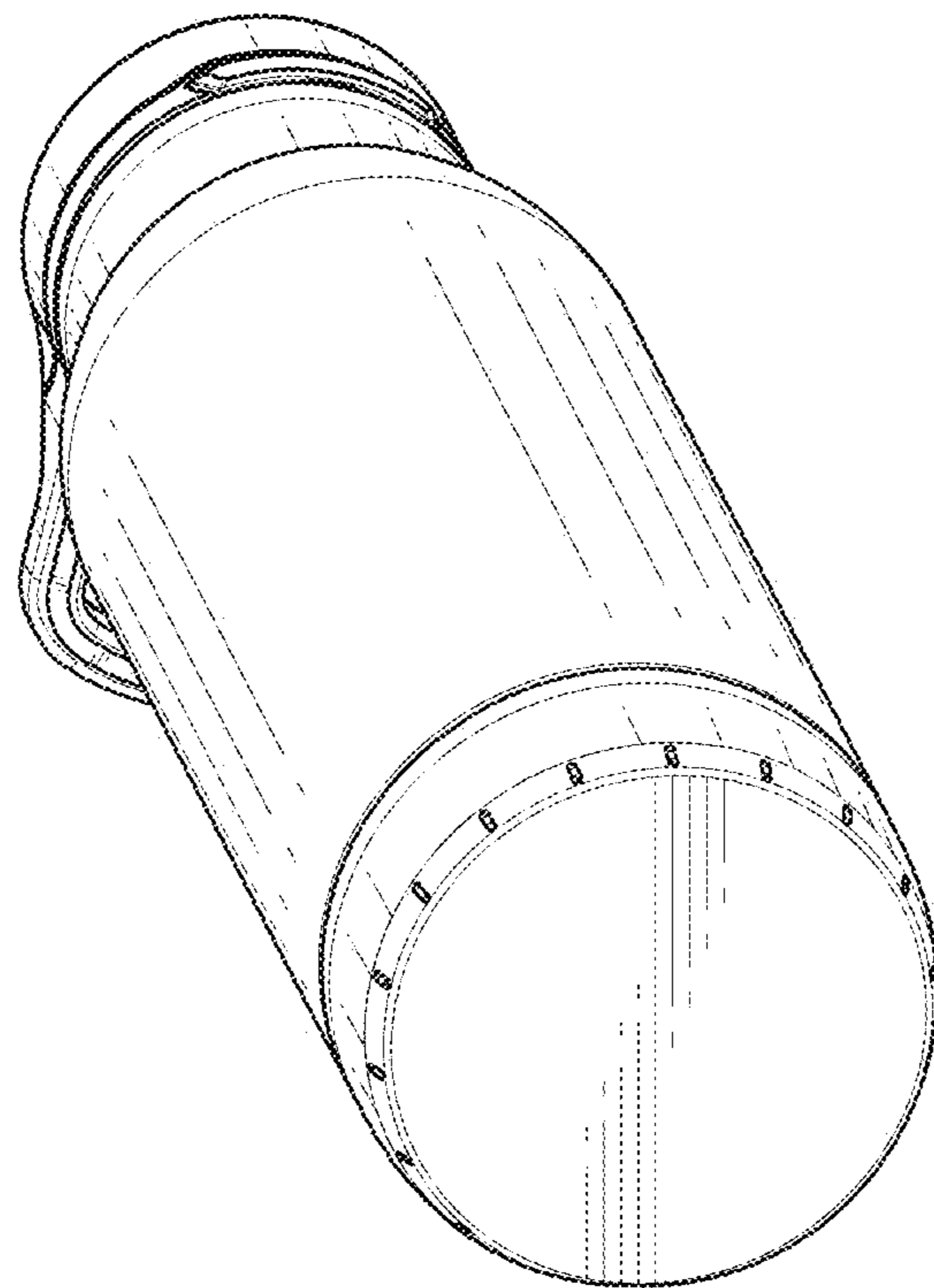


FIG. 2

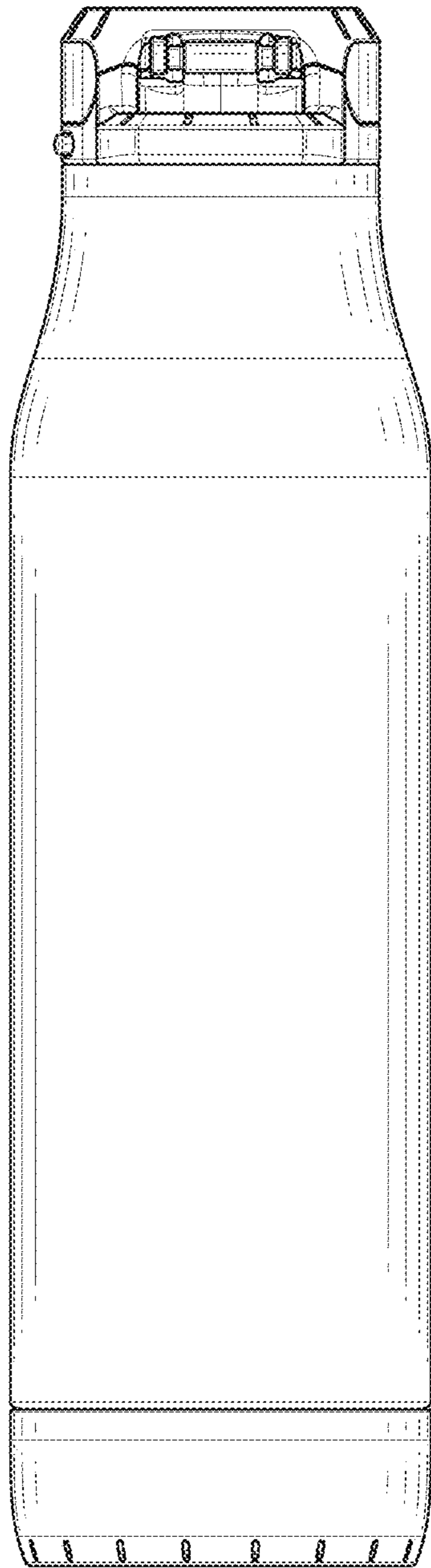


FIG. 3

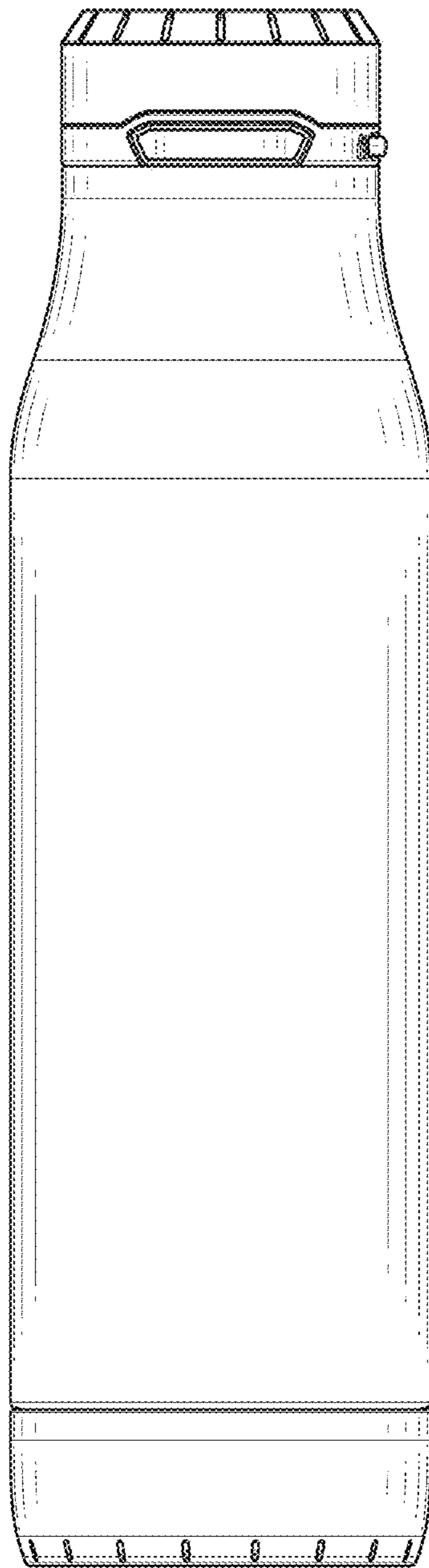


FIG. 4

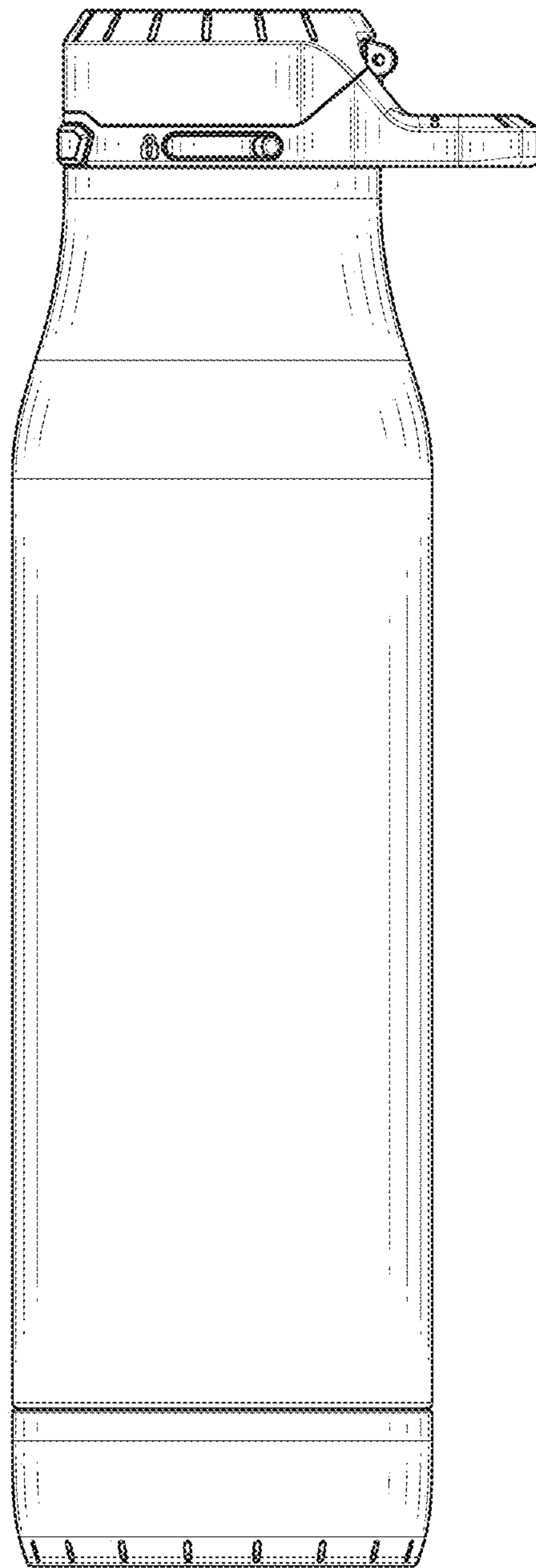


FIG. 5

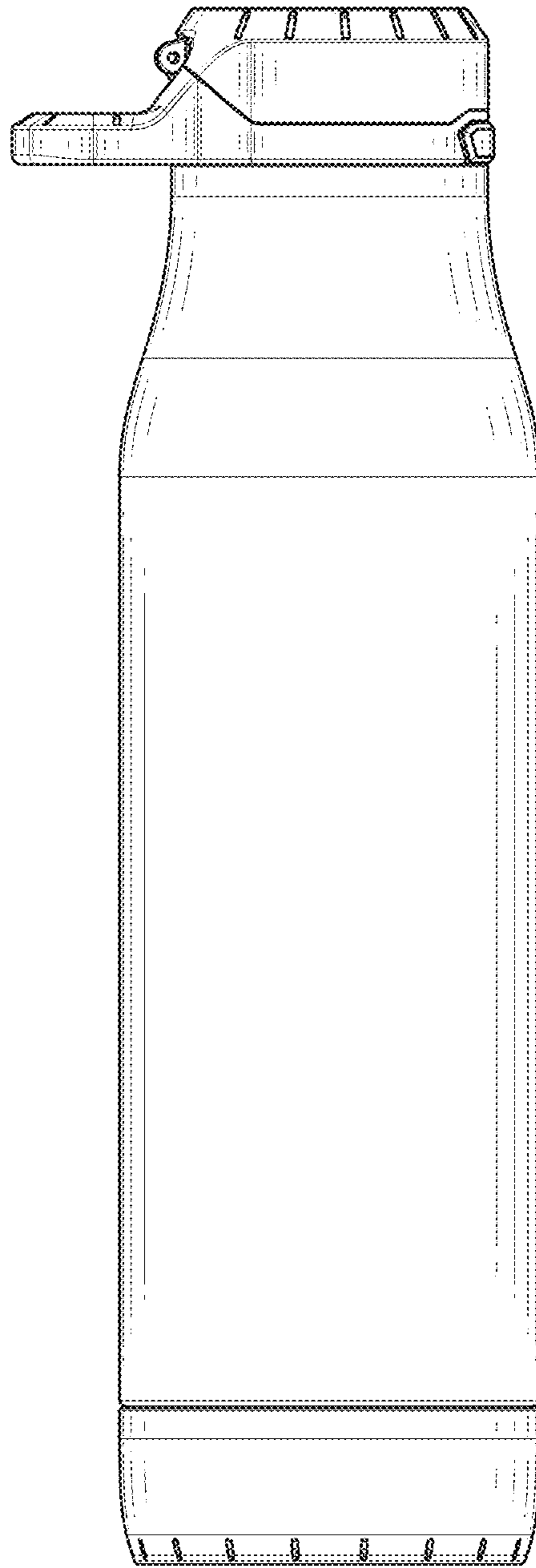


FIG. 6

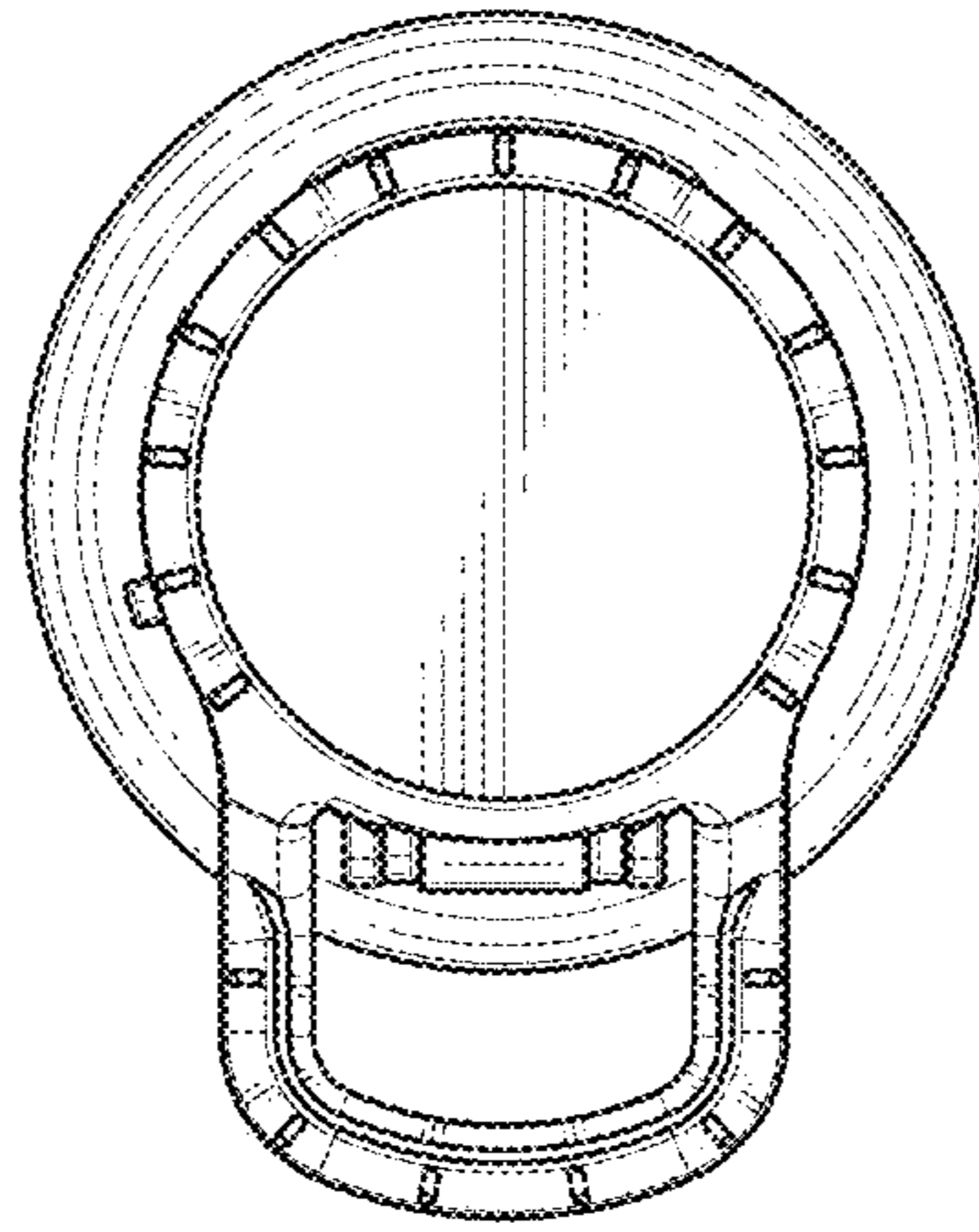


FIG. 7

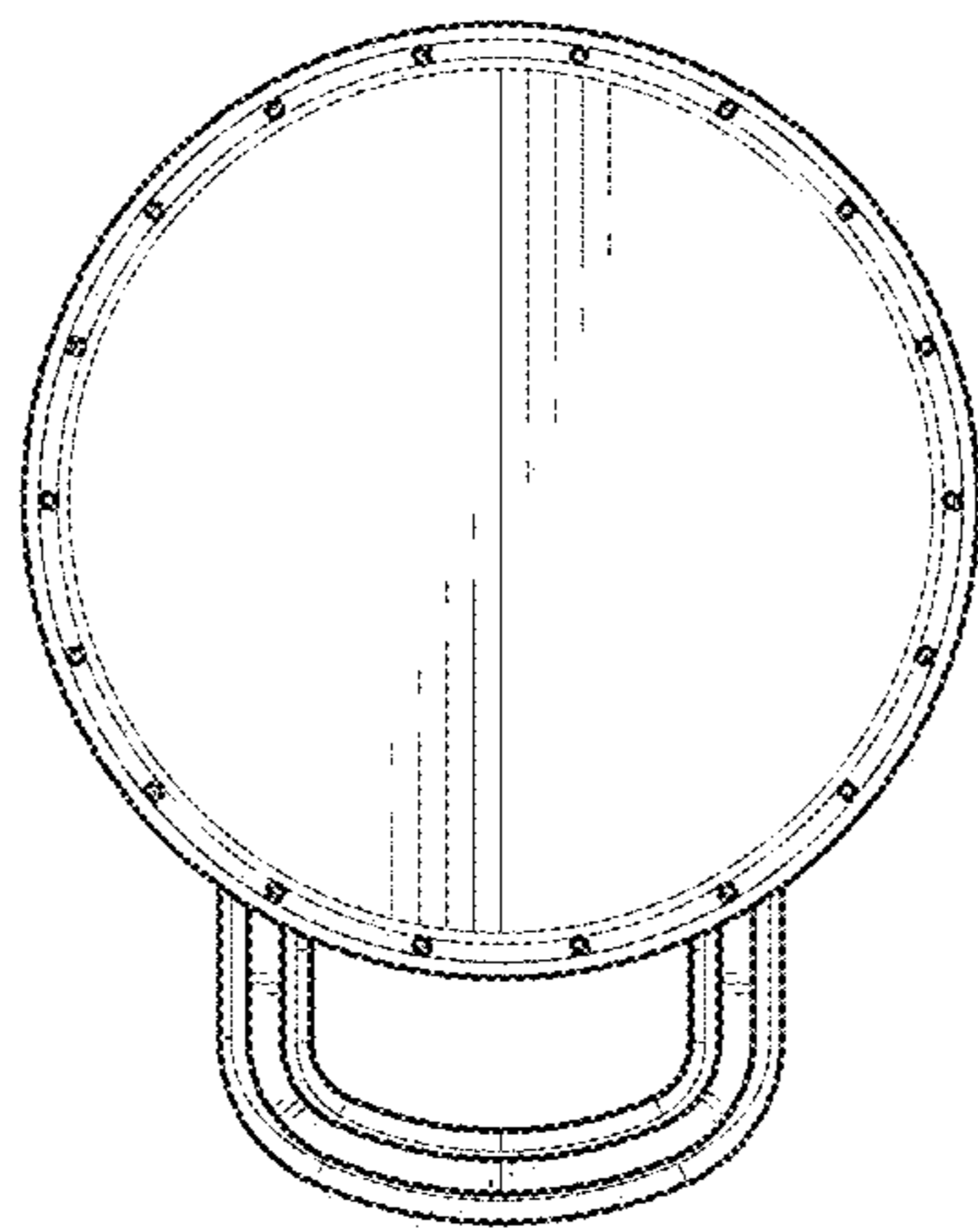


FIG. 8