



US00D931679S

(12) **United States Design Patent** (10) **Patent No.:** **US D931,679 S**
Lee (45) **Date of Patent:** **** Sep. 28, 2021**

(54) **COVER FOR PAN/POT**

(56) **References Cited**

(71) Applicant: **Winnington Metal & Plastic Manufacturing Company Limited**, Hong Kong (CN)
(72) Inventor: **Stuart Harvey Lee**, Hong Kong (CN)
(73) Assignee: **WINNINGTON METAL & PLASTIC MANUFACTURING COMPANY LIMITED**, Hong Kong (CN)

U.S. PATENT DOCUMENTS

D507,931 S *	8/2005	Rae	D7/393
D569,681 S *	5/2008	Rae	D7/391
D641,201 S *	7/2011	Molayem	D7/356
D642,012 S *	7/2011	Rae	D7/394
D643,681 S *	8/2011	Bodum	D7/395
D644,483 S *	9/2011	Rae	D7/394
D664,389 S *	7/2012	Rae	D7/394
D696,899 S *	1/2014	Rae	D7/391
D793,798 S *	8/2017	Carpenter	D7/354
2004/0216620 A1 *	11/2004	Quiggins	A47J 36/08 99/413

(**) Term: **15 Years**

* cited by examiner

(21) Appl. No.: **29/722,251**

Primary Examiner — Ricky Pham

(22) Filed: **Jan. 28, 2020**

(74) *Attorney, Agent, or Firm* — Muncy, Geissler, Olds & Lowe, P.C.

(51) **LOC (13) Cl.** **07-02**

(57) **CLAIM**

(52) **U.S. Cl.**
USPC **D7/391; D7/354**

The ornamental design for a cover for pan/pot, as shown and described.

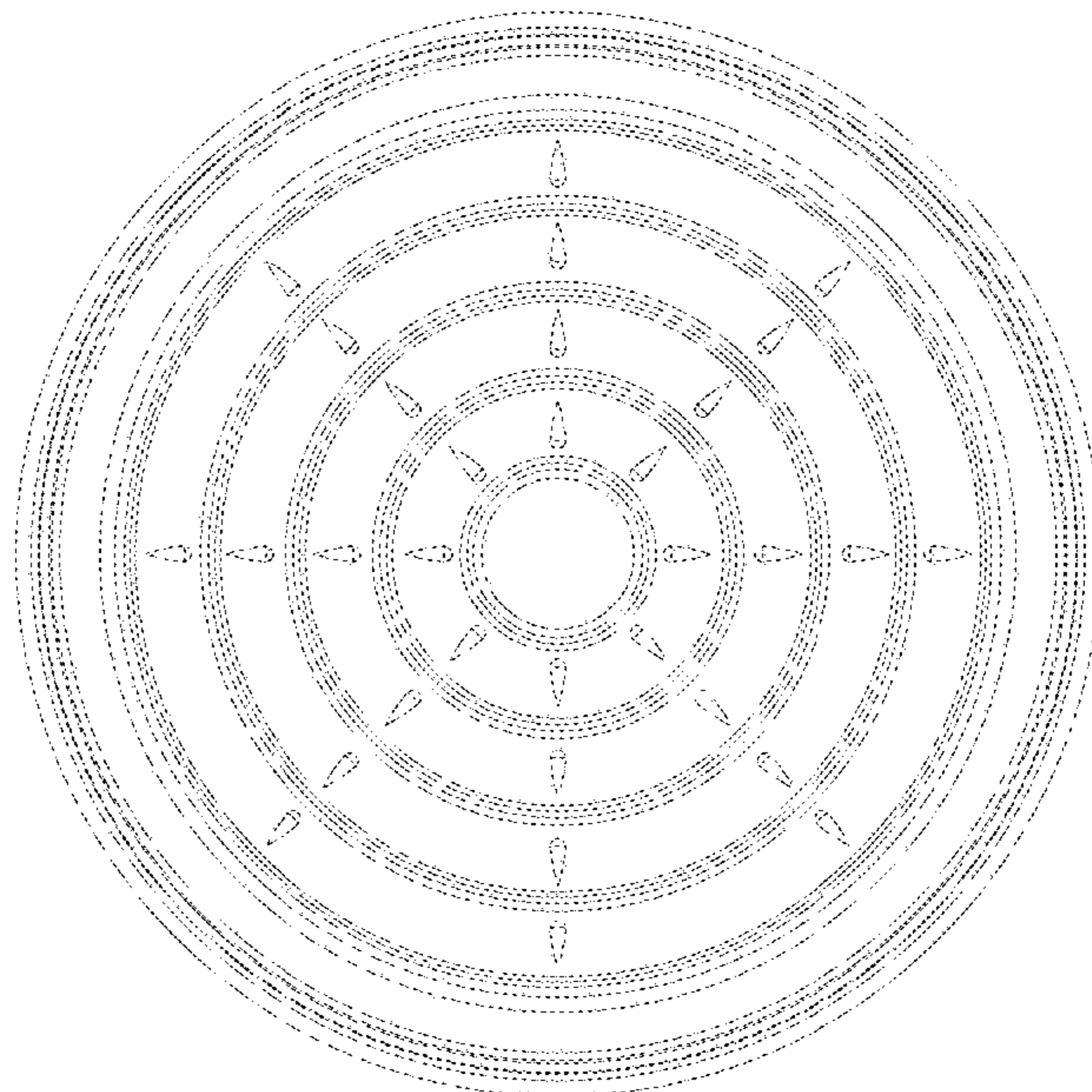
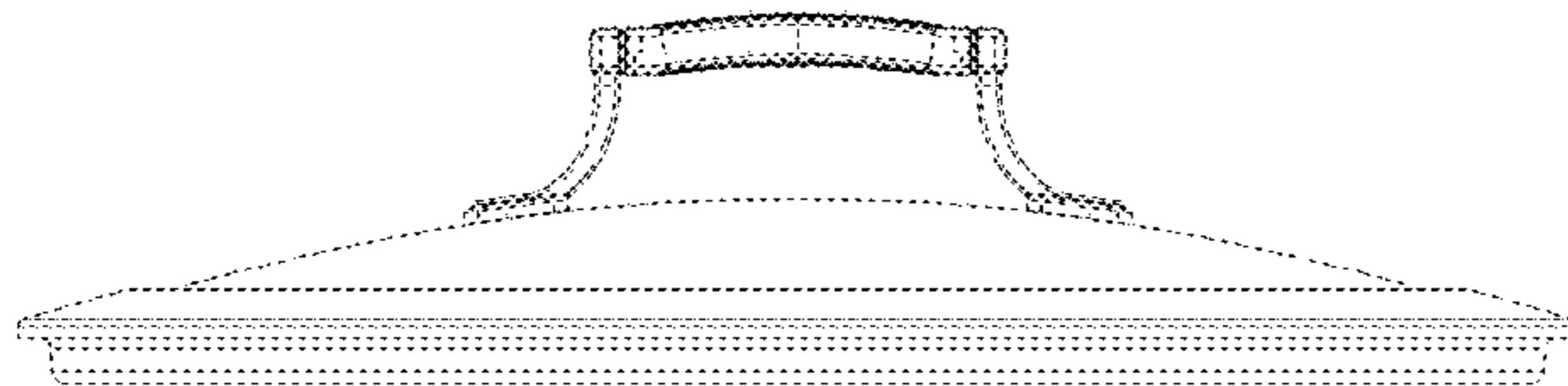
(58) **Field of Classification Search**
USPC D7/323, 354–363, 391, 393–396, 409
CPC A47G 19/12; A47J 27/00; A47J 27/002;
A47J 27/08; A47J 27/21; A47J 27/58;
A47J 36/025; A47J 36/06; A47J 36/08;
A47J 36/12; A47J 37/00; A47J 37/10;
A47J 37/101; A47J 37/103; A47J 37/108;
A47J 37/12; A47J 37/1204; A47J 43/287;
A47J 45/061; A47J 45/062; A47J 45/071;
A47J 45/08; H05B 6/12

DESCRIPTION

FIG. 1 is a front elevational view of a cover for pan/pot showing my new design;
FIG. 2 is a rear elevational view thereof;
FIG. 3 is a left side view thereof;
FIG. 4 is a right side view thereof;
FIG. 5 is a top plan view thereof; and,
FIG. 6 is a bottom plan view thereof.

See application file for complete search history.

1 Claim, 4 Drawing Sheets



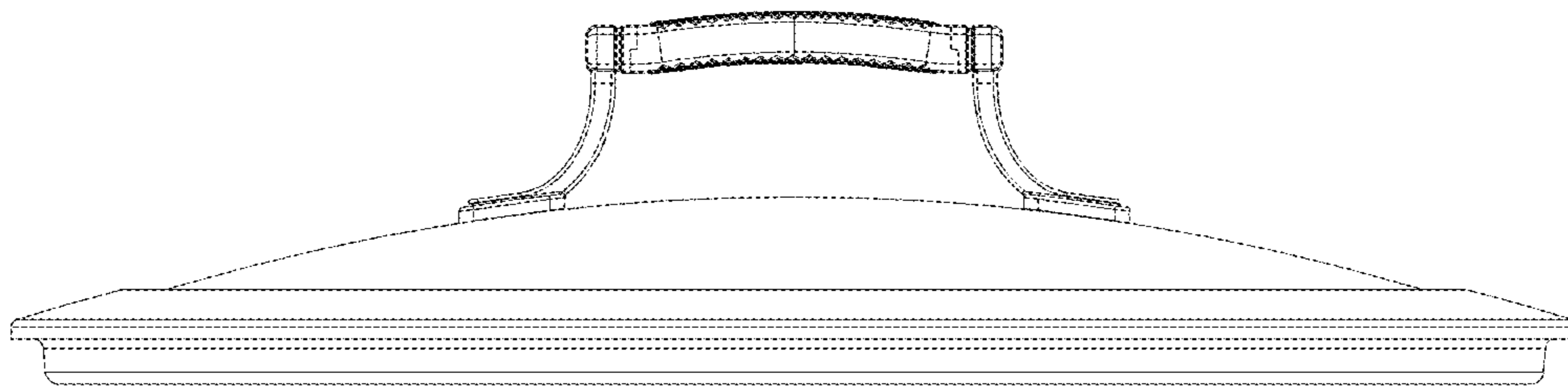


Fig. 1

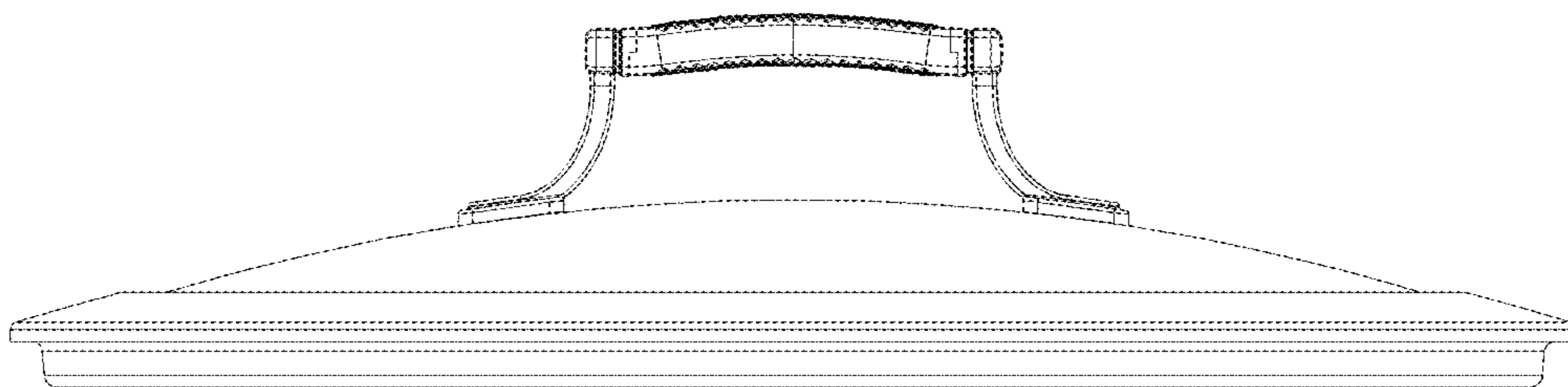


Fig. 2

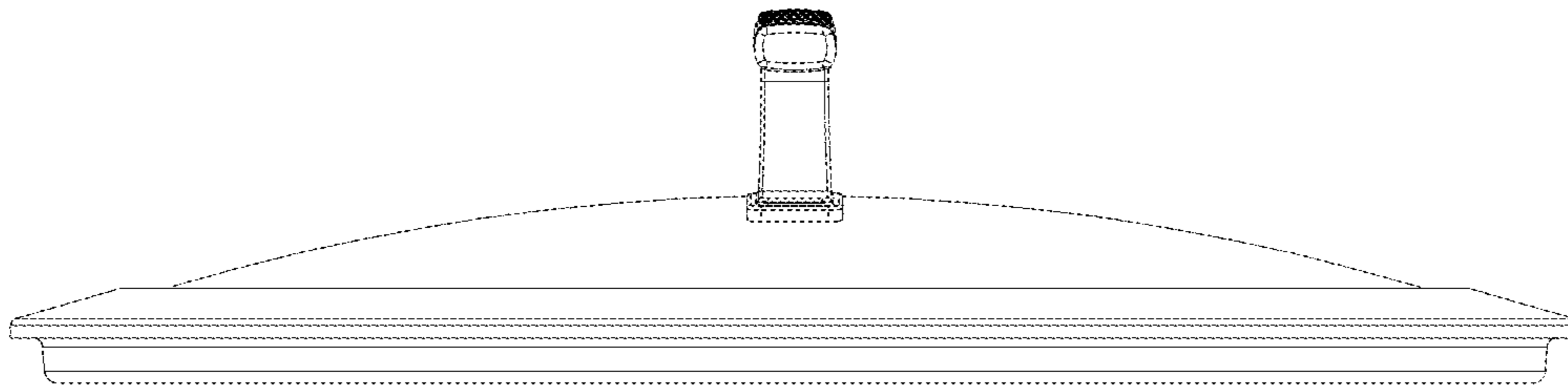


Fig. 3

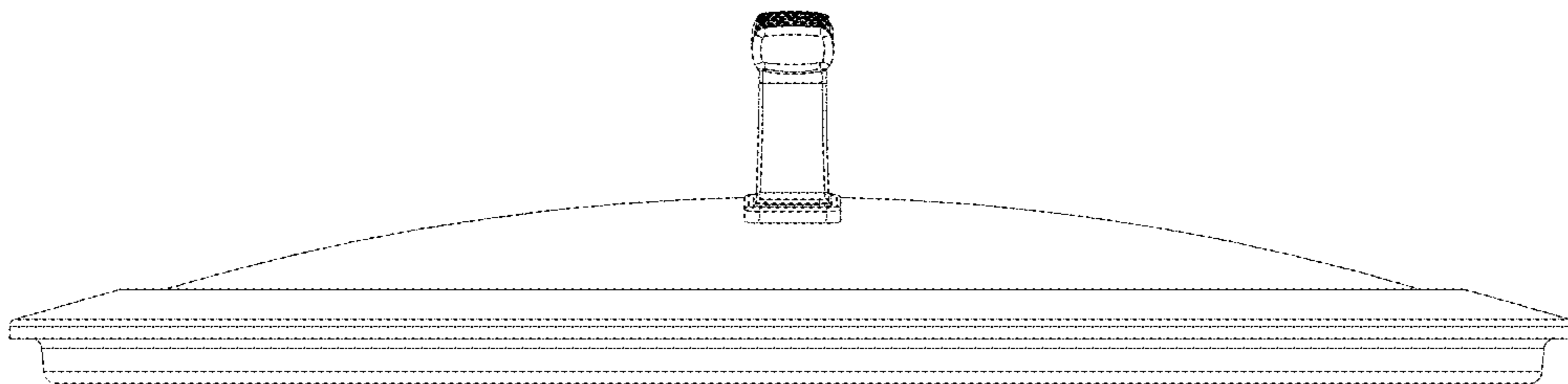


Fig. 4

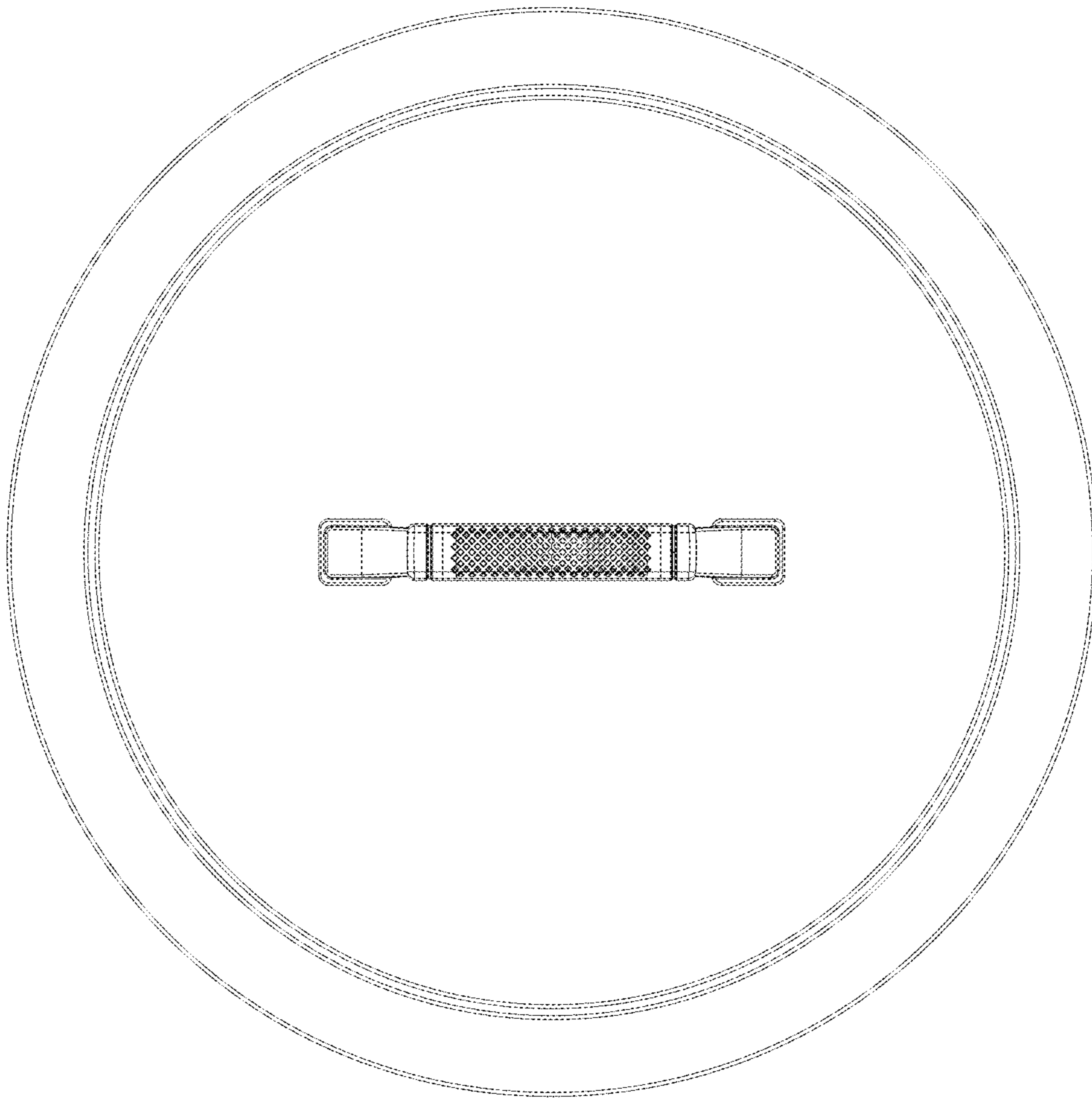


Fig. 5

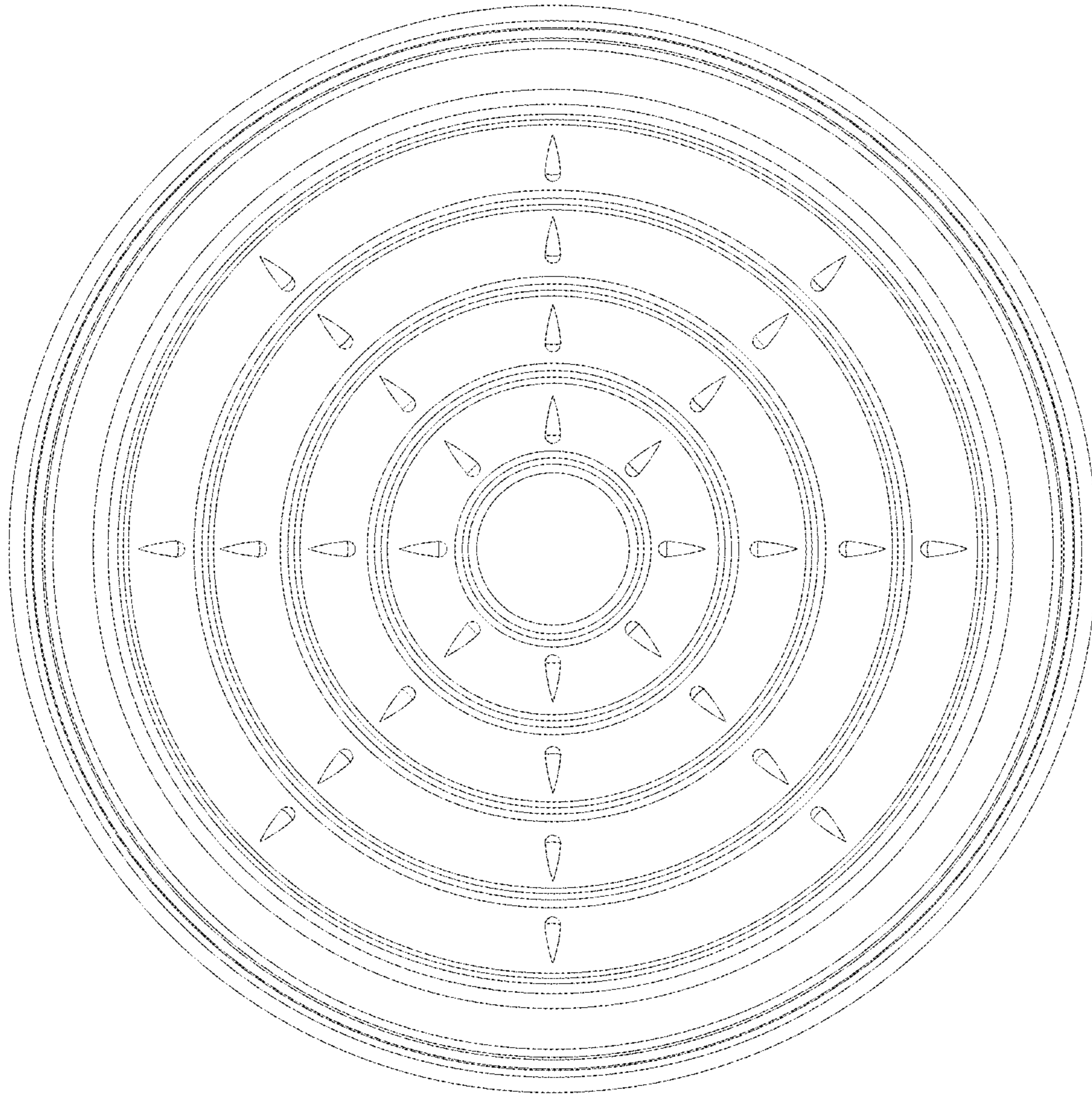


Fig. 6