



US00D931678S

(12) **United States Design Patent**
Walraven

(10) **Patent No.:** **US D931,678 S**

(45) **Date of Patent:** **** Sep. 28, 2021**

(54) **HAND MIXER**

- (71) Applicant: **Hamilton Beach Brands, Inc.**, Glen Allen, VA (US)
- (72) Inventor: **Patrick Walraven**, Richmond, VA (US)
- (73) Assignee: **Hamilton Beach Brands, Inc.**, Glen Allen, VA (US)
- (**) Term: **15 Years**

- (21) Appl. No.: **29/741,239**
- (22) Filed: **Jul. 10, 2020**
- (51) **LOC (13) Cl.** **31-00**
- (52) **U.S. Cl.**
USPC **D7/379; D7/376**
- (58) **Field of Classification Search**
USPC D7/372, 376-386, 412-413, 602, 629,
D7/665-666, 669, 679, 693-694
CPC A21C 1/02; A21C 1/04; A23N 1/00; A23N
1/02; A47J 43/04; A47J 43/25; A47J
43/27; A47J 43/042; A47J 43/044; A47J
43/046; A47J 43/06; A47J 43/075; A47J
43/0722; A47J 43/0727; A47J 43/0705;
A47J 43/287; B01F 3/00; B01F 3/0807;
B01F 3/0853; B01F 13/0059; B01F
13/0064; B02C 1/08; B02C 2/04; B02C
4/42; B02C 4/142; B02C 4/143; B02C
4/423; B02C 13/1835; B28C 5/10; B28C
5/12; B28C 5/14; B28C 5/16

See application file for complete search history.

(56) **References Cited**

U.S. PATENT DOCUMENTS

D367,400 S *	2/1996	Viemeister	D7/379
D400,049 S *	10/1998	Wanat	D7/379
D593,360 S *	6/2009	Lee	D7/379
D665,223 S *	8/2012	Haley	D7/379
D665,224 S *	8/2012	Benoit	D7/379
D703,480 S *	4/2014	Lownds	D7/379
D756,165 S *	5/2016	Lee	D7/379
D859,912 S *	9/2019	Powell	D7/379

* cited by examiner

Primary Examiner — Ricky Pham

(74) *Attorney, Agent, or Firm* — Alexander D. Raring

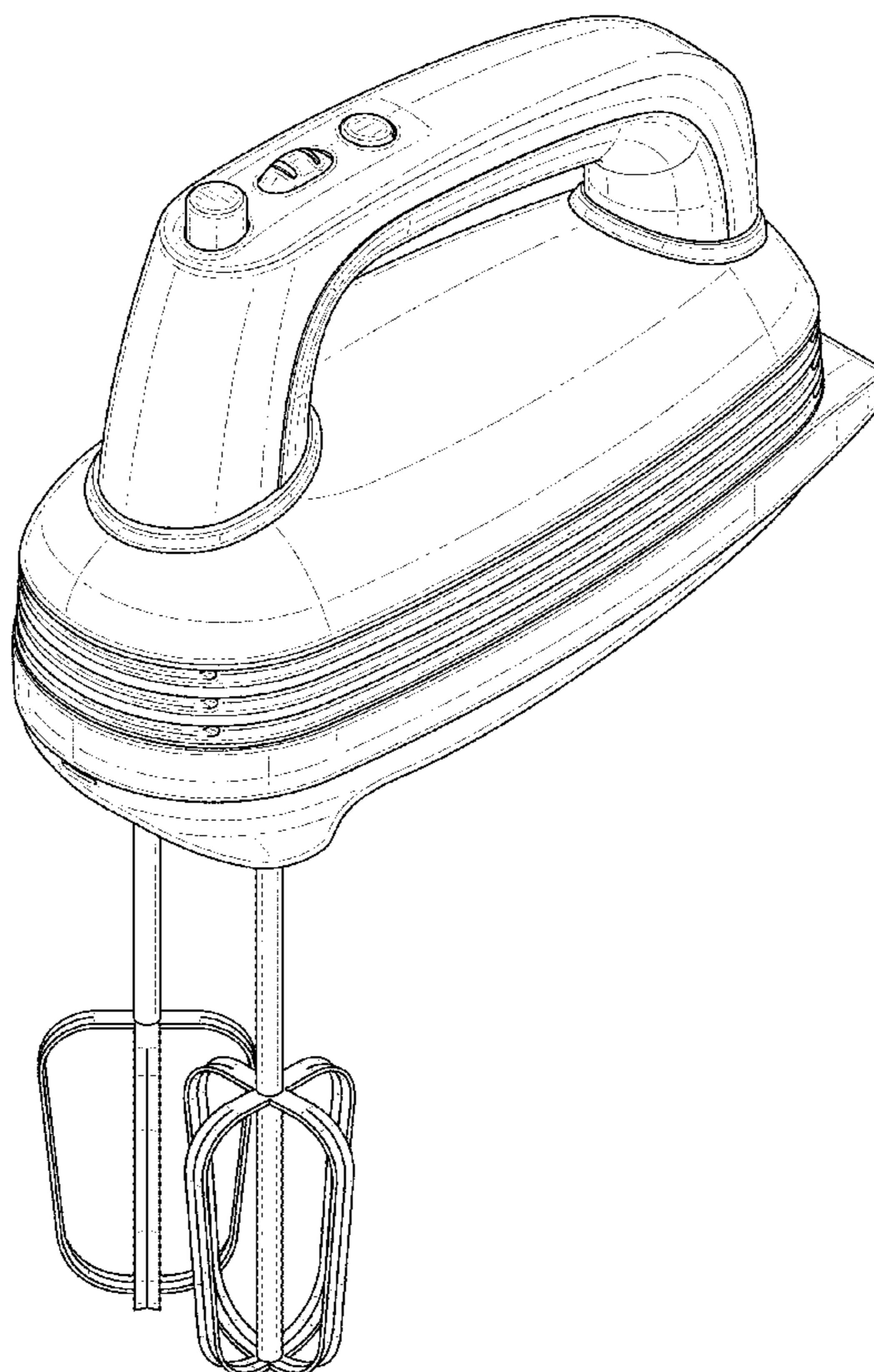
(57) **CLAIM**

The ornamental design for a hand mixer, as shown and described.

DESCRIPTION

FIG. 1 is a top, right and front perspective view of a hand mixer showing the new design;
 FIG. 2 is a front view thereof;
 FIG. 3 is a rear view thereof;
 FIG. 4 is a left side view thereof;
 FIG. 5 is a right side view thereof;
 FIG. 6 is a top view thereof; and,
 FIG. 7 is a bottom view thereof.

1 Claim, 7 Drawing Sheets



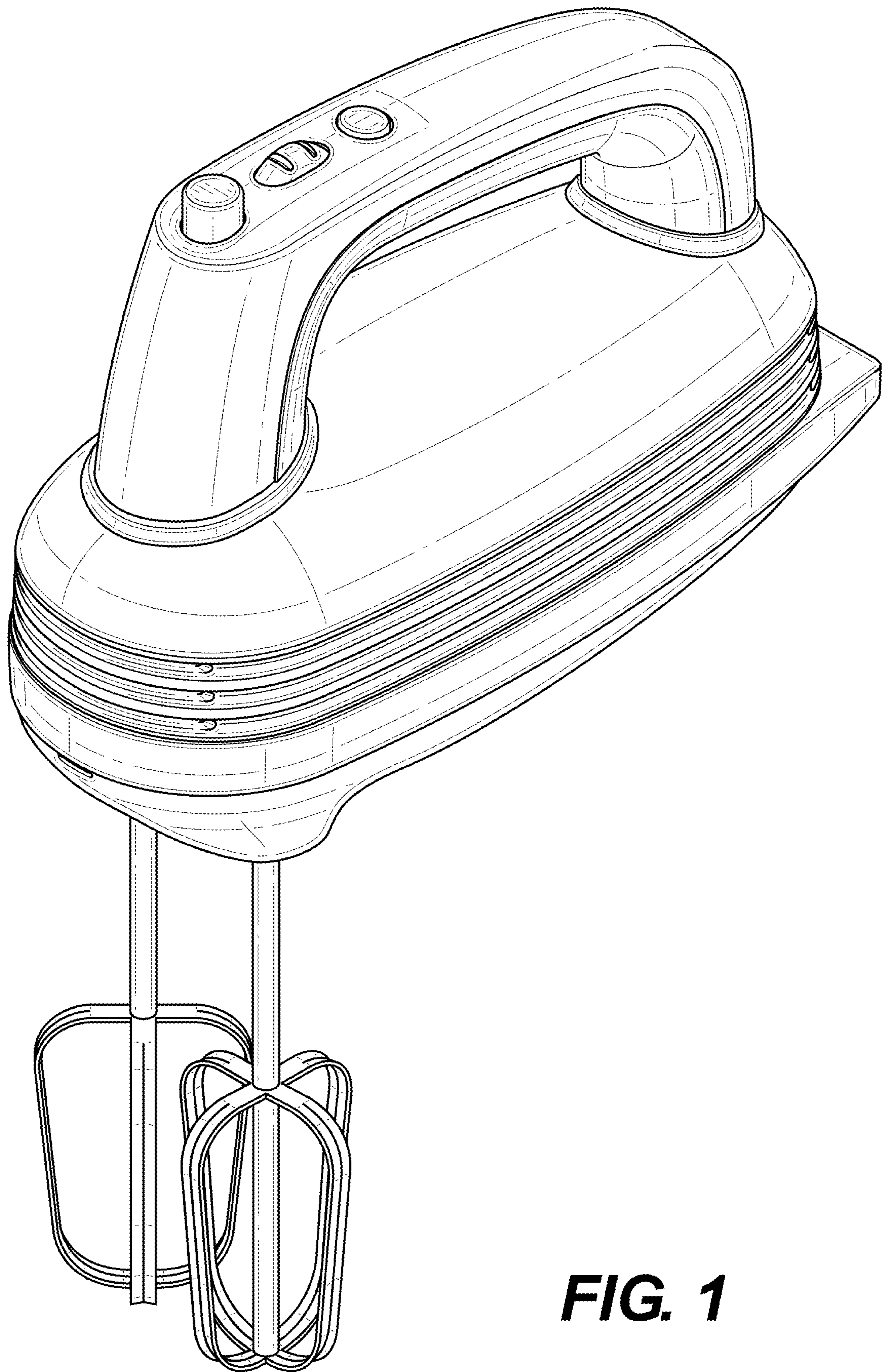


FIG. 1

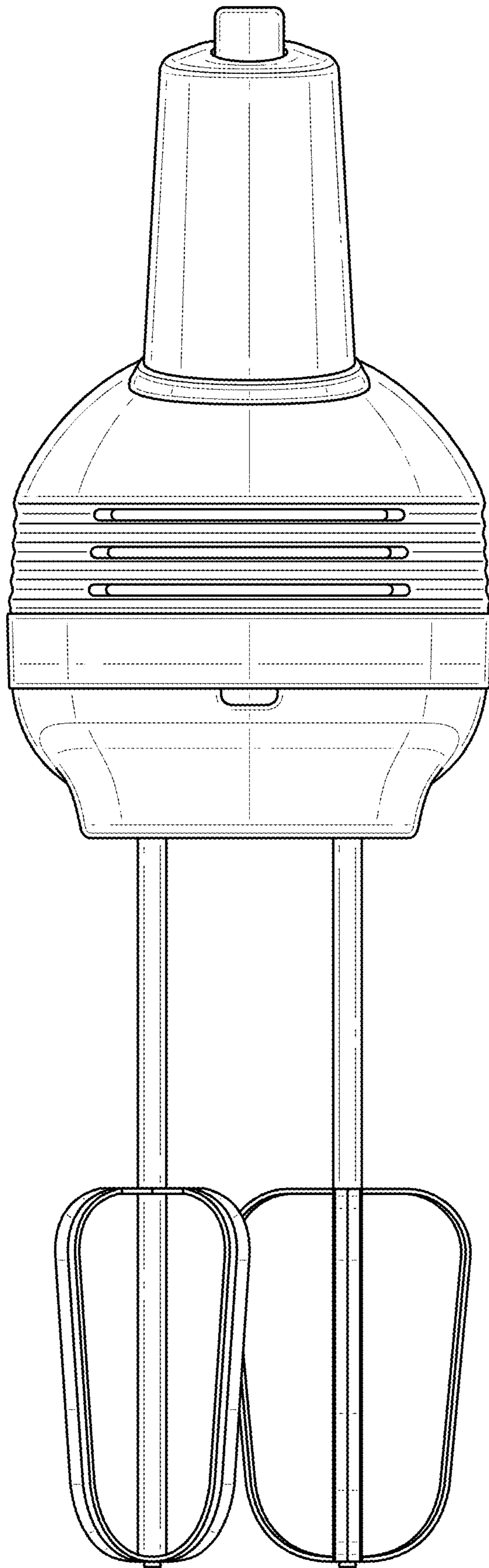


FIG. 2

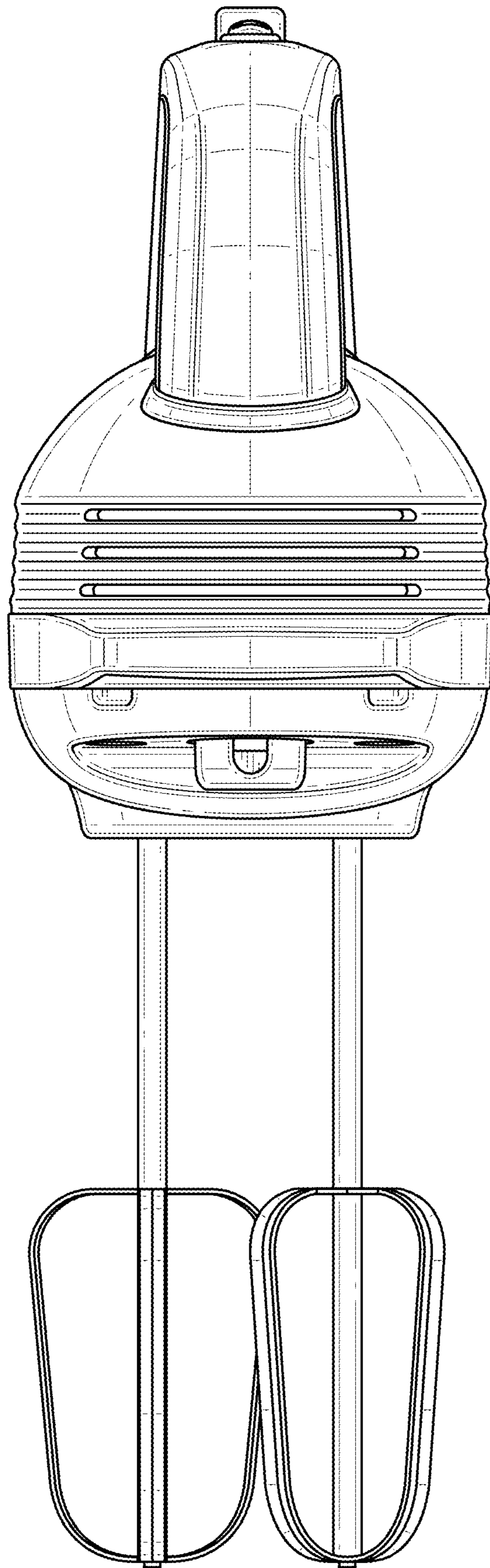


FIG. 3

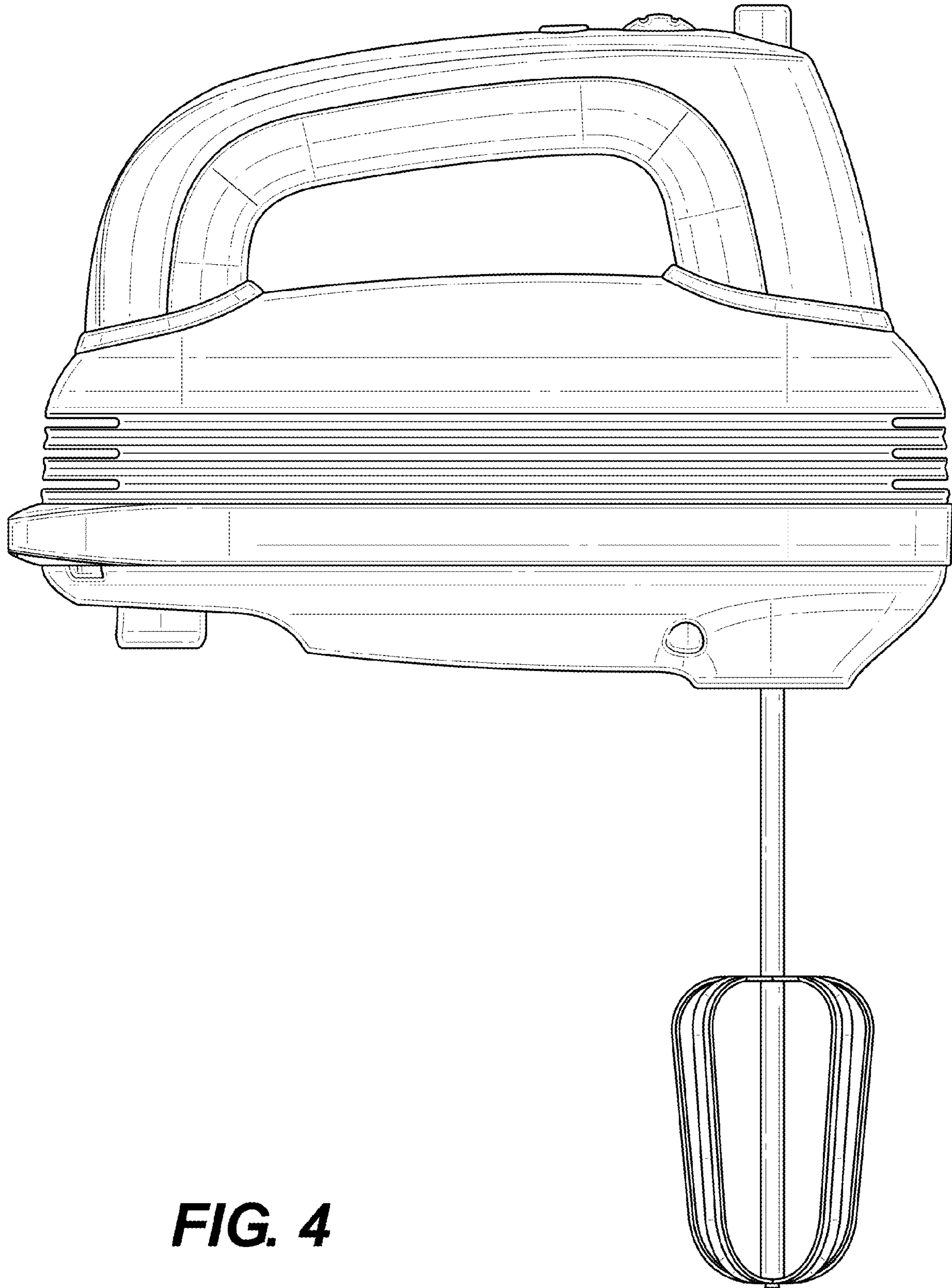


FIG. 4

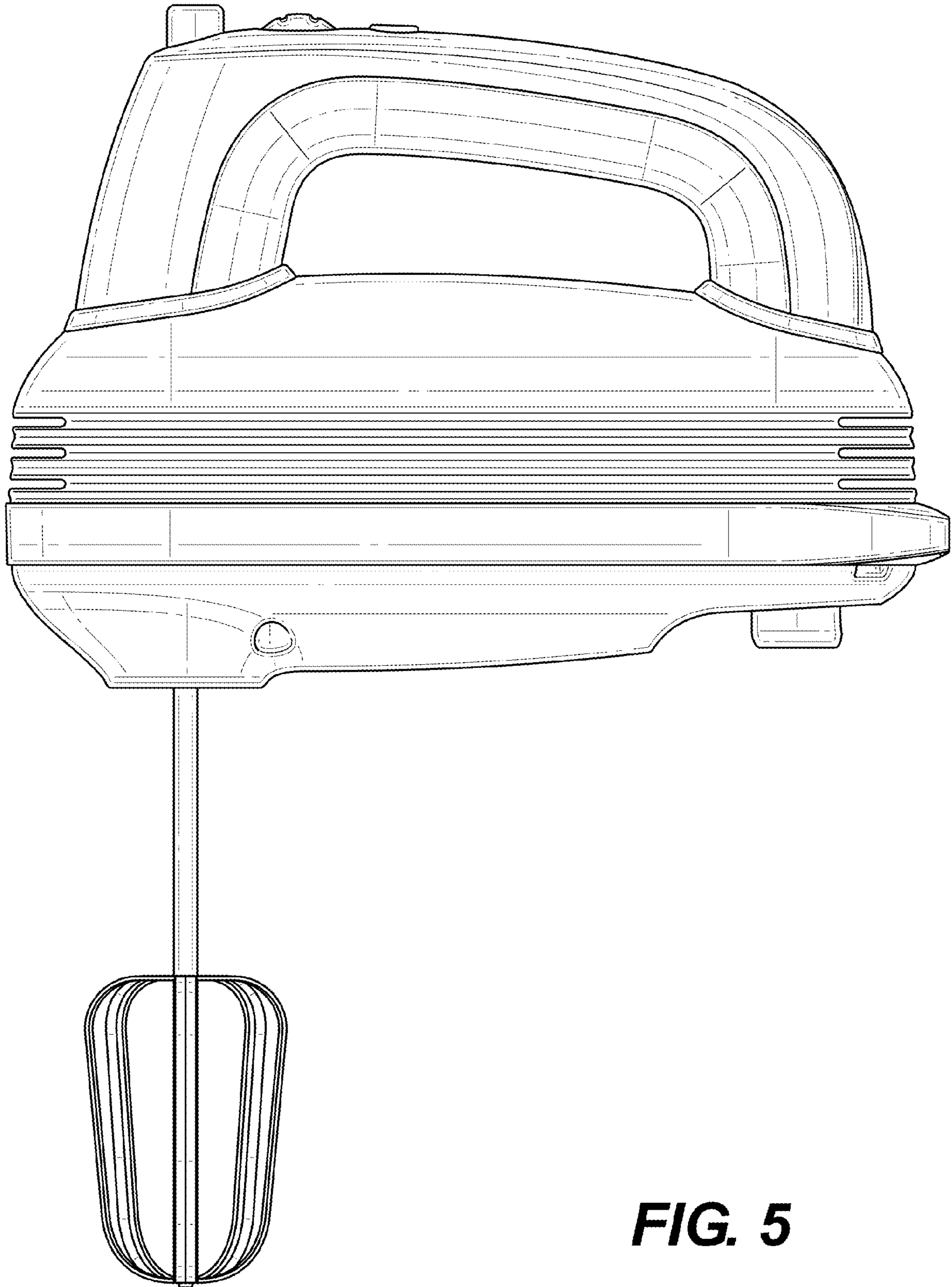


FIG. 5

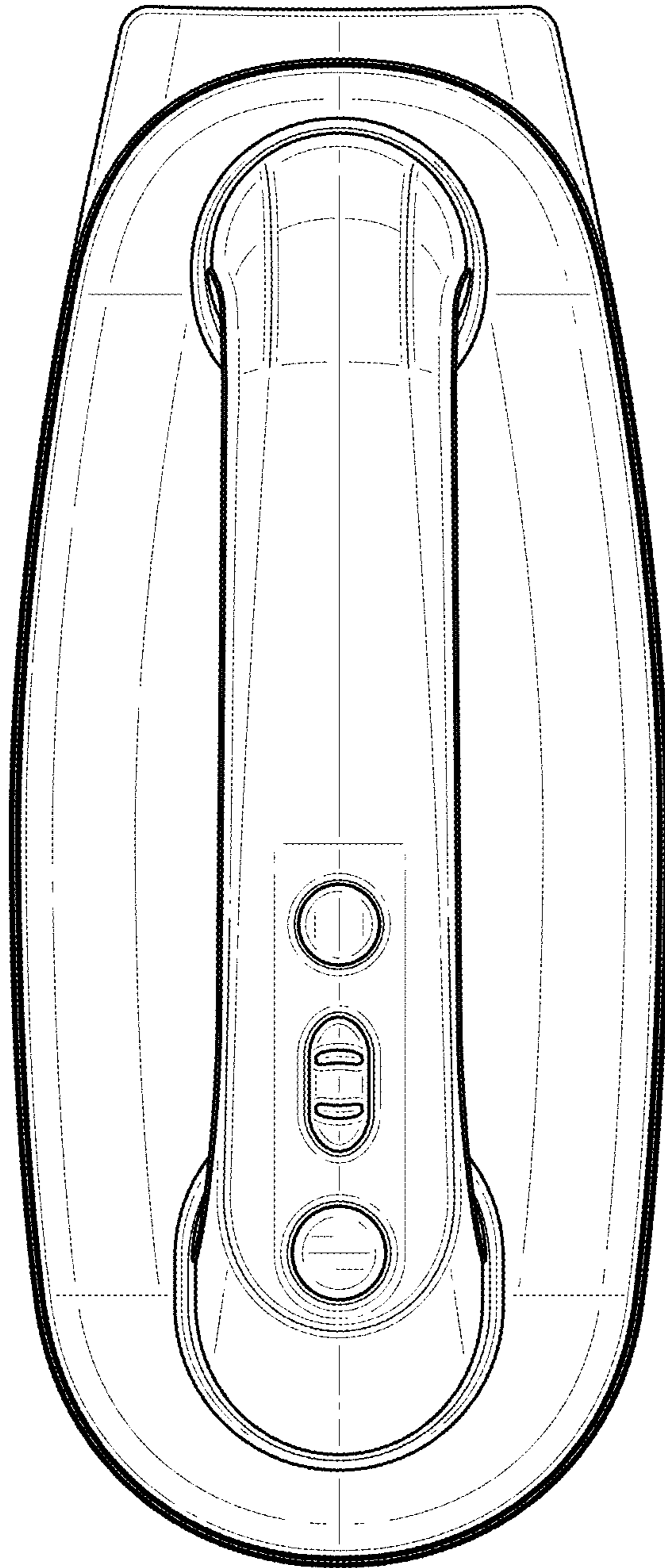


FIG. 6

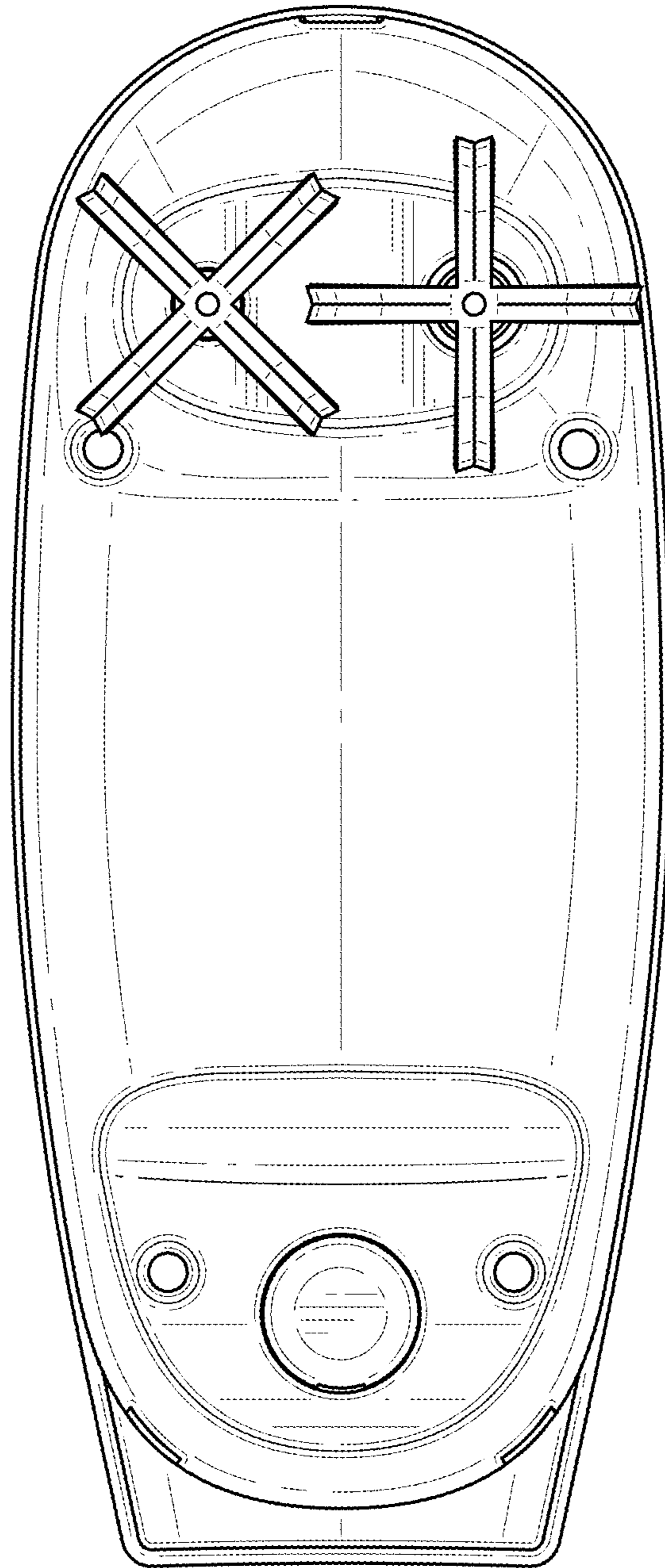


FIG. 7