



US00D931677S

(12) **United States Design Patent**
Cossu

(10) **Patent No.:** **US D931,677 S**

(45) **Date of Patent:** **** Sep. 28, 2021**

(54) **POT**

(71) Applicant: **Bormioli Rocco S.p.A.**, Fidenza (IT)

(72) Inventor: **Gabriele Cossu**, Capterra (IT)

(73) Assignee: **BORMIOLI ROCCO S.P.A.**, Fidenza (IT)

(**) Term: **15 Years**

(21) Appl. No.: **29/730,654**

(22) Filed: **Apr. 7, 2020**

(30) **Foreign Application Priority Data**

Nov. 26, 2019 (EP) 007299680

(51) **LOC (13) Cl.** **07-02**

(52) **U.S. Cl.**
USPC **D7/360**

(58) **Field of Classification Search**

USPC D7/323, 331, 352, 354, 355, 356, 357,
D7/359, 360, 361, 362, 363, 364, 365,
D7/366, 402, 409, 410; D3/304;
D9/736, 749, 755, 758, 760, 456;
D1/105, 123, 124

CPC .. A21B 3/00; A21B 3/13; A21B 3/131; A21B
3/132; A21B 3/135; A21B 3/136; A21B
3/137; A21B 3/15; A21B 5/00; A21B
5/02; A21B 5/04; A47J 29/00; A47J
29/02; A47J 29/06; A47J 36/00; A47J
36/02; A47J 36/06; A47J 36/16; A47J
36/24; A47J 36/022; A47J 36/027; A47J
37/00; A47J 37/01; A47J 37/04; A47J
37/06; A47J 37/10; A47J 37/07; A47J
43/20

See application file for complete search history.

(56) **References Cited**

U.S. PATENT DOCUMENTS

D325,684 S * 4/1992 Deare D30/129
D460,316 S * 7/2002 Coudurier D7/360

D484,745 S * 1/2004 Watson D7/545
D653,910 S * 2/2012 Stamper D7/543
D717,585 S * 11/2014 Moser D7/360
D794,375 S * 8/2017 Fukushima D7/310
D811,800 S * 3/2018 Workman D7/360
D837,584 S * 1/2019 Chang D7/360
D880,221 S * 4/2020 Hollinger D7/360

(Continued)

FOREIGN PATENT DOCUMENTS

CN 300746827 * 2/2008
EP 998869 A1 * 5/2000

(Continued)

OTHER PUBLICATIONS

Bormioli Rocco Buffet Saucepan, announced Dec. 17, 2019 [online],
retrieved Jun. 30, 2021, retrieved from internet, <https://www.amazon.com/Bormioli-Rocco-092561-Saucepan-Transparent/dp/B082FNT13P>.*

(Continued)

Primary Examiner — Dana K Weiland
Assistant Examiner — Messina L Smith

(74) *Attorney, Agent, or Firm* — Andrew F. Young; Nolte
Lackebach Siegel

(57) **CLAIM**

The ornamental design for a pot, as shown and described.

DESCRIPTION

FIG. 1 is a front top perspective view of a pot showing the
new design.

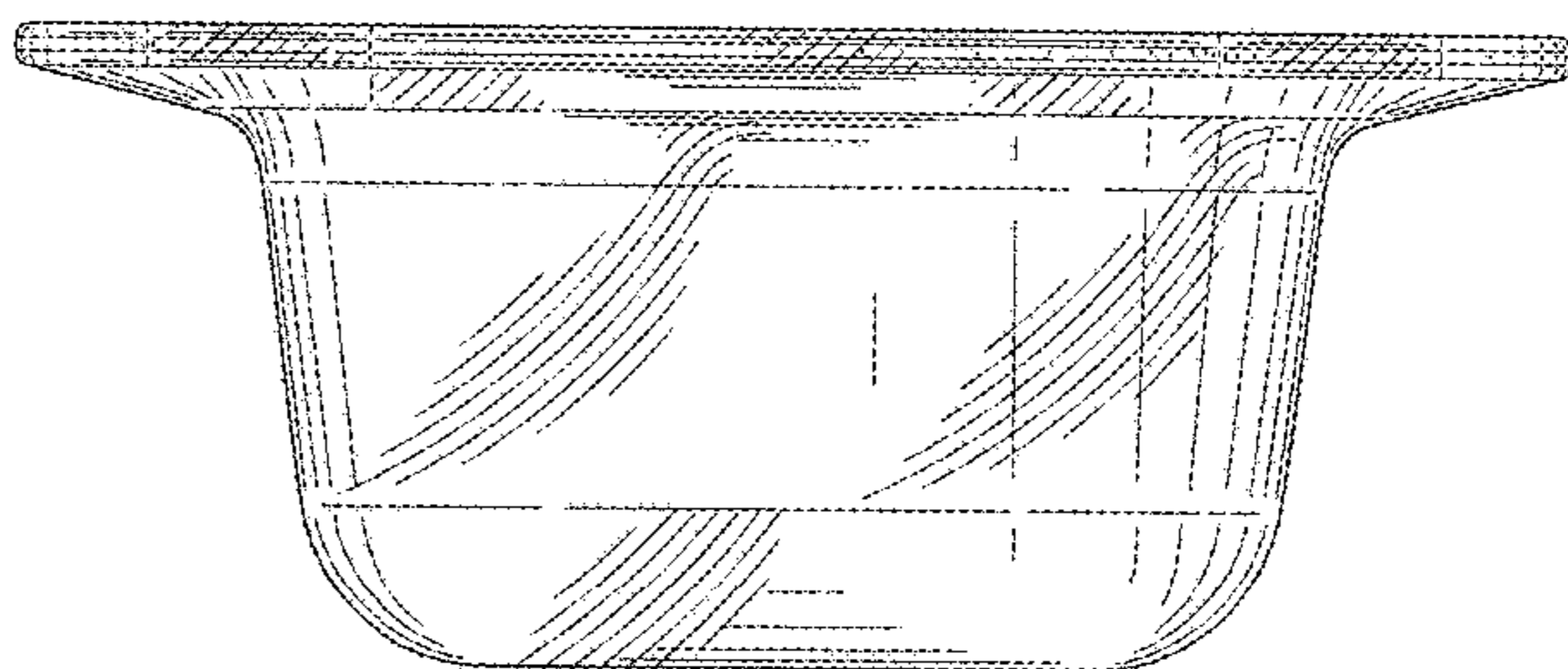
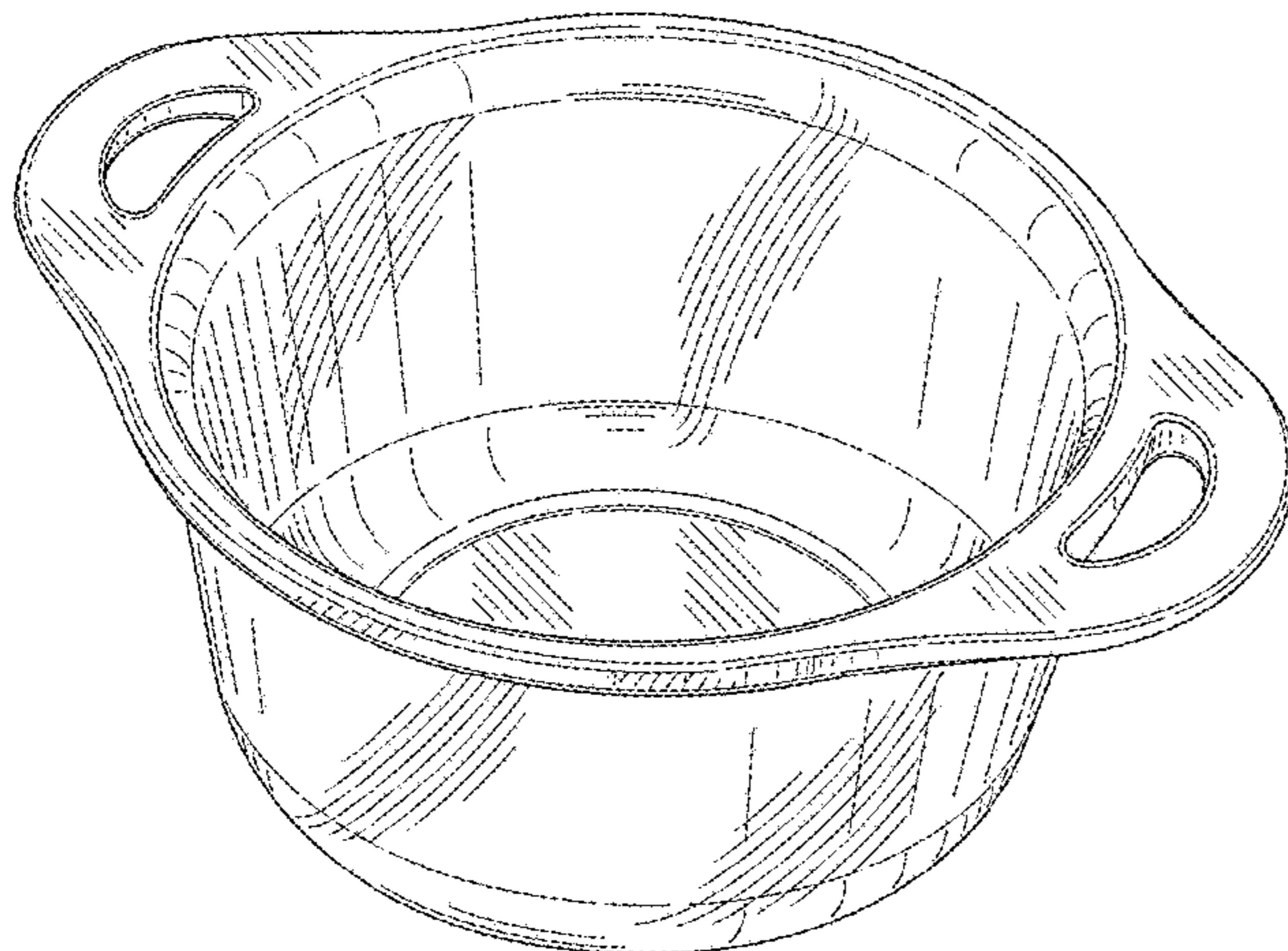
FIG. 2 is a front elevation view thereof, the rear elevation
view is a mirror image.

FIG. 3 is a right side elevation view thereof, the left side
elevation view is a mirror image.

FIG. 4 is a top plan view thereof; and,

FIG. 5 is a bottom plan view thereof.

1 Claim, 5 Drawing Sheets



(56)

References Cited

U.S. PATENT DOCUMENTS

D892,537 S * 8/2020 Watanabe D7/360
D915,124 S * 4/2021 Vallee D7/354
D919,351 S * 5/2021 Dorion D7/354
2018/0263411 A1* 9/2018 Stuart A47J 37/0786

FOREIGN PATENT DOCUMENTS

GB 9007299680-0002 * 11/2019
IN 282572-0001 * 4/2016
JP 2014008319 A * 1/2014
WO D069170-006 * 3/2007
WO D073188-005 * 12/2009

OTHER PUBLICATIONS

Elite Global Solutions Merced Round Casserole Dish with Lug
Handles, announced 1© 2003-2021 [online], retrieved Jun. 30,

2021, retrieved from internet, <https://www.webstaurantstore.com/elite-global-solutions-merced-d5r-white-14-oz-round-casserole-dish-with-lug-handles-case/330D5RW.html>.*

American Blue Round Casserole Dish, announced Aug. 3, 2020 [online], retrieved Jun. 30, 2021, retrieved from internet, <https://emersoncreekpottery.com/product/american-blue-round-casserole-dish/>.*

Emerald Berlinger Haus Cast Iron Round Casserole Dish with Lid, announced Apr. 5, 2021 [online], retrieved Jun. 30, 2021, retrieved from internet, <https://www.wayfair.com/kitchen-tabletop/pdp/berlinger-haus-cast-iron-round-casserole-dish-with-lid-arli1131.html>.*

American Metalcraft CIPR6250 Small Round Casserole Dish, announced © 2021 [online], retrieved Jun. 30, 2021, retrieved from internet, <https://chefstoys.com/35551/american-metalcraft-cipr6250-18-2-oz-small-round-casserole-dish-35551>.*

Chantal “Make & Take” Covered Round Casserole Dish, announced © 2021 [online], retrieved Jun. 30, 2021, retrieved from internet, <https://www.walmart.com/ip/Chantal-Make-Take-Covered-Round-Casserole-Dish-1-75-QT-White/138848388>.*

* cited by examiner

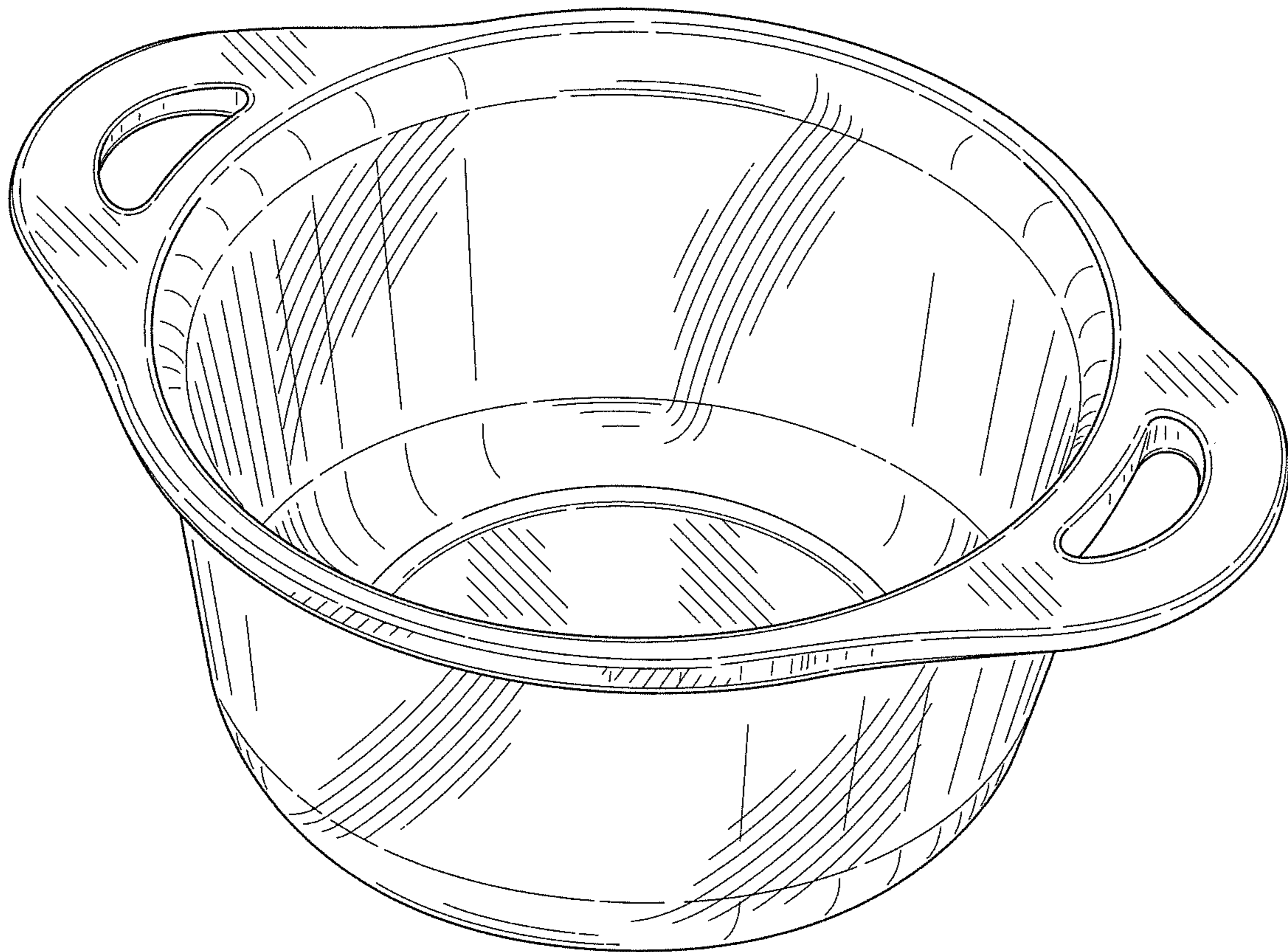


FIG. 1

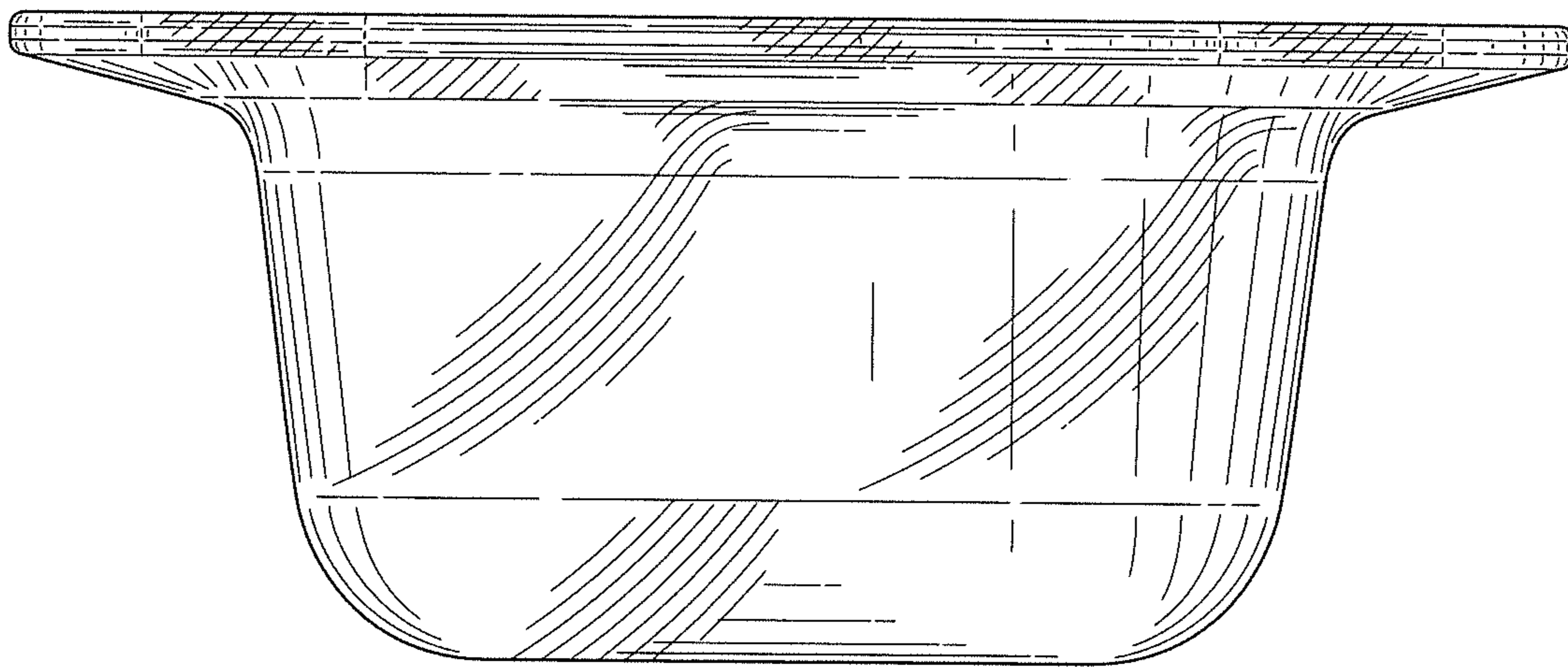


FIG. 2

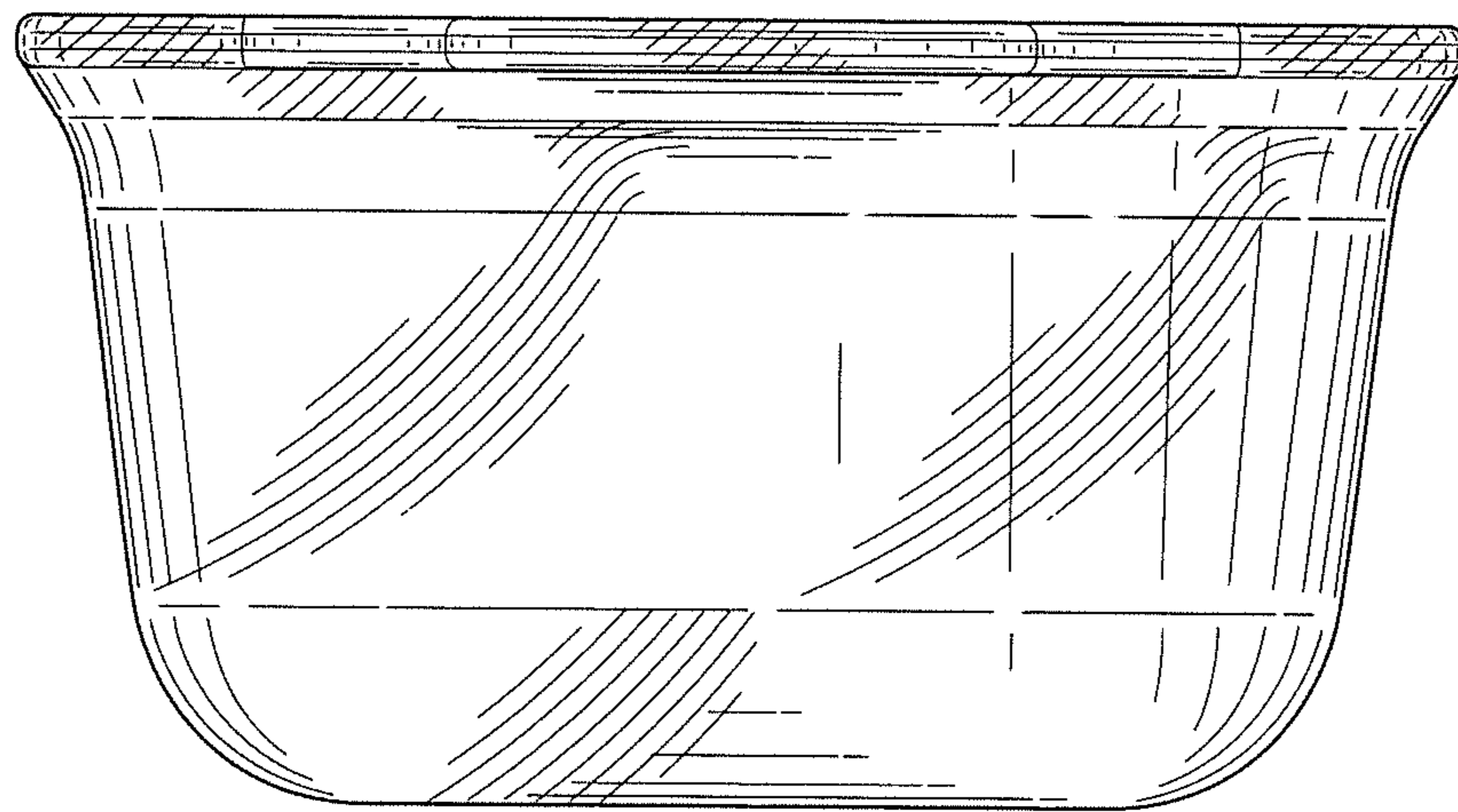


FIG. 3

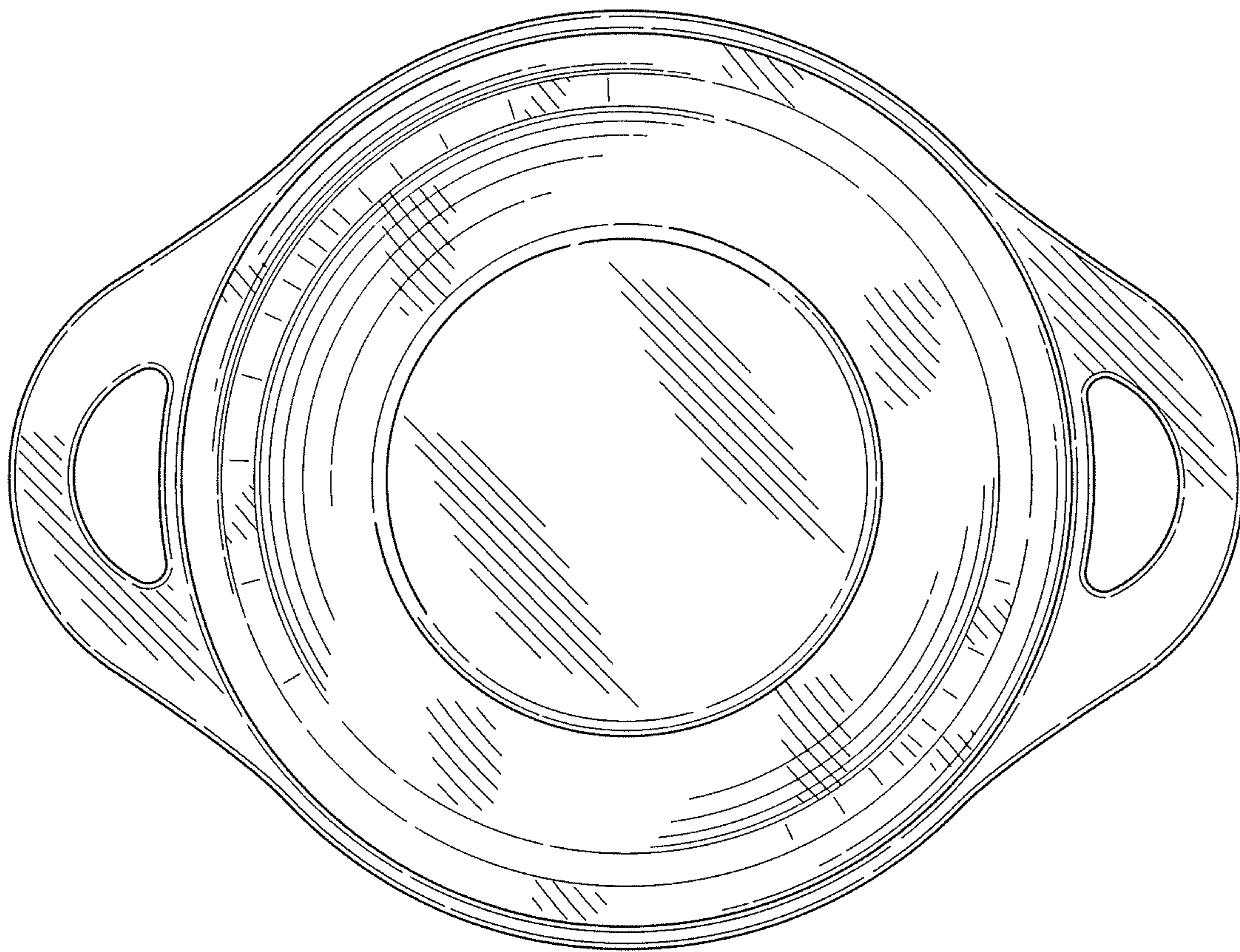


FIG. 4

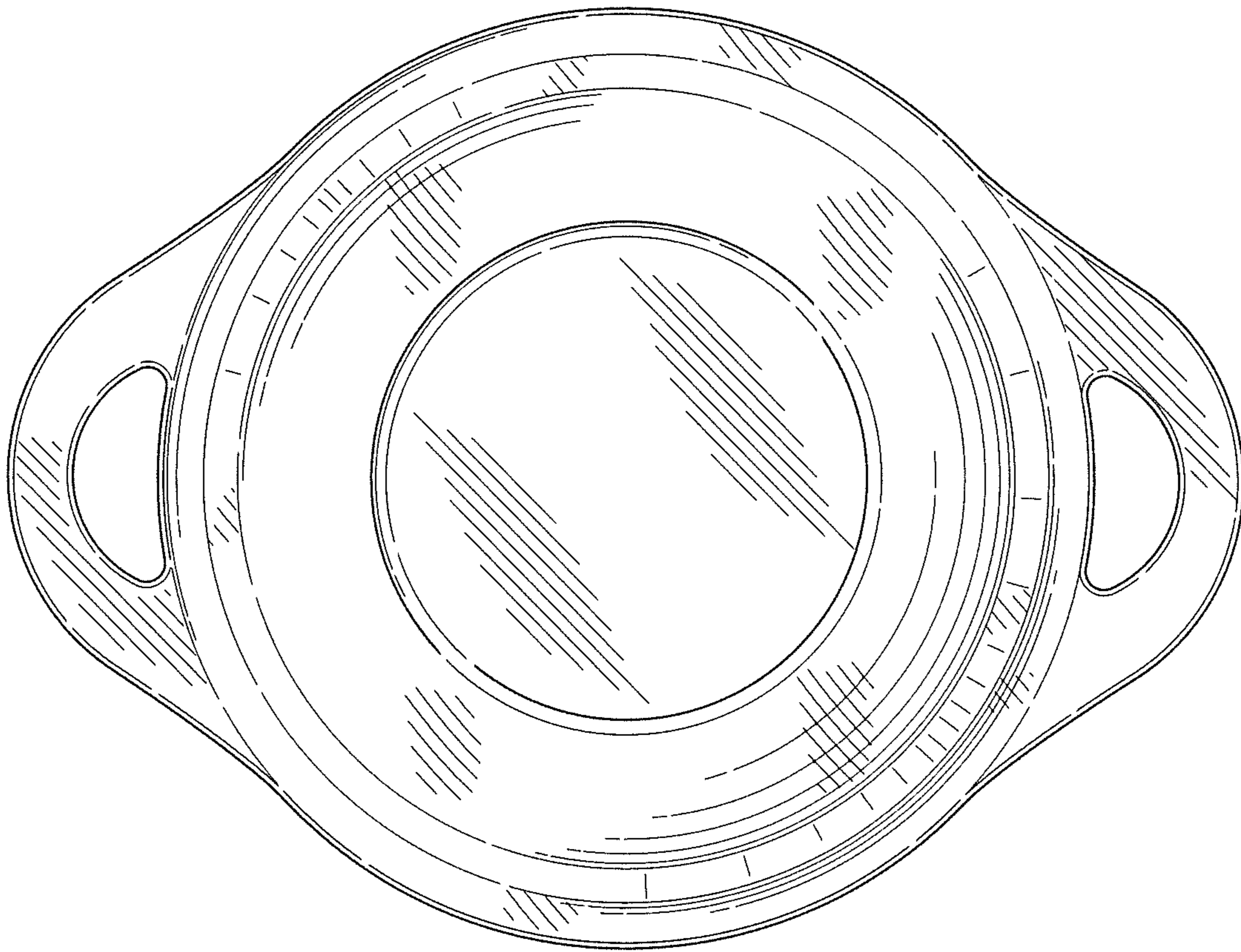


FIG. 5