



US00D931675S

(12) **United States Design Patent**
Bock

(10) **Patent No.:** **US D931,675 S**

(45) **Date of Patent:** **** Sep. 28, 2021**

(54) **AIR FRY OVEN**

- (71) Applicant: **Hamilton Beach Brands, Inc.**, Glen Allen, VA (US)
- (72) Inventor: **Brian Bock**, Midlothian, VA (US)
- (73) Assignee: **Hamilton Beach Brands, Inc.**, Glen Allen, VA (US)

(**) Term: **15 Years**

(21) Appl. No.: **29/727,896**

(22) Filed: **Mar. 13, 2020**

(51) **LOC (13) Cl.** **07-02**

(52) **U.S. Cl.**
USPC **D7/350.1**

(58) **Field of Classification Search**
 USPC D7/323, 328, 329, 330, 332, 334, 337,
 D7/339, 347, 348, 349, 350.1, 350.2,
 D7/350.3, 350.4, 351, 402, 405, 354, 358
 CPC A47J 37/00; A47J 37/206; A47J 37/0605;
 A47J 37/0623; A47J 37/0629; A47J
 37/0641; A47J 37/0647; A47J 37/0664;
 A47J 37/0658; A47J 37/067; A47J 37/07;
 A47J 37/08; A47J 37/0807
 See application file for complete search history.

(56) **References Cited**

U.S. PATENT DOCUMENTS

- D896,019 S * 9/2020 Musanta D7/354
- D909,806 S * 2/2021 Hu F24C 15/023
D7/350.1
- D913,028 S * 3/2021 Wong D7/350.4
- 2020/0214500 A1 * 7/2020 Popeil F24C 15/023

OTHER PUBLICATIONS

Instant Omni Plus Air Fryer Toaster, first available Nov. 18, 2019, Amazon, [online], [site visited Mar. 17, 2021], Available from internet URL: <https://www.amazon.com/Instant-Pot-Omni-Plus-Toaster/dp/B07V3NM8QL> (Year: 2019).*

Digital Air Fryer Toaster Oven, Hamilton Beach, [online], [site visited Mar. 12, 2021], Available from internet URL: <https://hamiltonbeach.com/digital-air-fryer-toaster-oven-6-slice-capacity-31220> (Year: 2021).*

* cited by examiner

Primary Examiner — Mary Ann Calabrese

Assistant Examiner — Natalya M Rapundalo

(74) *Attorney, Agent, or Firm* — Alexander D. Raring

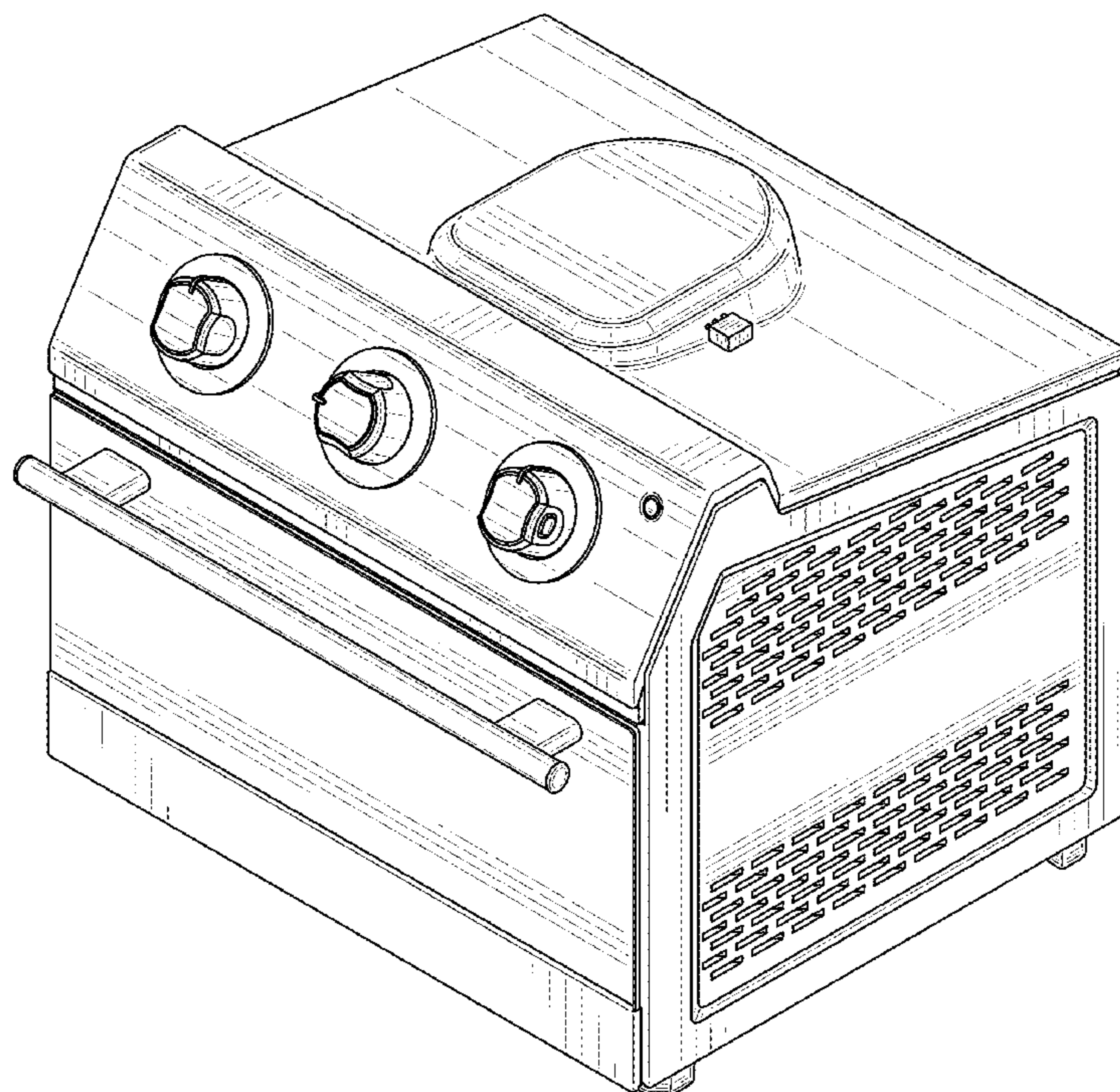
(57) **CLAIM**

The ornamental design for an air fry oven, as shown and described.

DESCRIPTION

FIG. 1 is a top, front and right side perspective view of an air fry oven showing the new design;
 FIG. 2 a front view thereof;
 FIG. 3 is a rear view thereof;
 FIG. 4 is a left side view thereof;
 FIG. 5 is a right side view thereof;
 FIG. 6 is a top plan view thereof; and,
 FIG. 7 is a bottom plan view thereof.

1 Claim, 7 Drawing Sheets



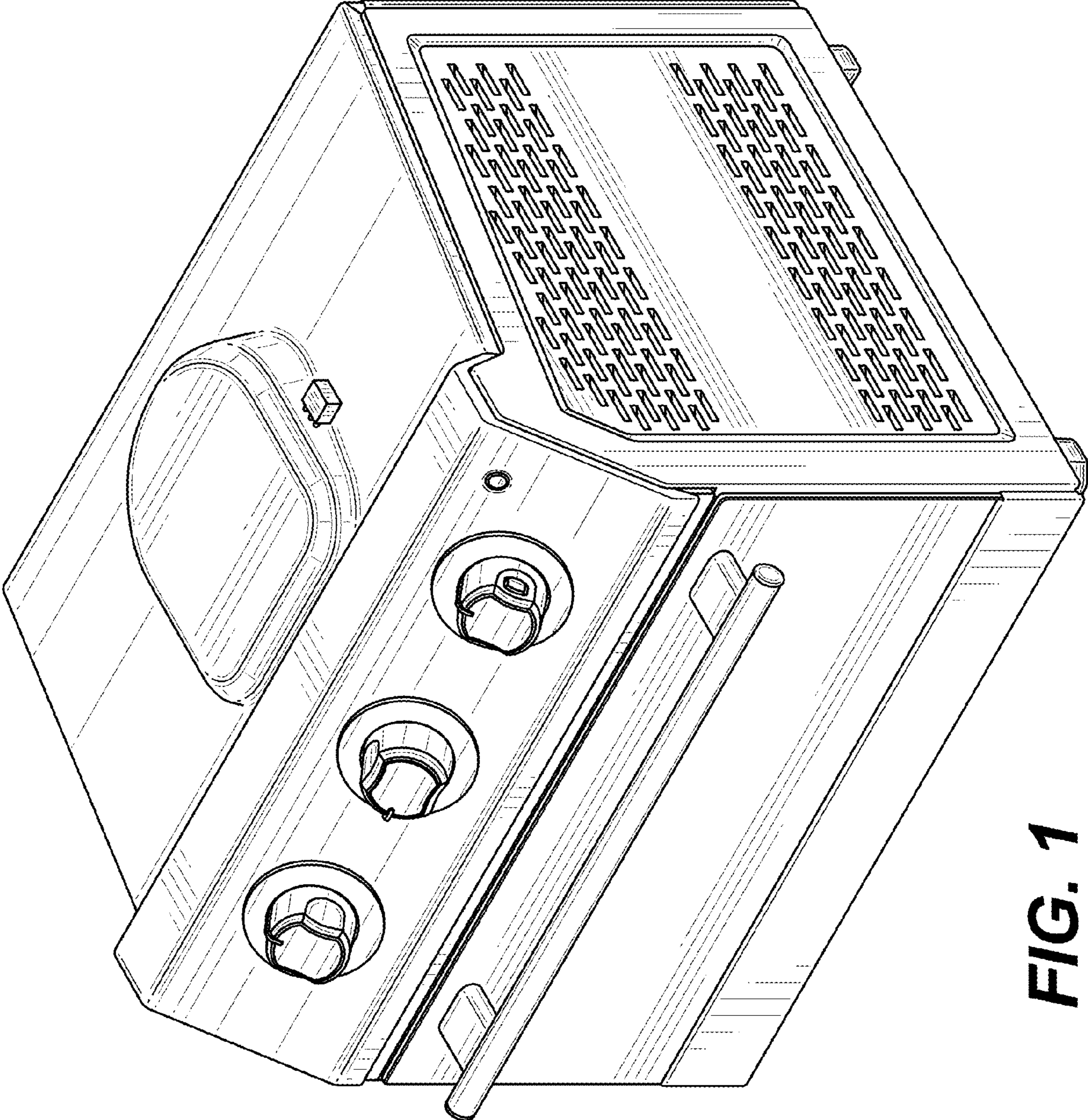


FIG. 1

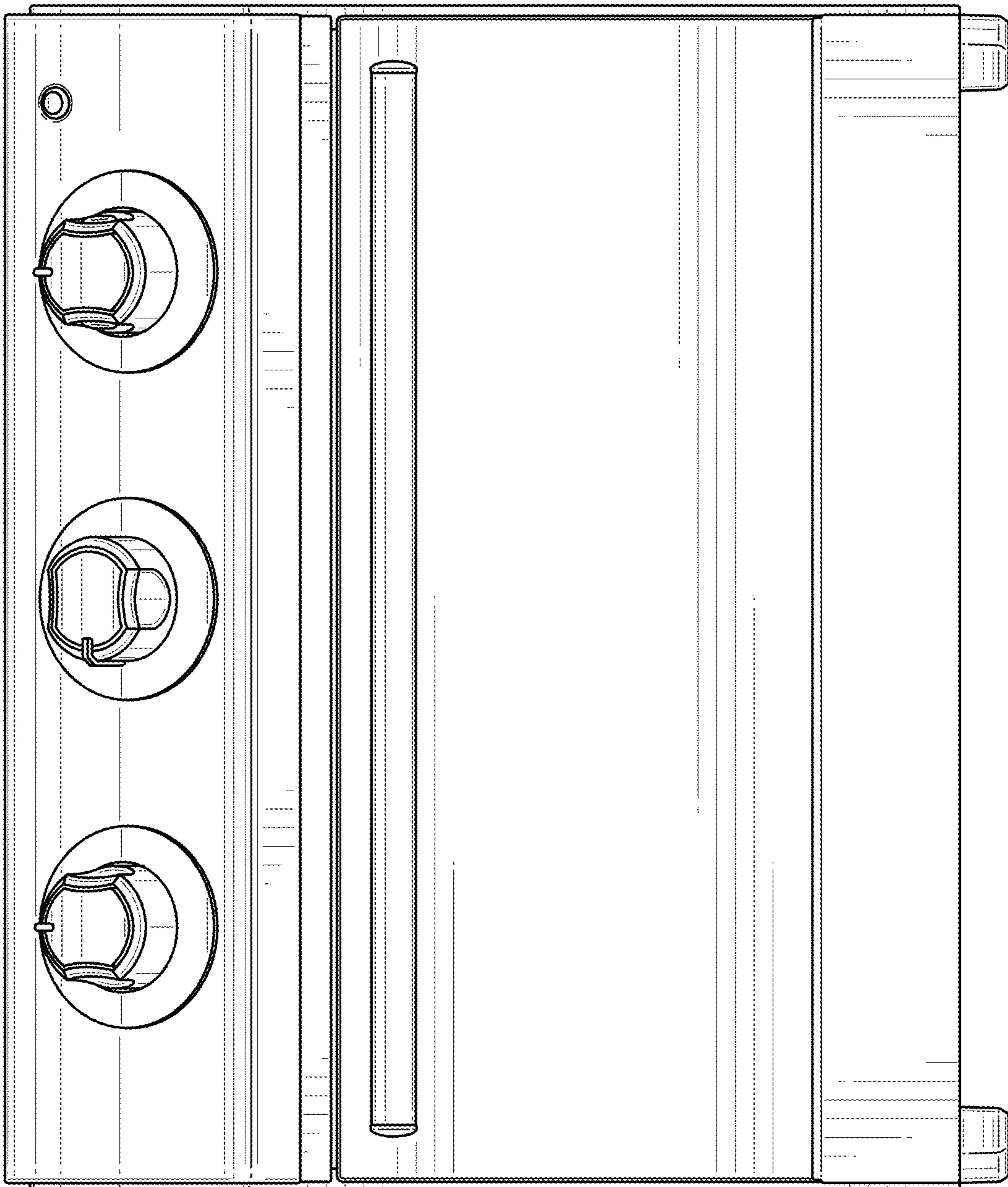


FIG. 2

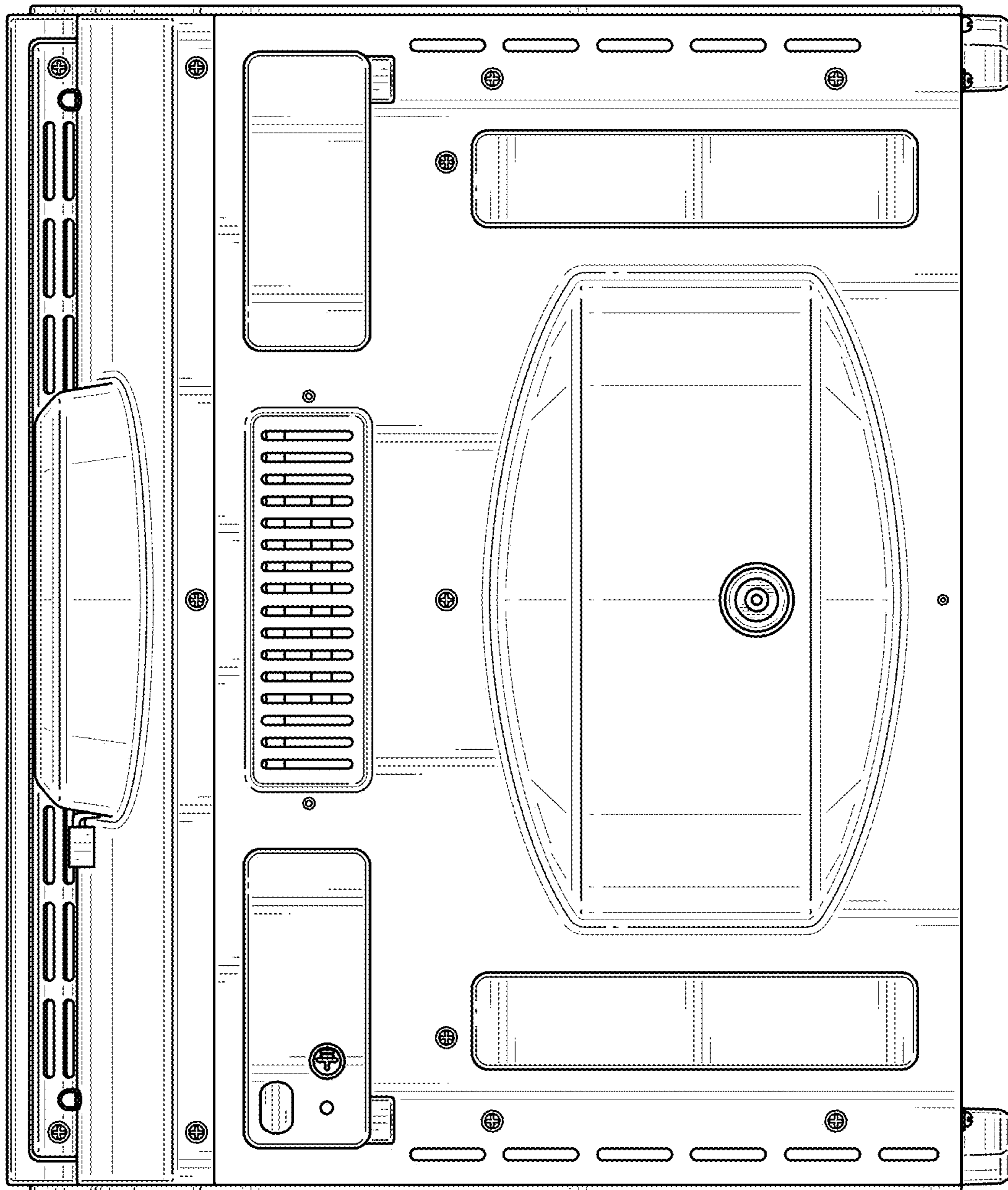


FIG. 3

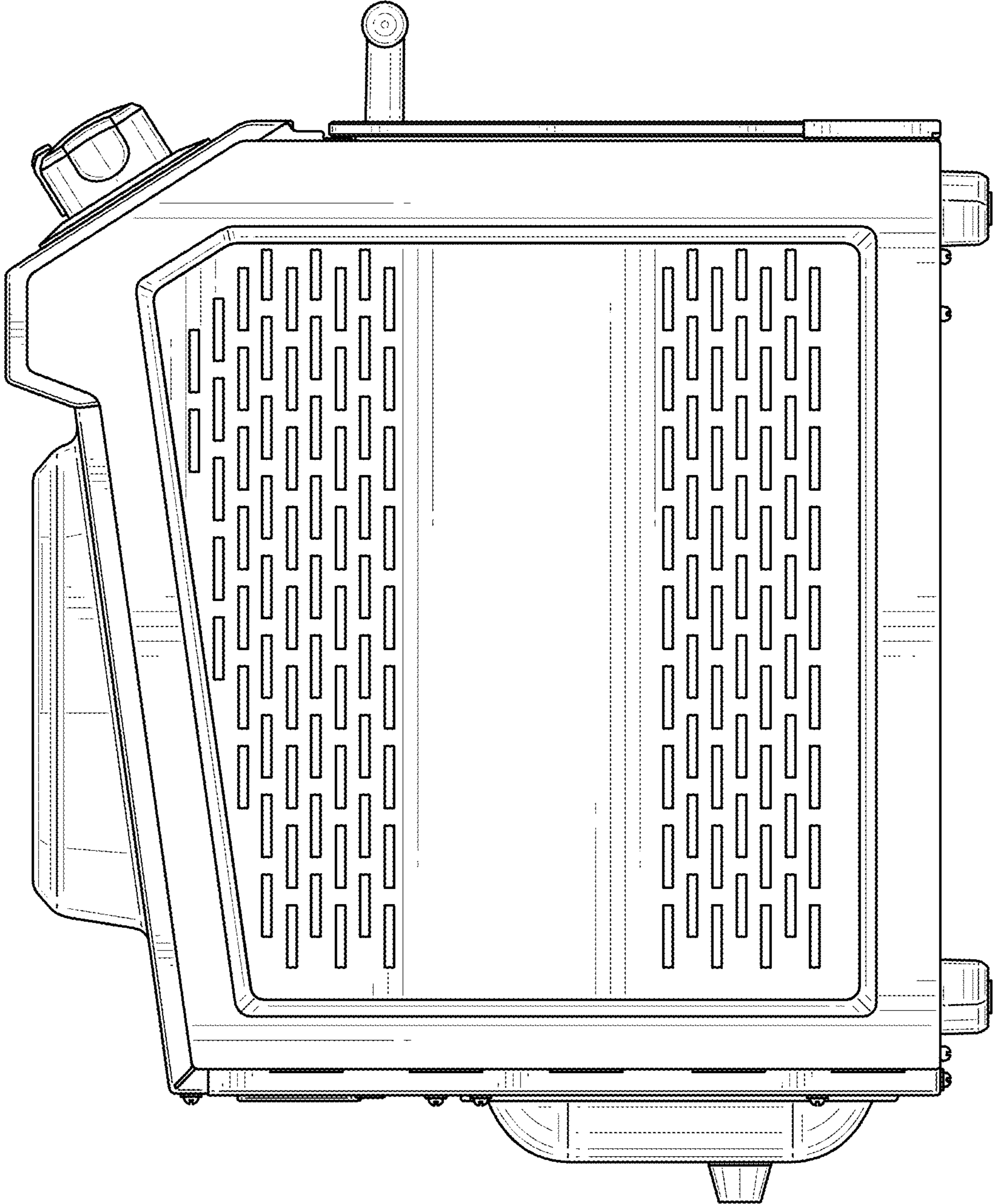


FIG. 4

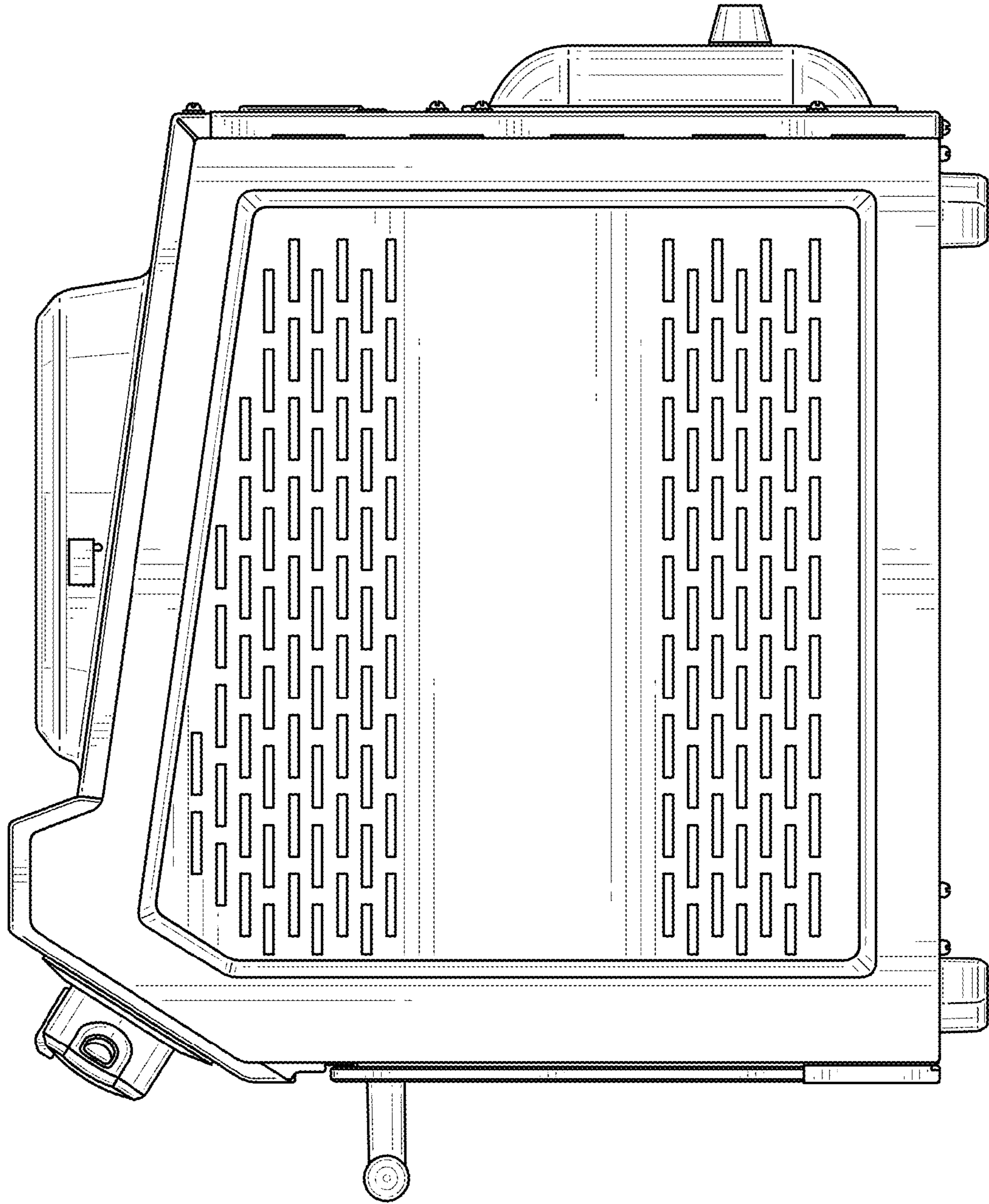


FIG. 5

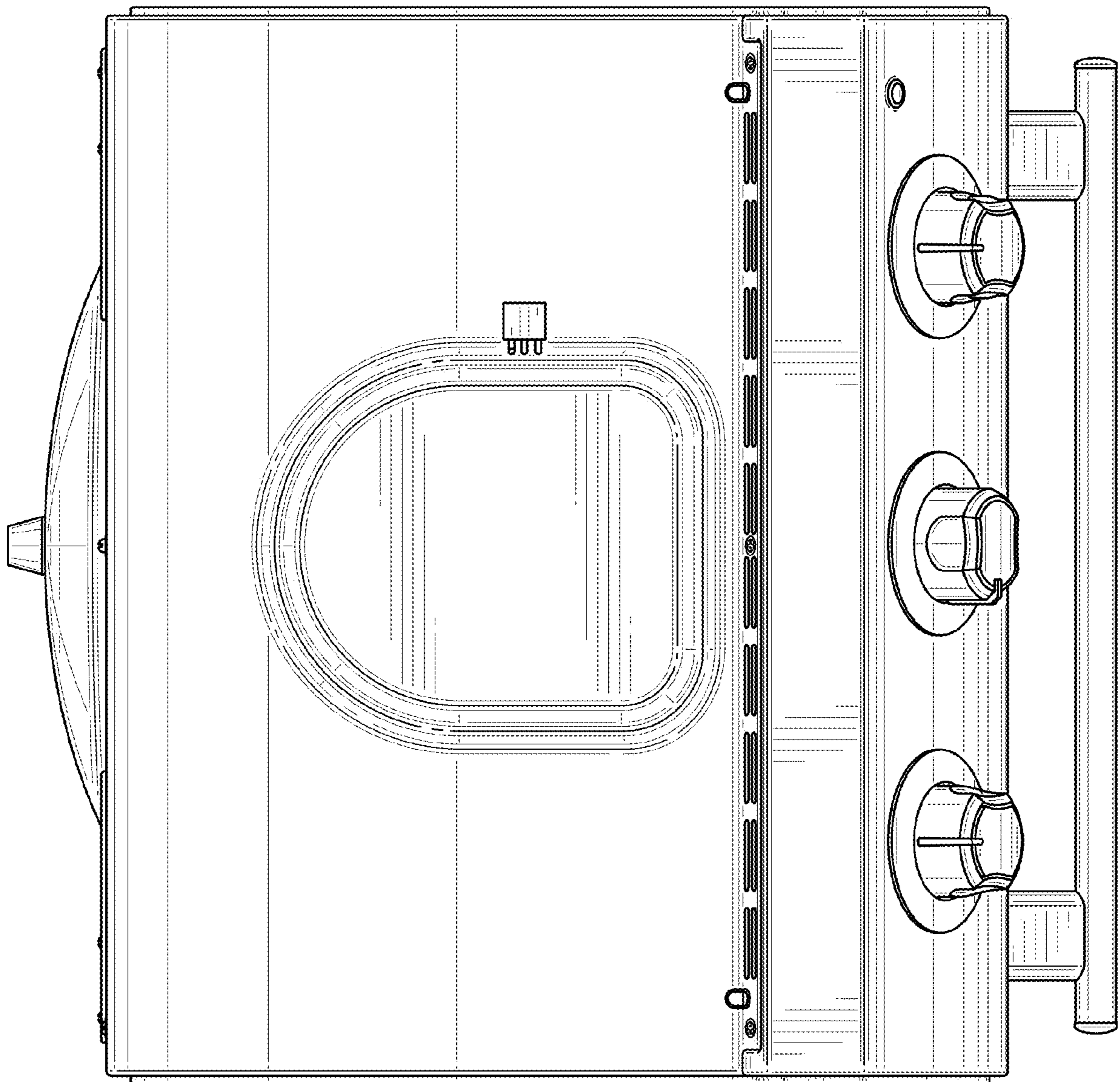


FIG. 6

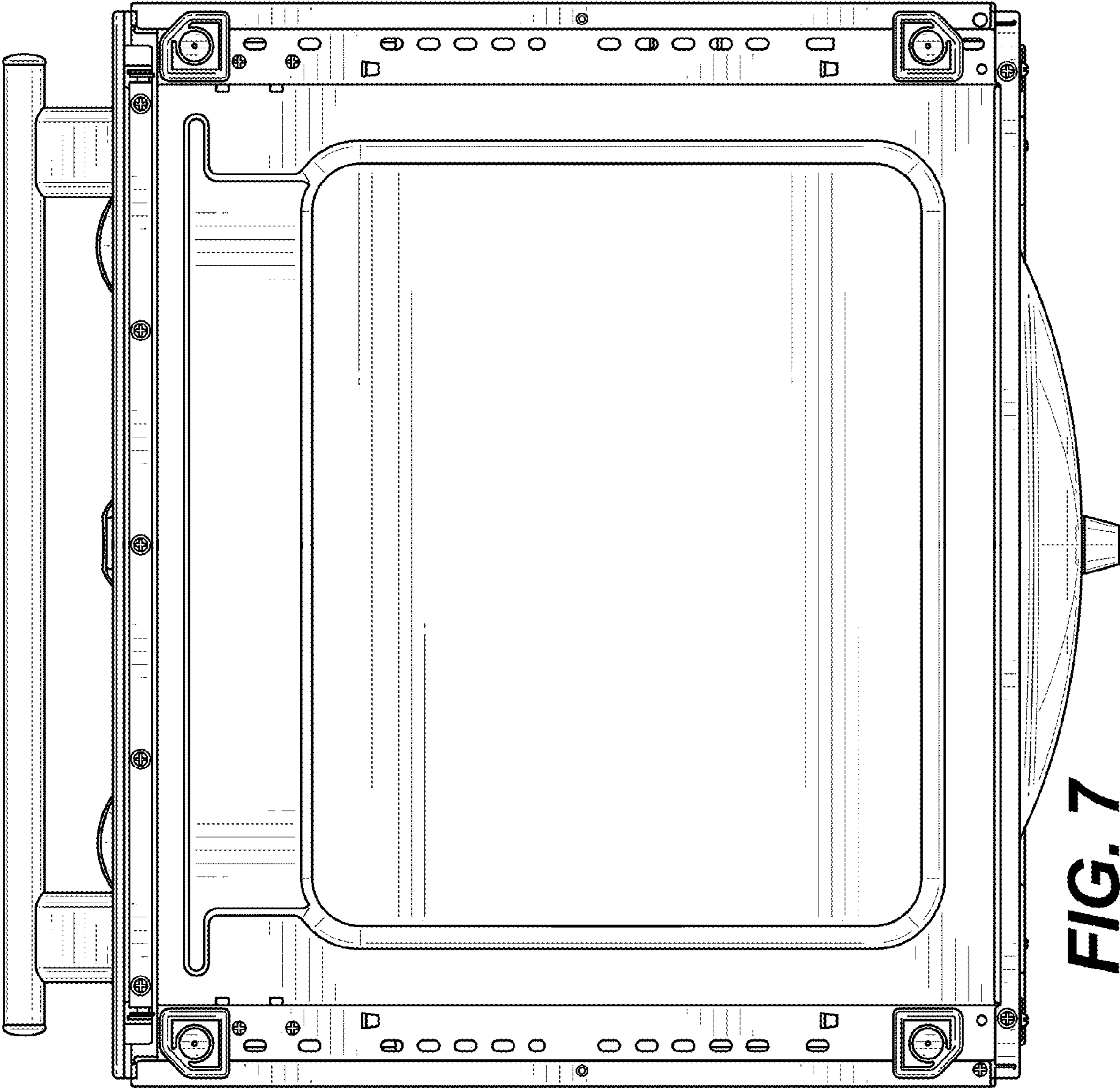


FIG. 7