



US00D931674S

(12) **United States Design Patent** (10) **Patent No.:** **US D931,674 S**  
**Bock** (45) **Date of Patent:** **\*\* Sep. 28, 2021**

(54) **TOASTER OVEN**

OTHER PUBLICATIONS

(71) Applicant: **Hamilton Beach Brands, Inc.**, Glen Allen, VA (US)

Instant Omni Plus Air Fryer Toaster, first available Nov. 18, 2019, Amazon, [online], [site visited Mar. 17, 2021], Available from internet URL: <https://www.amazon.com/Instant-Pot-Omni-Plus-Toaster/dp/B07V3NM8QL> (Year: 2019).\*

(72) Inventor: **Brian Bock**, Midlothian, VA (US)

Digital Air Fryer Toaster Oven, Hamilton Beach, [online], [site visited Mar. 12, 2021], Available from internet URL: <https://hamiltonbeach.com/digital-air-fryer-toaster-oven-6-slice-capacity-31220> (Year: 2021).\*

(\*\*) Term: **15 Years**

\* cited by examiner

(21) Appl. No.: **29/727,883**

*Primary Examiner* — Mary Ann Calabrese

(22) Filed: **Mar. 13, 2020**

*Assistant Examiner* — Natalya M Rapundalo

(51) **LOC (13) Cl.** ..... **07-02**

(74) *Attorney, Agent, or Firm* — Alexander D. Raring

(52) **U.S. Cl.**

USPC ..... **D7/350.1**

(58) **Field of Classification Search**

(57) **CLAIM**

USPC ..... D7/323, 328, 329, 330, 332, 334, 337, D7/339, 347, 348, 349, 350.1, 350.2, D7/350.3, 350.4, 351, 402, 405, 354, 358  
CPC ..... A47J 37/00; A47J 37/206; A47J 37/0605; A47J 37/0623; A47J 37/0629; A47J 37/0641; A47J 37/0647; A47J 37/0664; A47J 37/0658; A47J 37/067; A47J 37/07; A47J 37/08; A47J 37/0807

The ornamental design for a toaster oven, as shown and described.

See application file for complete search history.

**DESCRIPTION**

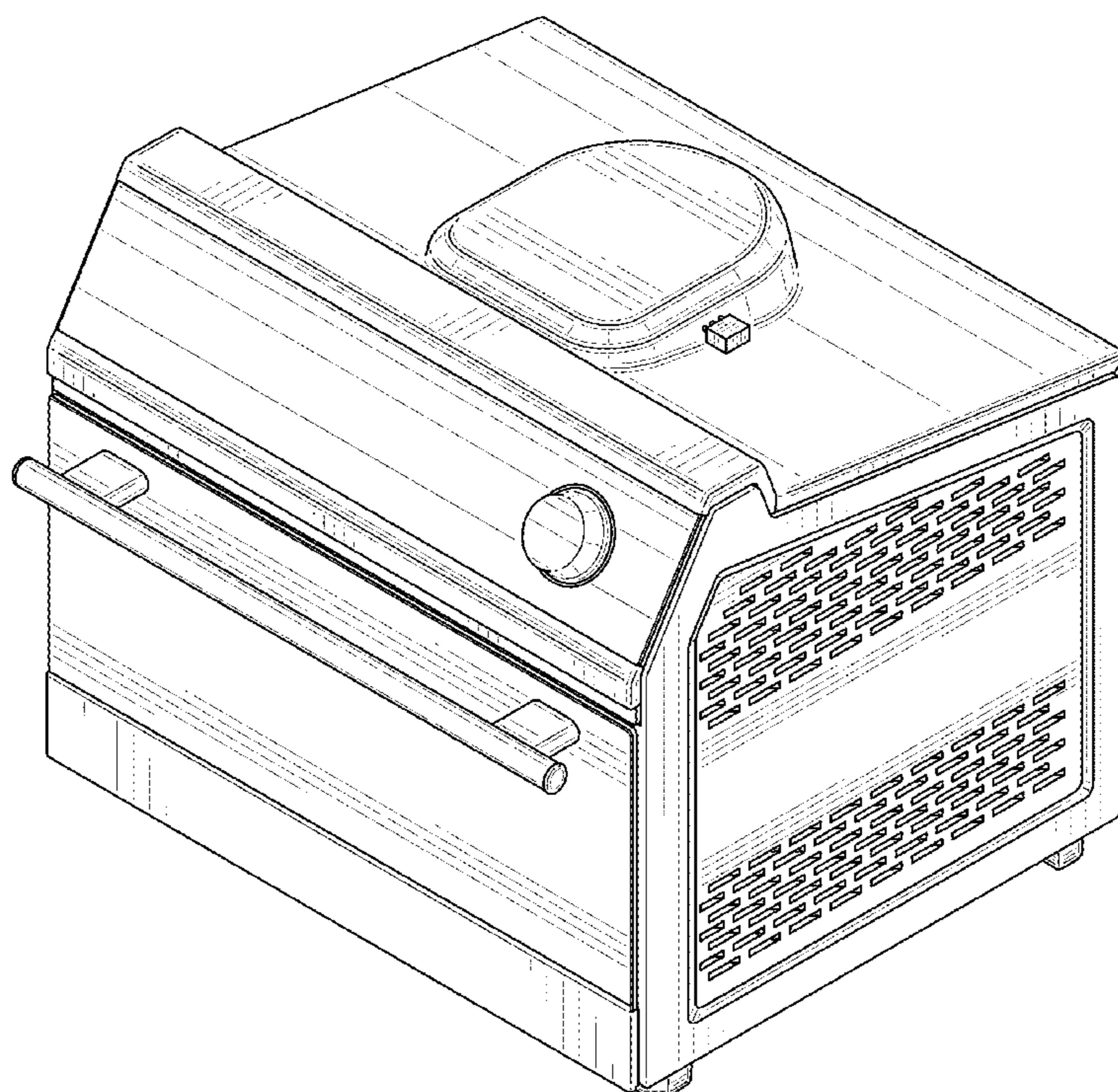
(56) **References Cited**

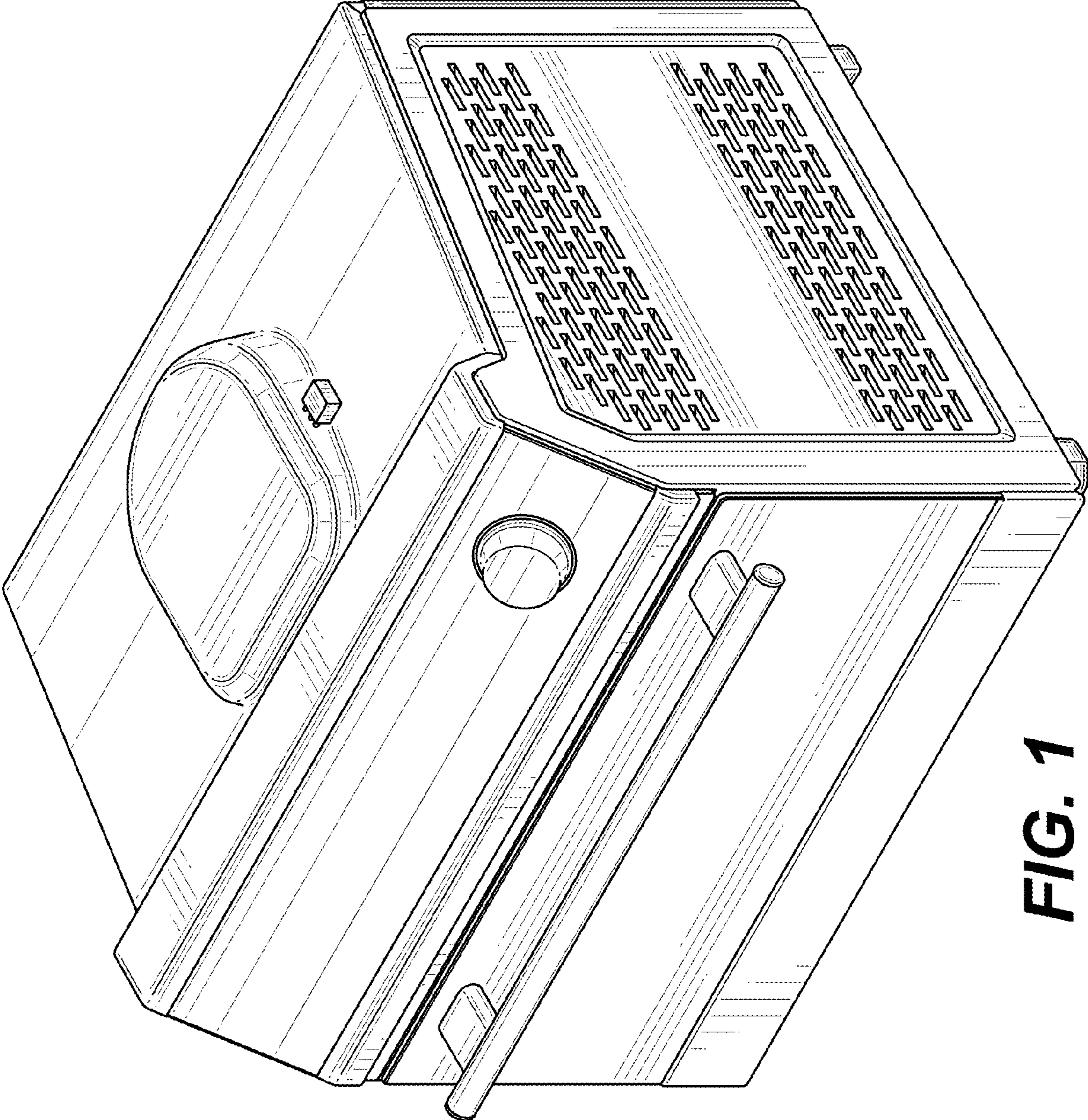
FIG. 1 is a top, front and right side perspective view of a toaster oven showing the new design;  
FIG. 2 a front view thereof;  
FIG. 3 is a rear view thereof;  
FIG. 4 is a left side view thereof;  
FIG. 5 is a right side view thereof;  
FIG. 6 is a top plan view thereof; and,  
FIG. 7 is a bottom plan view thereof.

**U.S. PATENT DOCUMENTS**

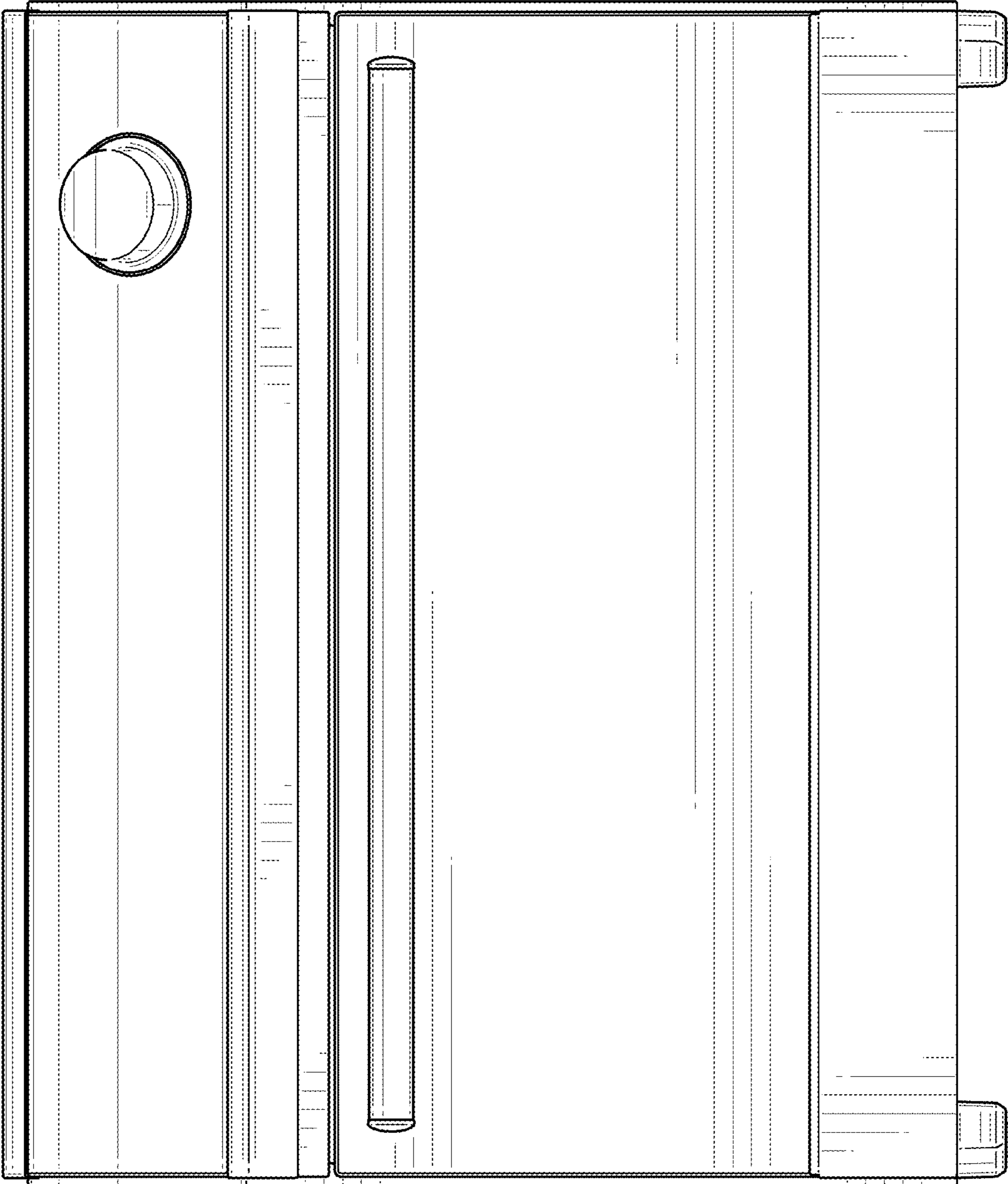
D909,806 S \* 2/2021 Hu ..... F24C 15/023 D7/350.1  
D913,028 S \* 3/2021 Wong ..... D7/350.4  
2020/0214500 A1\* 7/2020 Popeil ..... F24C 15/023

**1 Claim, 7 Drawing Sheets**

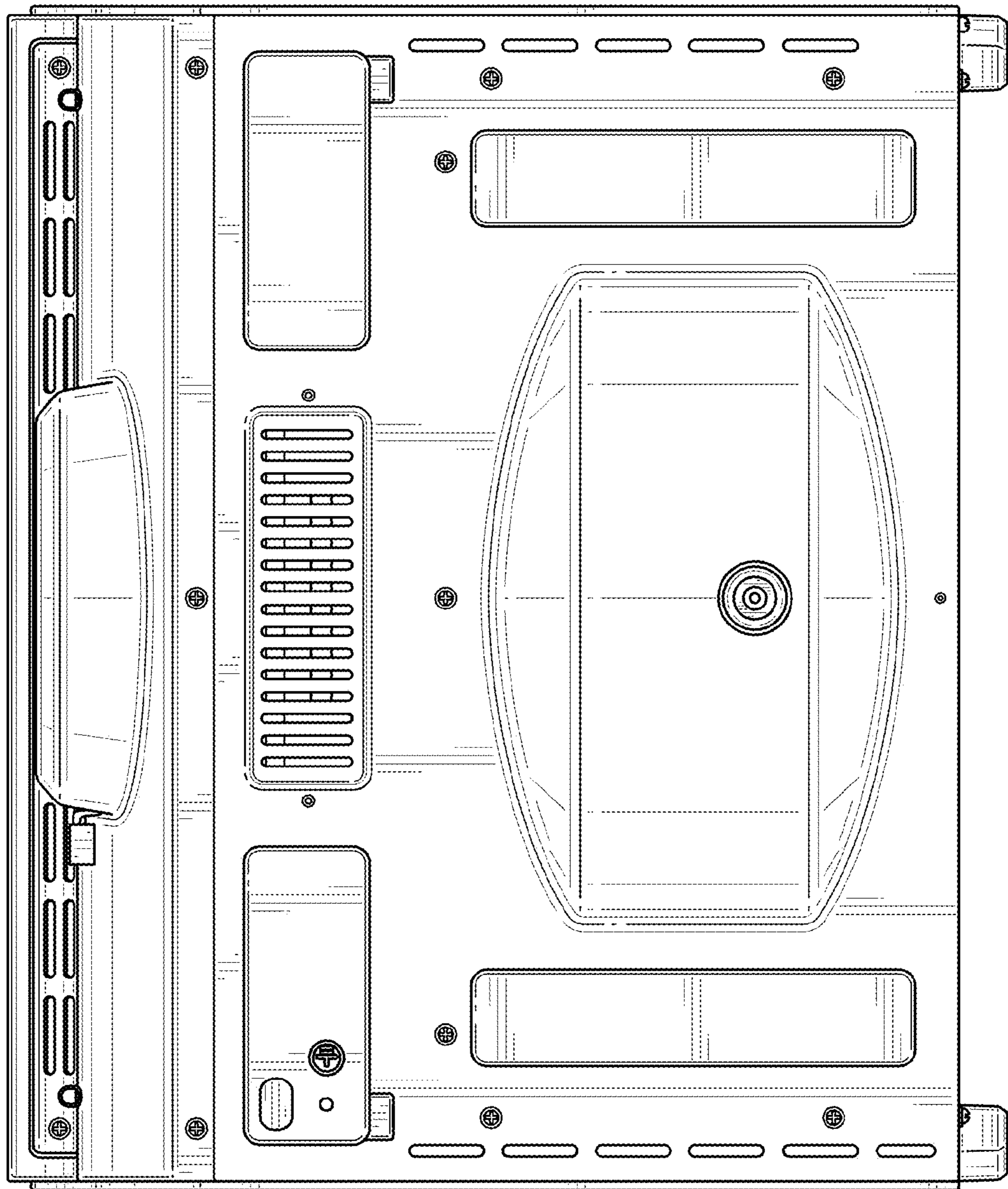




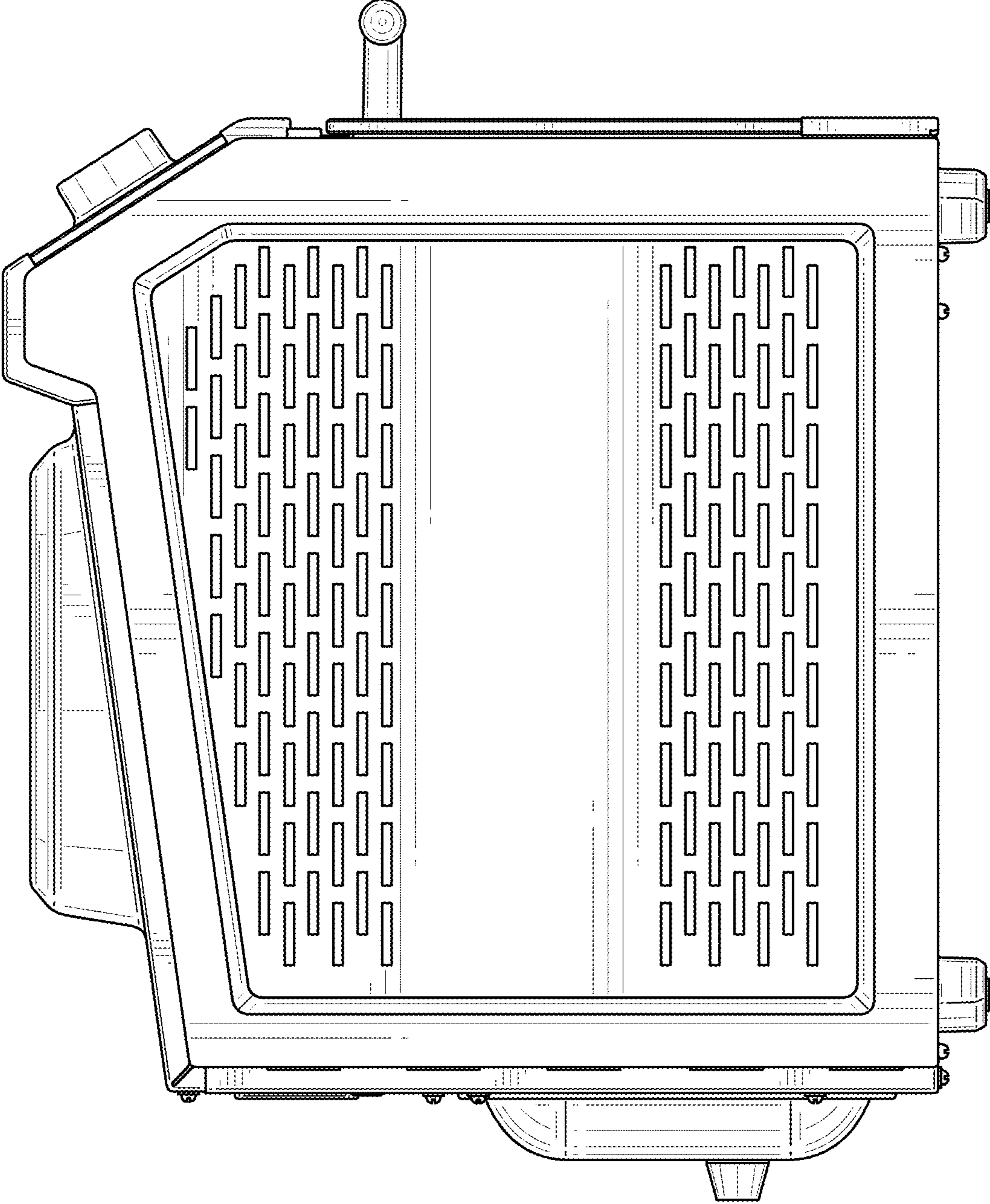
**FIG. 1**



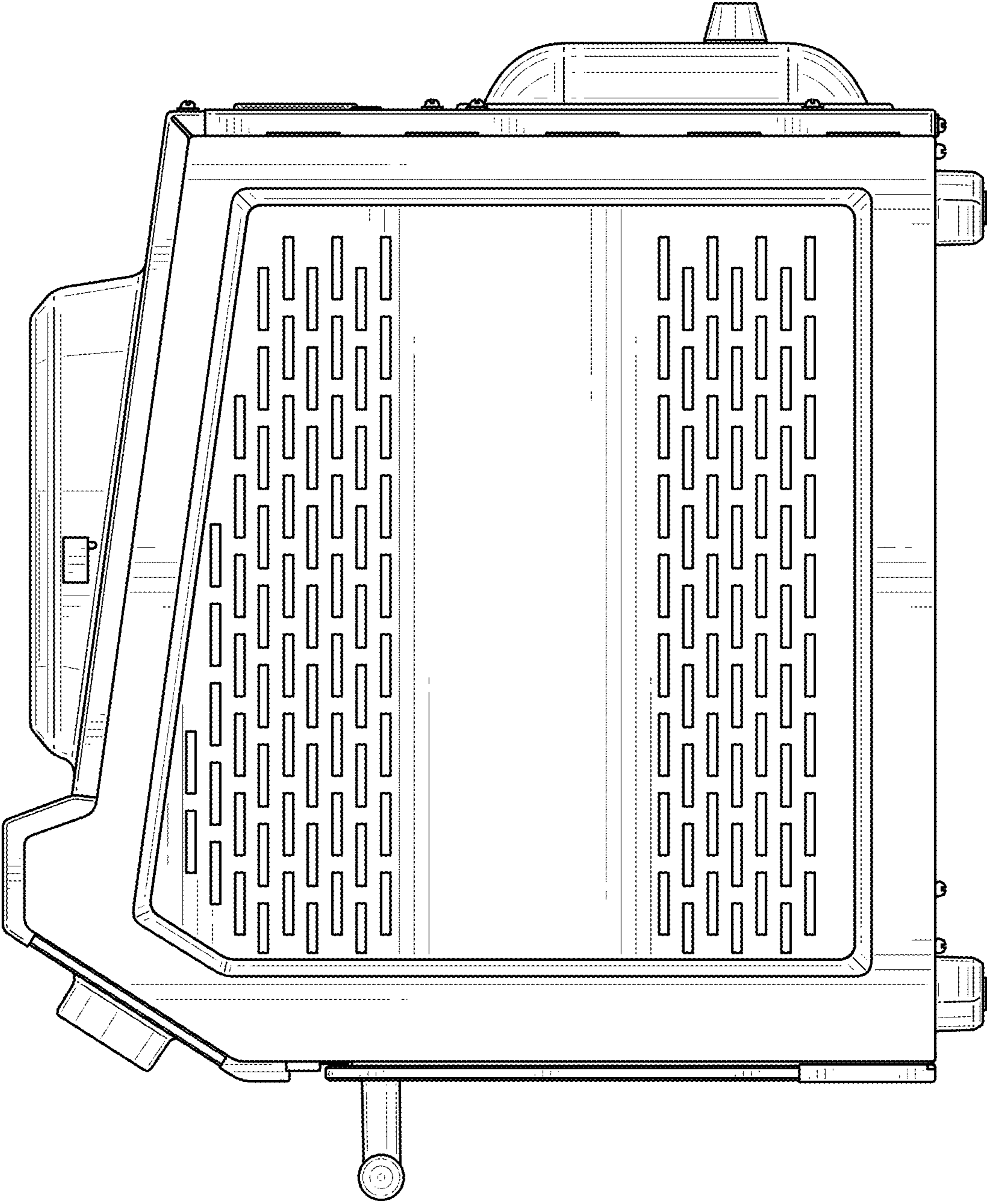
**FIG. 2**



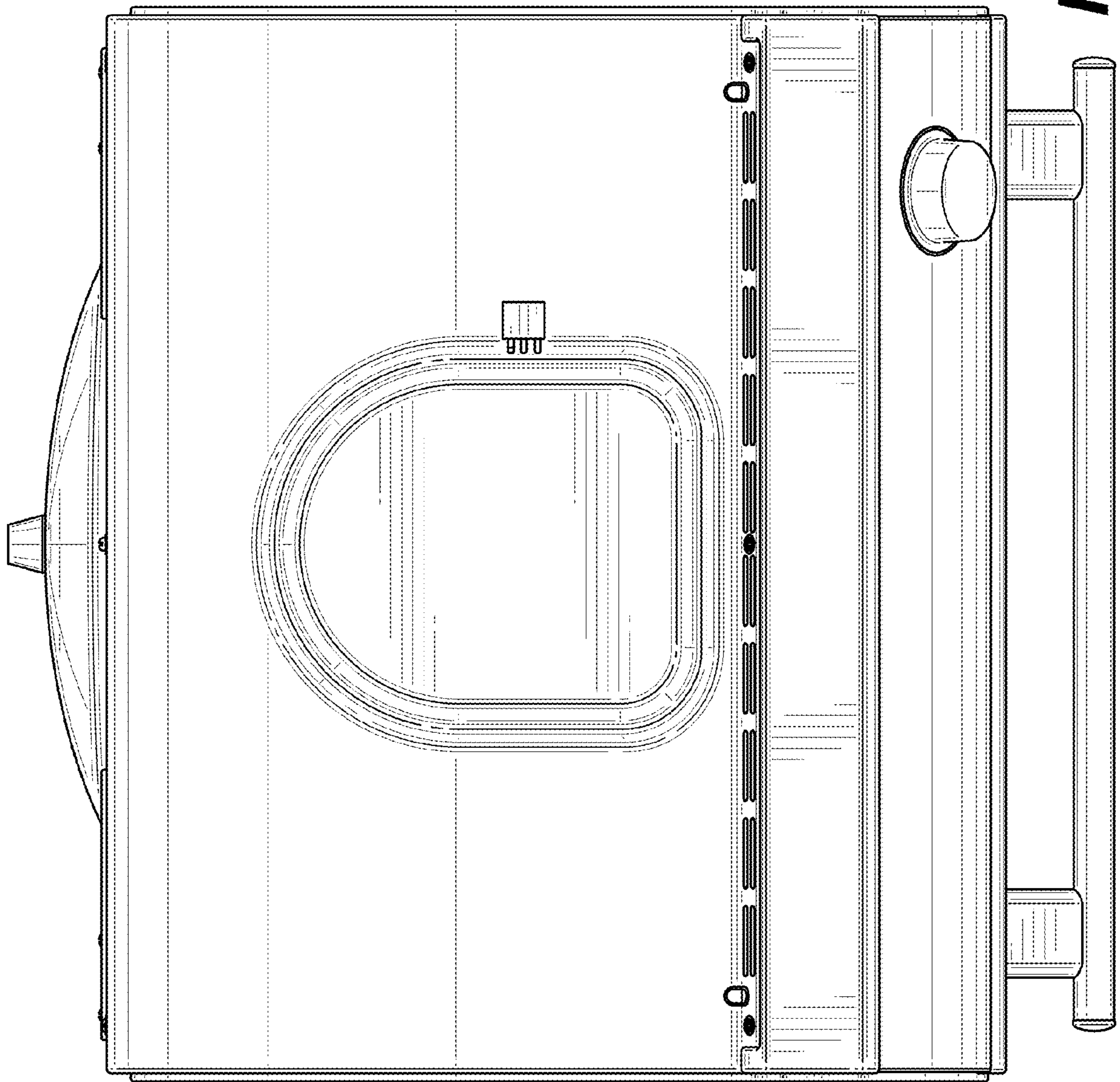
**FIG. 3**



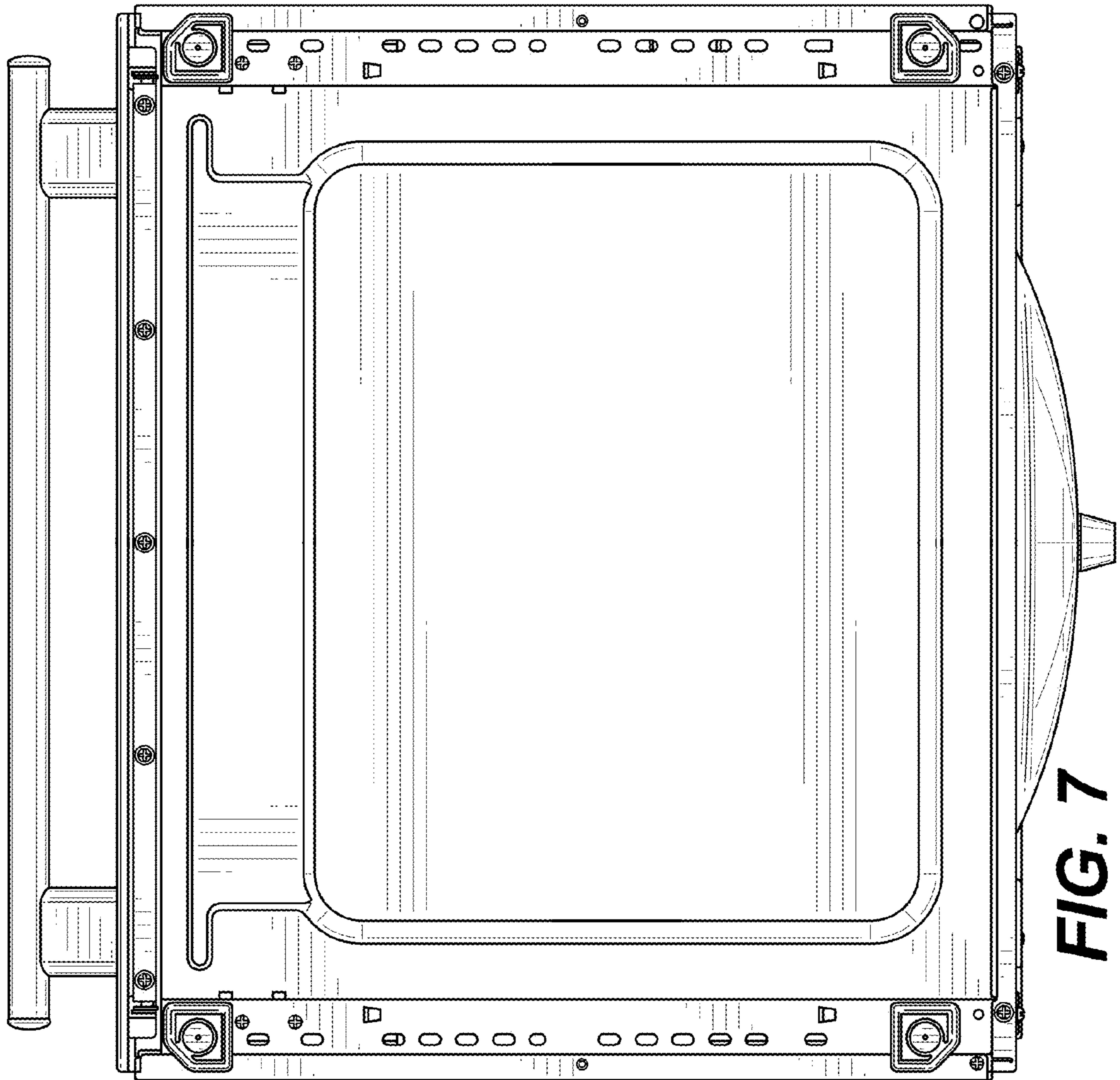
**FIG. 4**



**FIG. 5**



**FIG. 6**



**FIG. 7**