



US00D931671S

(12) **United States Design Patent** (10) **Patent No.:** **US D931,671 S**
Bignu (45) **Date of Patent:** **** *Sep. 28, 2021**

(54) **COFFEE MAKER**
(71) Applicant: **KONINKLIJKE PHILIPS N.V.**,
Eindhoven (NL)
(72) Inventor: **Davide Bignu**, Amsterdam (NL)

D586,603 S * 2/2009 Borin D7/309
D601,848 S * 10/2009 Borin D7/307
D623,462 S * 9/2010 Ashbridge D7/306
D648,973 S * 11/2011 De' Longhi D7/309
D719,390 S * 12/2014 De Pra D7/309
D735,518 S * 8/2015 De'Longhi D7/309

(Continued)

(73) Assignee: **KONINKLIJKE PHILIPS N.V.**,
Eindhoven (NL)

FOREIGN PATENT DOCUMENTS

(*) Notice: This patent is subject to a terminal disclaimer.

BR 302013002885-0001 * 12/2014
EP 2392240 A1 * 7/2011 A47J 31/24

(Continued)

(**) Term: **15 Years**

OTHER PUBLICATIONS

(21) Appl. No.: **35/504,107**

“KRUPS EA8250 Fully Auto Espresso Machine,” Jul. 27, 2011, amazon.com, site visited Dec. 8, 2020, URL: https://www.amazon.com/KRUPS-EA8250-Espresso-Machine-Grinder/dp/B005FQ24G2/ref=sr_1_29?dchild=1&keywords=automatic+espresso+machine&qid=1607436584&sr=8-29 (Year: 2011).*

(Continued)

(22) Filed: **Jun. 8, 2017**

(80) **Hague Agreement Data**

Int. Filing Date: **Jun. 8, 2017**
Int. Reg. No.: **DM/096606**
Int. Reg. Date: **Jun. 8, 2017**
Int. Reg. Pub. Date: **Dec. 8, 2017**

Primary Examiner — Eric L Goodman
Assistant Examiner — Sarah L Smith

(30) **Foreign Application Priority Data**

Dec. 21, 2016 (EM) 003530526

(51) **LOC (13) Cl.** **07-01**

(52) **U.S. Cl.**
USPC **D7/309**

(58) **Field of Classification Search**
USPC D7/300, 306–315, 305, 397–399
CPC . B67D 1/12; B67D 1/0412; B67D 1/00; A47J 31/4489; A47J 31/40; A47J 31/4485
See application file for complete search history.

(57) **CLAIM**

The ornamental design for a coffee maker, as shown and described.

DESCRIPTION

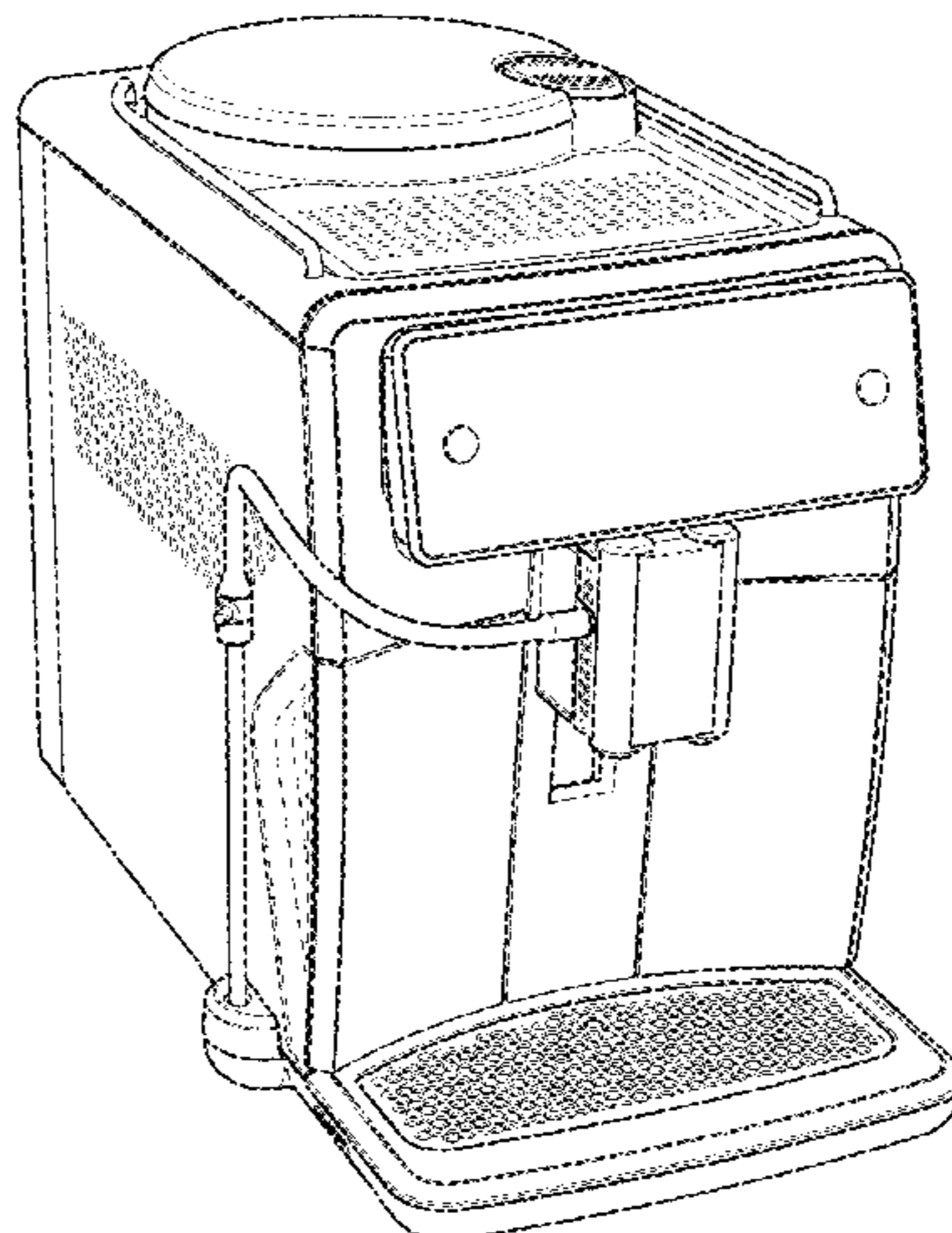
1. Coffee maker
Fig. 1.1 is a front perspective view of a coffee maker showing our new design;
Fig. 1.2 is a front elevational view thereof;
Fig. 1.3 is a rear elevational view thereof;
Fig. 1.4 is a right side elevational view thereof;
Fig. 1.5 is a left side elevational view thereof;
Fig. 1.6 is a top plan view thereof; and
Fig. 1.7 is a bottom plan view thereof.
The portions of the coffee maker shown in broken lines form no part of the claimed design.

(56) **References Cited**

U.S. PATENT DOCUMENTS

D413,757 S * 9/1999 Vigner Munoz D7/309
D431,751 S * 10/2000 Cahen D7/309
D437,726 S * 2/2001 Hardt D7/306
D523,279 S * 6/2006 Zemp D7/307

1 Claim, 7 Drawing Sheets



(56)

References Cited

U.S. PATENT DOCUMENTS

9,468,331 B2 * 10/2016 De Longhi A47J 43/0465
 99/293
 D771,992 S * 11/2016 Yang D7/306
 9,560,930 B2 * 2/2017 Baldo 99/279
 D821,132 S * 6/2018 Cometti D7/309
 D823,038 S * 7/2018 Gebhardt D7/309
 D823,627 S * 7/2018 Gebhardt D7/309
 D825,243 S * 8/2018 Yoon D7/308
 D843,154 S * 3/2019 Buttler D7/309
 D881,624 S * 4/2020 Rubin D7/308
 10,624,490 B2 * 4/2020 Beekman A47J 31/407
 D891,166 S * 7/2020 Bignu D7/309
 D891,846 S * 8/2020 Bignu D7/309
 D892,530 S * 8/2020 Bignu D7/309
 2013/0000490 A1 * 1/2013 De'Longhi A47J 43/0465
 99/323.1

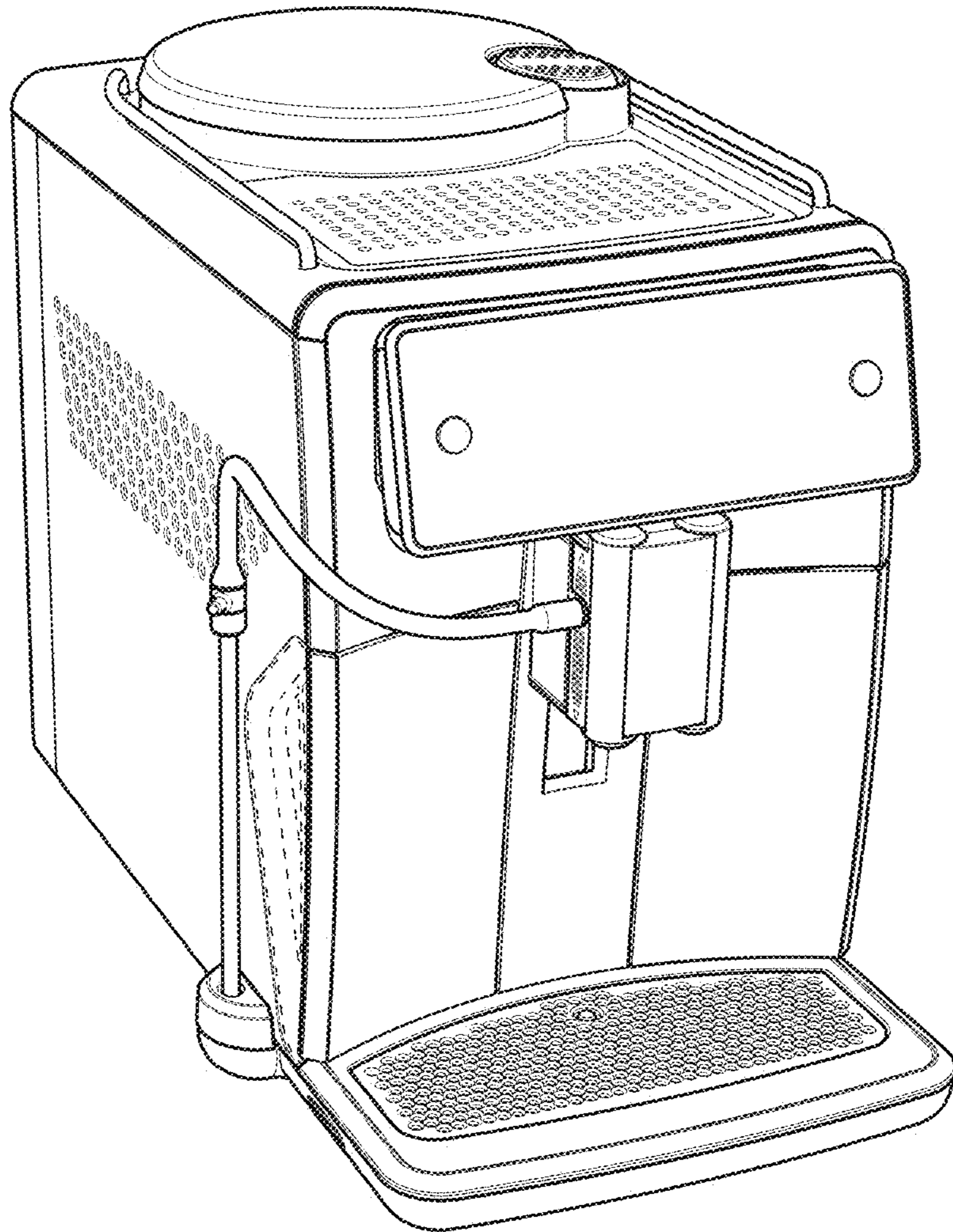
FOREIGN PATENT DOCUMENTS

EP 3669715 A1 * 6/2020 A47J 31/24
 JP D1355901 * 4/2009

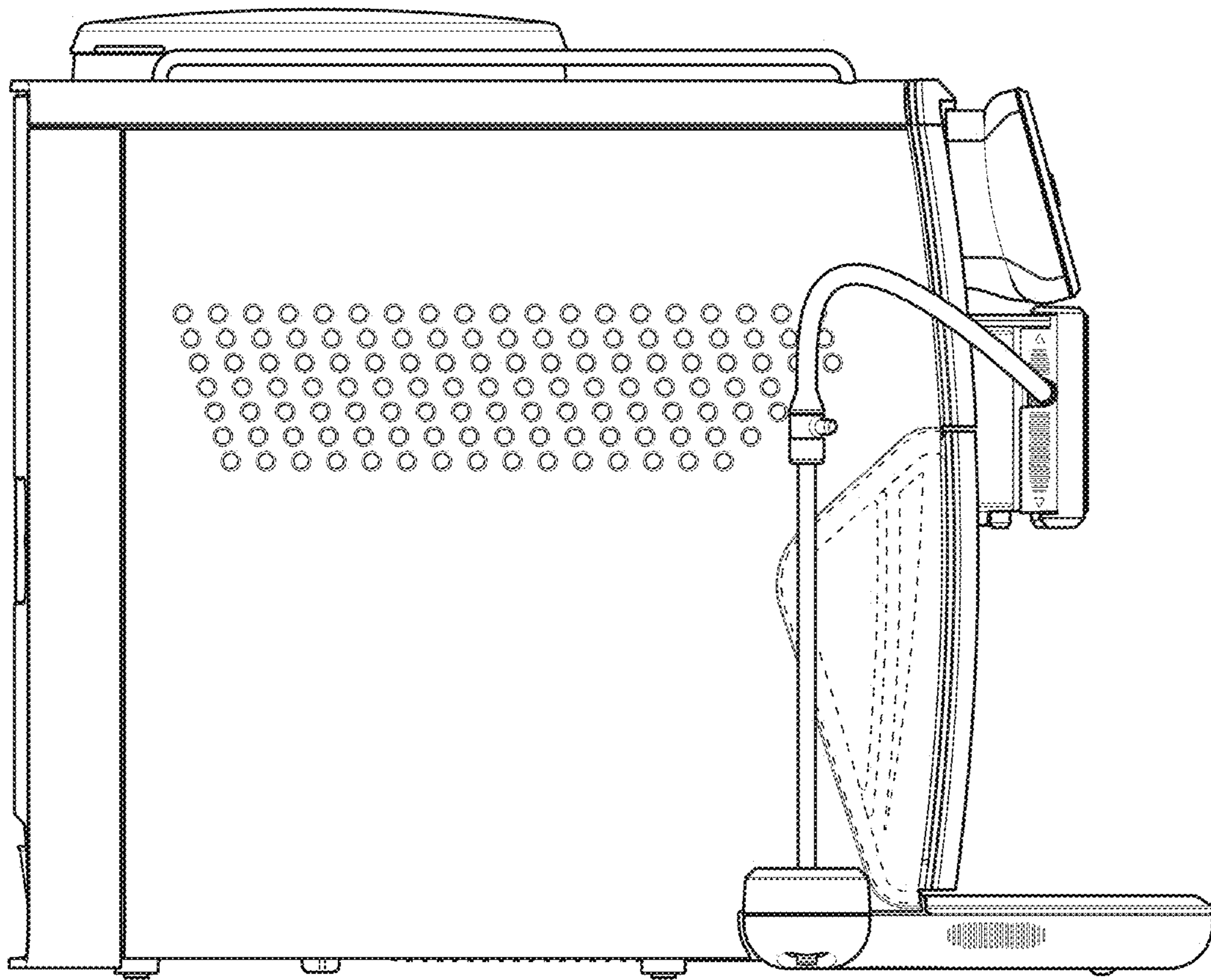
OTHER PUBLICATIONS

“Saeco PicoBaristo Super Automatic Espresso Machine,” Feb. 1, 2016, amazon.com, site visited Dec. 8, 2020, URL: https://www.amazon.com/Saeco-HD8927-47-PicoBaristo-Automatic/dp/B01MU9R08E/ref=sr_1_15?dchild=1&keywords=automatic+espresso+machine&qid=1607436584&sr=8-15 (Year: 2016).*

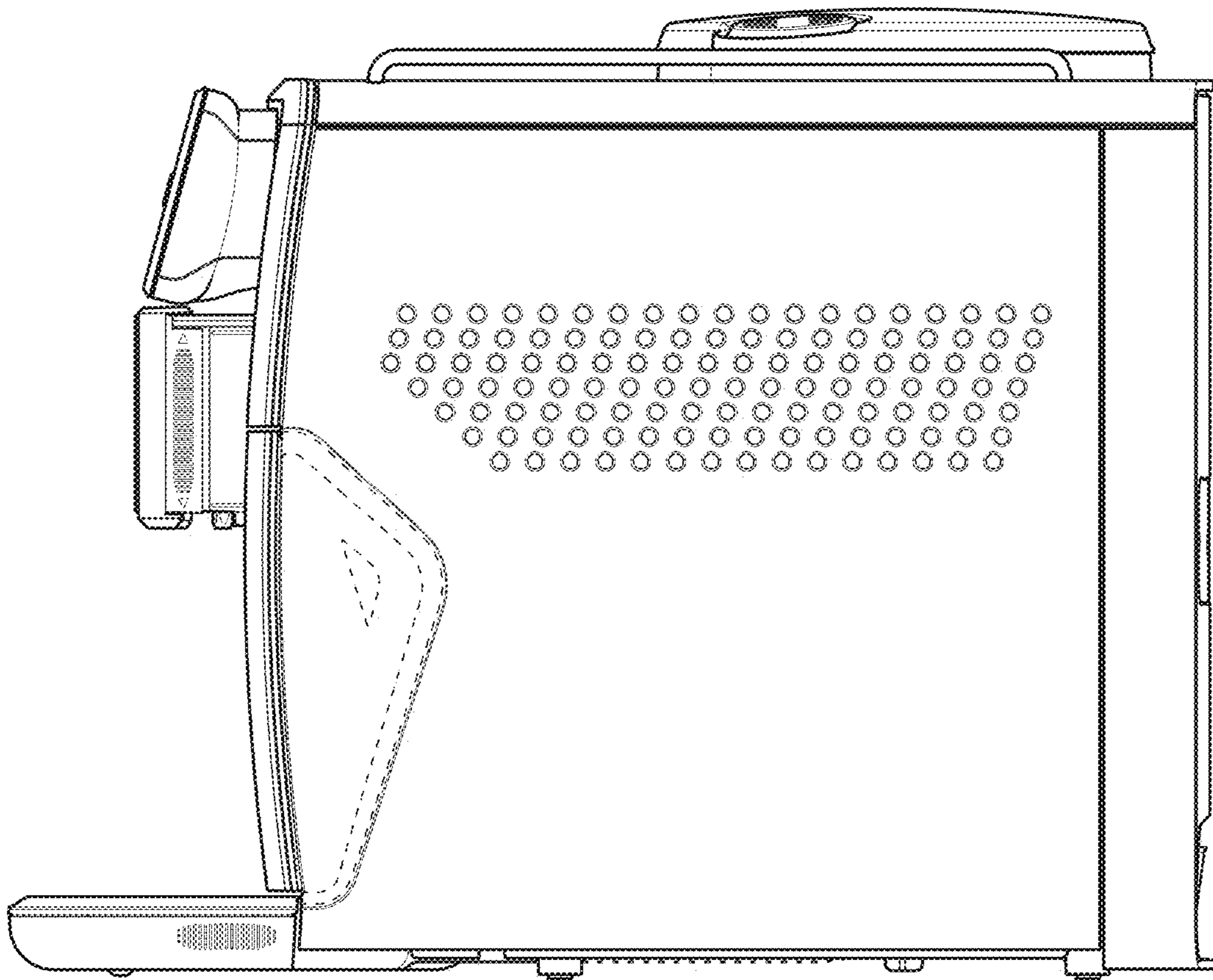
* cited by examiner



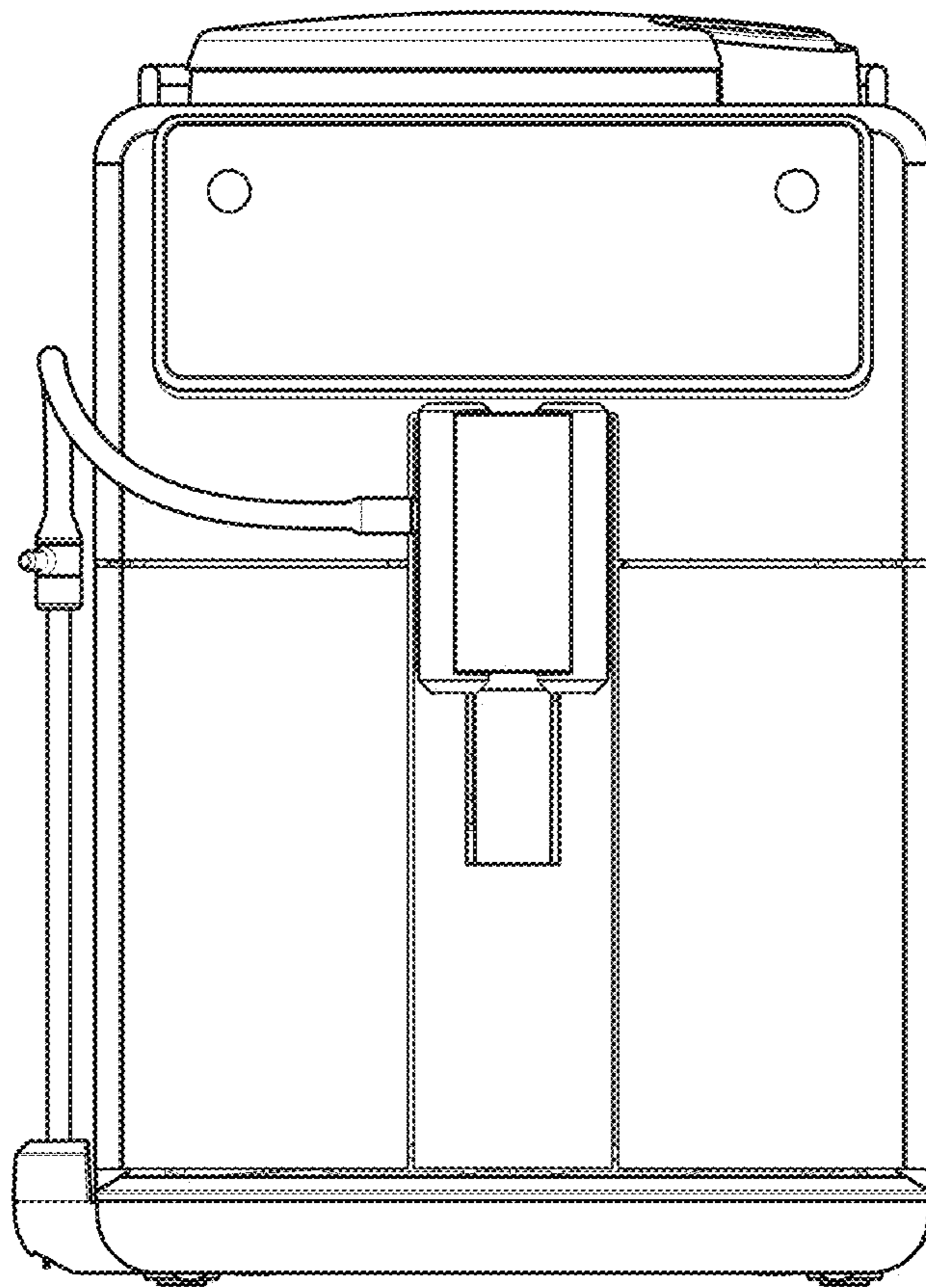
1.1



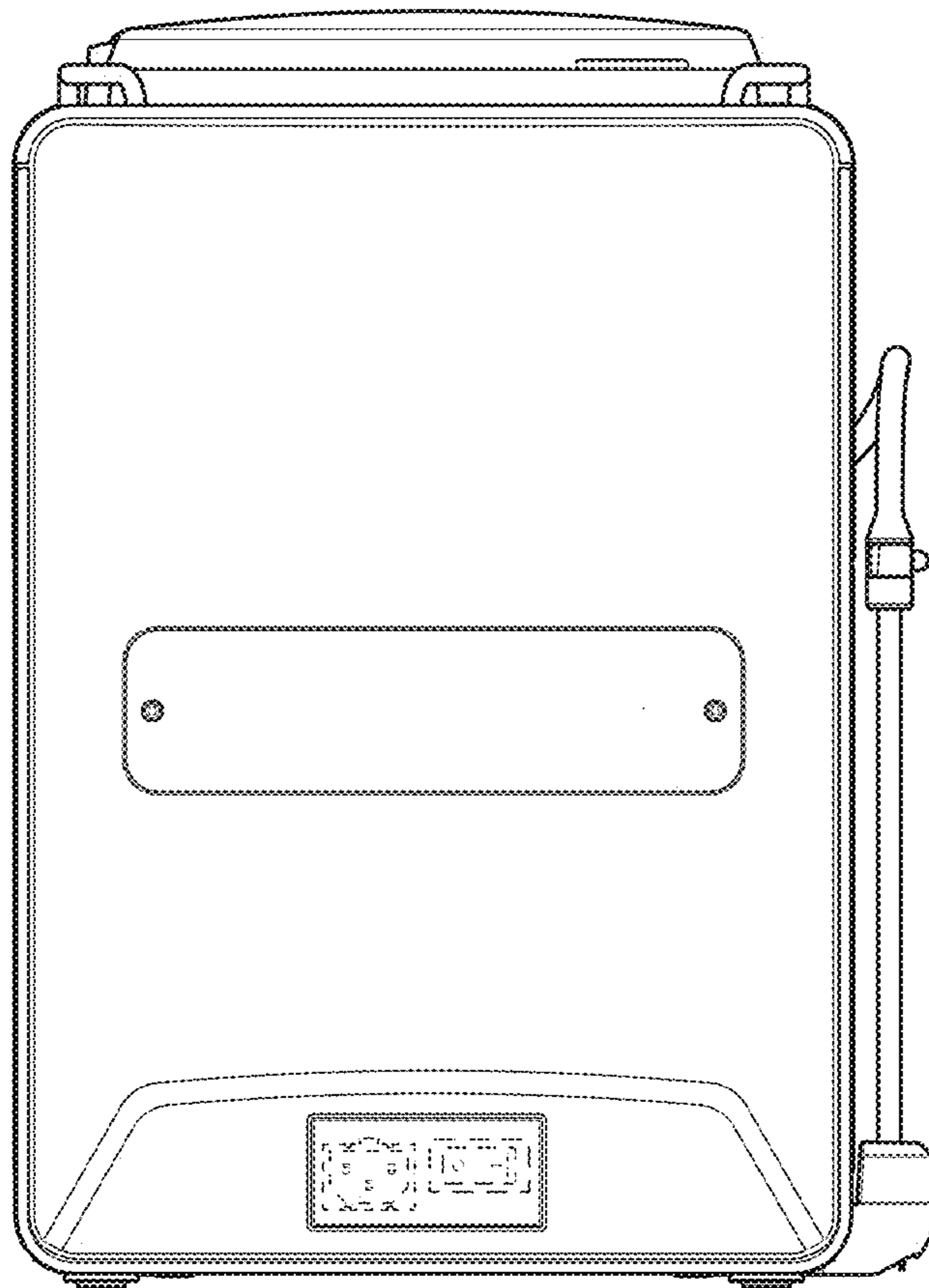
1.2



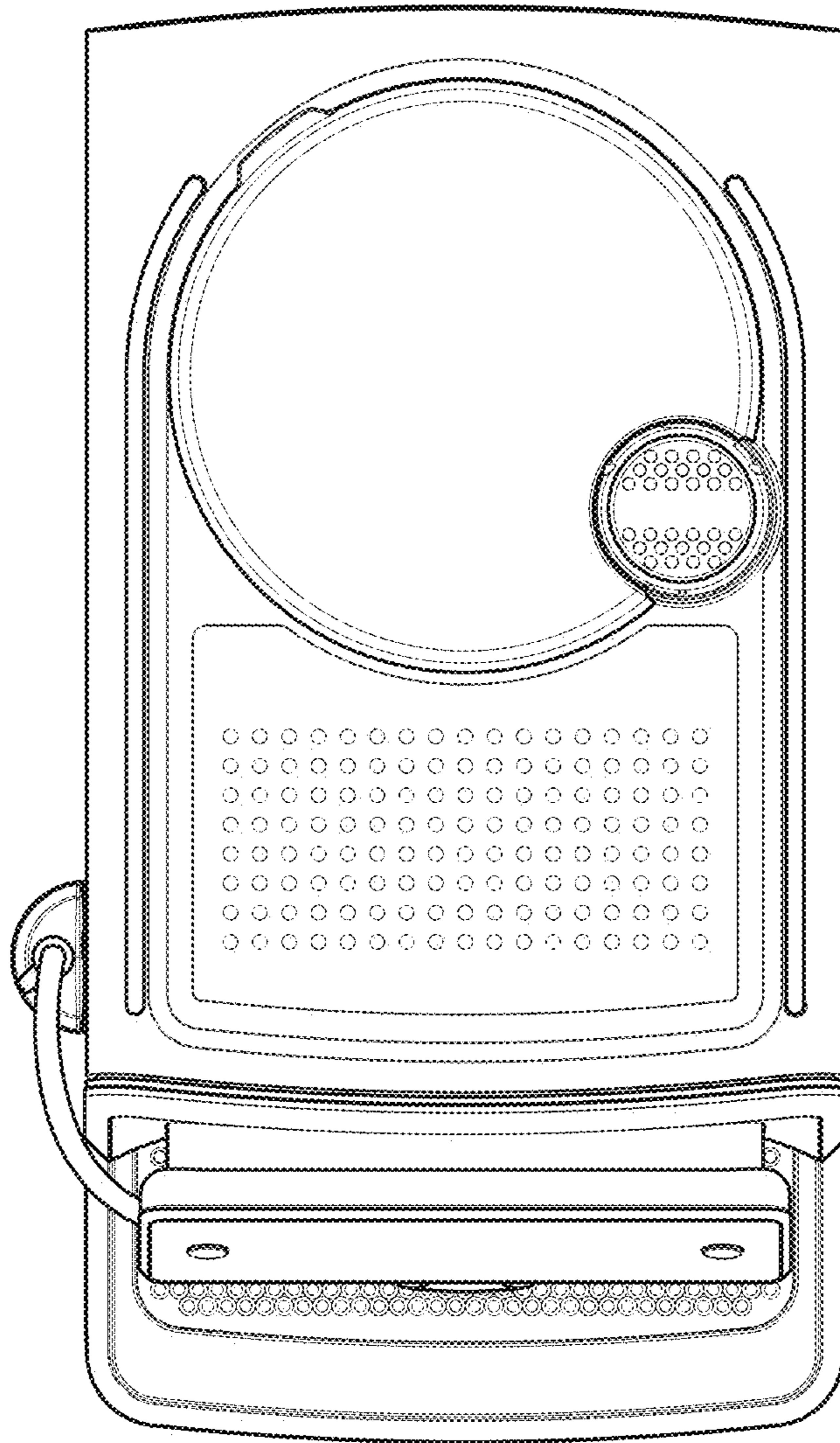
1.3



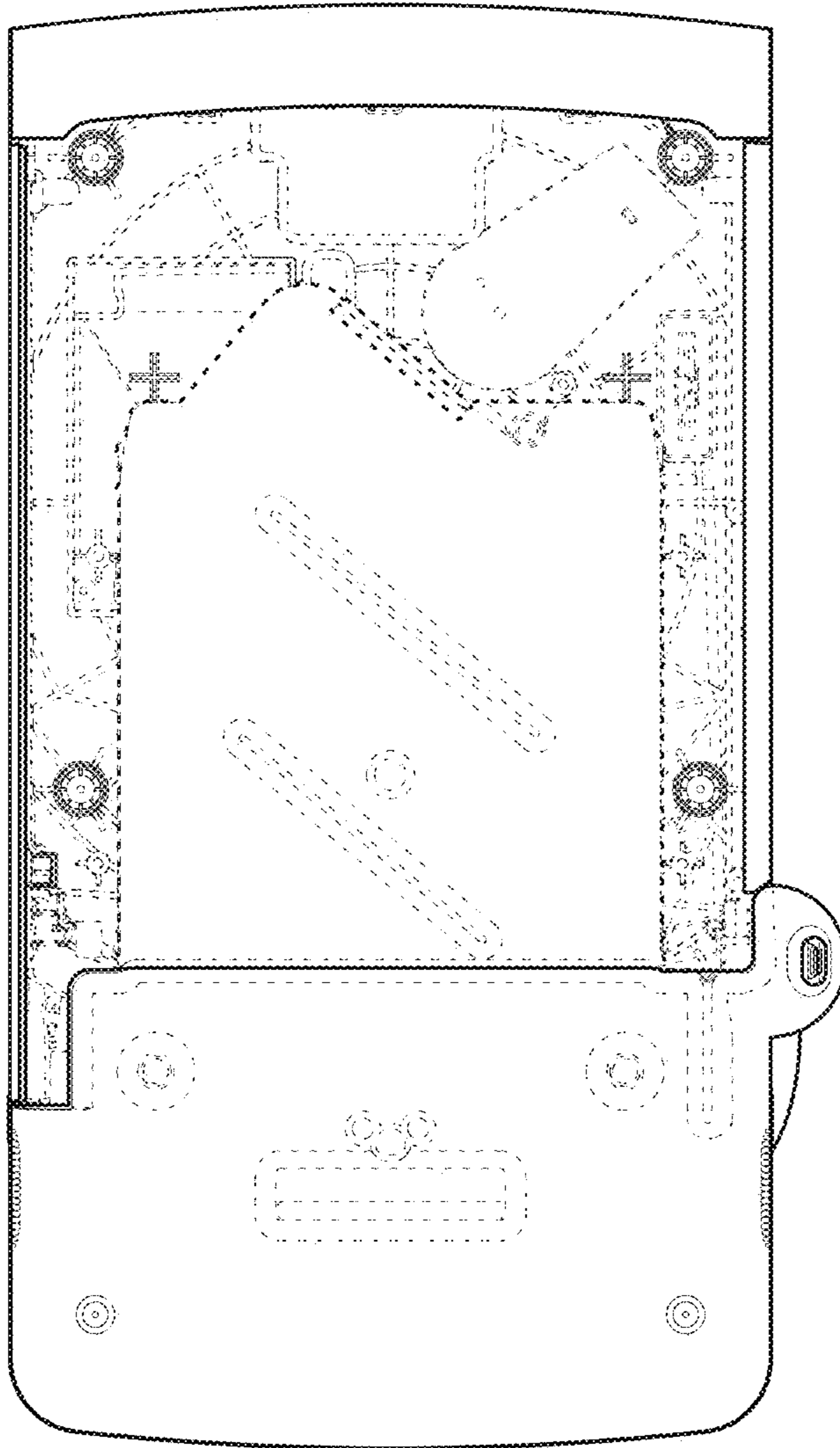
1.4



1.5



1.6



1.7