



US00D931670S

(12) **United States Design Patent** (10) **Patent No.:** **US D931,670 S**  
**Jehs et al.** (45) **Date of Patent:** **\*\* Sep. 28, 2021**

|  |                                     |        |
|--|-------------------------------------|--------|
| (54) <b>CHAIR</b>  | D611,263 S * 3/2010 Werner .....    | D6/366 |
|  | D664,381 S * 7/2012 Kubryk          |        |
| (71) Applicant: <b>HERMAN MILLER, INC.</b> , Zeeland, MI (US)                            | D704,488 S * 5/2014 Massaud .....   | D6/716 |
|  | D717,555 S * 11/2014 Massaud .....  | D6/364 |
|  | D730,098 S * 5/2015 Kubryk          |        |
| (72) Inventors: <b>Markus Jehs</b> , Stuttgart (DE); <b>Jurgen Laub</b> , Stuttgart (DE) | D762,407 S * 8/2016 Kubryk          |        |
|  | D766,640 S * 9/2016 Kubryk          |        |
|  | D799,873 S * 10/2017 Swy            |        |
|  | D799,874 S * 10/2017 Swy            |        |
| (73) Assignee: <b>HERMAN MILLER, INC.</b> , Zeeland, MI (US)                             | D864,638 S * 10/2019 Jehs .....     | D6/716 |
|  | D893,906 S * 8/2020 Lipparini ..... | D6/366 |
|  | D913,712 S * 3/2021 Citterio .....  | D6/366 |

(\*\*) Term: **15 Years**

(21) Appl. No.: **29/728,677**

(22) Filed: **Mar. 20, 2020**

**Related U.S. Application Data**

(60) Continuation of application No. 29/704,233, filed on Sep. 3, 2019, now Pat. No. Des. 880,919, which is a continuation of application No. 16/404,301, filed on May 6, 2019, now abandoned, which is a division of application No. 29/604,384, filed on May 17, 2017, now Pat. No. Des. 864,638.

(51) **LOC (13) Cl.** ..... **06-01**

(52) **U.S. Cl.**  
USPC ..... **D6/716; D6/366**

(58) **Field of Classification Search**  
USPC ..... D6/334-336, 364, 365, 366, 374, 379, D6/380, 716, 716.1, 716.2, 716.3, 716.4  
CPC .. A47C 3/24; A47C 7/021; A47C 7/40; A47C 7/46; A47C 7/16; A47C 7/18; A47C 7/24; A47C 7/54

See application file for complete search history.

(56) **References Cited**

**U.S. PATENT DOCUMENTS**

|                                     |        |
|-------------------------------------|--------|
| D191,705 S * 11/1961 Galloway ..... | D6/365 |
| D195,401 S * 6/1963 Johnson .....   | D6/366 |
| D245,886 S 9/1977 Wilson            |        |

**OTHER PUBLICATIONS**

Knoll Home Design "Womb Chair" <<https://www.knoll.com/product/womb-chair>> web page available as early as Mar. 12, 2017 (8 pages).

\* cited by examiner

*Primary Examiner* — Mimosa De

(74) *Attorney, Agent, or Firm* — Michael Best & Friedrich LLP

(57) **CLAIM**

We claim the ornamental design for a chair, as shown and described.

**DESCRIPTION**

FIG. 1 is a perspective view of a chair embodying the invention.

FIG. 2 is a front view of the chair of FIG. 1.

FIG. 3 is a rear view of the chair of FIG. 1.

FIG. 4 is a first side view of the chair of FIG. 1.

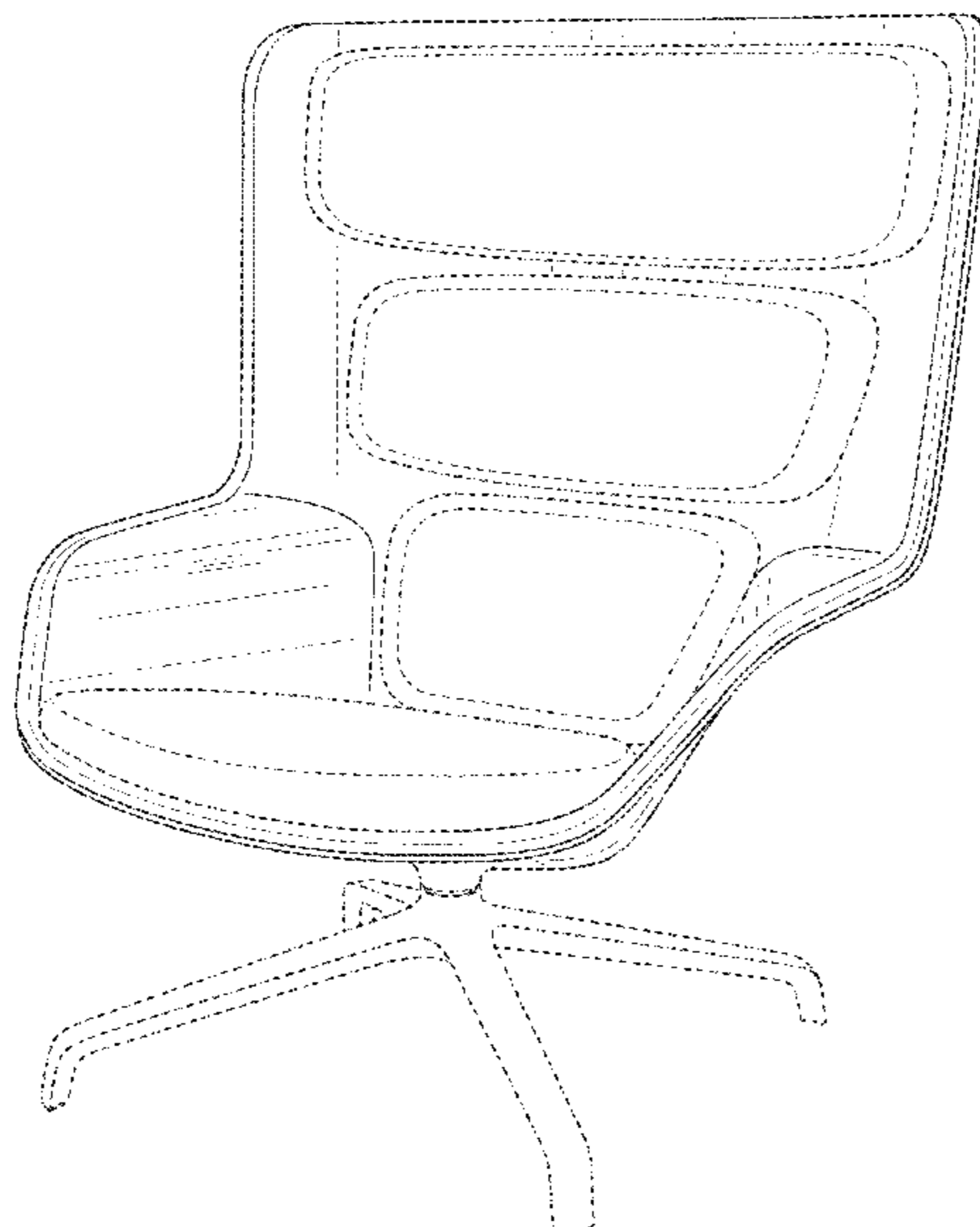
FIG. 5 is a second side view of the chair of FIG. 1.

FIG. 6 is a top view of the chair of FIG. 1; and,

FIG. 7 is a bottom view of the chair of FIG. 1.

Portions of the chair shown in broken lines are for illustrative purposes only and form no part of the claimed design.

**1 Claim, 7 Drawing Sheets**



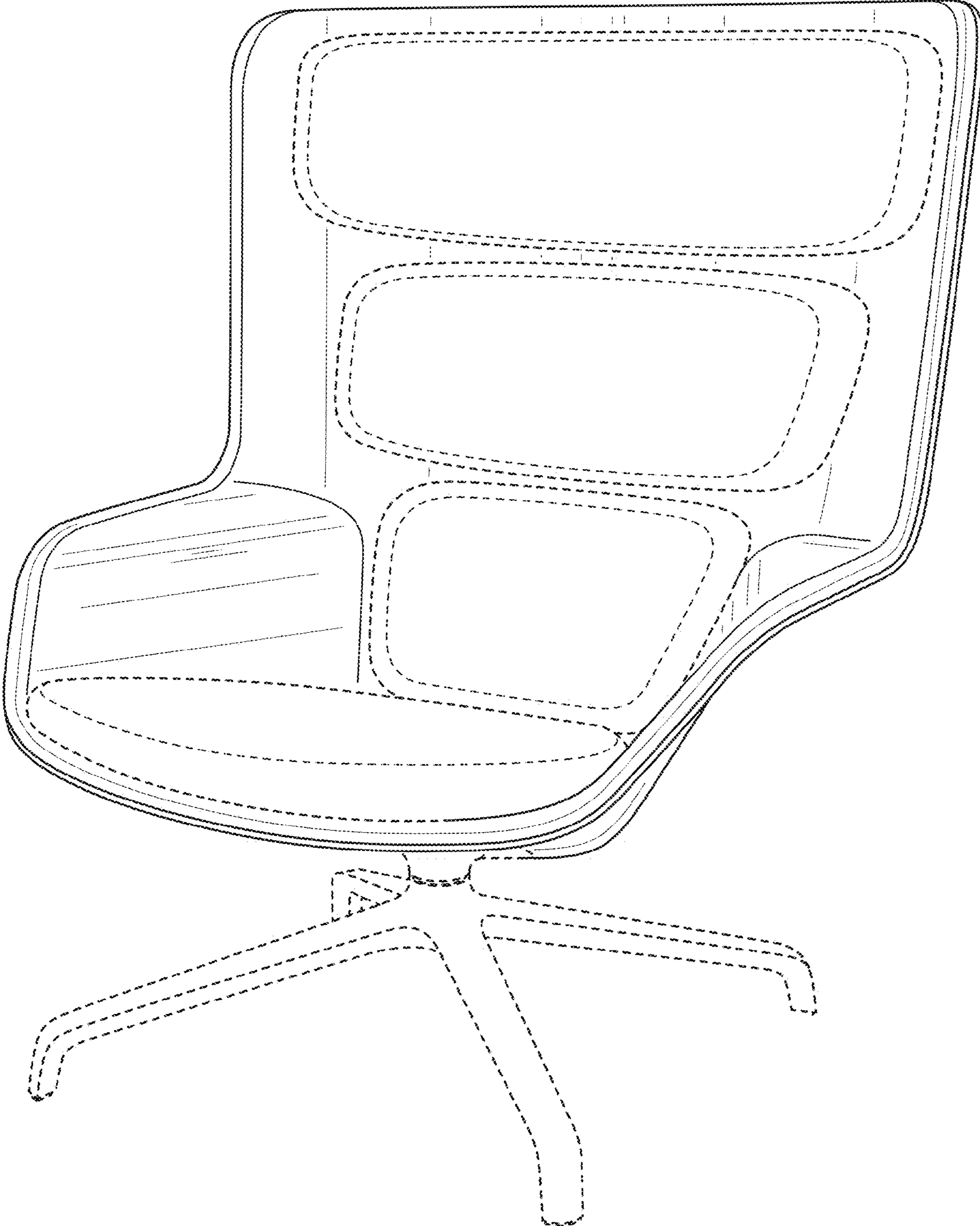


FIG. 1

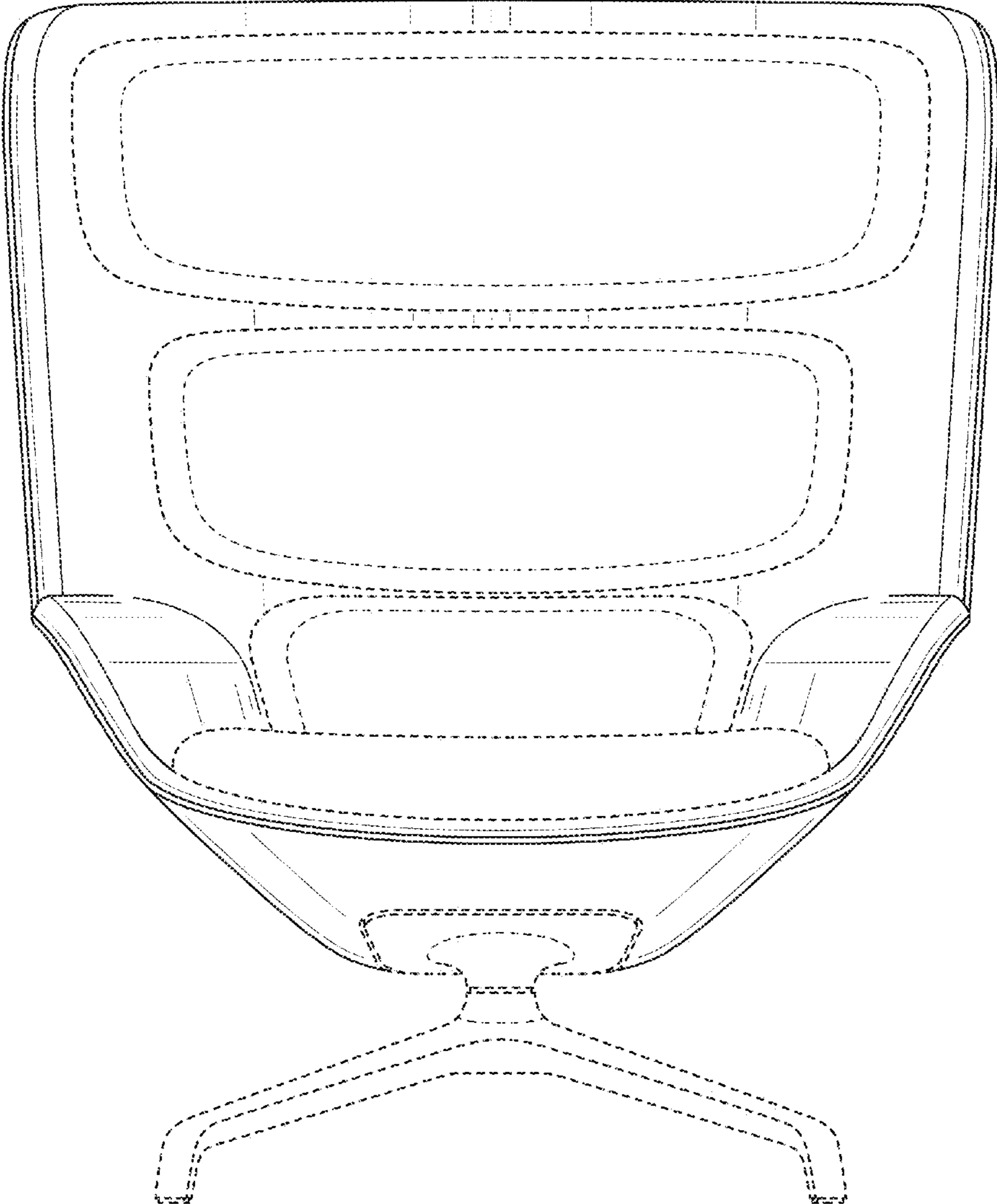


FIG. 2

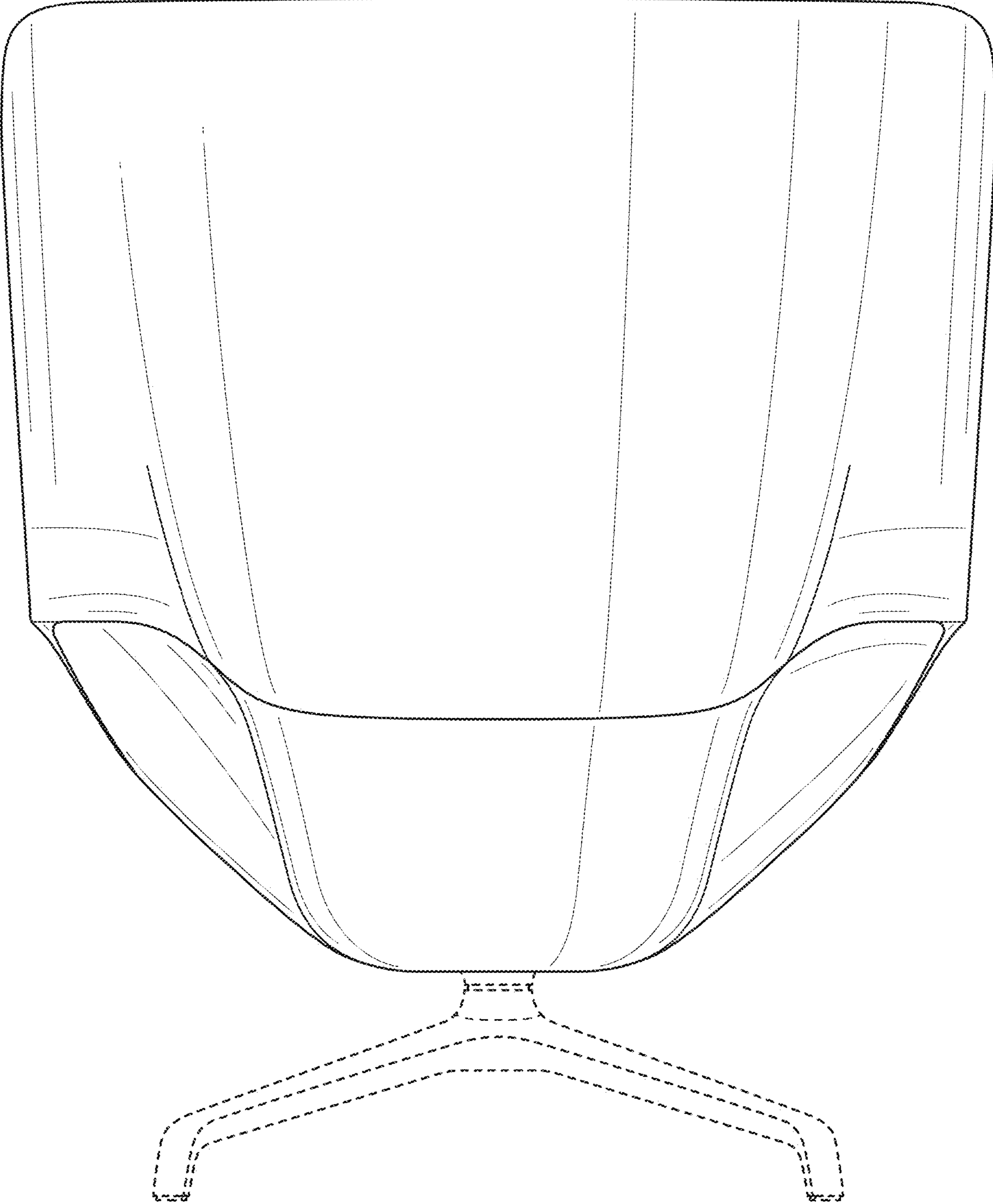


FIG. 3

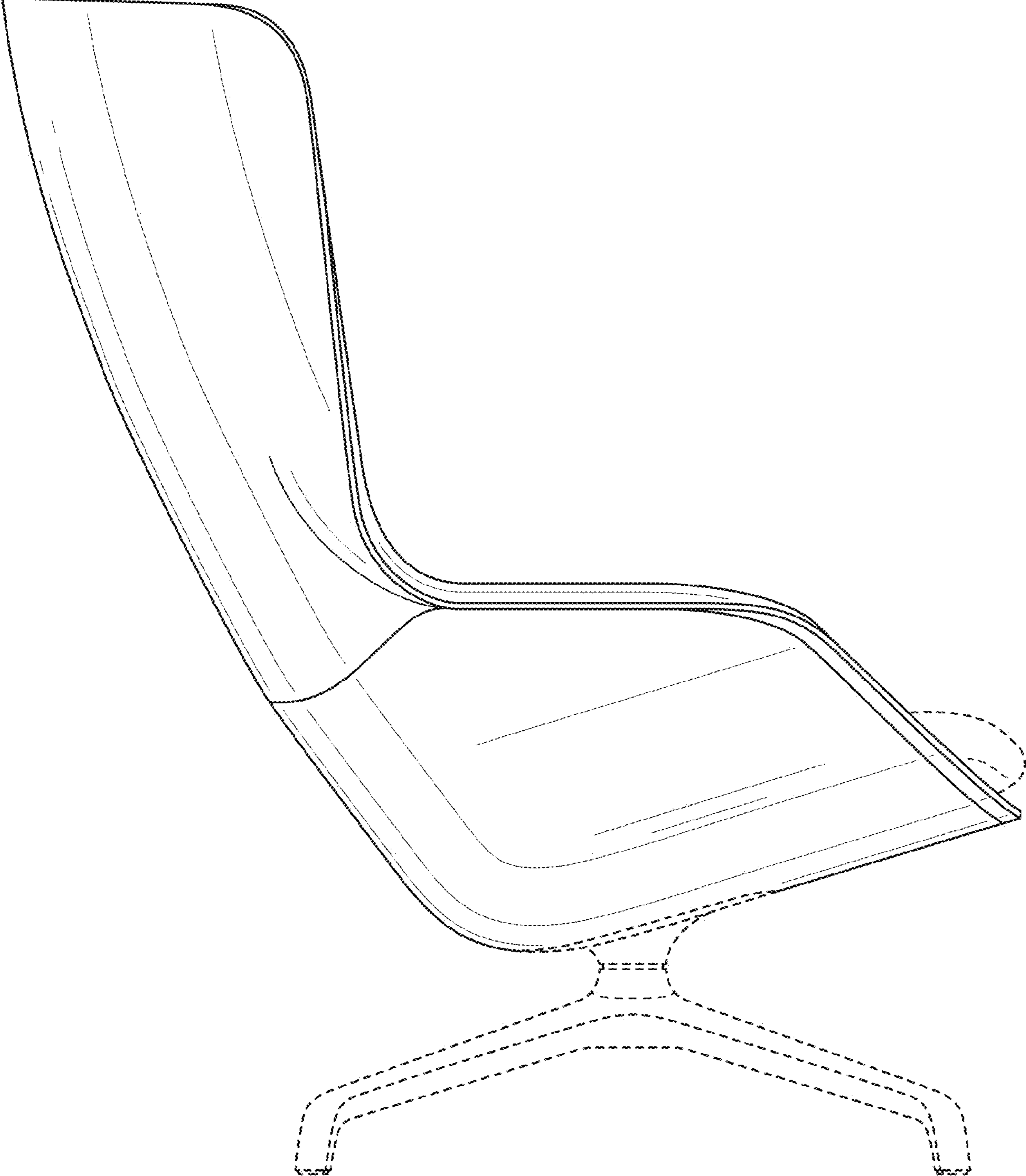


FIG. 4

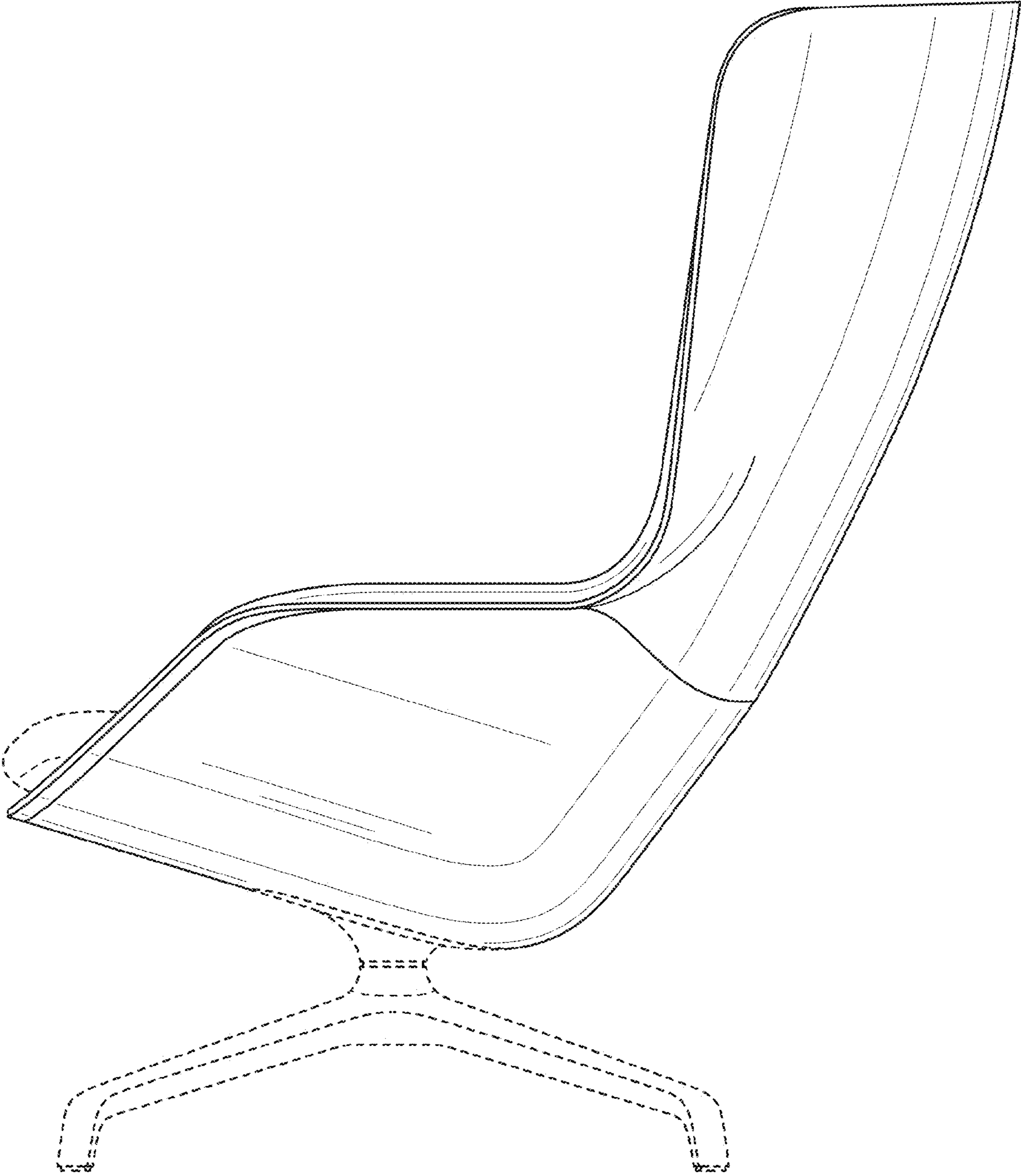


FIG. 5

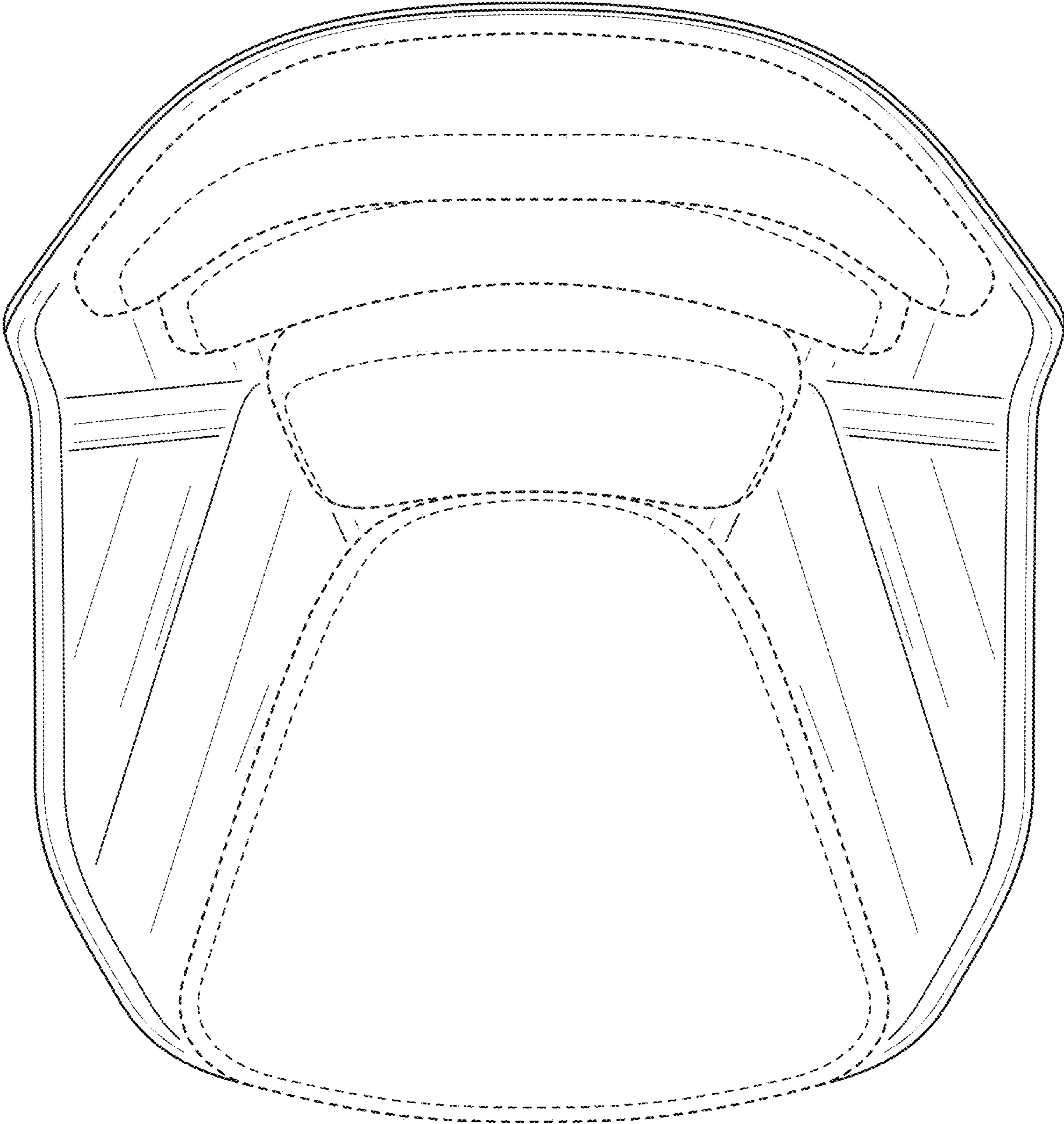


FIG. 6

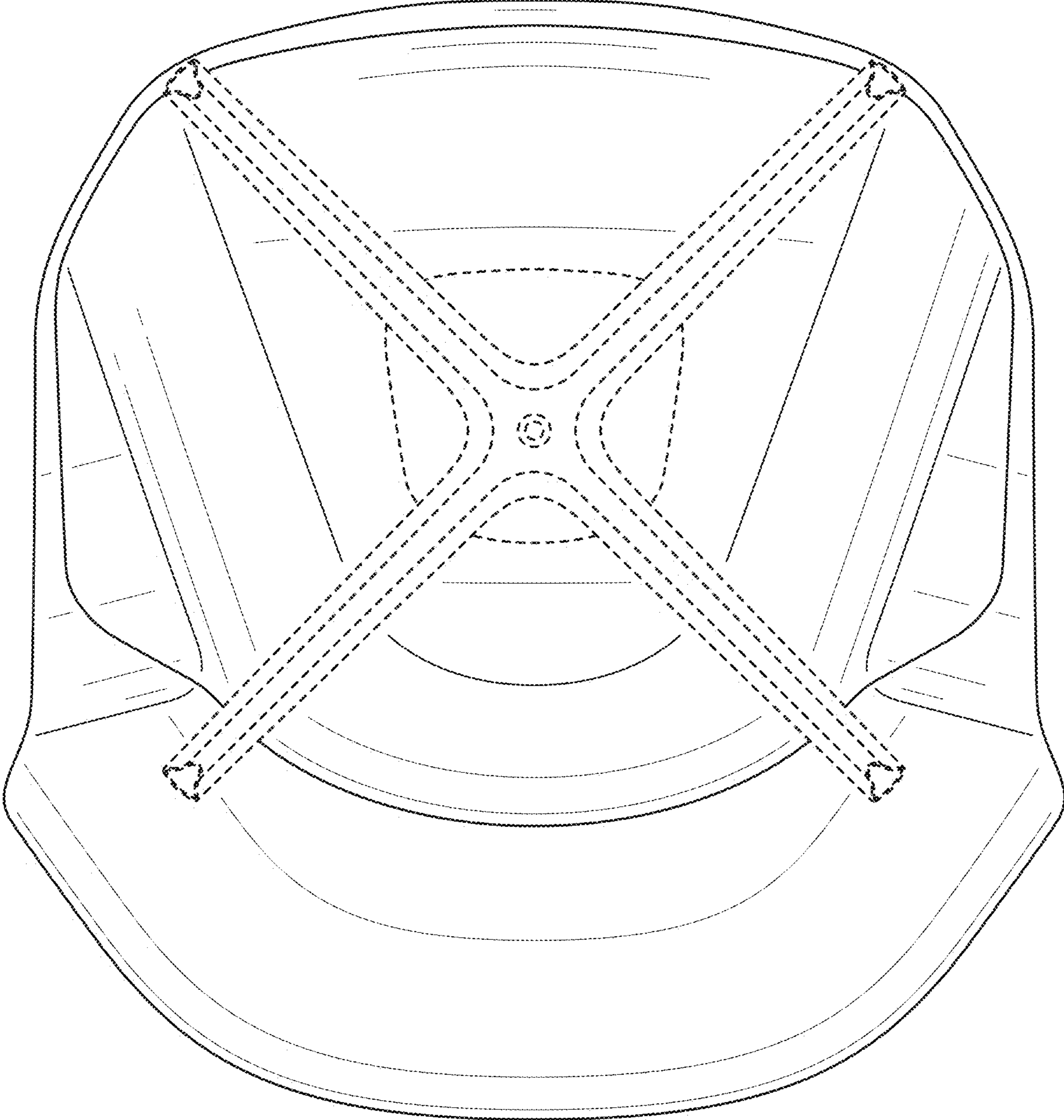


FIG. 7