



US00D931669S

(12) **United States Design Patent** (10) **Patent No.:** **US D931,669 S**
Li (45) **Date of Patent:** **** Sep. 28, 2021**

(54) **CHAIR**
(71) Applicant: **Homy Casa Limited**, Hong Kong (HK)
(72) Inventor: **YueHai Li**, Guangzhou (CN)
(73) Assignee: **HOMY CASA LIMITED**, Hong Kong (HK)
(**) Term: **15 Years**
(21) Appl. No.: **29/701,311**
(22) Filed: **Aug. 9, 2019**
(51) **LOC (13) Cl.** **06-01**
(52) **U.S. Cl.**
USPC **D6/716; D6/366**
(58) **Field of Classification Search**
USPC D6/334-336, 360, 364, 365, 366, 367,
D6/372, 373, 374, 375, 716, 716.1, 716.2,
D6/716.4
CPC .. A47C 3/12; A47C 3/18; A47C 4/028; A47C
7/004; A47C 7/006; A47C 7/02; A47C
7/18; A47C 7/24; A47C 7/40; A47C 7/54
See application file for complete search history.

D815,449 S * 4/2018 Hannoosh D6/374
D876,116 S * 2/2020 Ji D6/374
D905,985 S * 12/2020 Li D6/360

OTHER PUBLICATIONS

Office Task Chair Swivel Chair, Date First Available on Amazon.com Jan. 18, 2020, pp. 1 and 5, https://www.amazon.com/DM-Furniture-Computer-Armless-Adjustable/dp/B0841C6DCD/ref=sr_1_74?dchild=1&keywords=Office+Chair+Armless&qid=1612920877&sr=8-74 (Year: 2020).*

* cited by examiner

Primary Examiner — Mimosa De

(74) *Attorney, Agent, or Firm* — Hauptman Ham, LLP

(57) **CLAIM**

The ornamental design for a chair, as shown and described.

DESCRIPTION

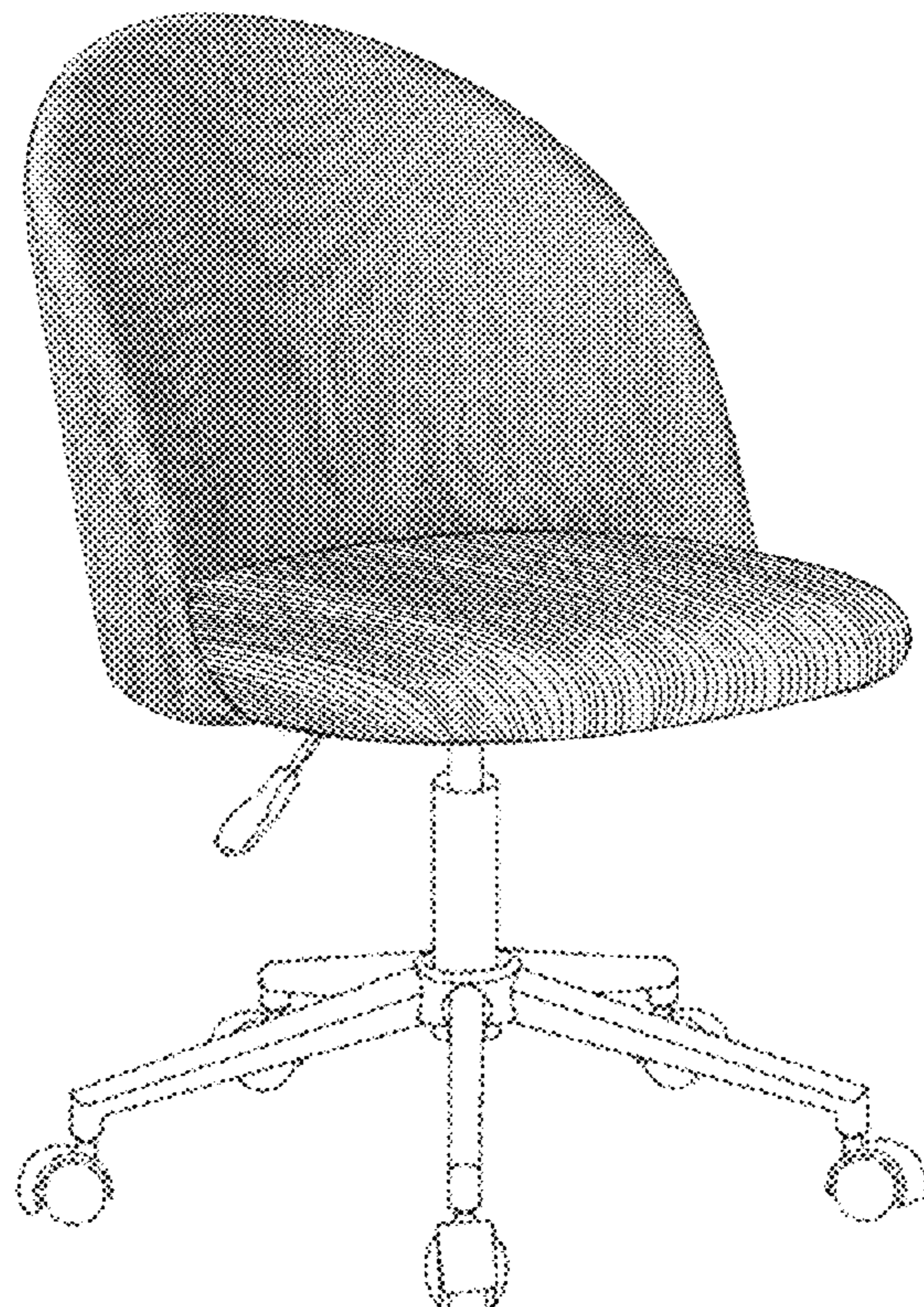
FIG. 1 is a front view of a chair bearing the design. FIG. 2 is a back view of the chair of FIG. 1. FIG. 3 is a left side view of the chair of FIG. 1. FIG. 4 is a right side view of the chair of FIG. 1. FIG. 5 is a top view of the chair of FIG. 1. FIG. 6 is a bottom view of the chair of FIG. 1; and, FIG. 7 is a perspective view of the chair of FIG. 1. The broken lines showing a portion of the chair form no part of the claimed design.

1 Claim, 7 Drawing Sheets

(56) **References Cited**

U.S. PATENT DOCUMENTS

D173,389 S * 11/1954 Sherman D6/375
D602,706 S * 10/2009 Cramer D6/334
D698,191 S * 1/2014 Kubryk D6/716
D729,562 S * 5/2015 Kubryk D6/716
D811,757 S * 3/2018 Moscheri D6/374



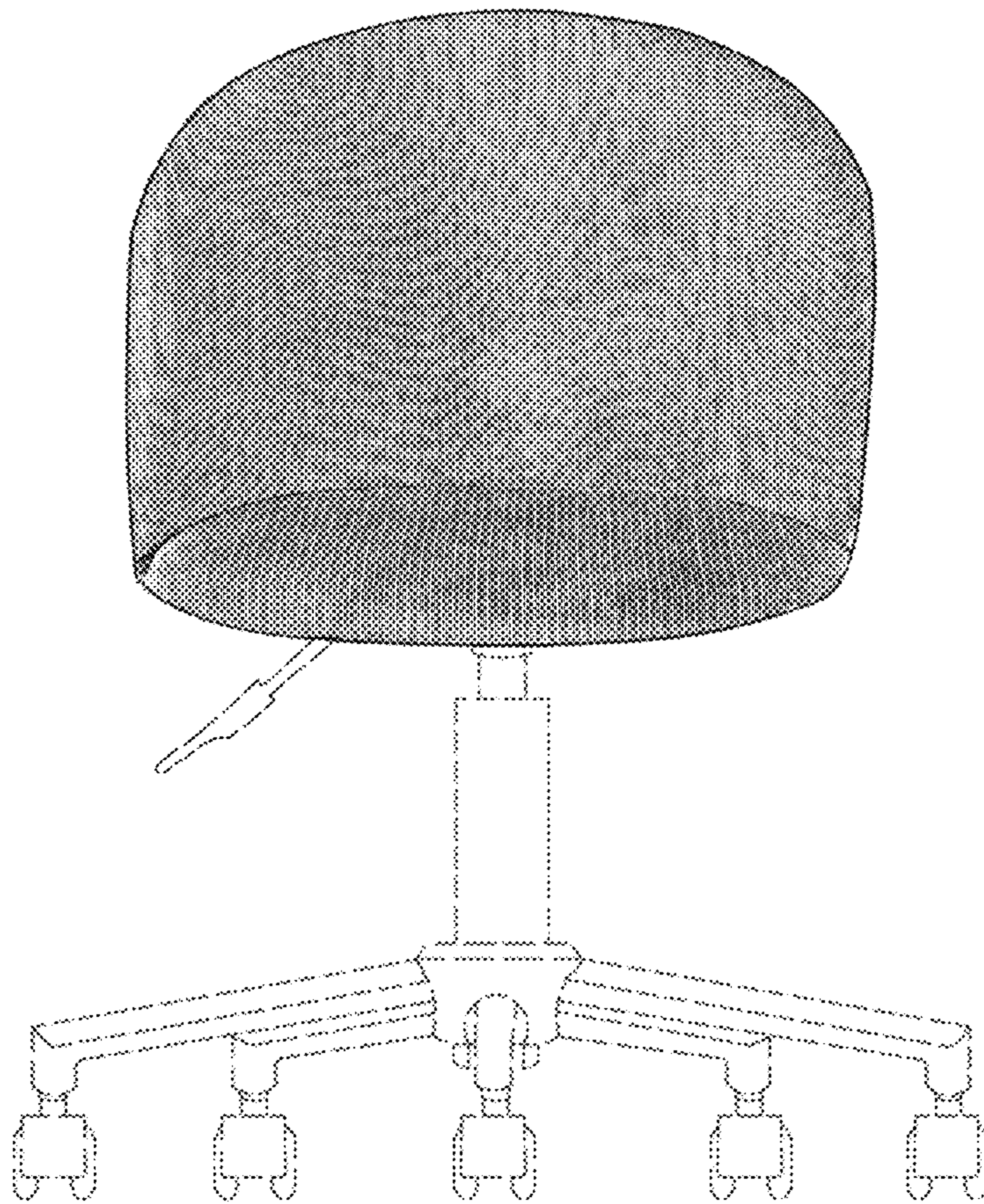


FIG. 1

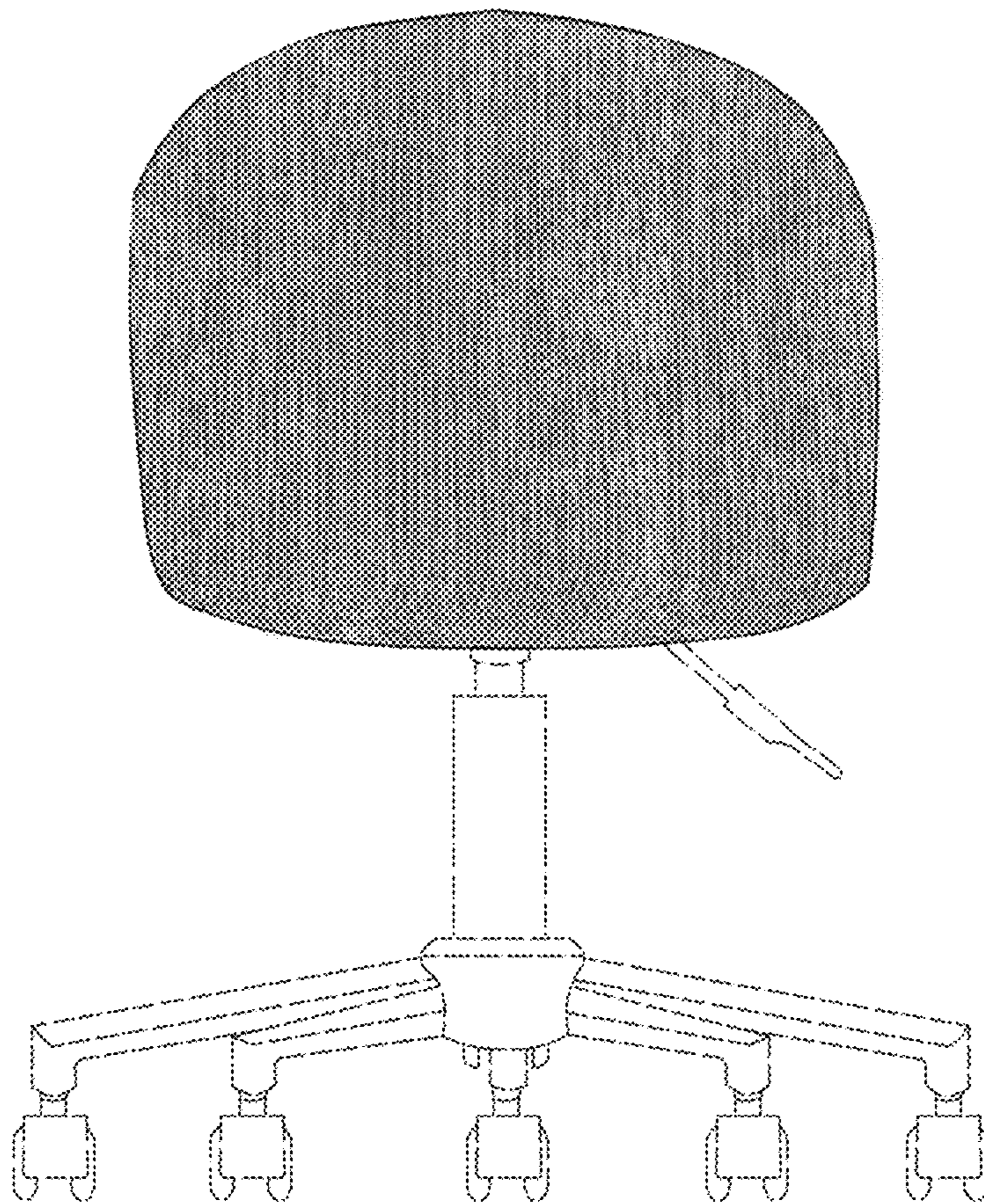


FIG. 2

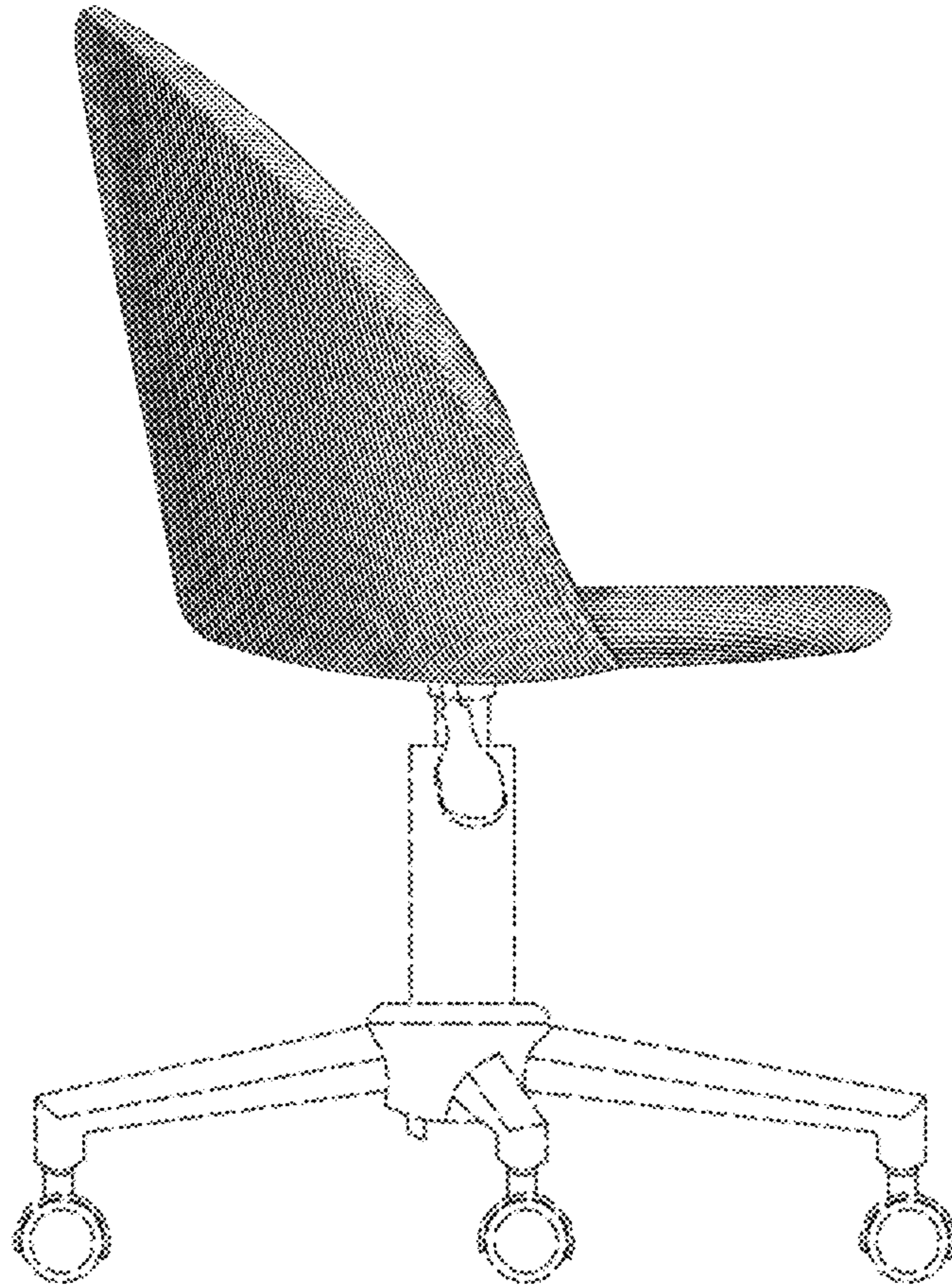


FIG. 3

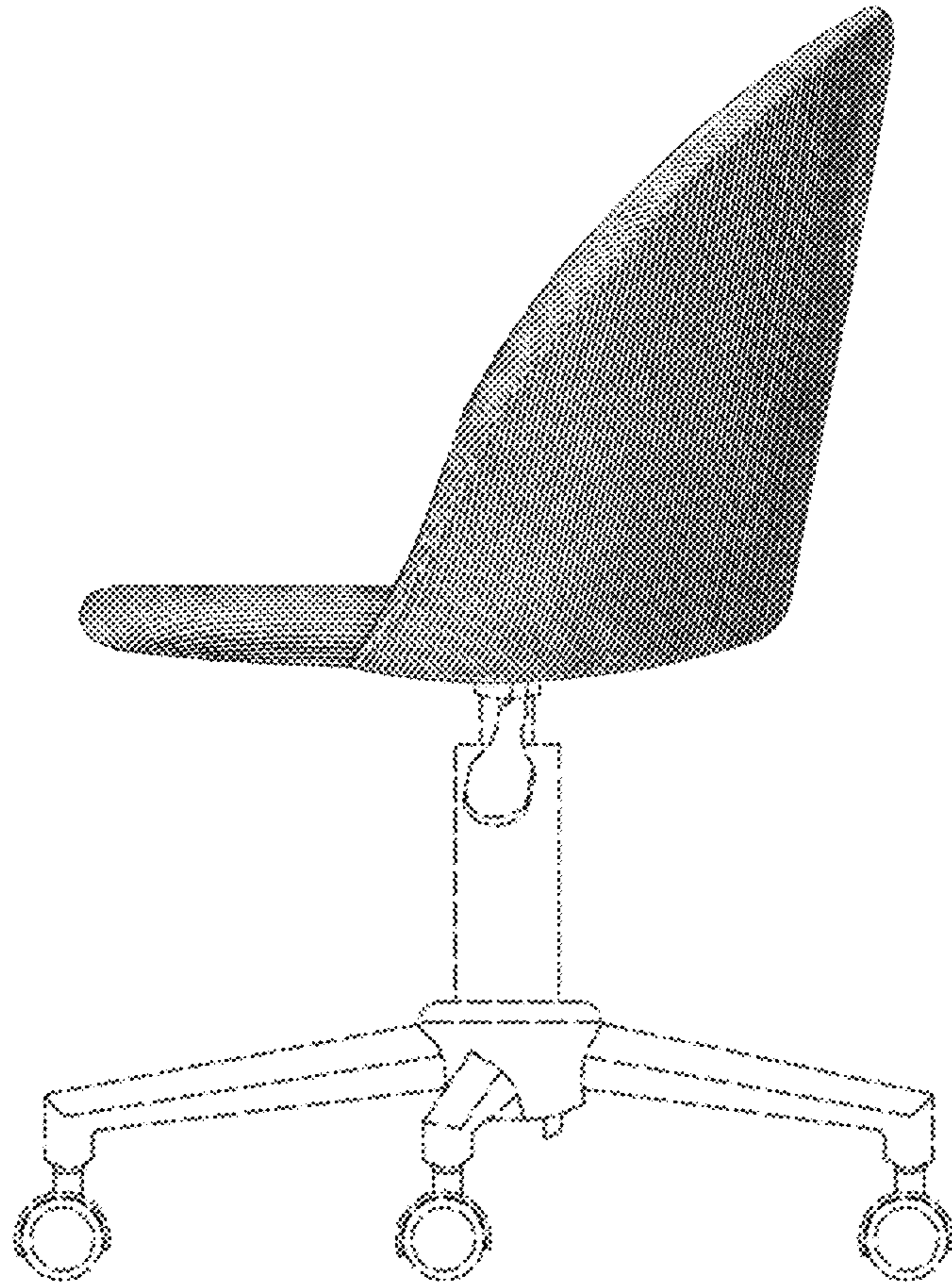


FIG. 4

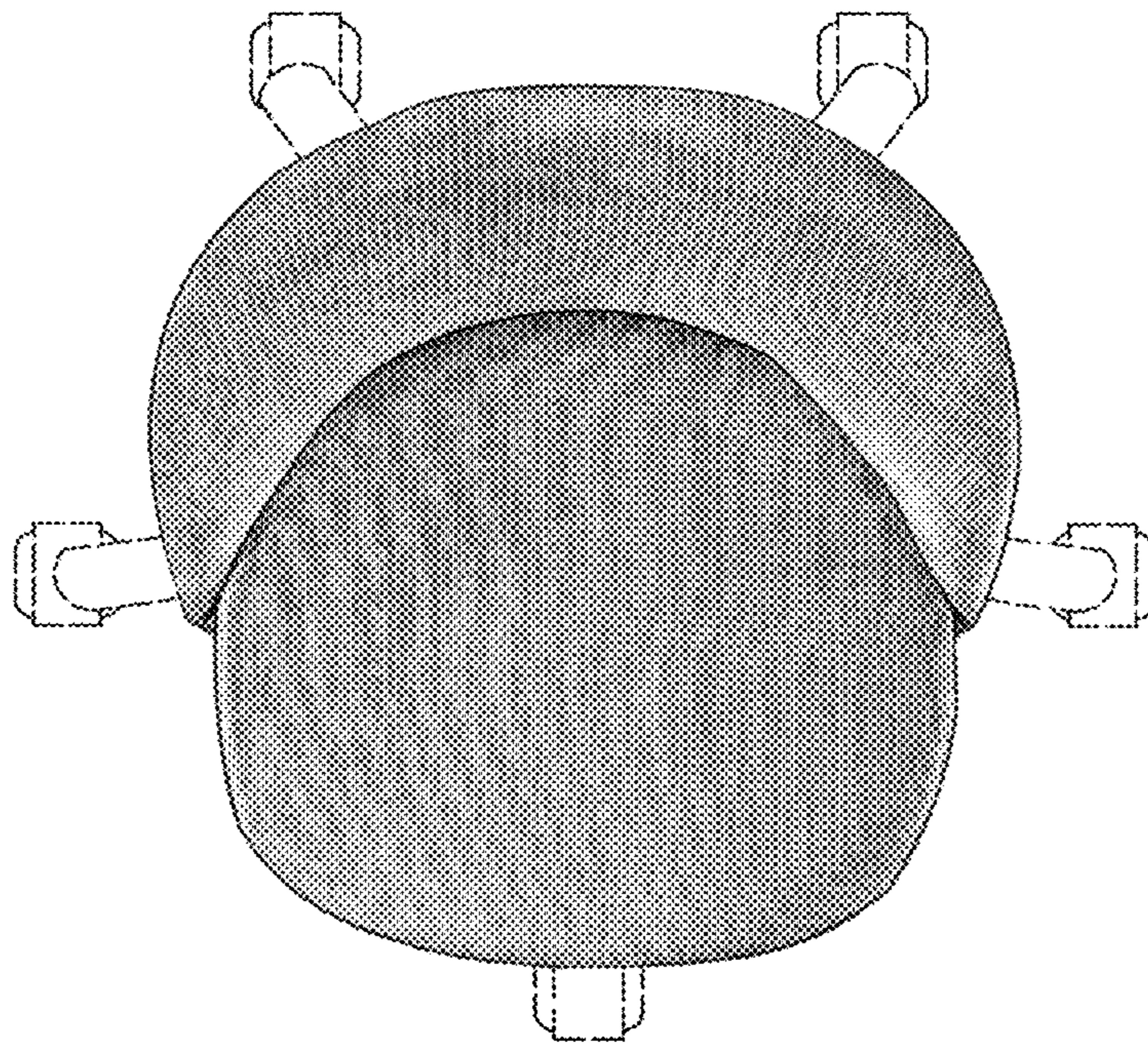


FIG. 5

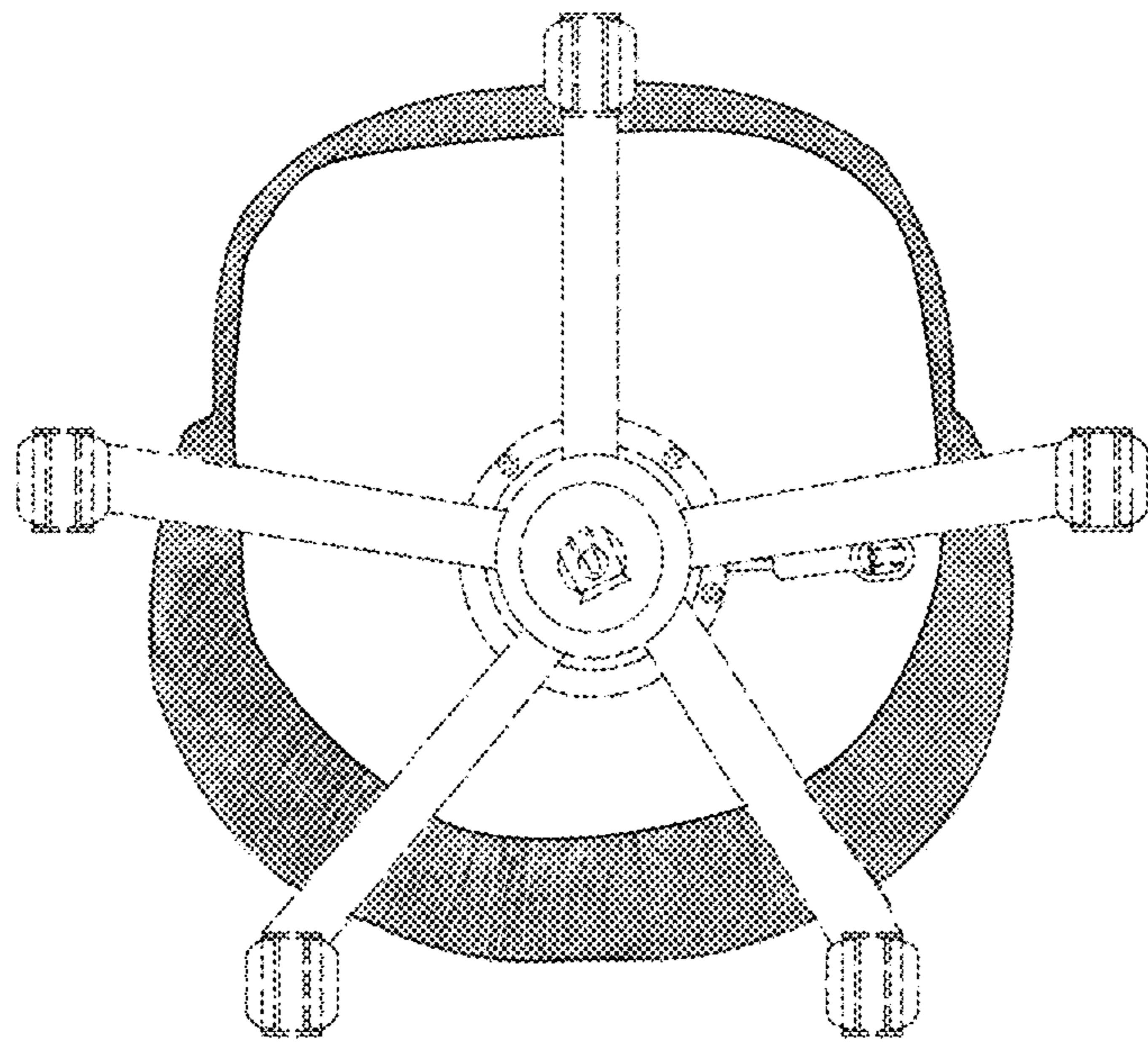


FIG. 6

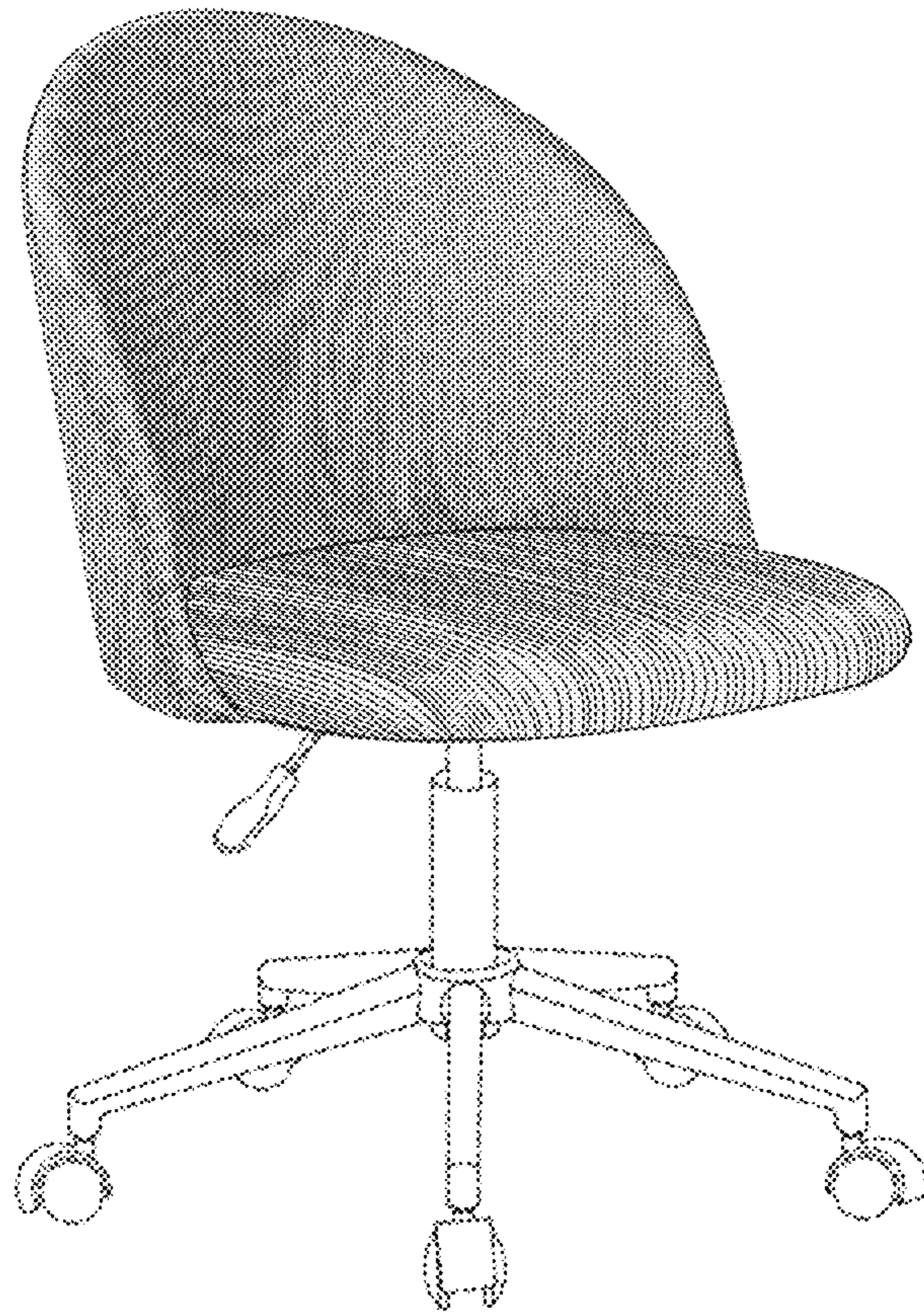


FIG. 7