

US00D931666S

(12) **United States Design Patent** (10) **Patent No.:** **US D931,666 S**
Evans et al. (45) **Date of Patent:** **** Sep. 28, 2021**

(54) **FOLDABLE TABLE**

DESCRIPTION

(71) Applicant: **Broome Jenkins Limited**, Chichester (GB)
(72) Inventors: **Julian Evans**, Chichester (GB); **Barry Jenkins**, Chichester (GB)
(73) Assignee: **Broome Jenkins Limited**, Chichester (GB)
(**) Term: **15 Years**
(21) Appl. No.: **29/687,809**
(22) Filed: **Apr. 16, 2019**
(30) **Foreign Application Priority Data**
Oct. 17, 2018 (EM) 005800778-0001
Oct. 17, 2018 (EM) 005800778-0003
(Continued)

(51) **LOC (13) Cl.** **06-03**
(52) **U.S. Cl.**
USPC **D6/691.6; D6/686**
(58) **Field of Classification Search**
USPC D6/565, 565.13, 656.16, 685, 686, 691,
D6/691.1-691.9, 702, 707.17, 708,
D6/708.16, 708.22, 708.29
(Continued)

(56) **References Cited**
U.S. PATENT DOCUMENTS
D574,164 S * 8/2008 Lambert D6/656
D598,213 S * 8/2009 Frederking D6/691.6
(Continued)

Primary Examiner — Mary Ann Calabrese
(74) *Attorney, Agent, or Firm* — Stetina Brunda Garred Brucker

(57) **CLAIM**
The ornamental design for a foldable table, as shown and described.

FIG. 1 is a perspective view of a first embodiment of a foldable table, in a folded configuration;
FIG. 2 is a front view thereof;
FIG. 3 is a rear view thereof;
FIG. 4 is right side view thereof;
FIG. 5 is a left side view thereof;
FIG. 6 is a top plan view thereof;
FIG. 7 is a bottom plan view thereof;
FIG. 8 is a perspective view of the foldable table of FIG. 1, shown in an unfolded configuration;
FIG. 9 is a front view thereof;
FIG. 10 is a rear view thereof;
FIG. 11 is right side view thereof;
FIG. 12 is a left side view thereof;
FIG. 13 is a top plan view thereof;
FIG. 14 is a bottom plan view thereof;
FIG. 15 is a perspective view of a second embodiment of a foldable, in a folded configuration;
FIG. 16 is a left perspective view thereof;
FIG. 17 is a front view thereof;
FIG. 18 is a rear view thereof;
FIG. 19 is right side view thereof;
FIG. 20 is a left side view thereof;
FIG. 21 is a top plan view thereof;
FIG. 22 is a bottom plan view thereof;
FIG. 23 is a perspective view of the foldable table of FIG. 15, shown in an unfolded configuration;
FIG. 24 is a front view thereof;
FIG. 25 is a rear view thereof;
FIG. 26 is right side view thereof;
FIG. 27 is a left side view thereof;
FIG. 28 is a top plan view thereof;
FIG. 29 is a bottom plan view thereof;
FIG. 30 is a perspective view of a third embodiment of a foldable table, in a folded configuration;
FIG. 31 is a front view thereof;
FIG. 32 is a rear view thereof;
FIG. 33 is right side view thereof;
FIG. 34 is a left side view thereof;
FIG. 35 is a top plan view thereof;
FIG. 36 is a bottom plan view thereof;

(Continued)

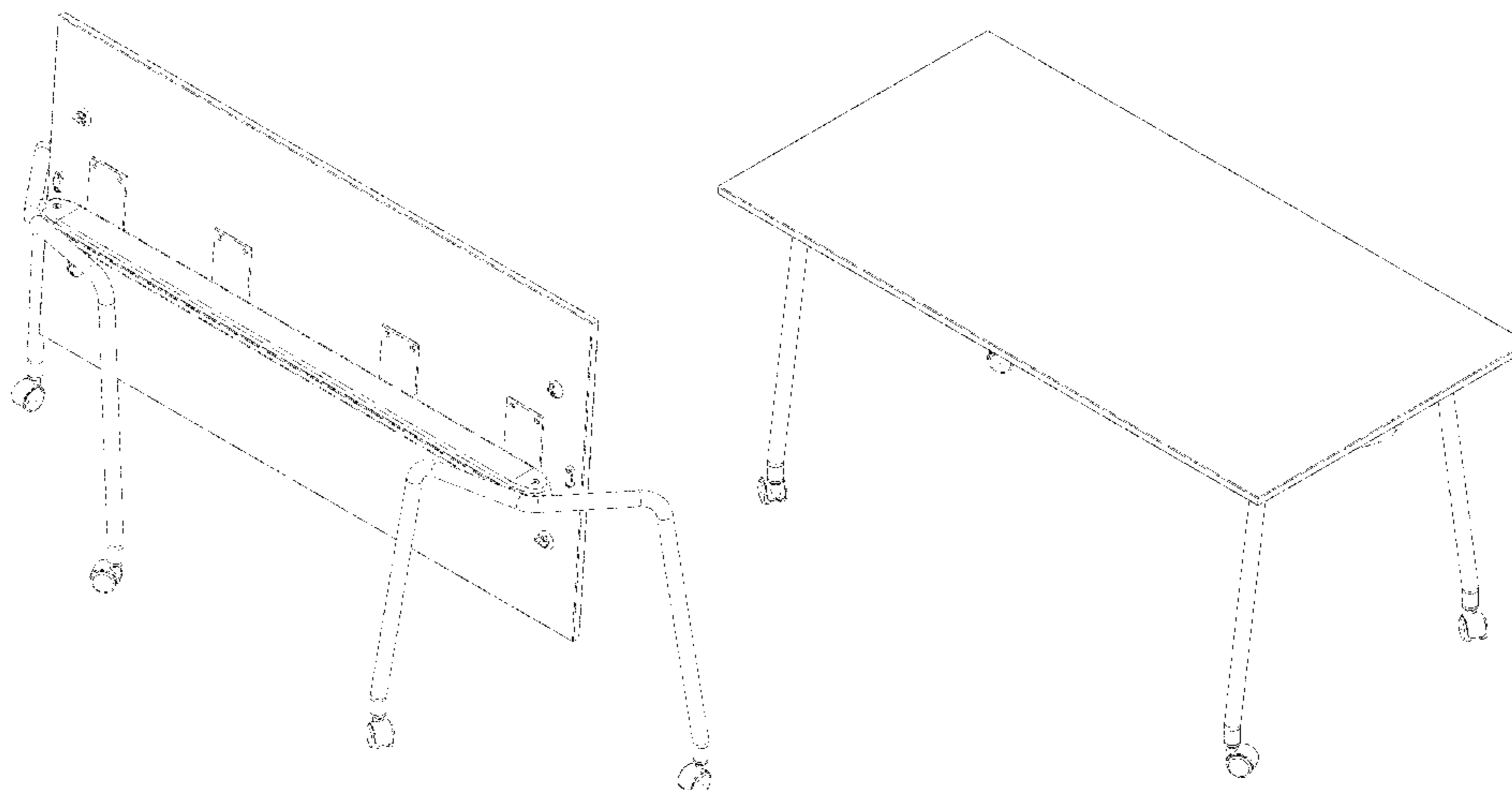


FIG. 37 is a perspective view of a foldable table of FIG. 30, shown in an unfolded configuration;
 FIG. 38 is a front view thereof;
 FIG. 39 is a rear view thereof;
 FIG. 40 is right side view thereof;
 FIG. 41 is a left side view thereof;
 FIG. 42 is a top plan view thereof;
 FIG. 43 is a bottom plan view thereof;
 FIG. 44 is a perspective view of a fourth embodiment of a foldable table, in a folded configuration;
 FIG. 45 is a left perspective view thereof;
 FIG. 46 is a front view thereof;
 FIG. 47 is a rear view thereof;
 FIG. 48 is right side view thereof;
 FIG. 49 is a left side view thereof;
 FIG. 50 is a top plan view thereof;
 FIG. 51 is a bottom plan view thereof;
 FIG. 52 is a perspective view of a foldable table of FIG. 44, shown in an unfolded configuration;
 FIG. 53 is a front view thereof;
 FIG. 54 is a rear view thereof;
 FIG. 55 is right side view thereof;
 FIG. 56 is a left side view thereof;
 FIG. 57 is a top plan view thereof; and,
 FIG. 58 is a bottom plan view thereof.

1 Claim, 46 Drawing Sheets

(30) **Foreign Application Priority Data**

Oct. 17, 2018	(EM)	005800778-0004
Dec. 19, 2018	(CN)	201830736899.2
Jan. 21, 2019	(EM)	006080578-0001
Jan. 21, 2019	(EM)	006080578-0003
Jan. 21, 2019	(EM)	006080578-0004

(58) **Field of Classification Search**
 CPC .. A47B 3/00; A47B 3/002; A47B 3/08; A47B 3/083; A47B 7/00; A47B 13/00; A47B 13/02; A47B 13/04; A47B 13/06; A47B 13/08; A47B 13/12; A47B 21/00; A47B 2200/0001; A47B 2200/0011; A47B 2200/002; A47B 2200/0037
 See application file for complete search history.

(56) **References Cited**

U.S. PATENT DOCUMENTS

D623,878	S *	9/2010	Jacobsen	D6/707.17
D878,124	S *	3/2020	Su	D6/708.16
D878,125	S *	3/2020	Su	D6/708.16
D897,136	S *	9/2020	Pensi	A47B 21/00 D6/656.17
2008/0295742	A1 *	12/2008	Henriott	A47B 21/00 108/6
2011/0036277	A1 *	2/2011	Prendergast	A47B 3/00 108/50.11
2011/0139042	A1 *	6/2011	Korb	A47B 3/00 108/115

* cited by examiner

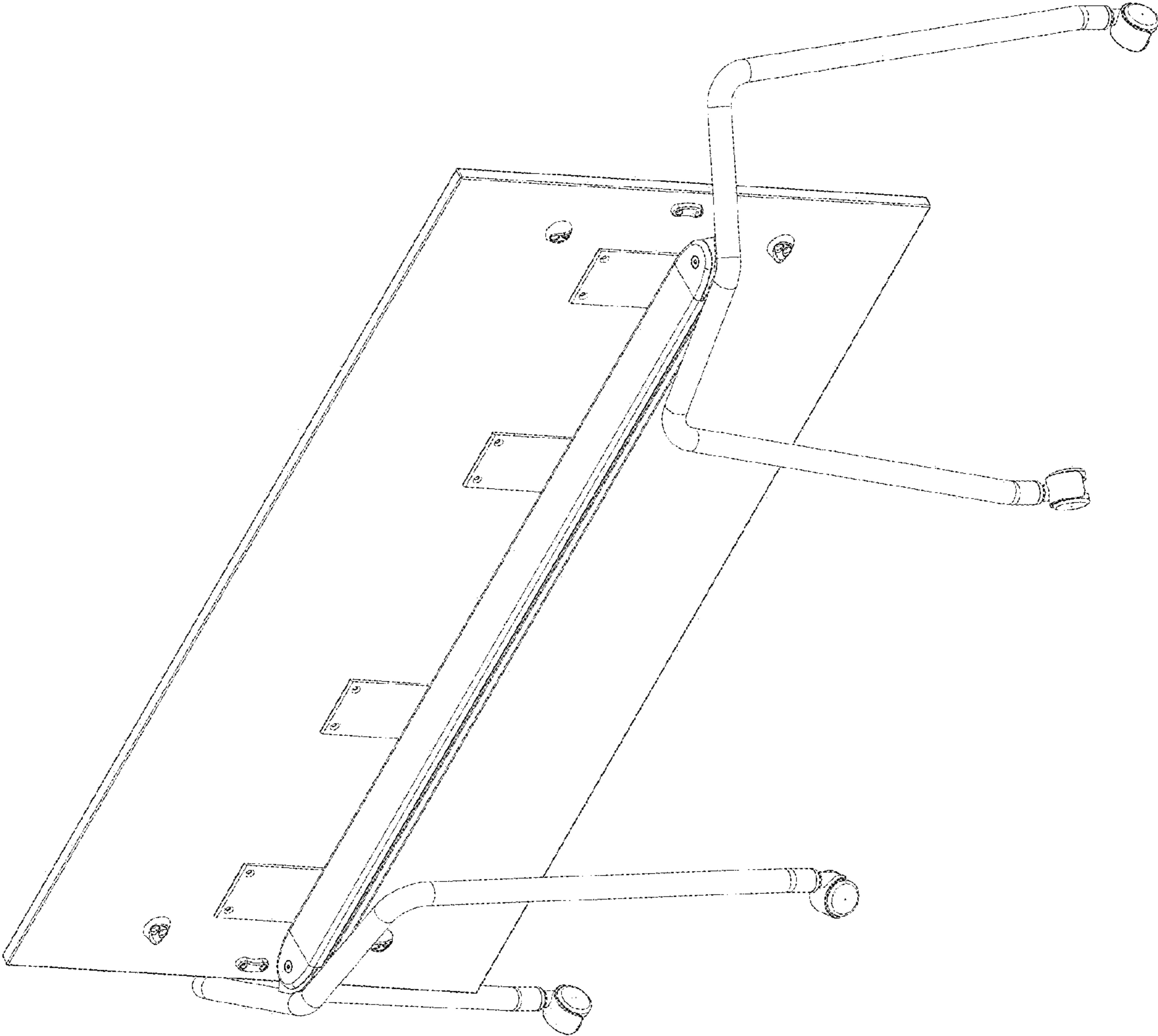


FIG. 1

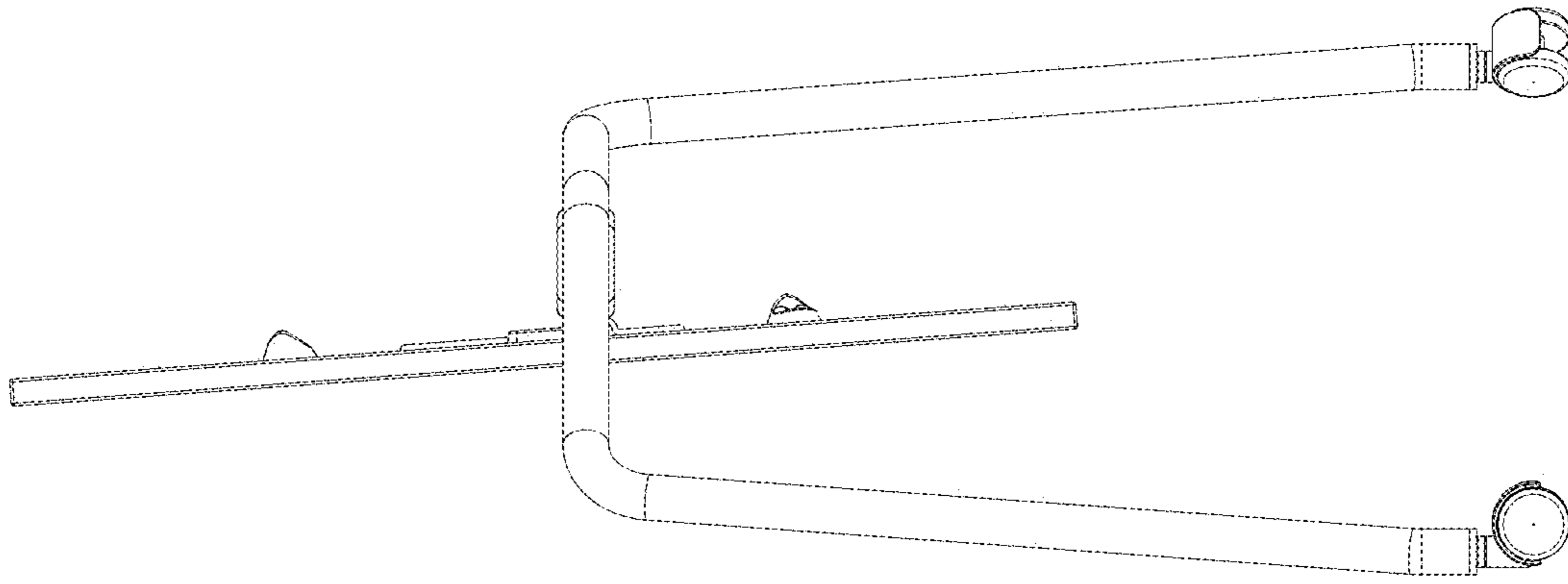


FIG. 3

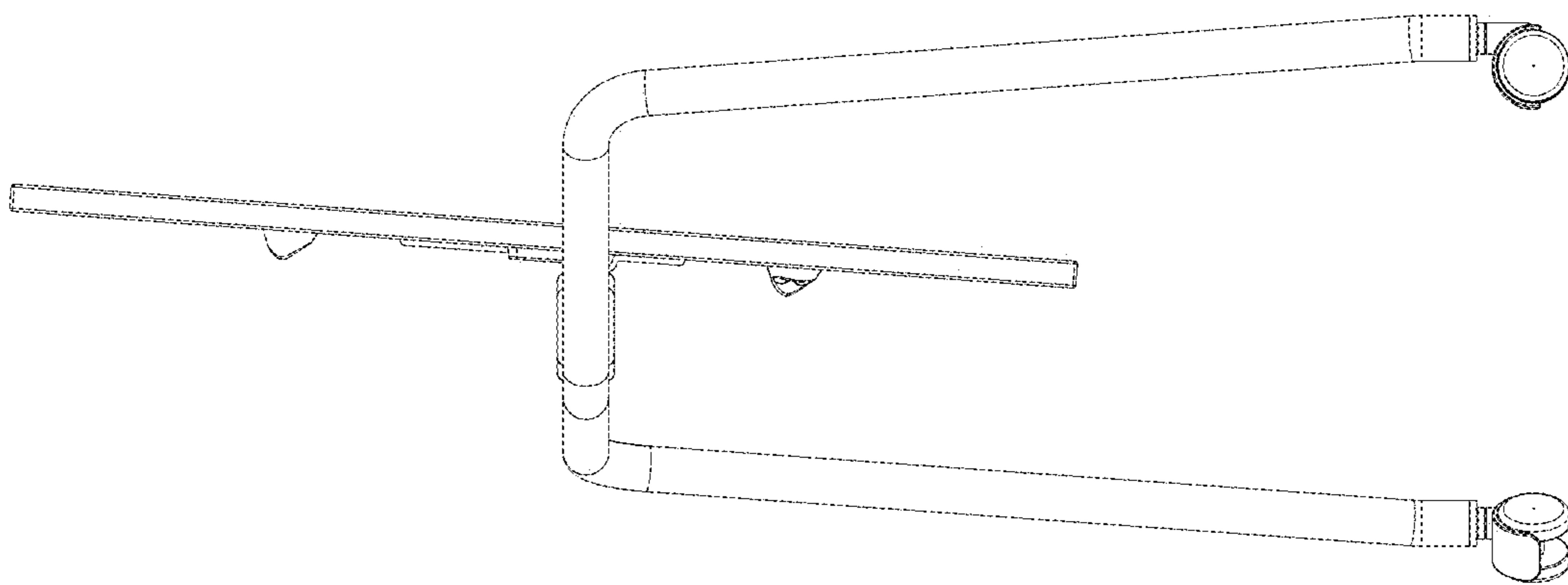


FIG. 2

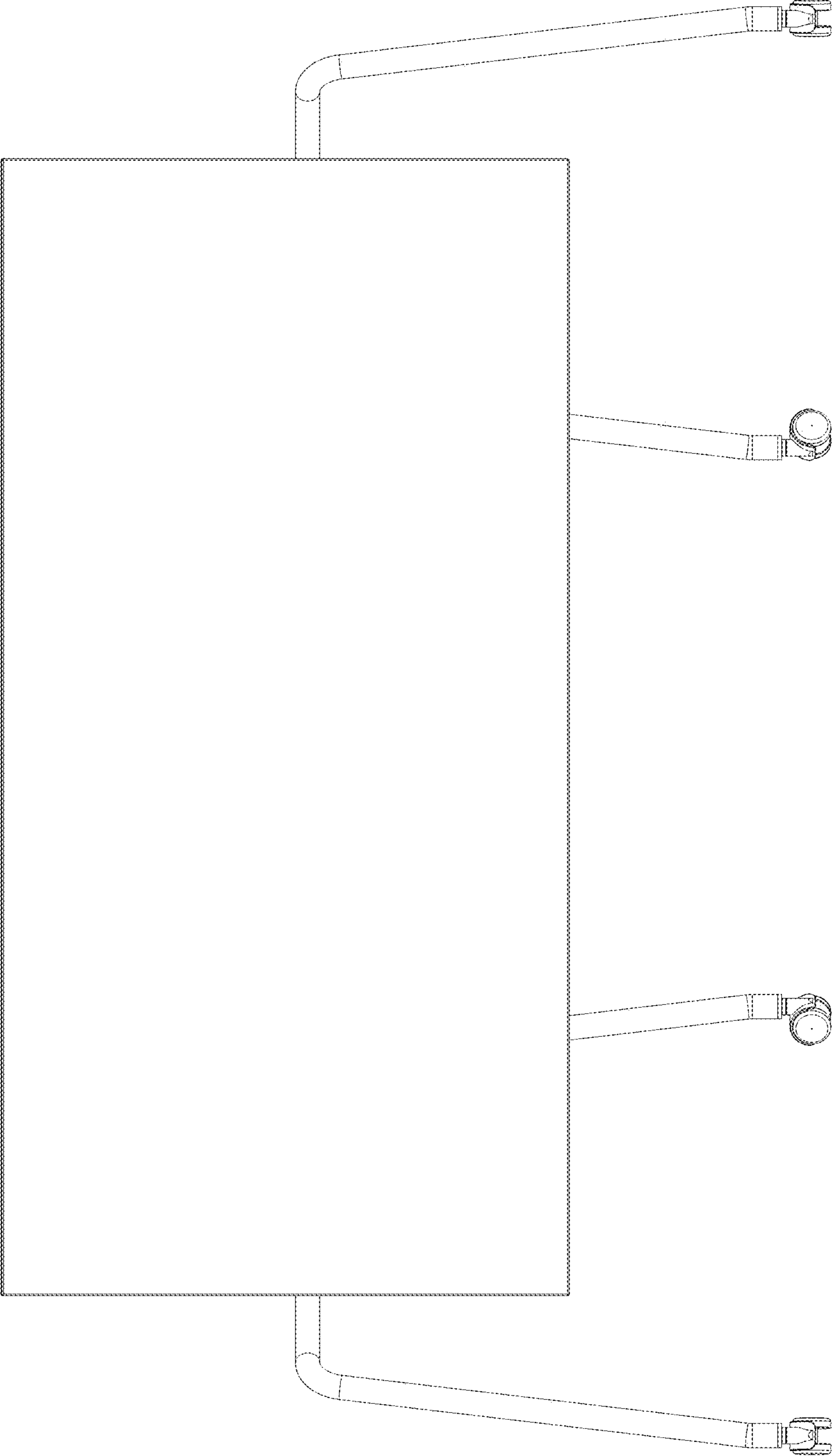


FIG. 4

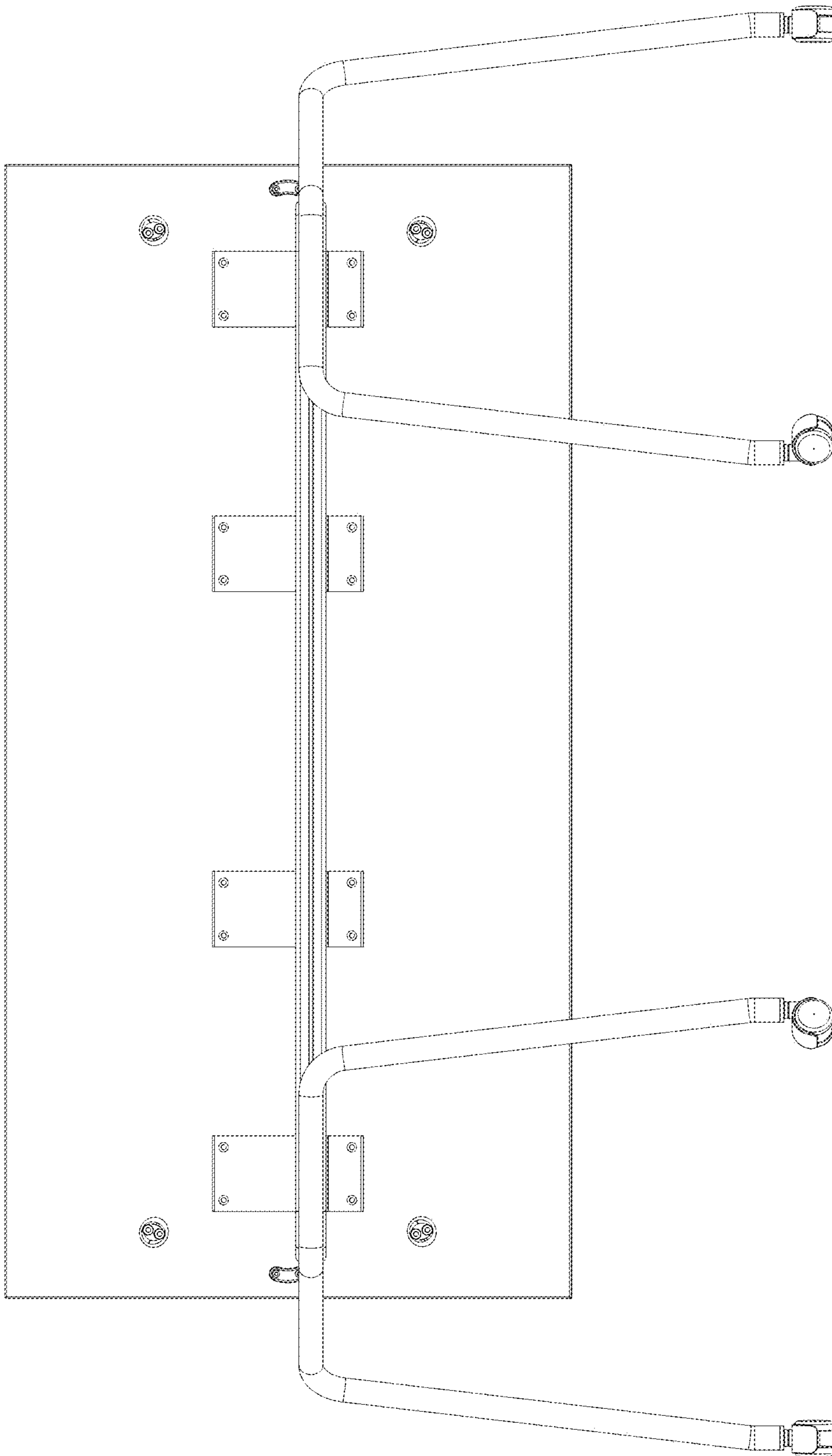


FIG. 5

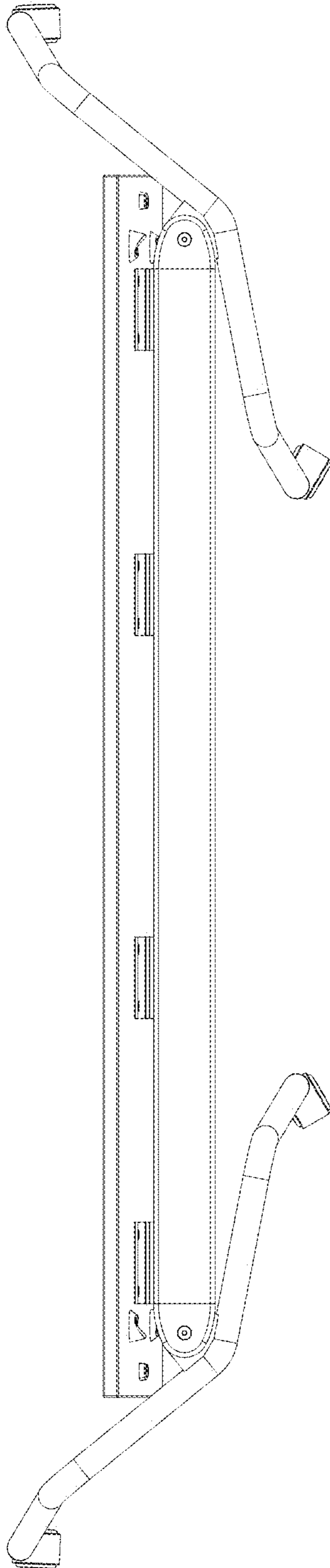


FIG. 6

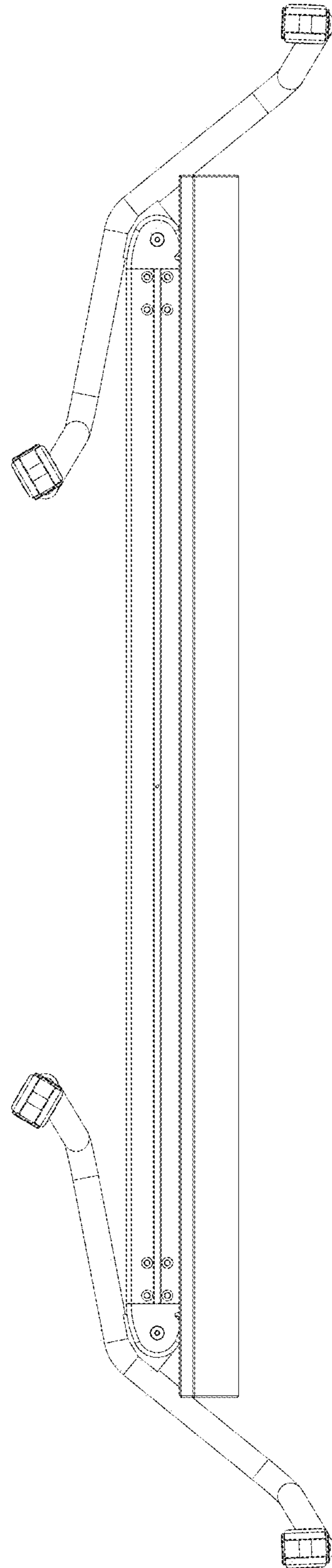


FIG. 7

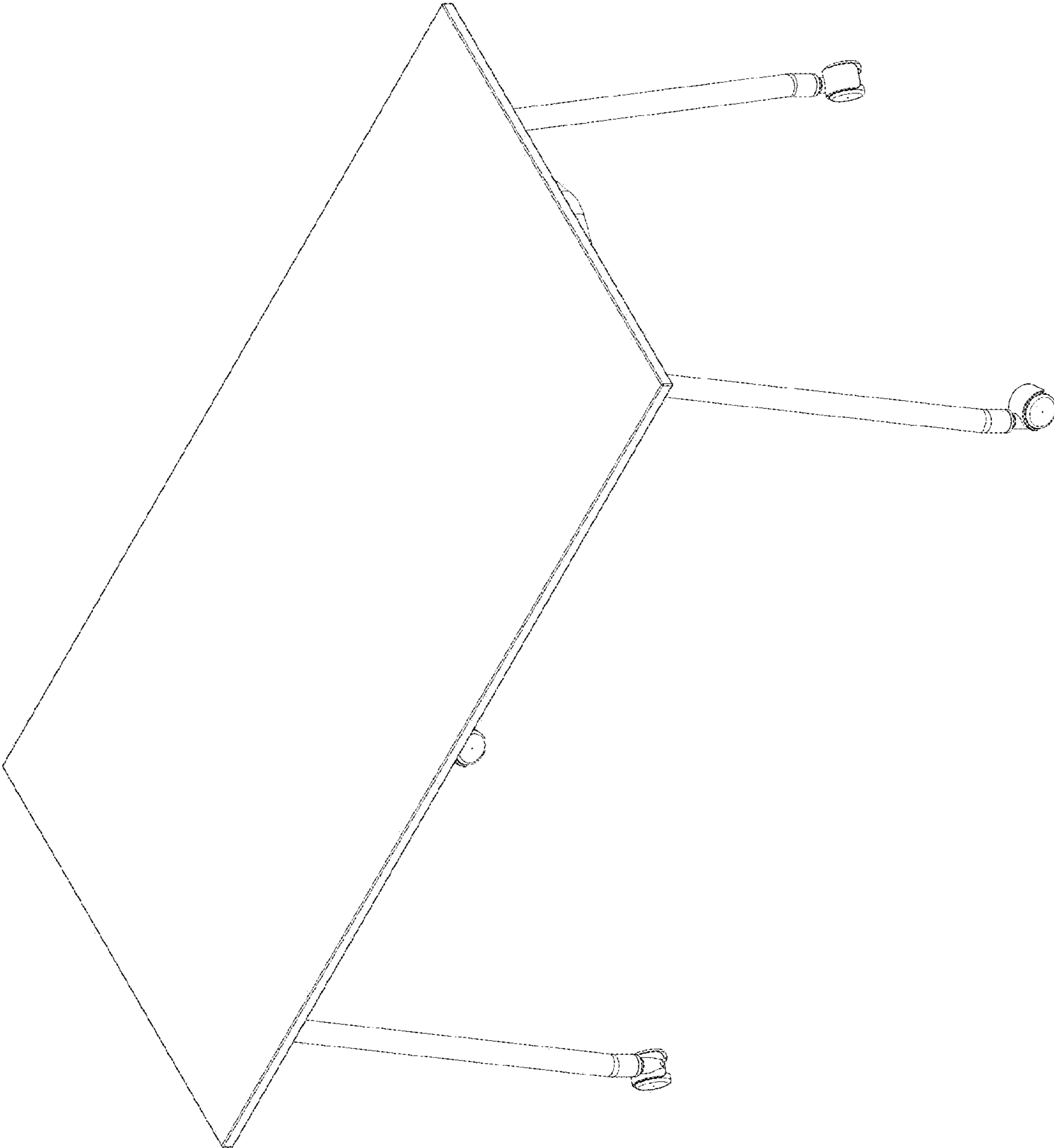


FIG. 8

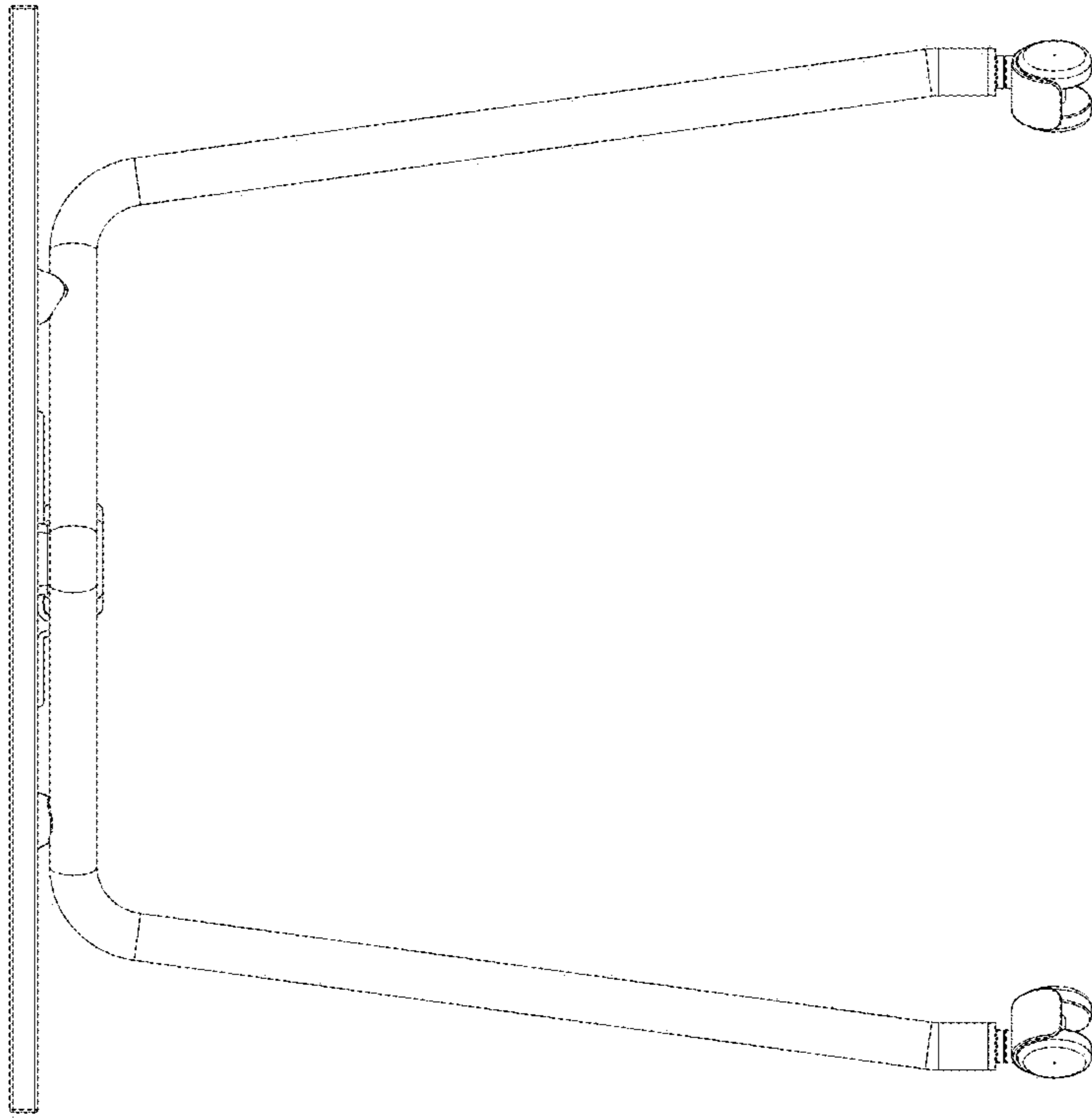


FIG. 9

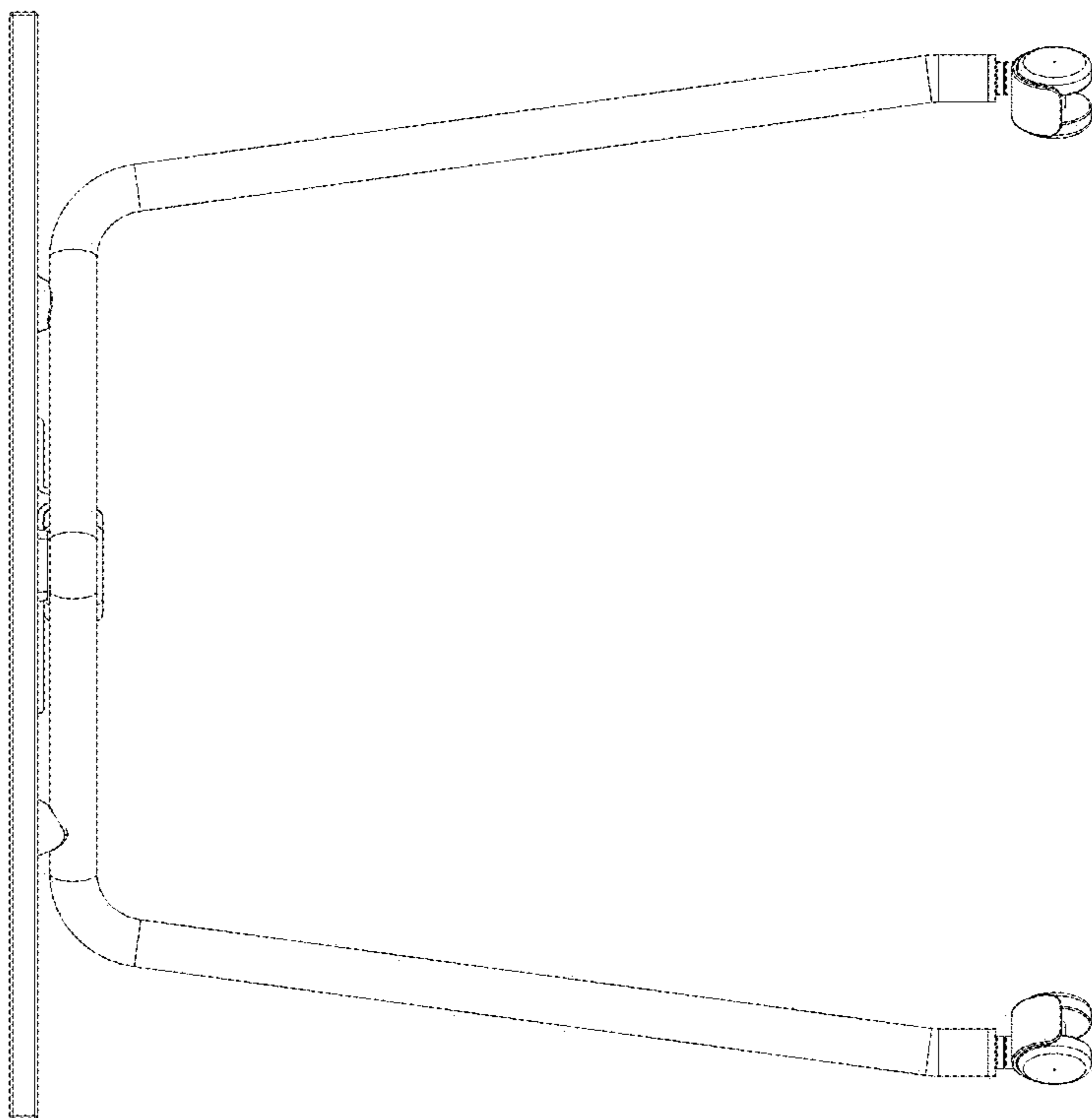


FIG. 10

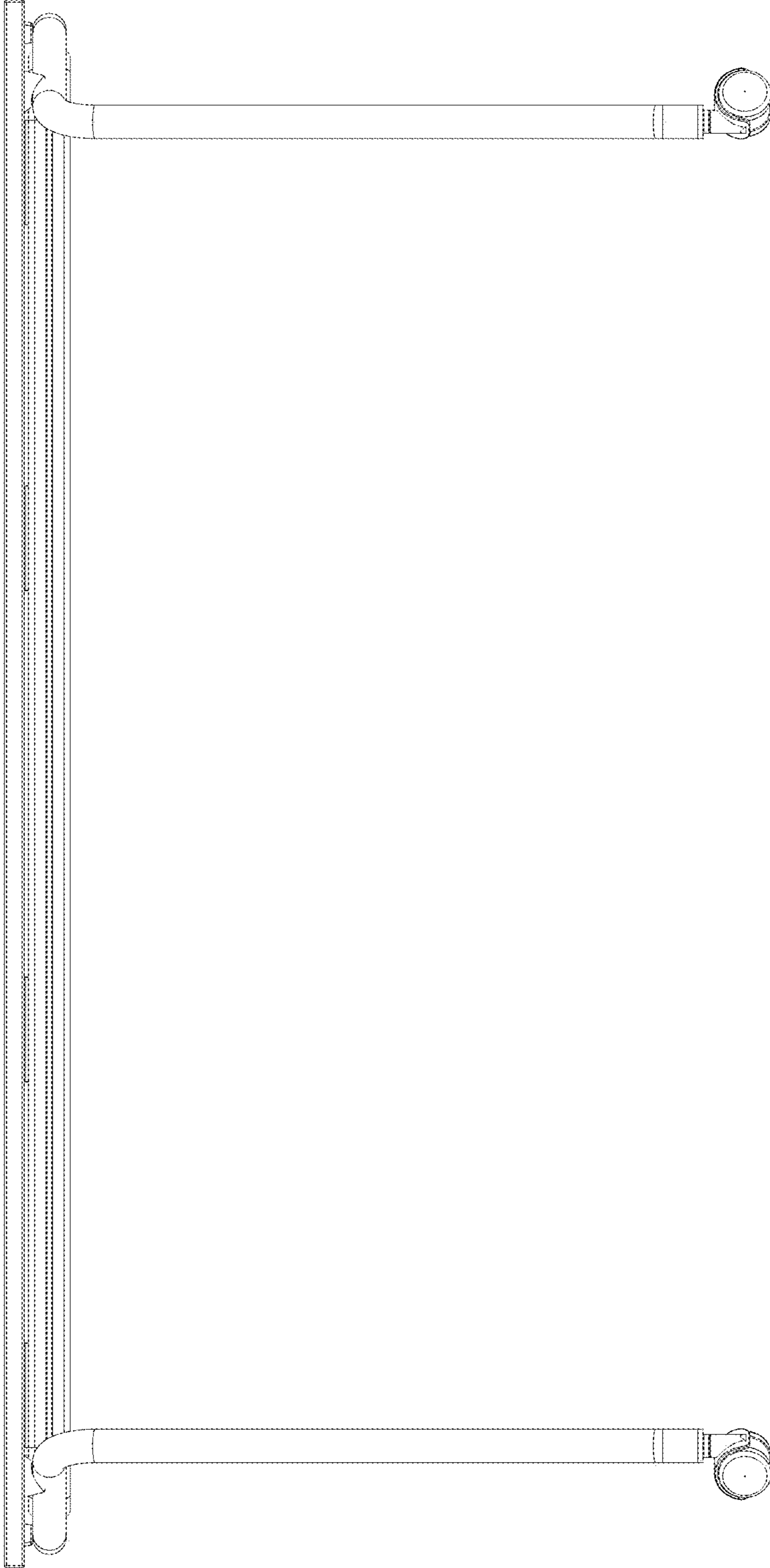


FIG. 11



FIG. 12

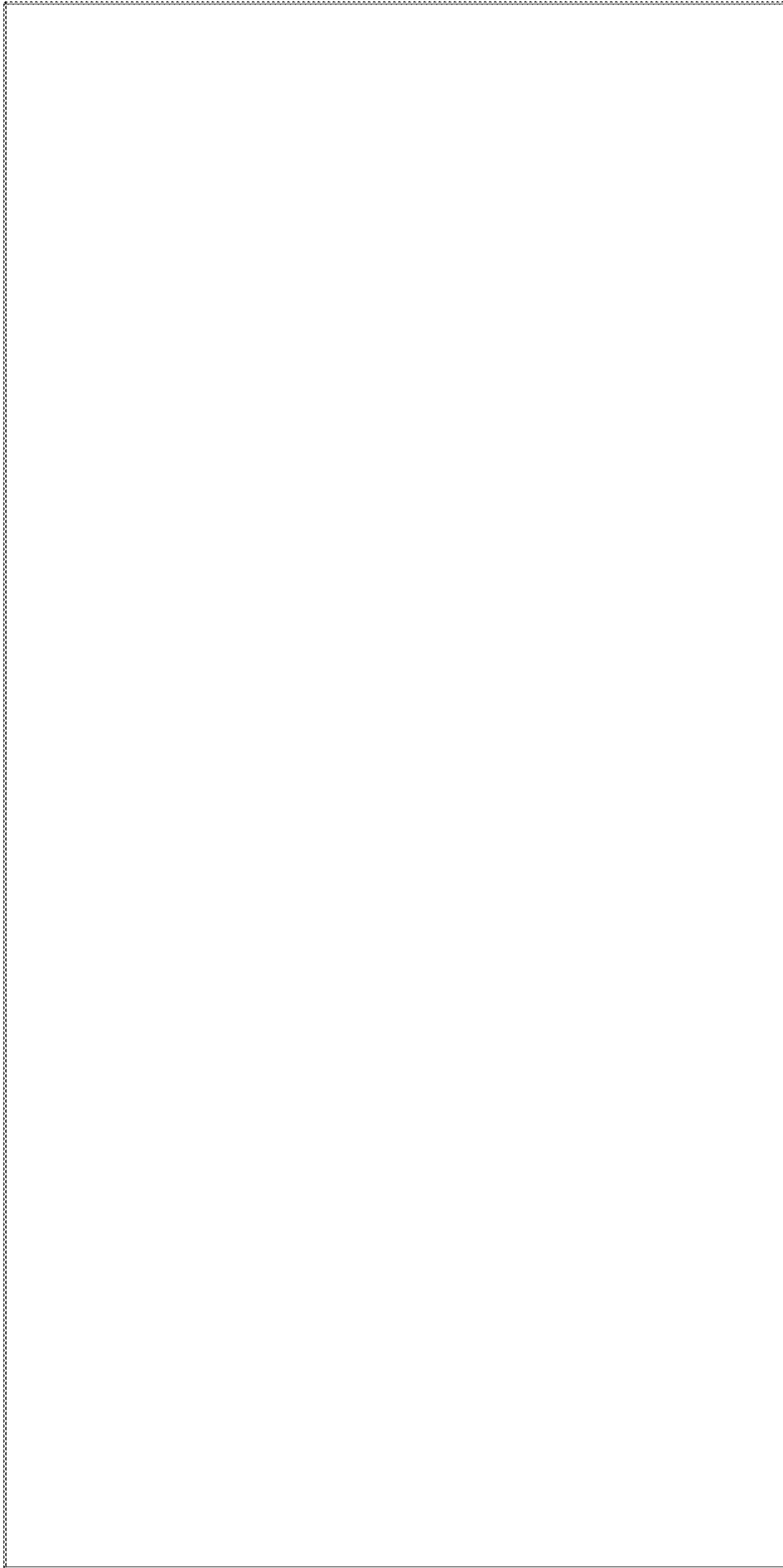


FIG. 13

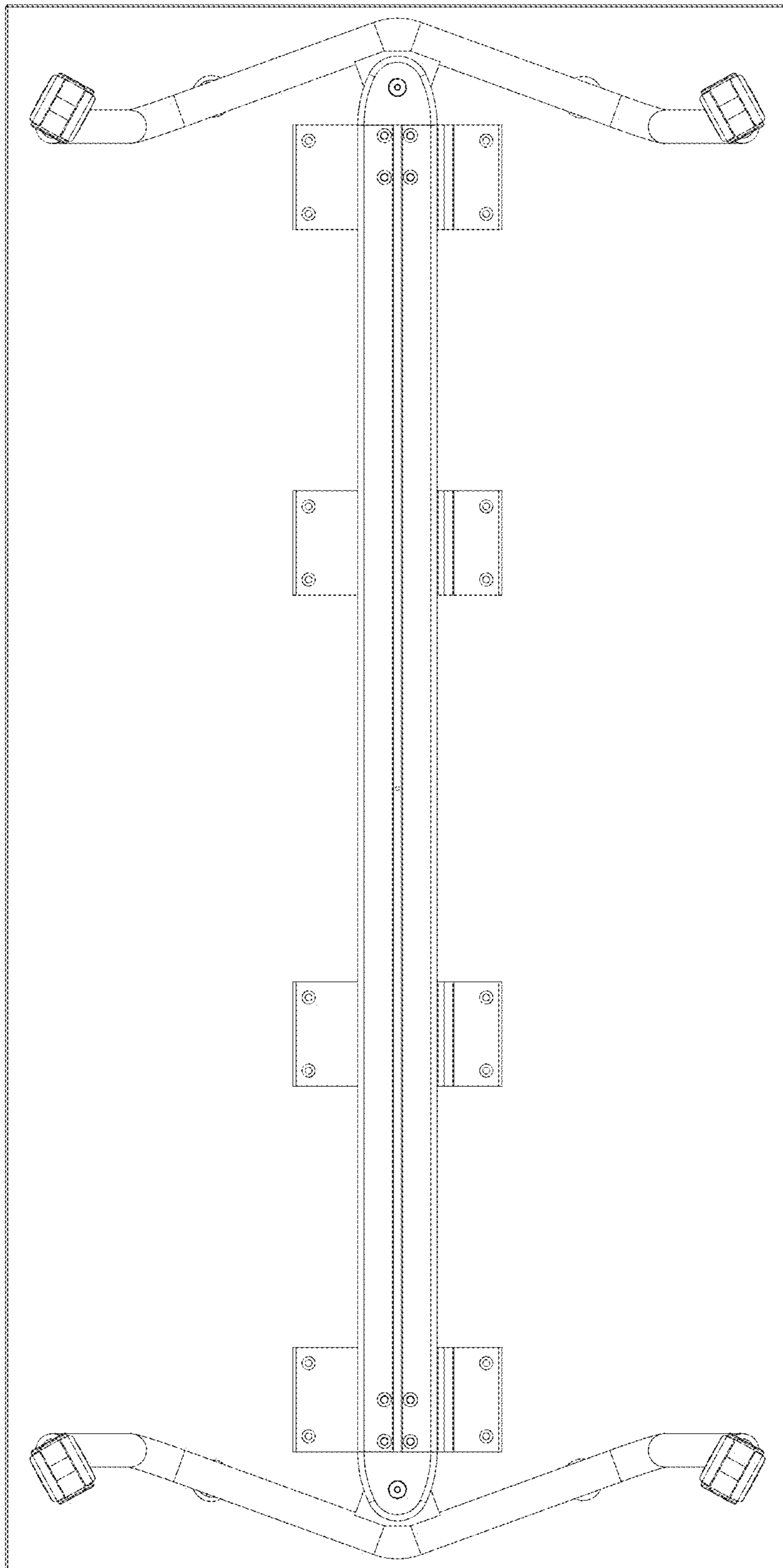


FIG. 14

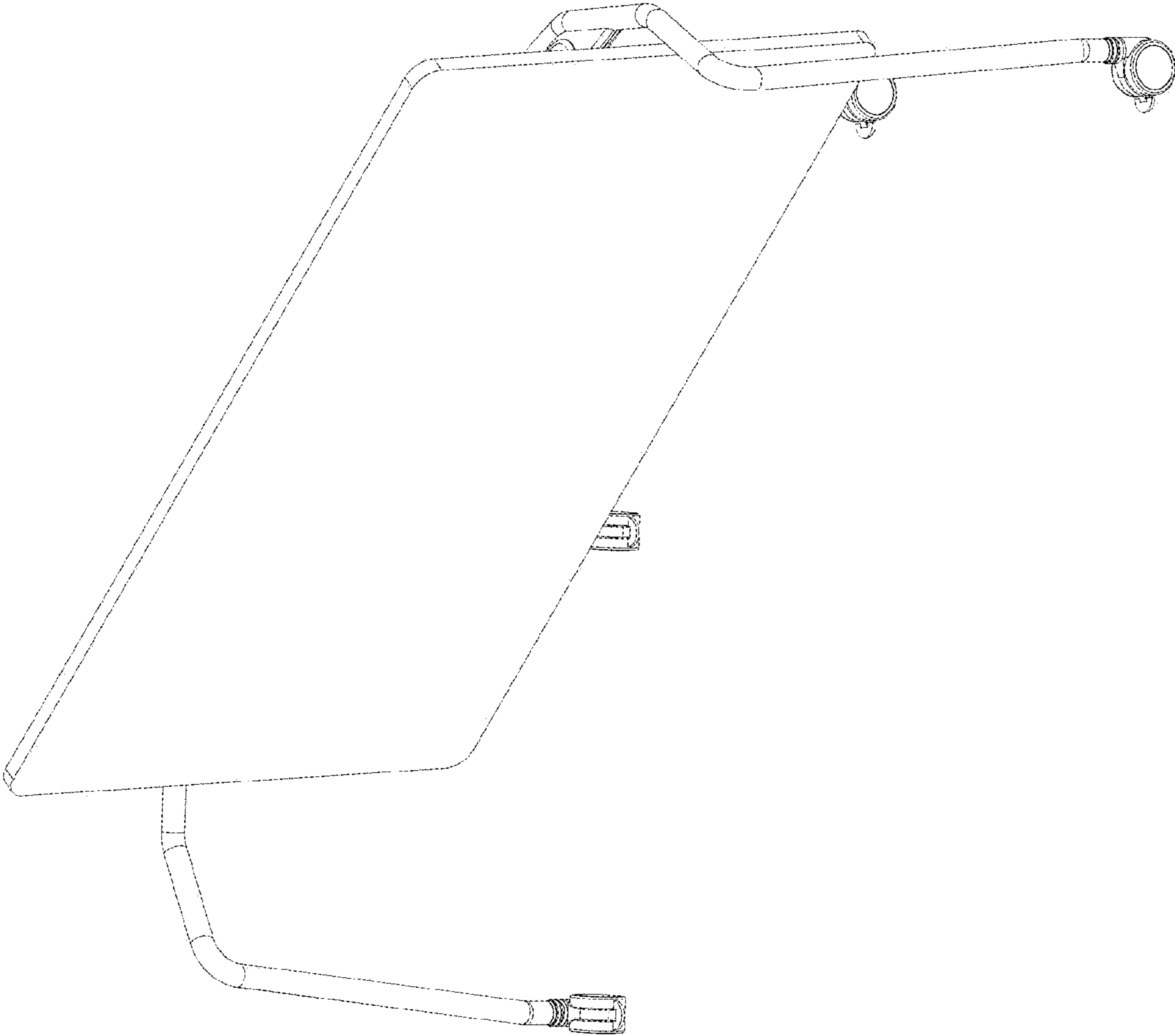


FIG. 15

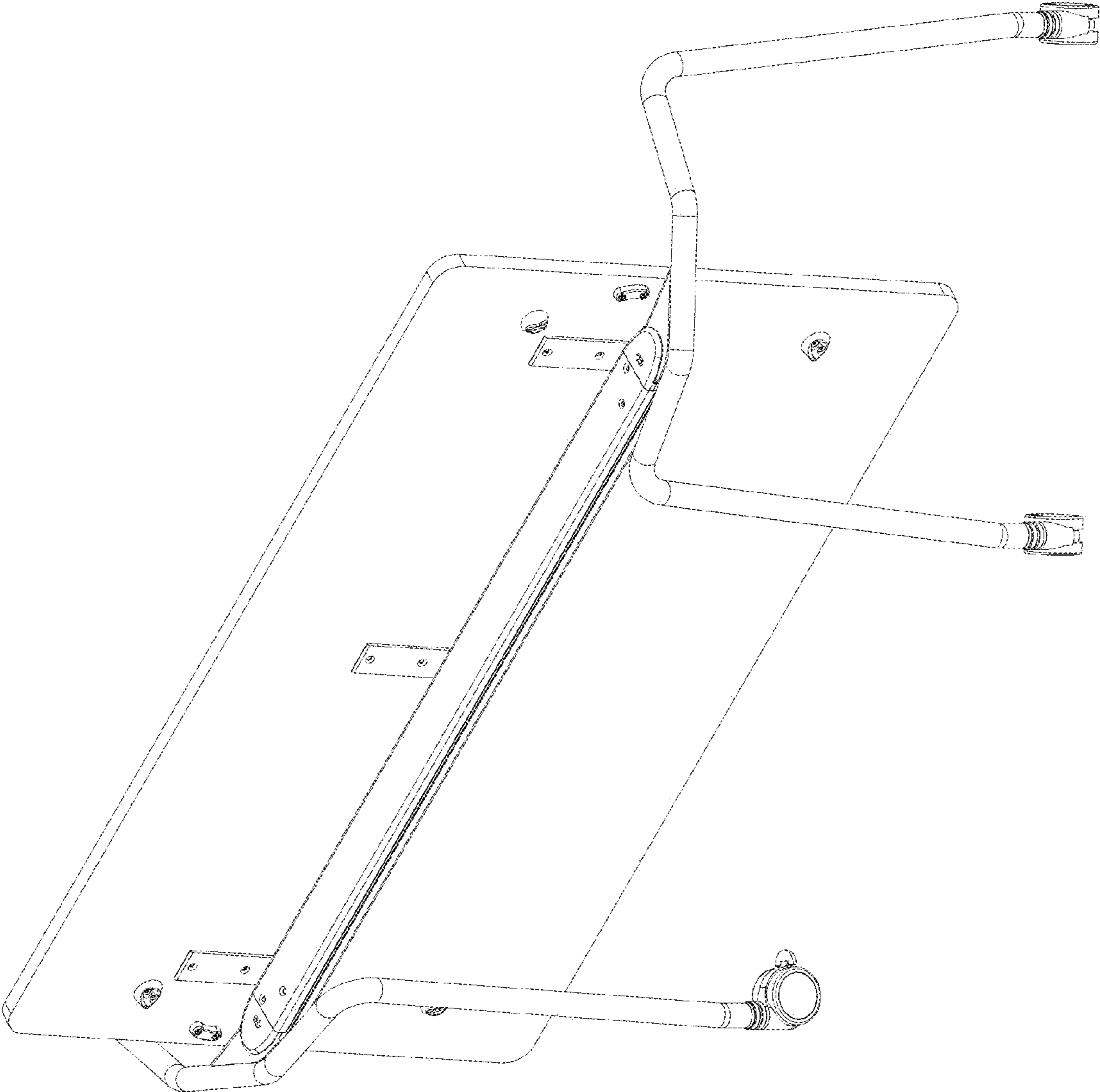


FIG. 16

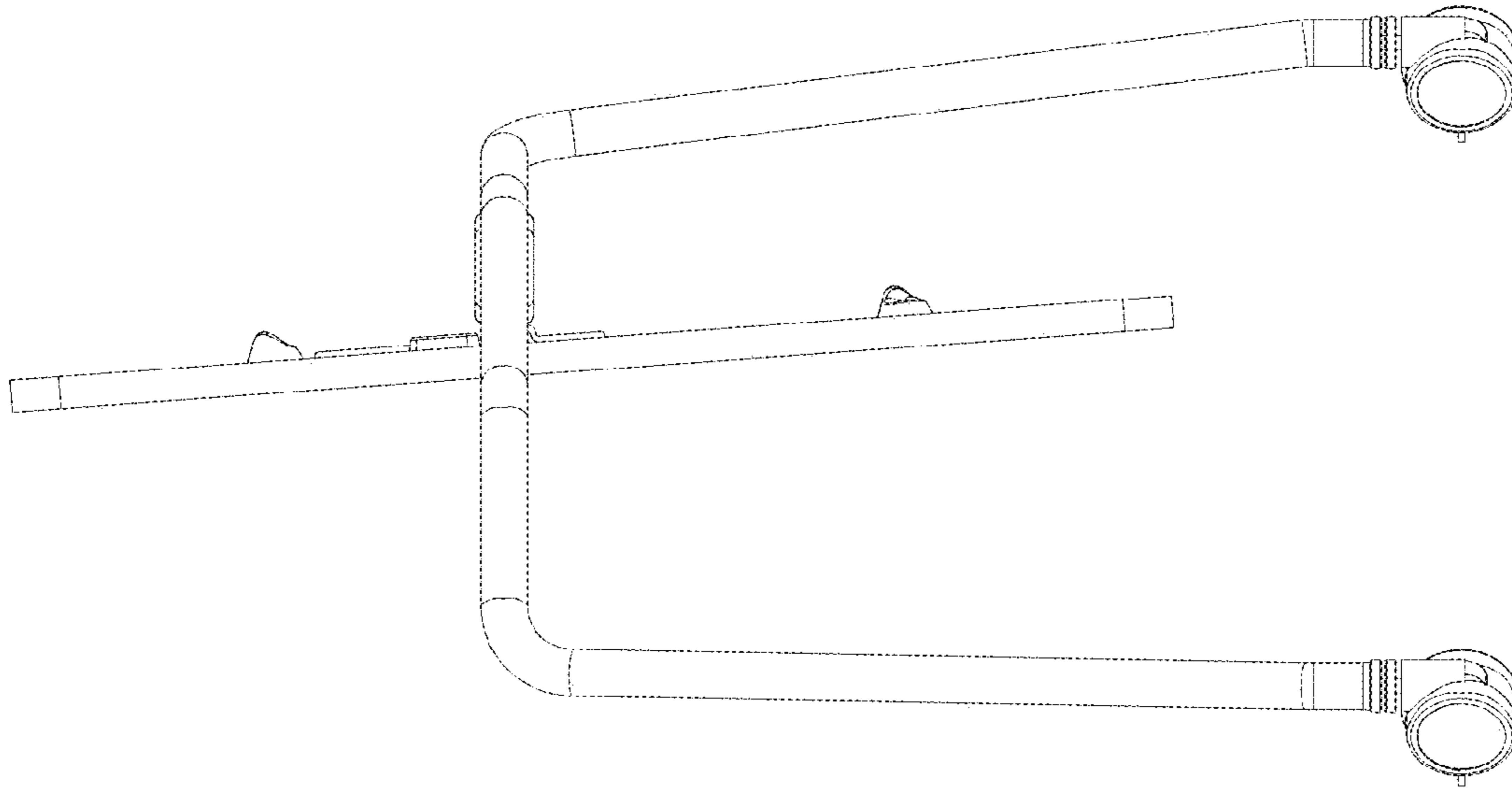


FIG. 17

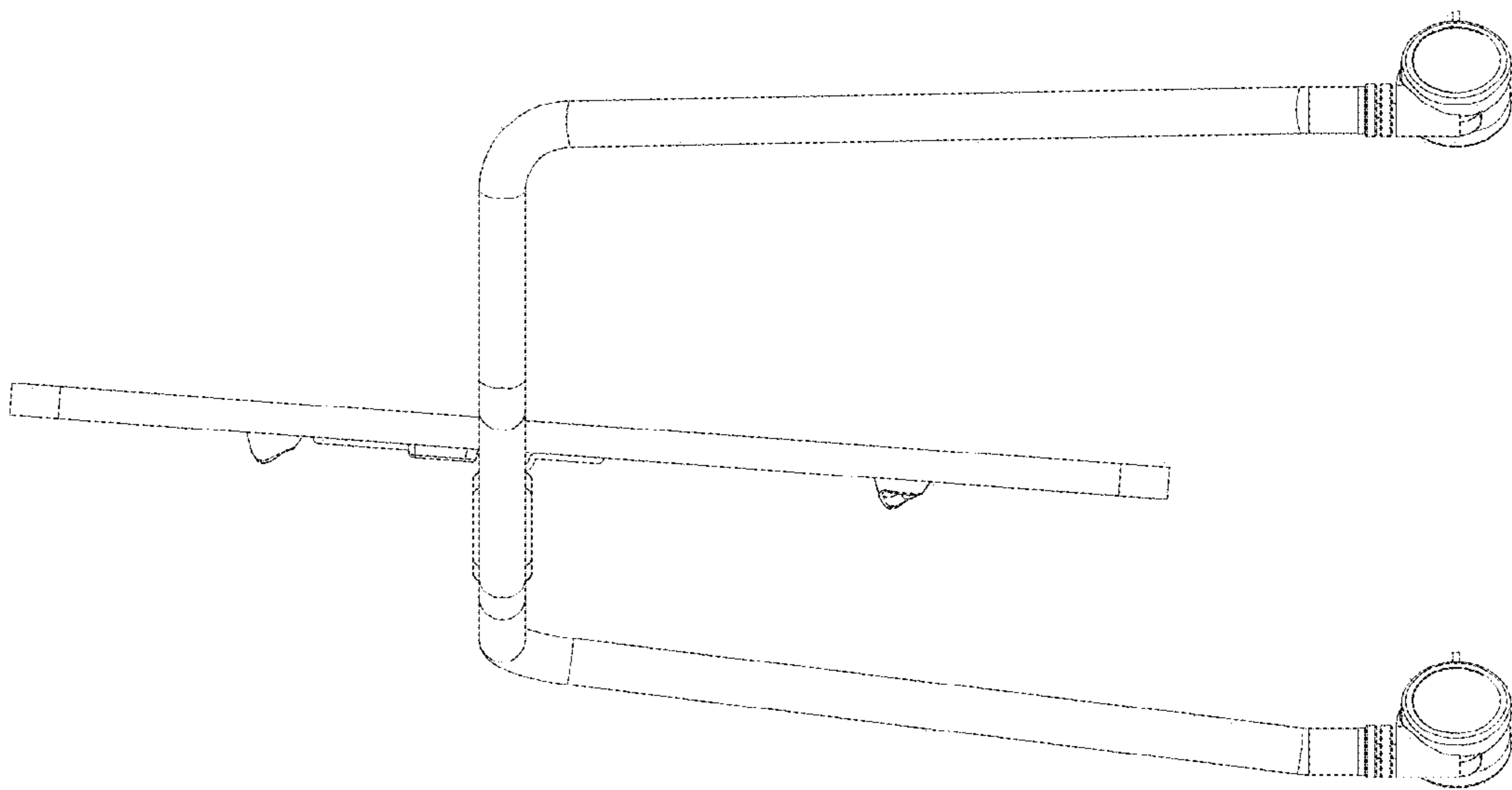


FIG. 18

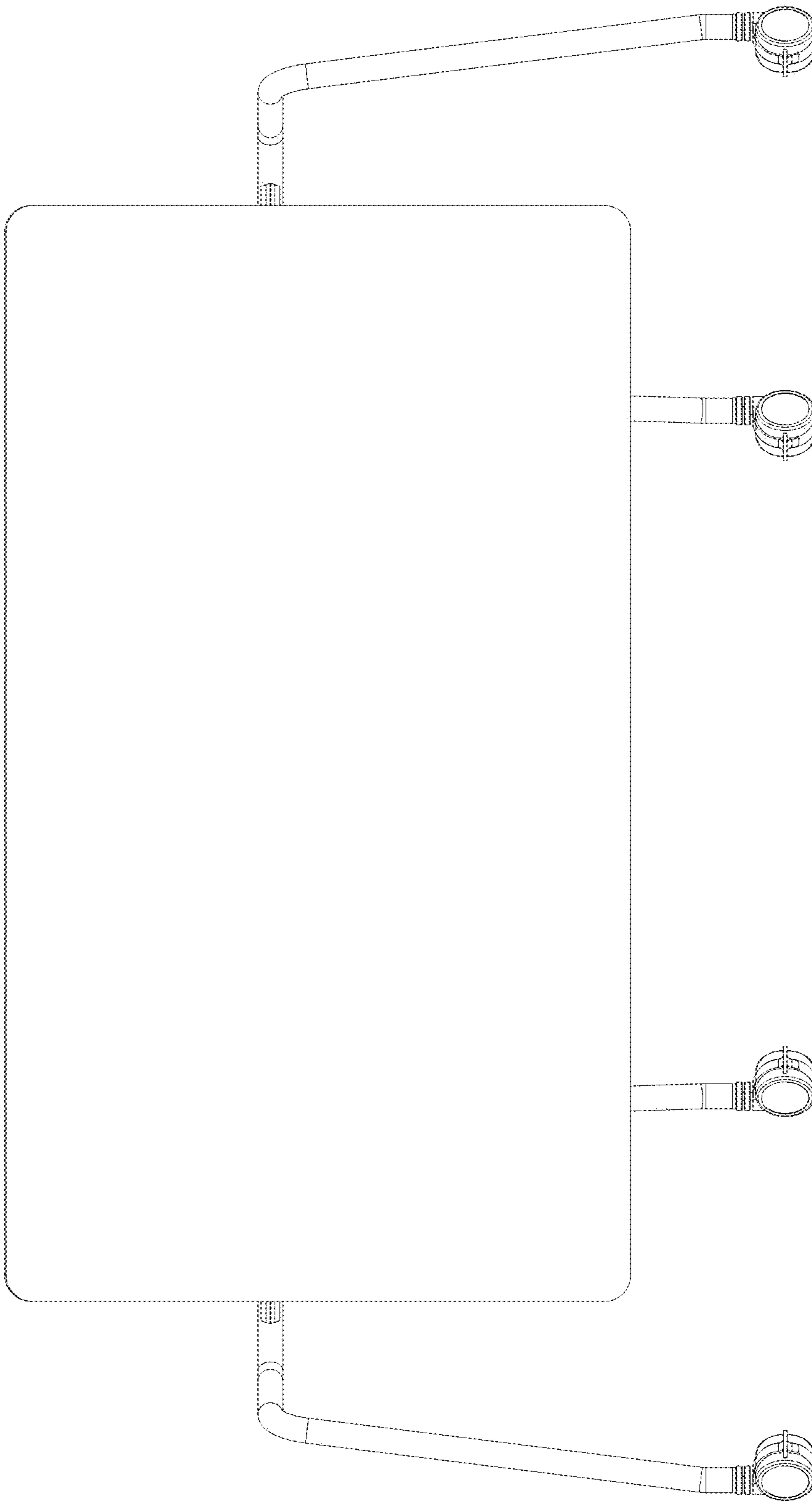


FIG. 19

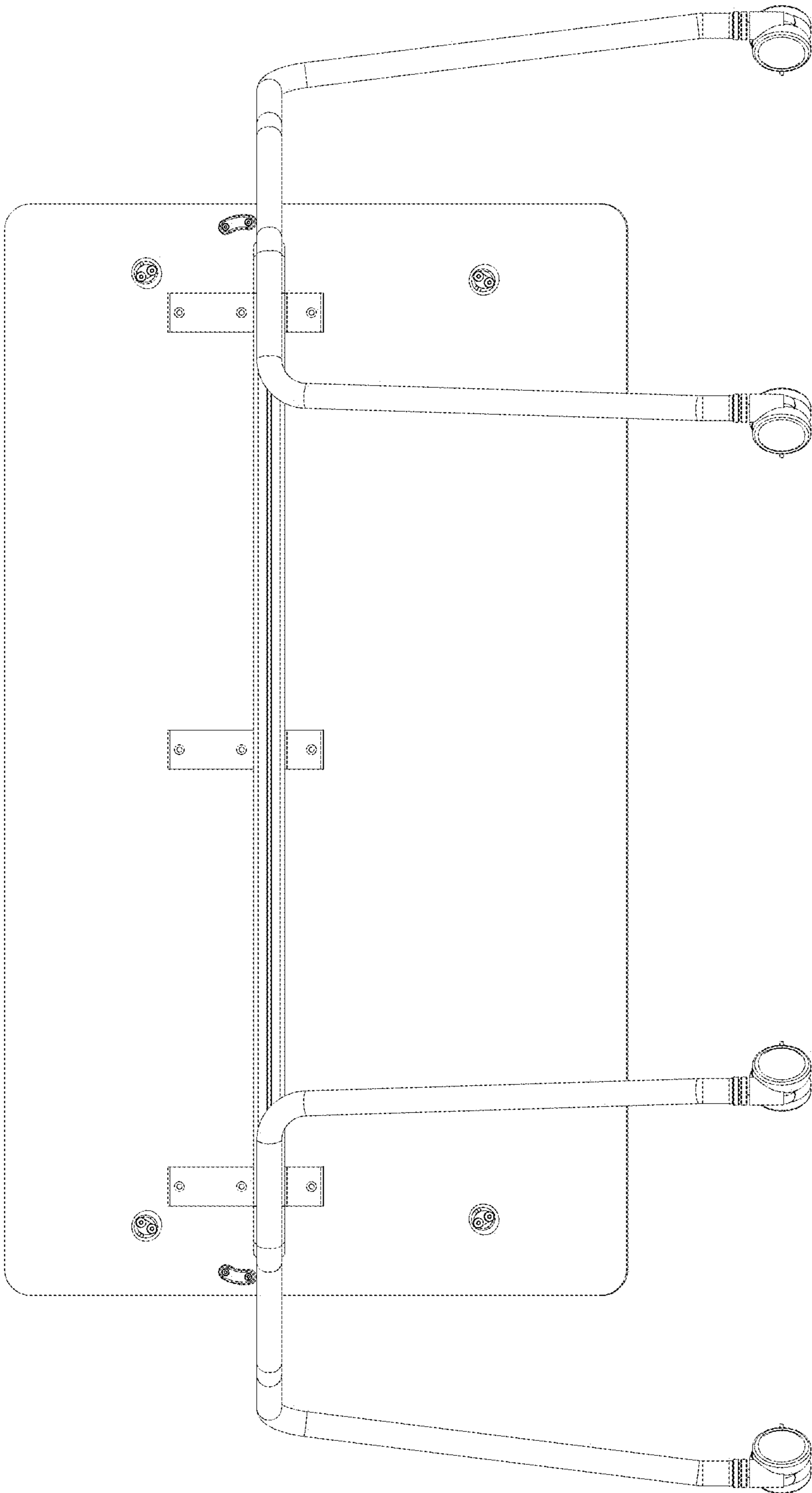


FIG. 20

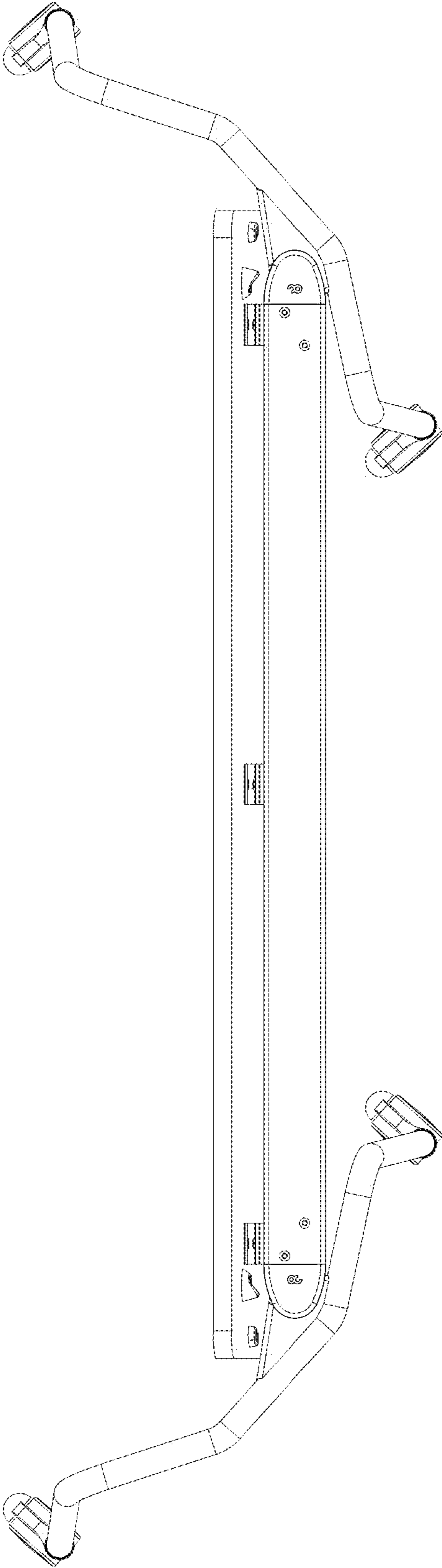


FIG. 21

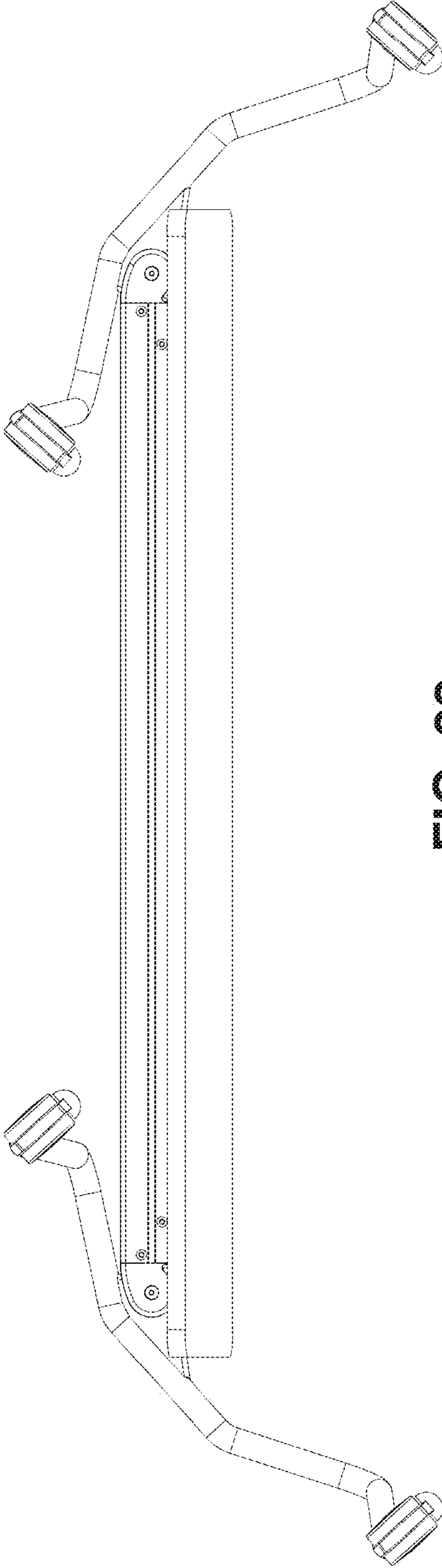


FIG. 22

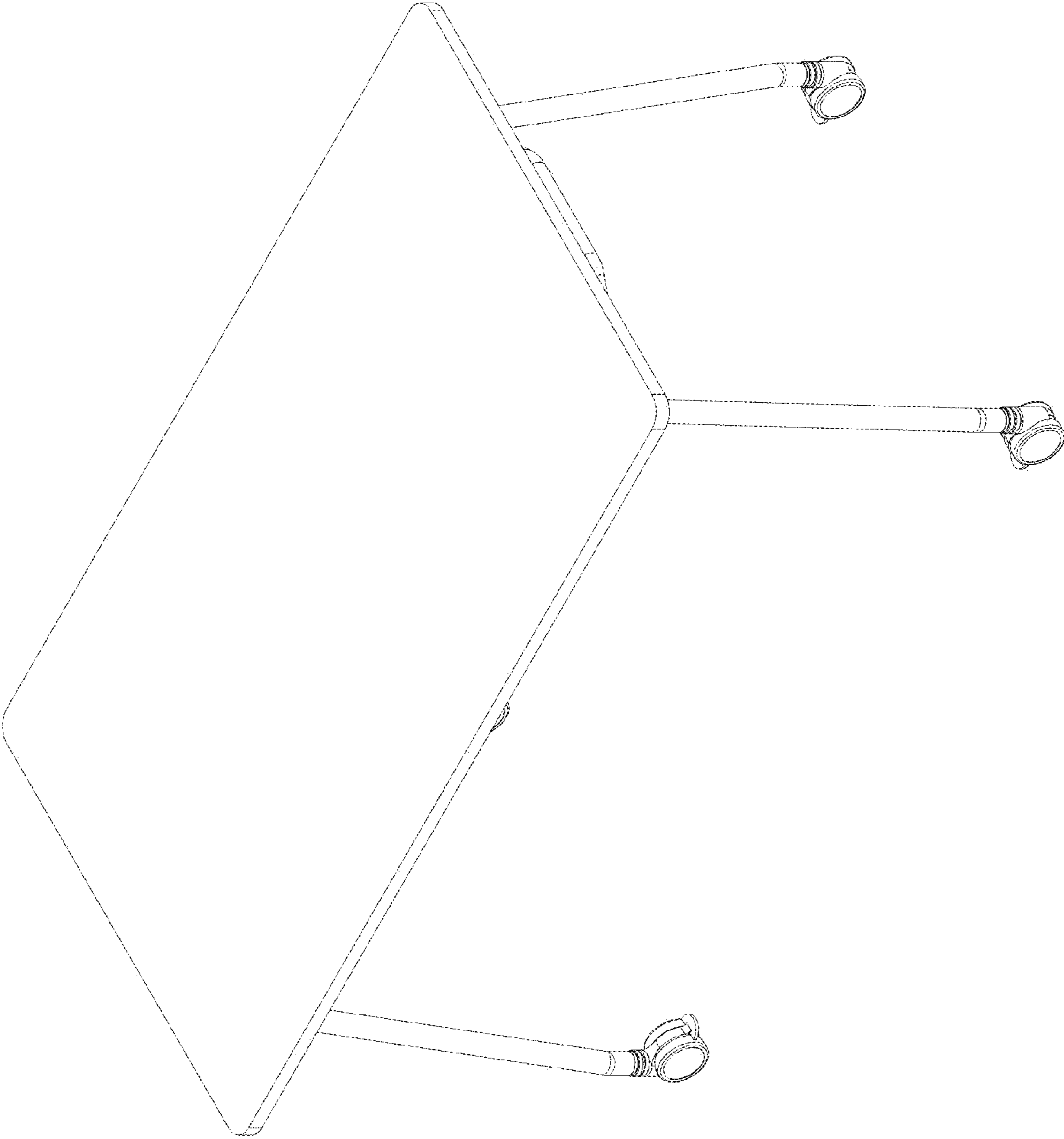


FIG. 23

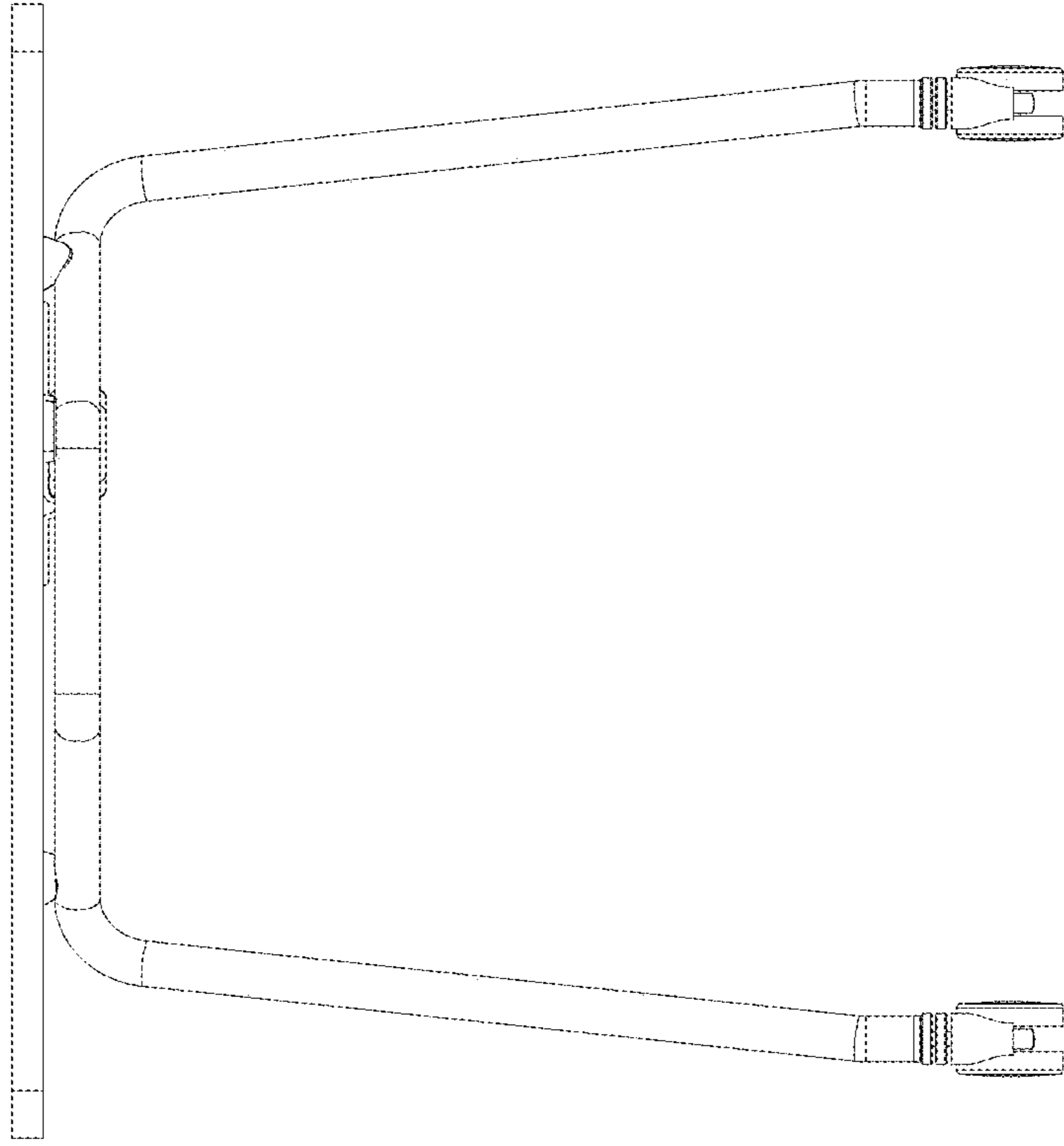


FIG. 25

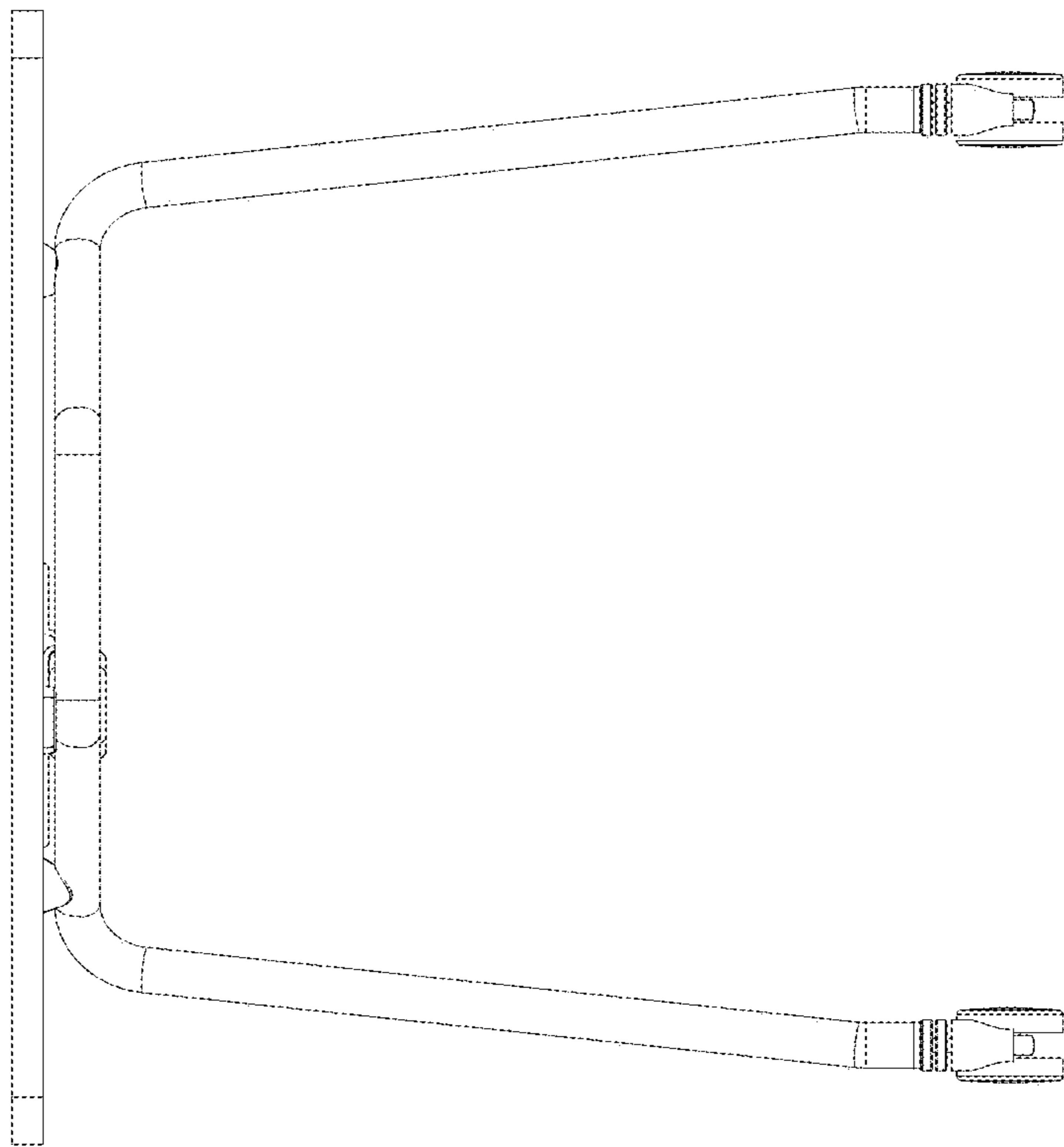


FIG. 24



FIG. 26



FIG. 27

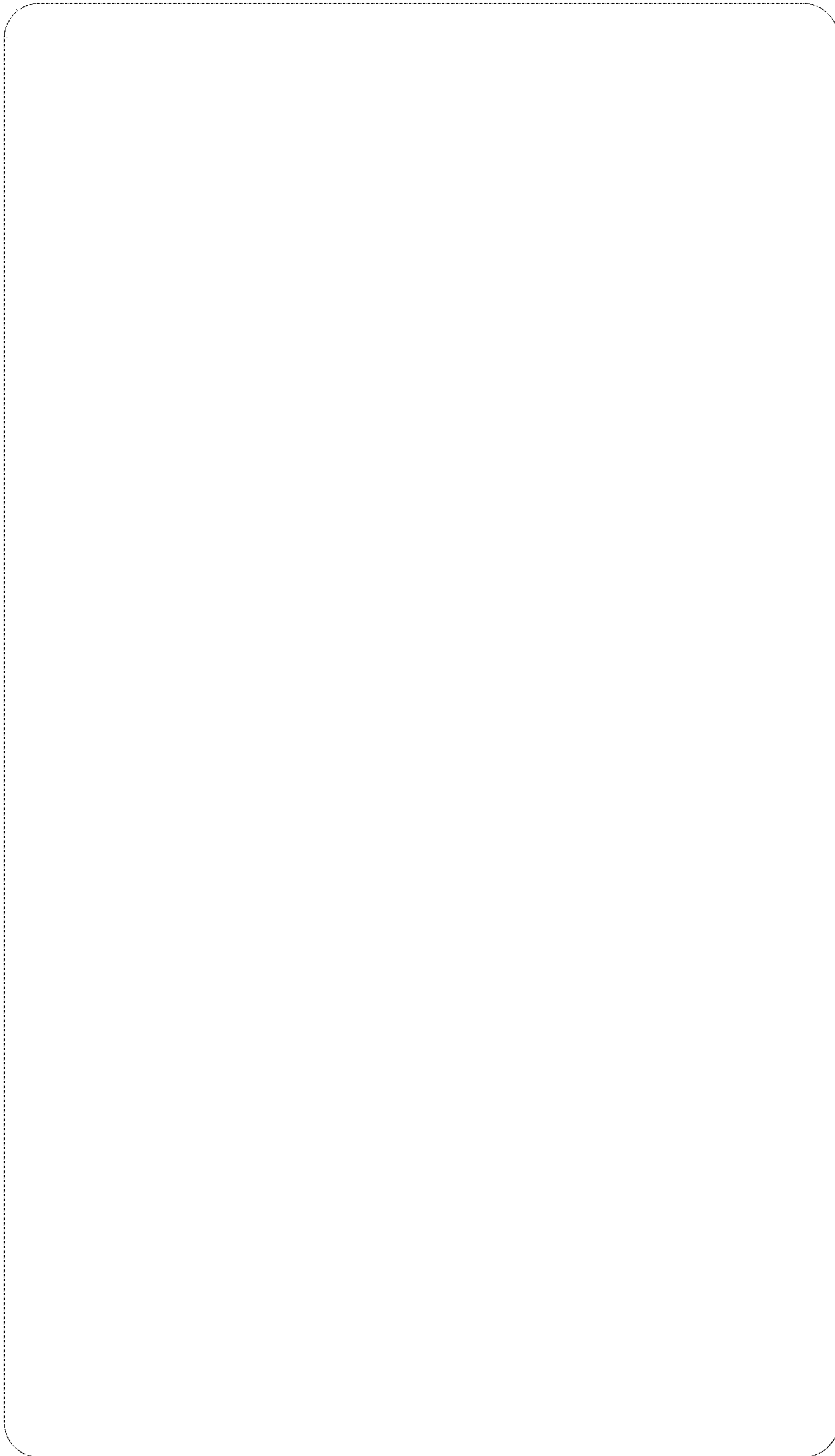


FIG. 28

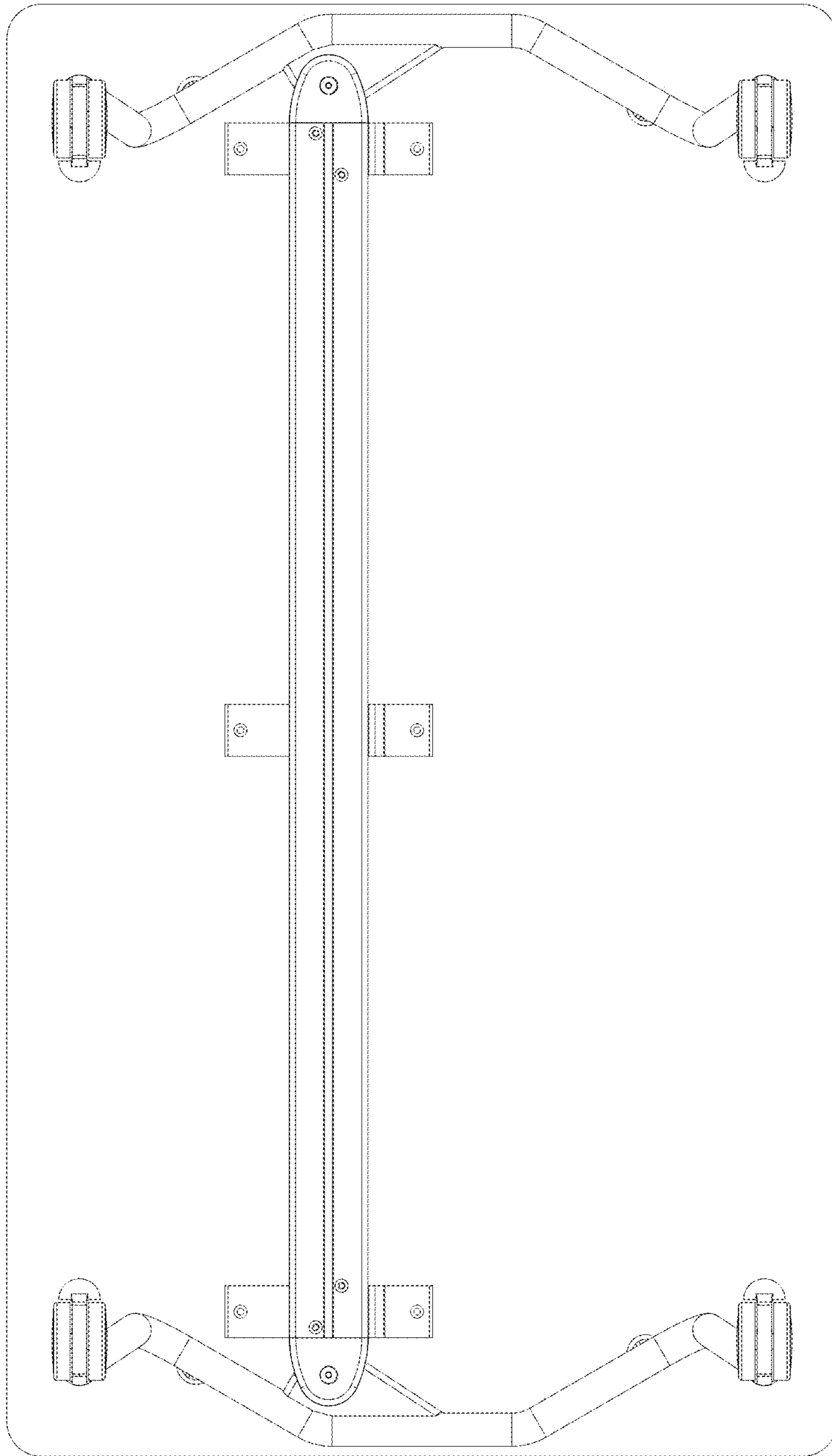


FIG. 29

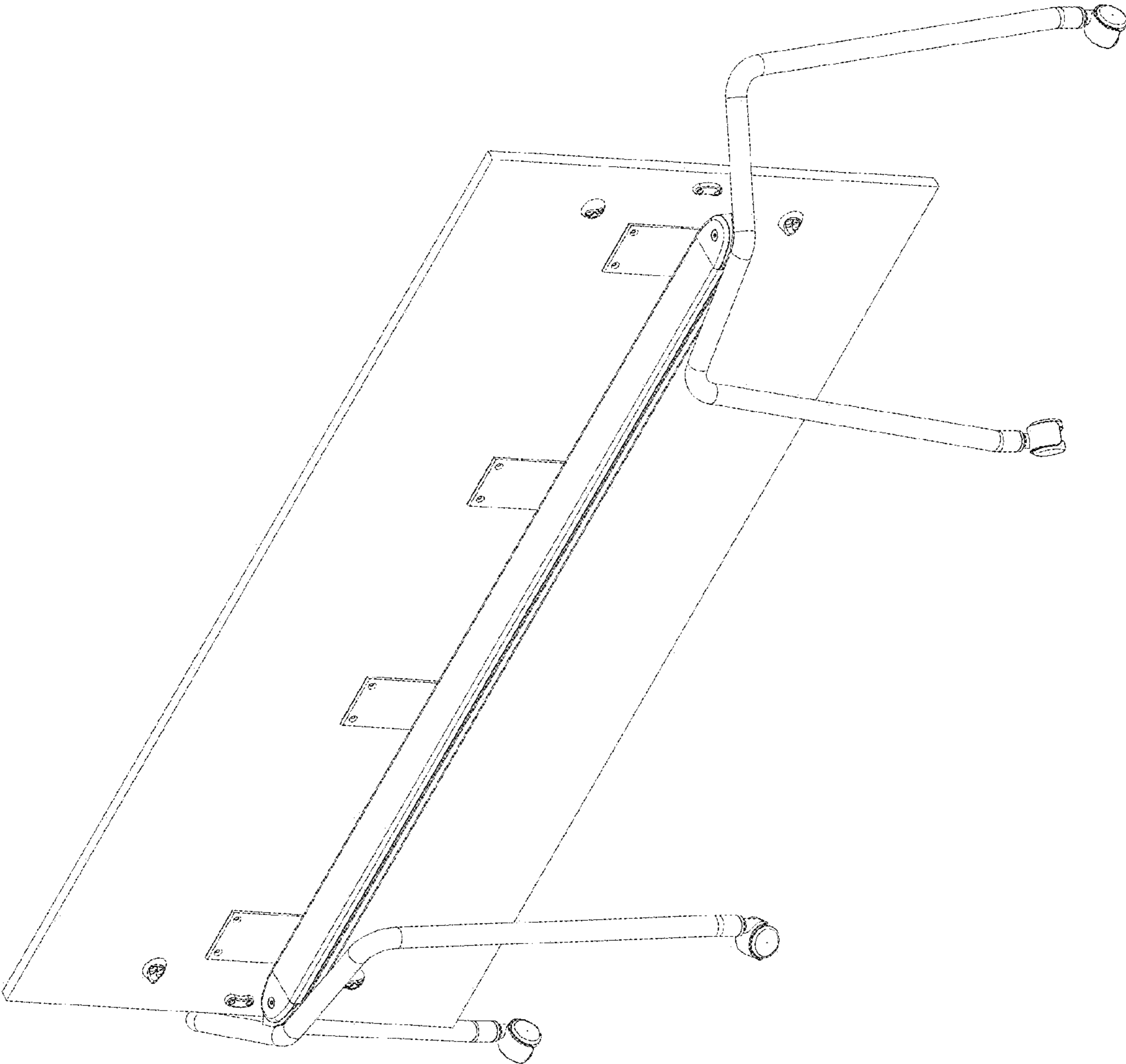


FIG. 30

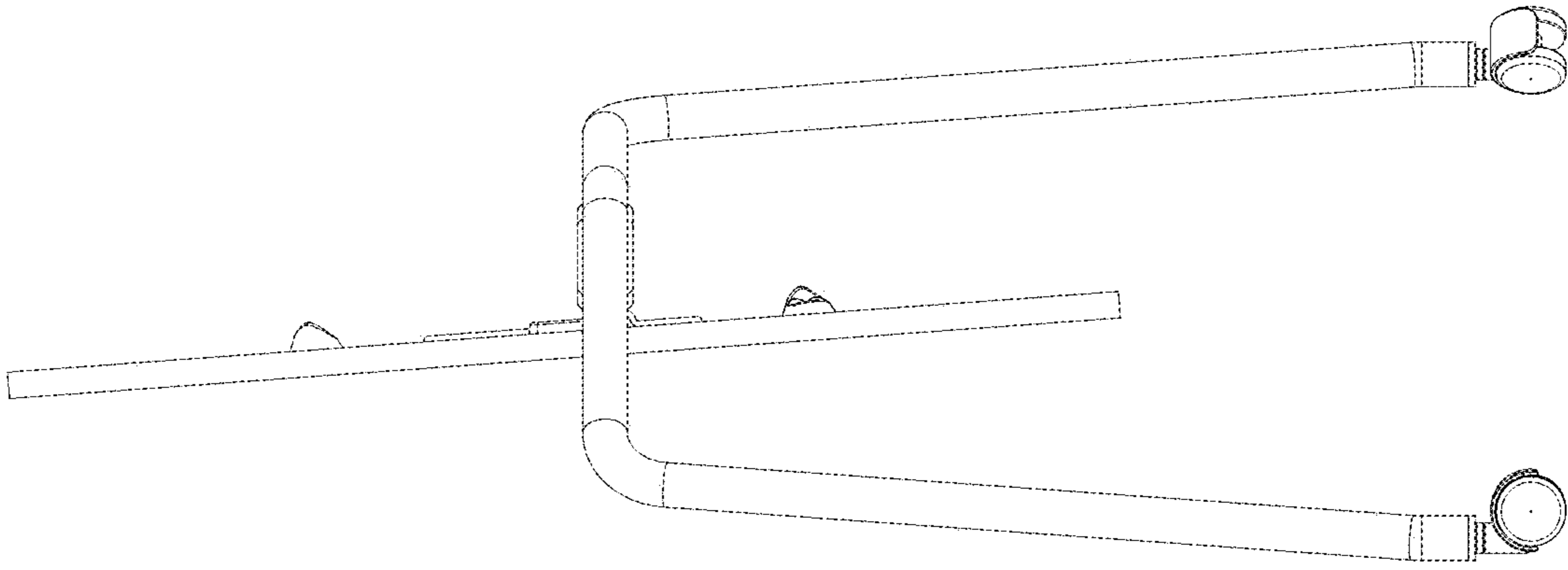


FIG. 32

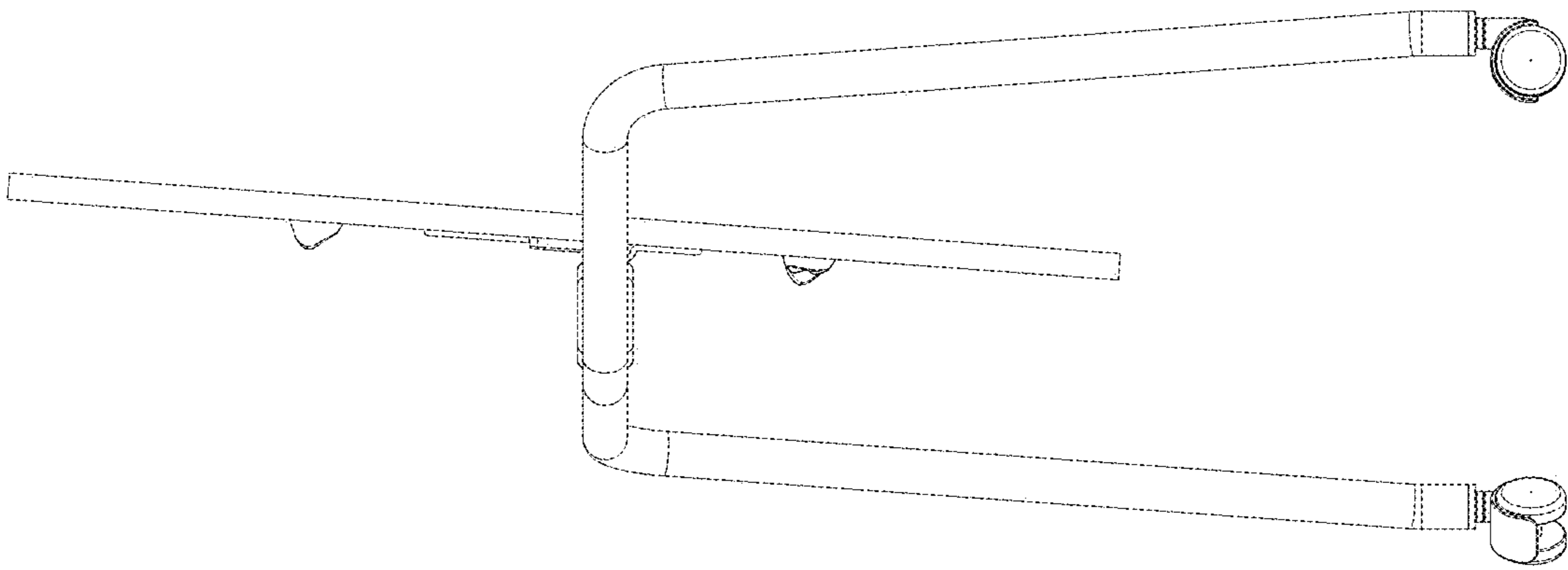


FIG. 31

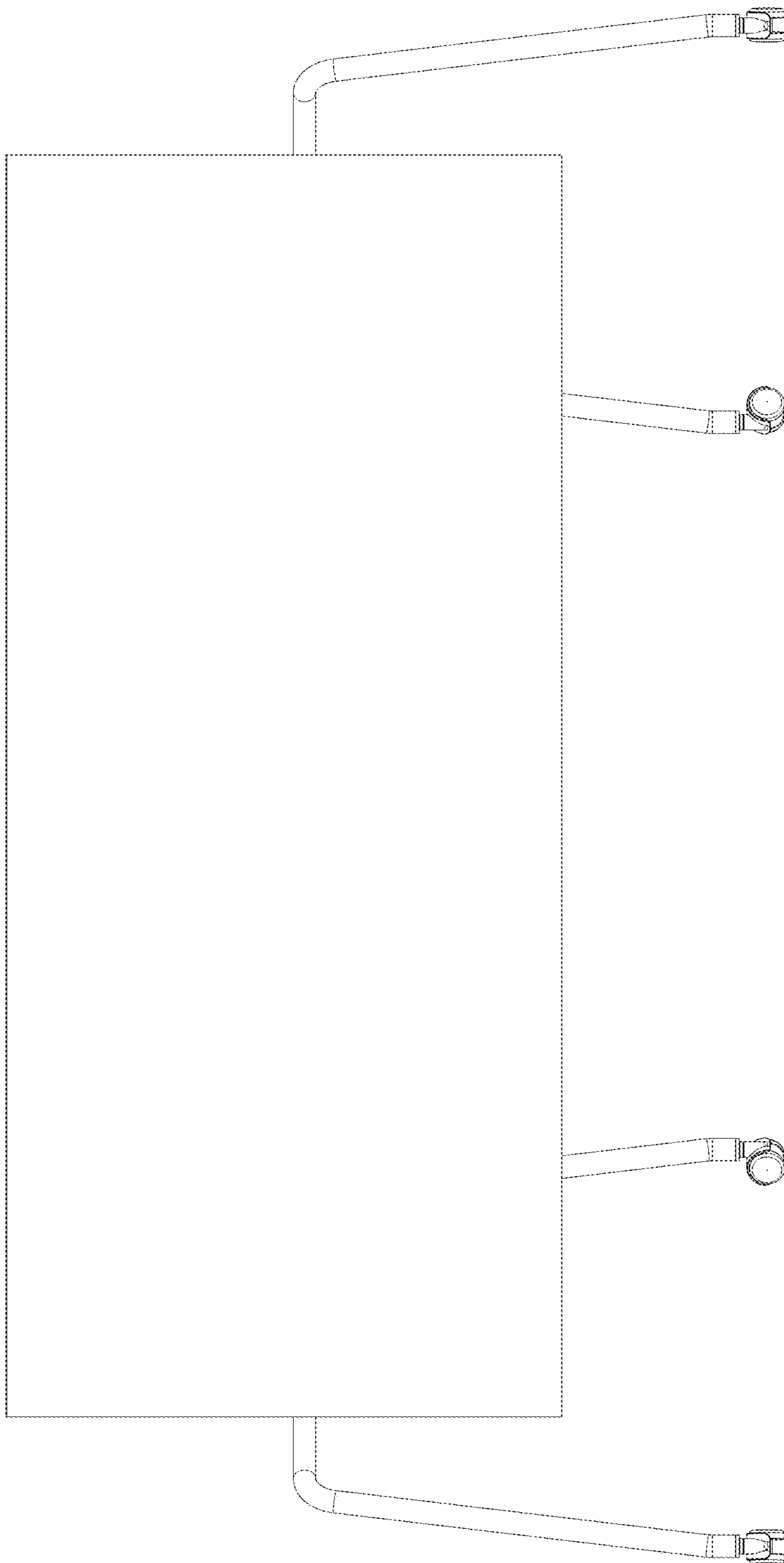


FIG. 33

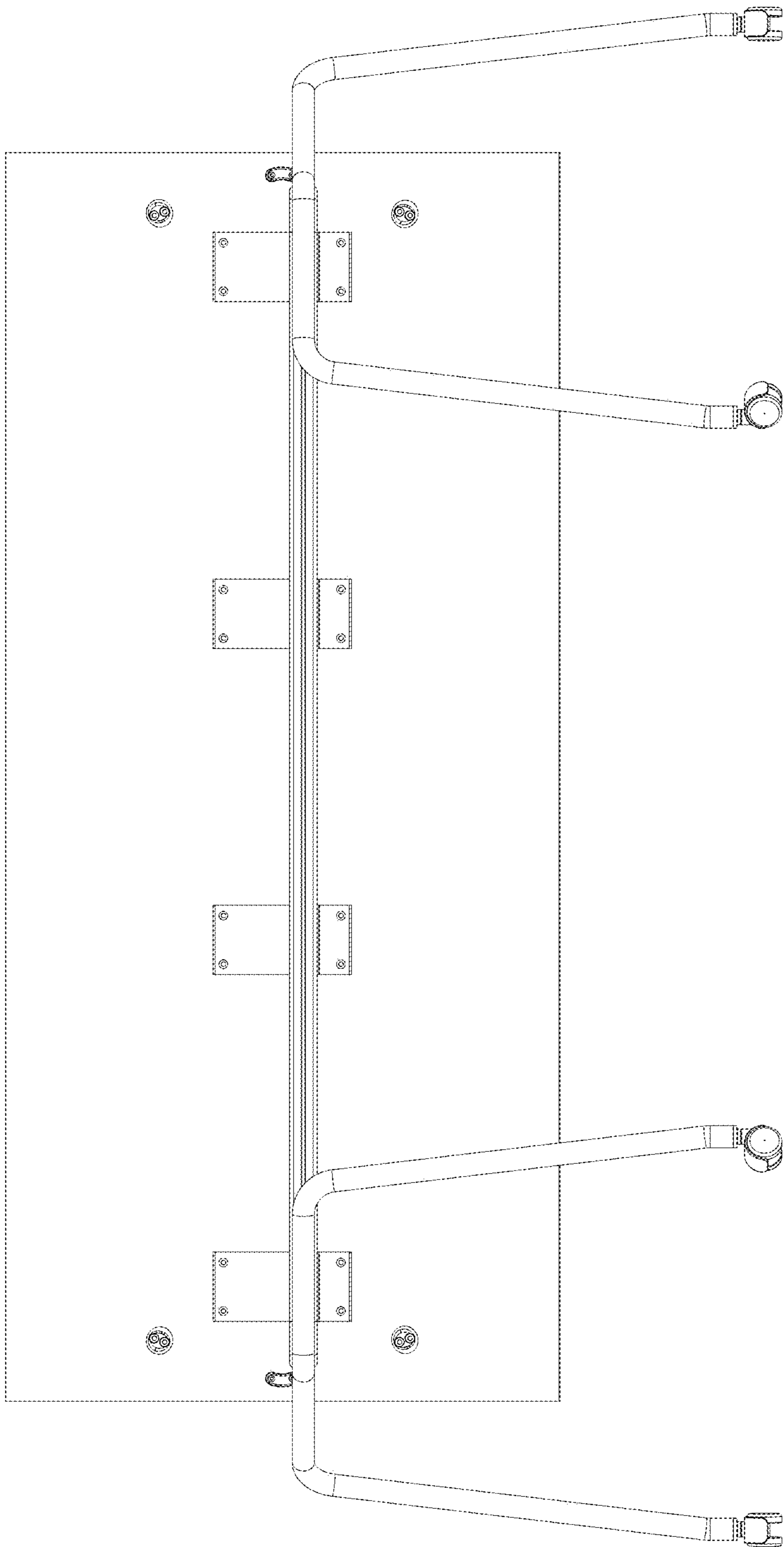


FIG. 34

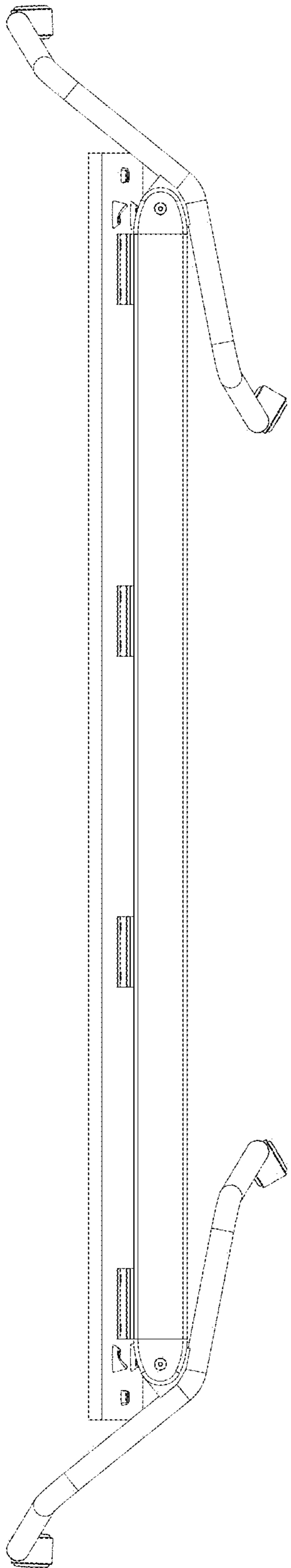


FIG. 35

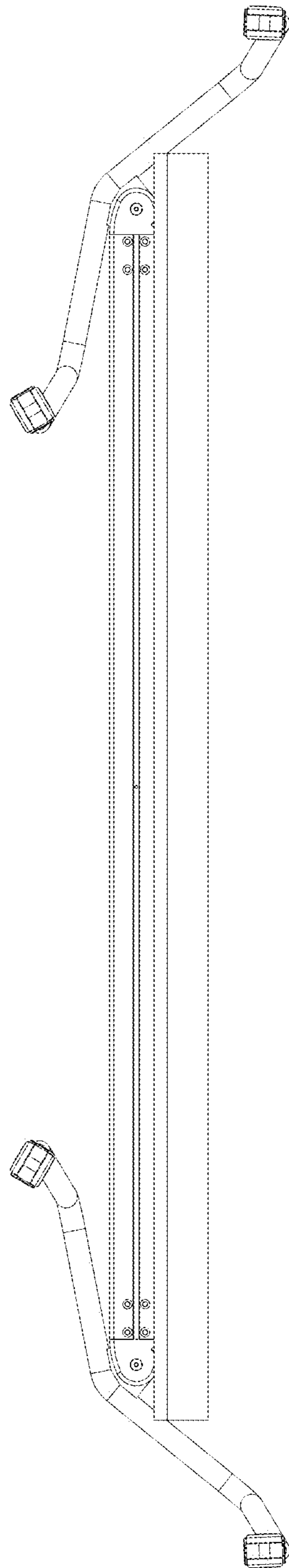


FIG. 36

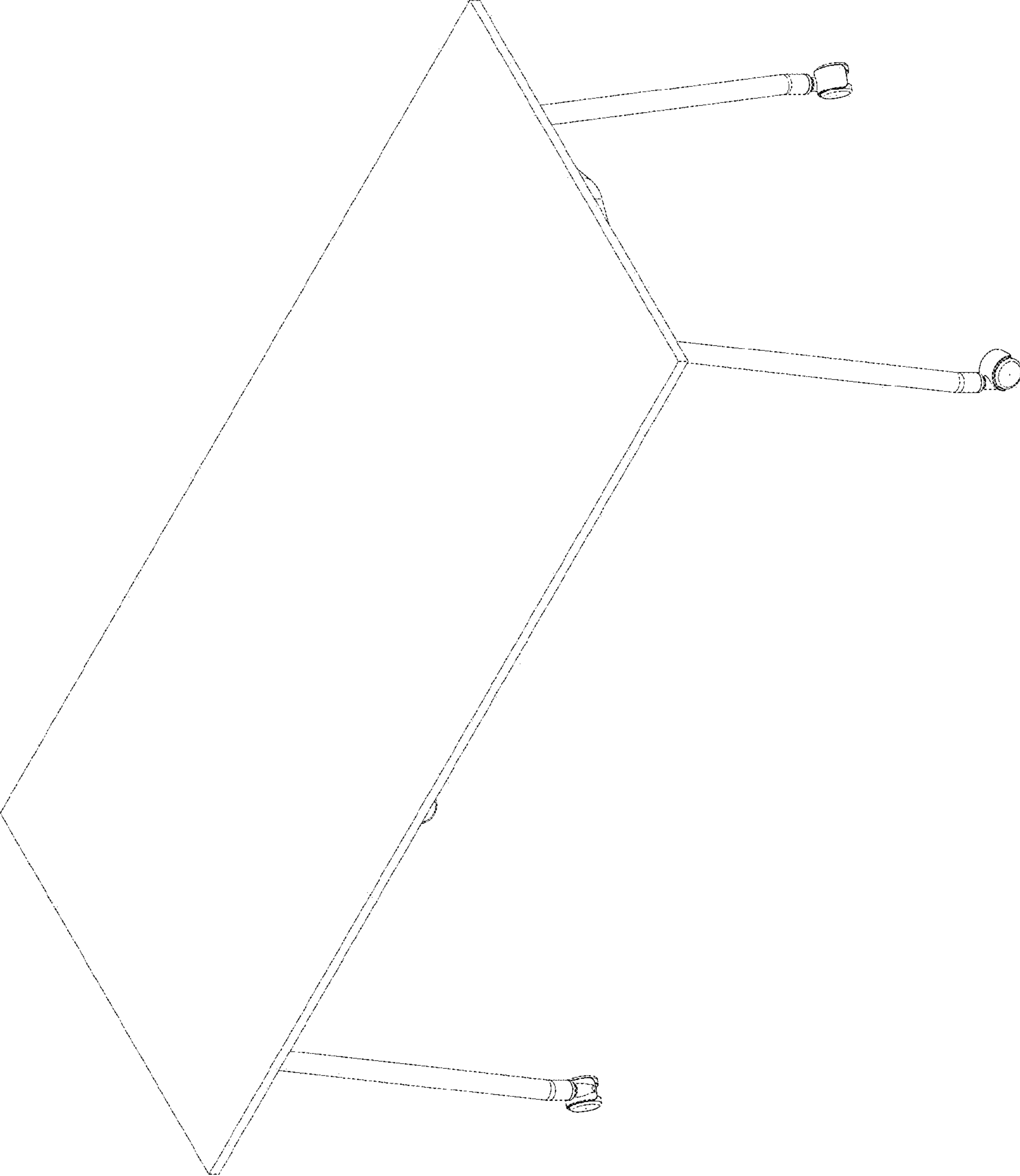


FIG. 37

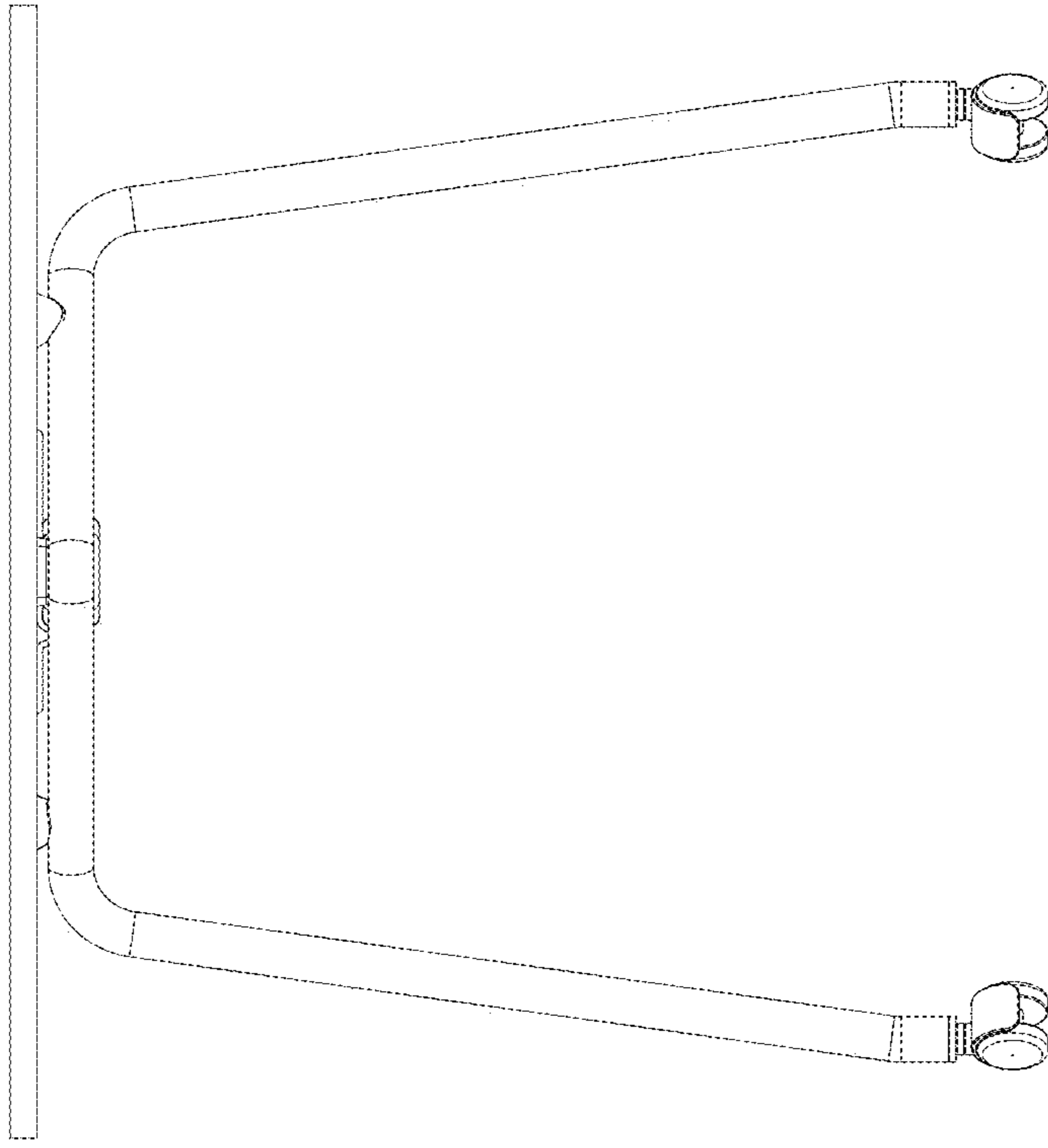


FIG. 39

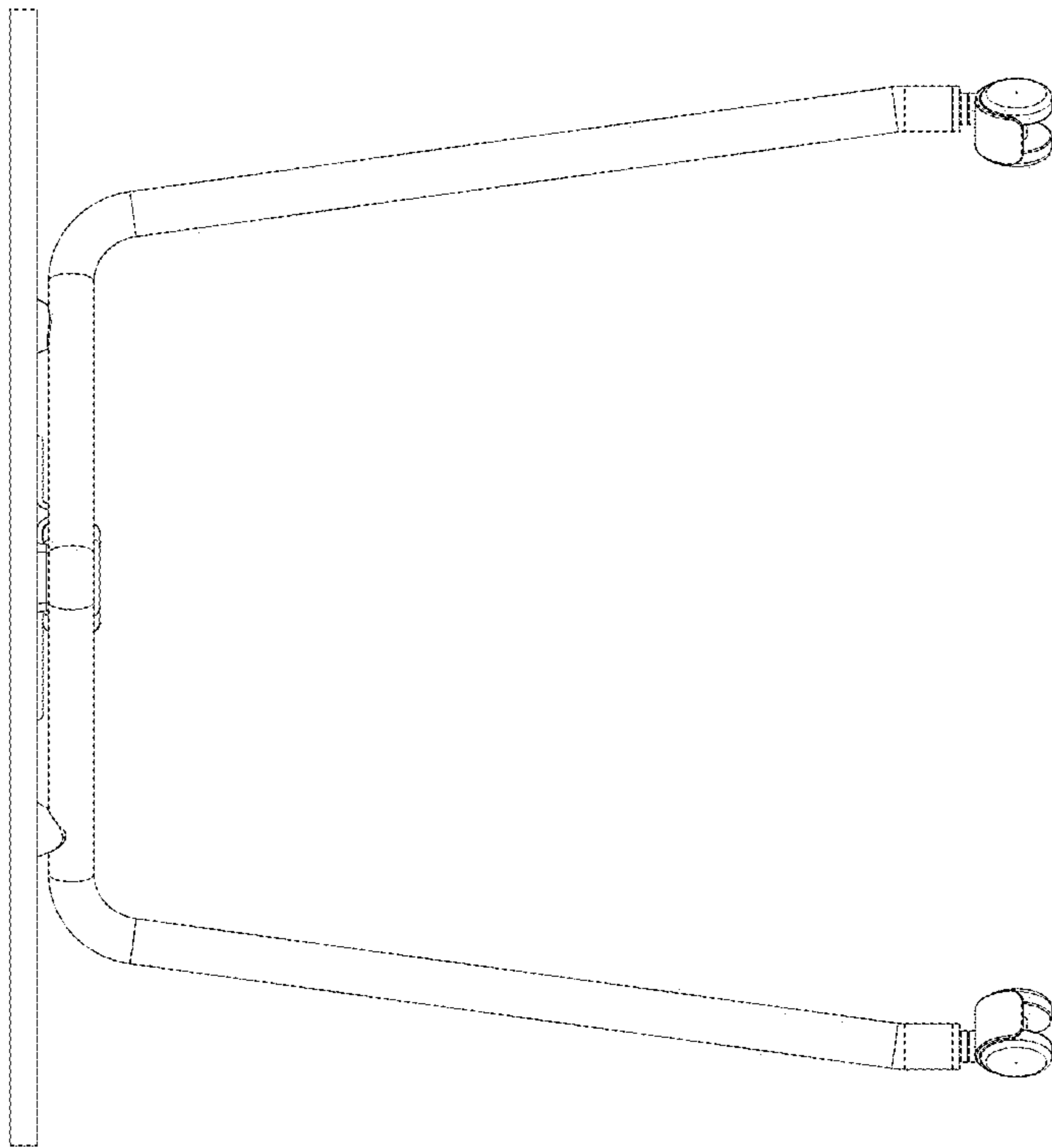


FIG. 38

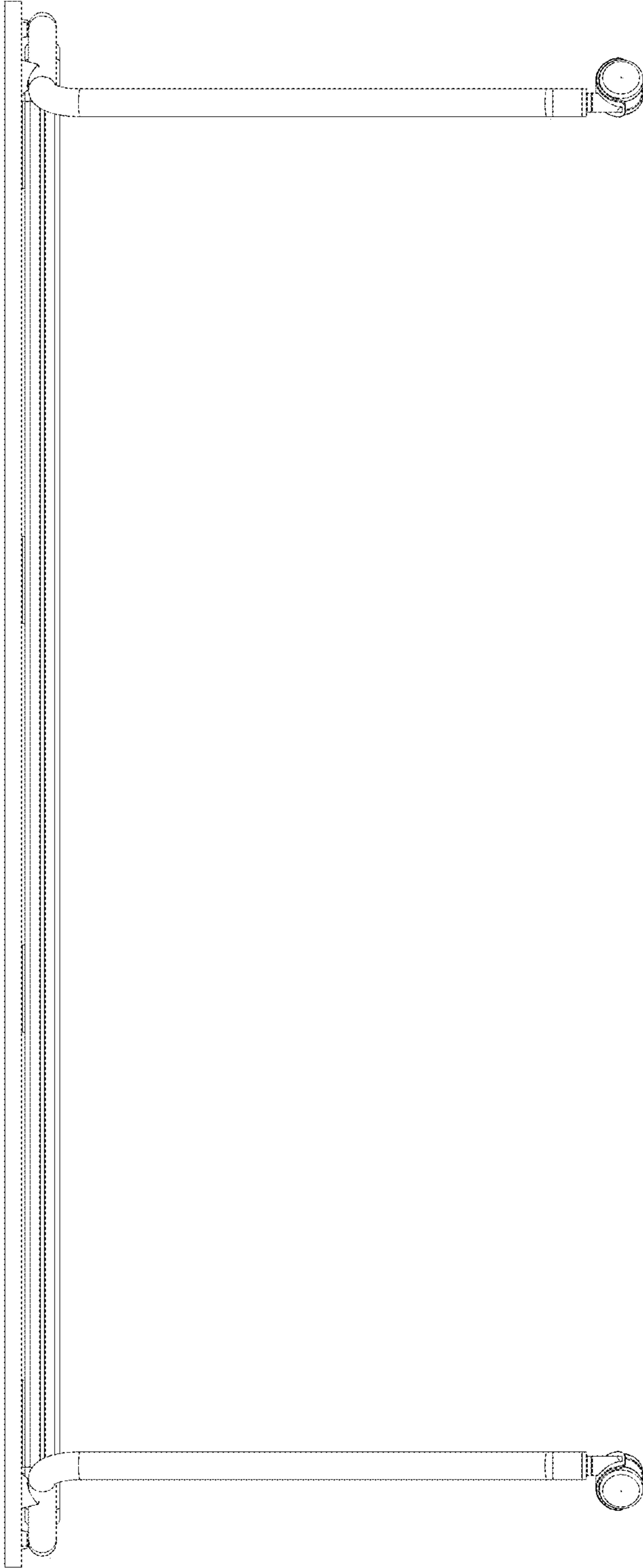


FIG. 40

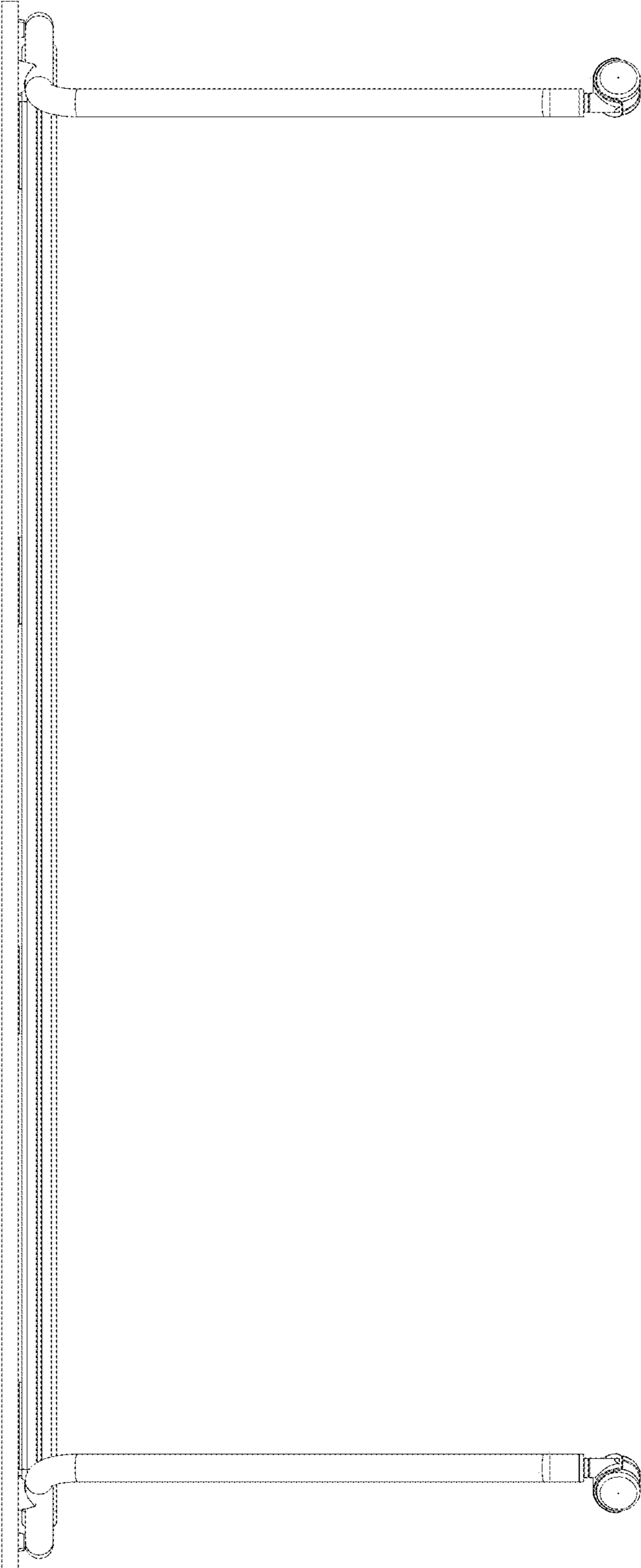


FIG. 41

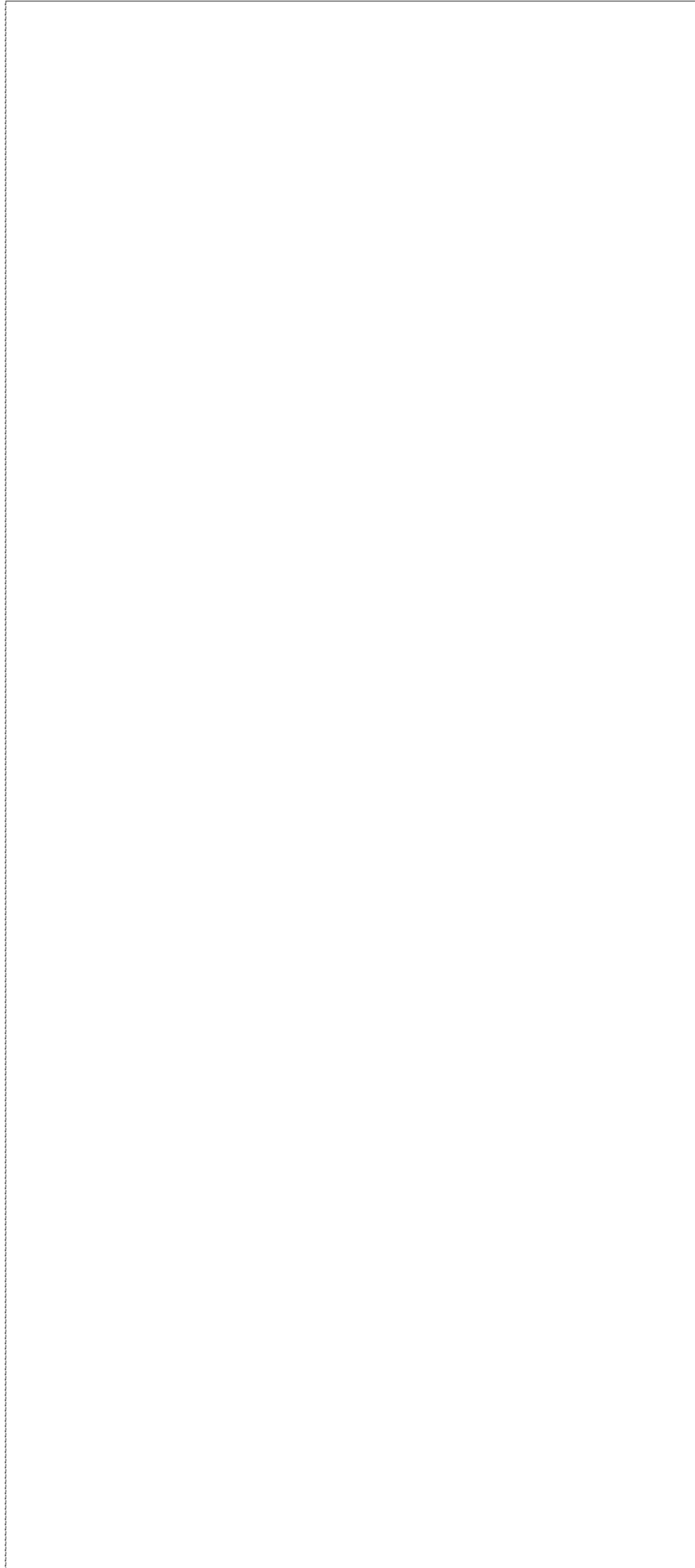


FIG. 42

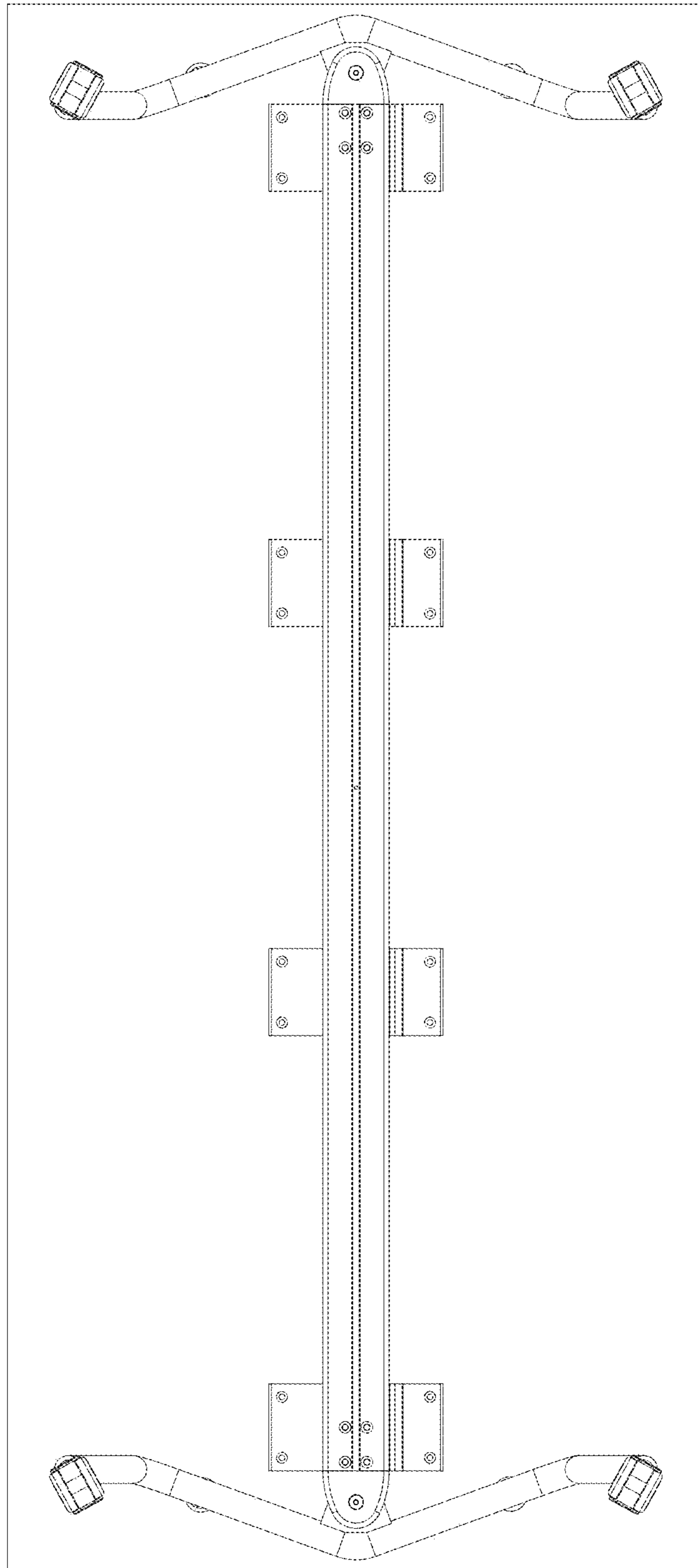


FIG. 43

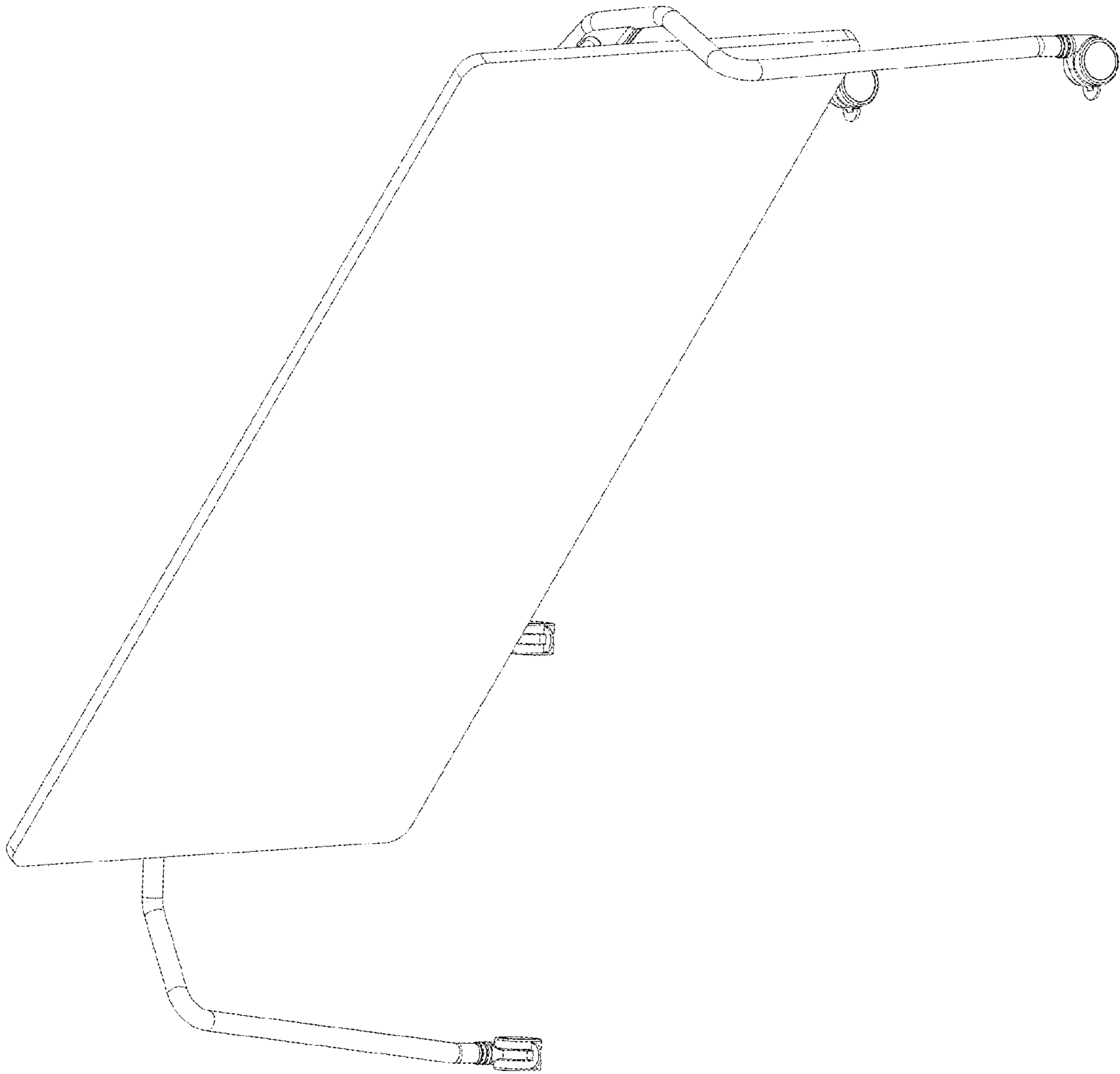


FIG. 44

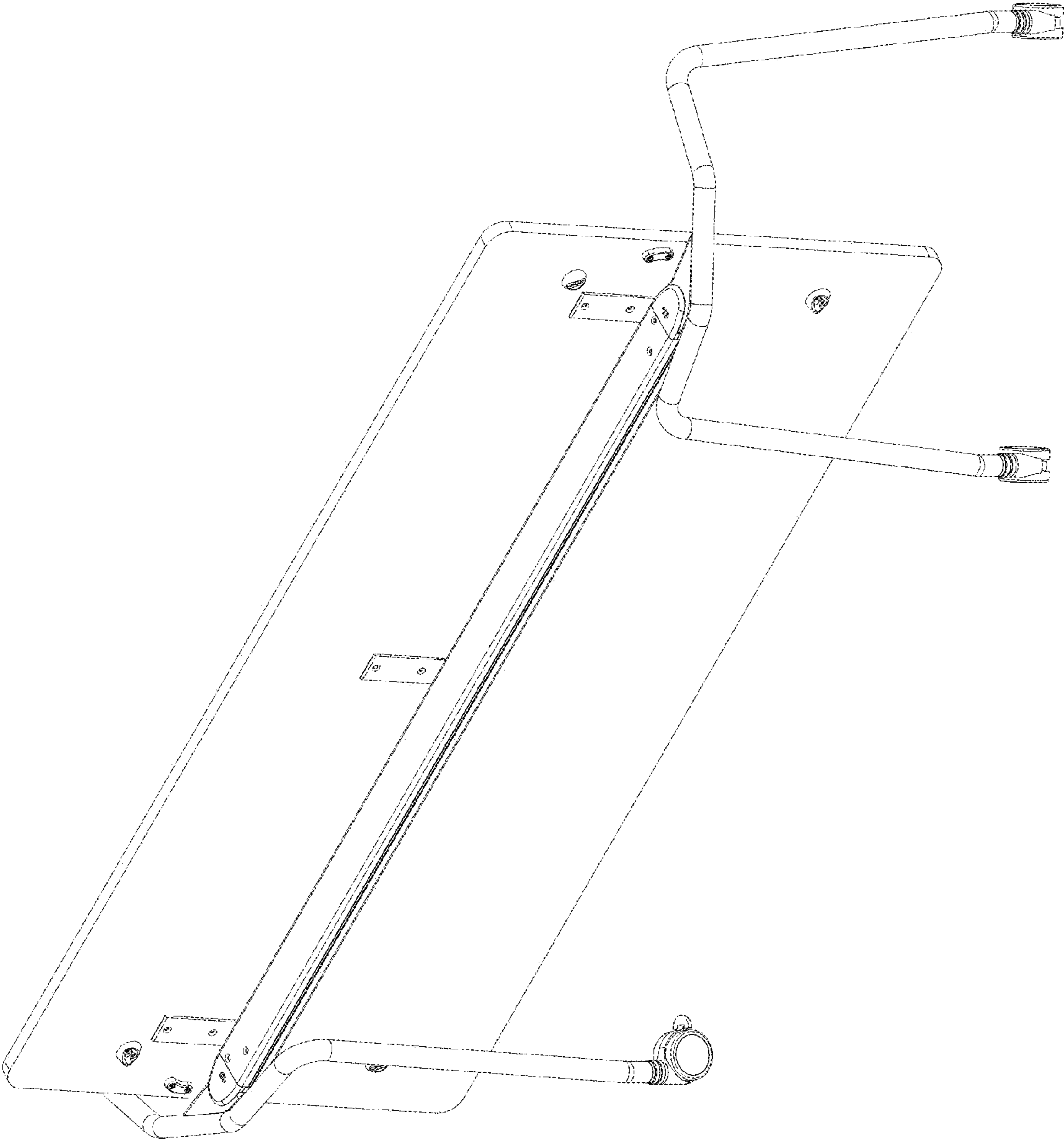


FIG. 45

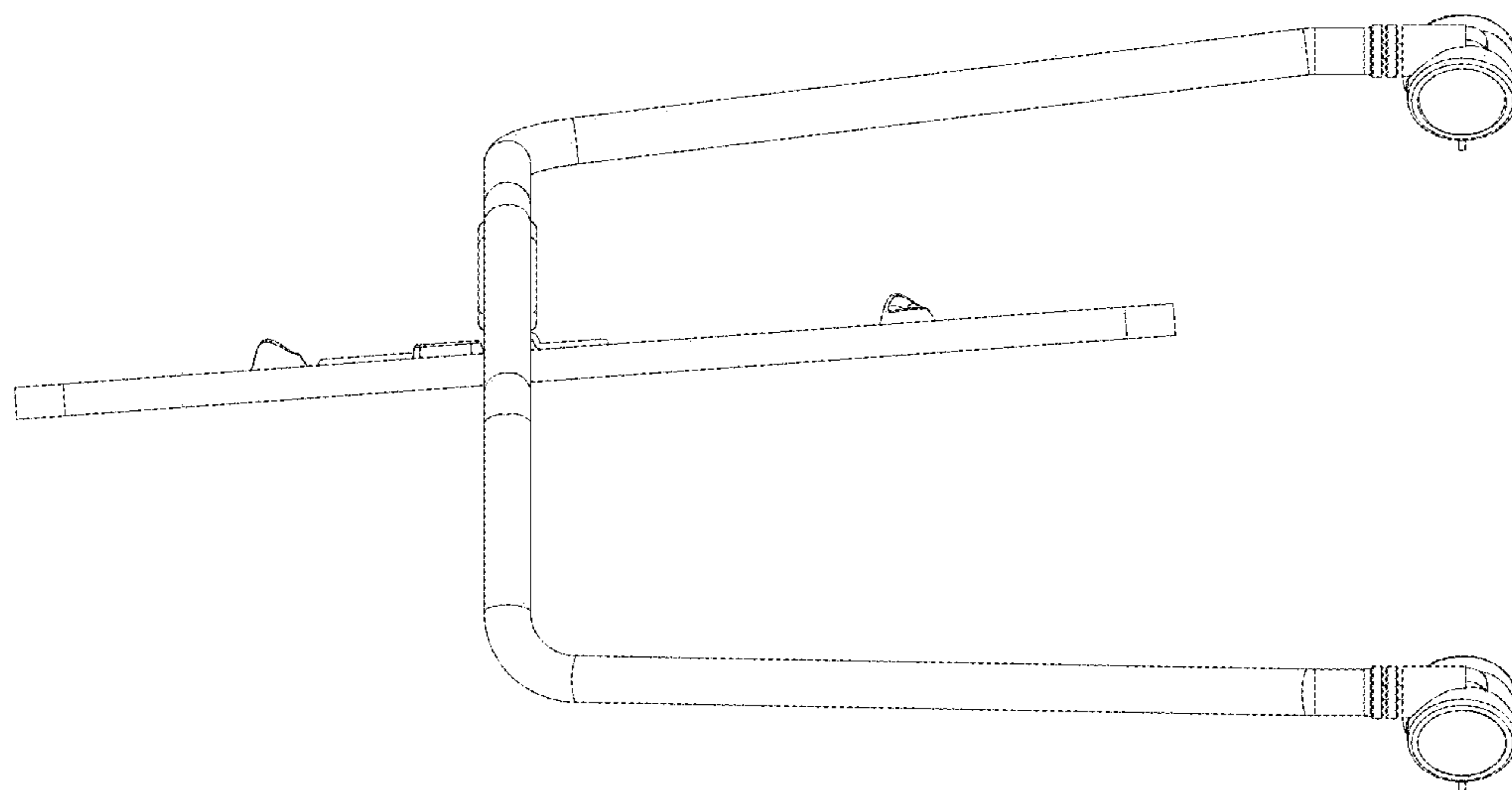


FIG. 47

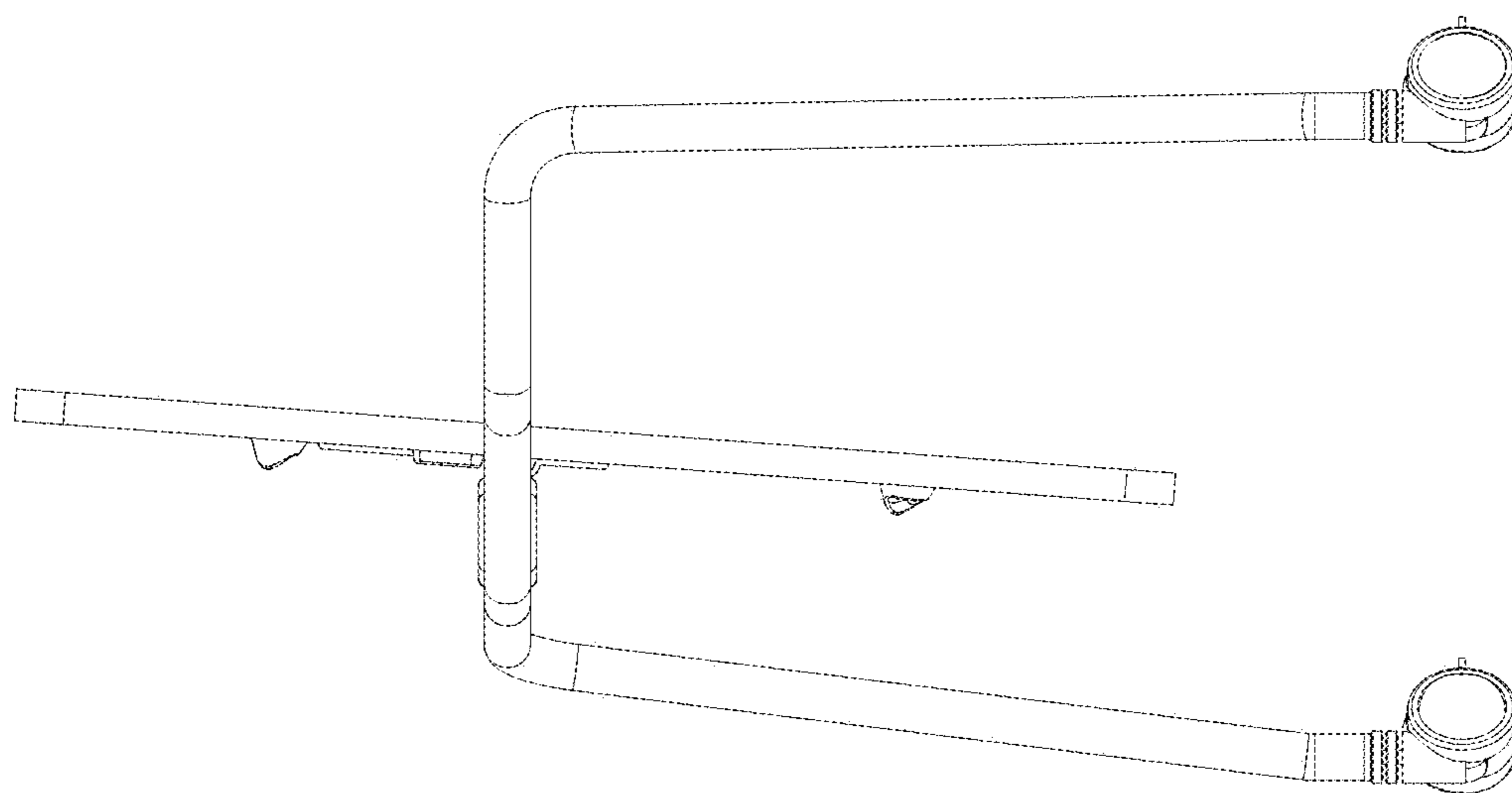


FIG. 46

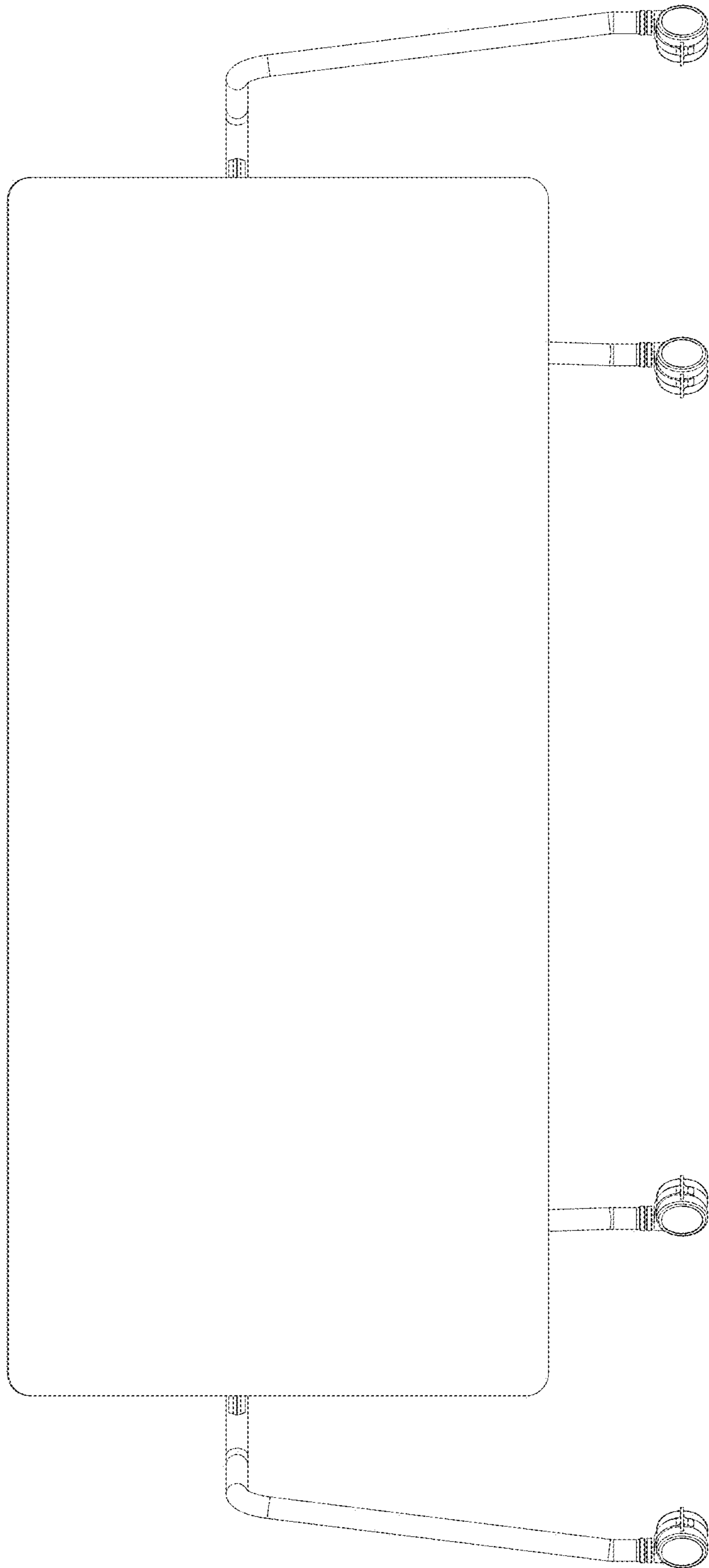


FIG. 48

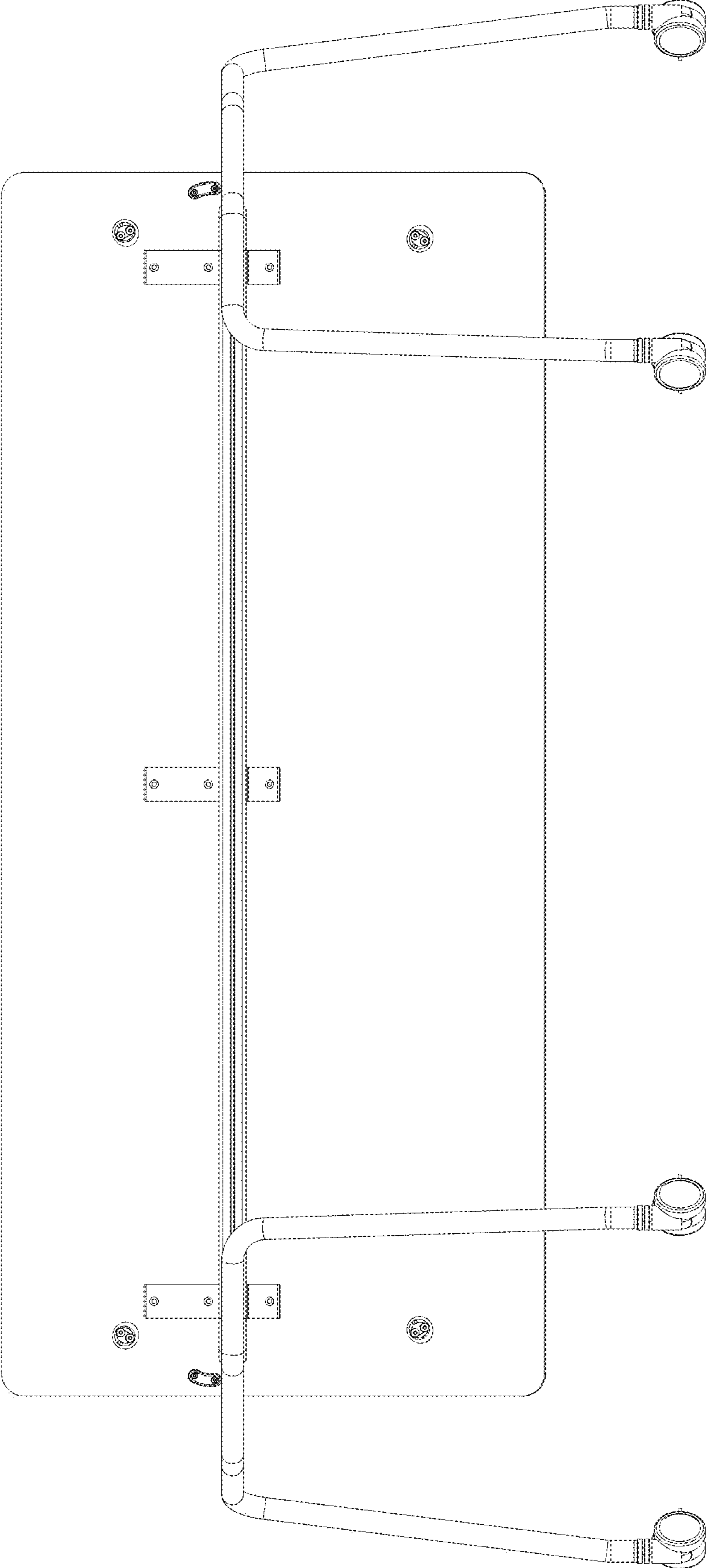


FIG. 49

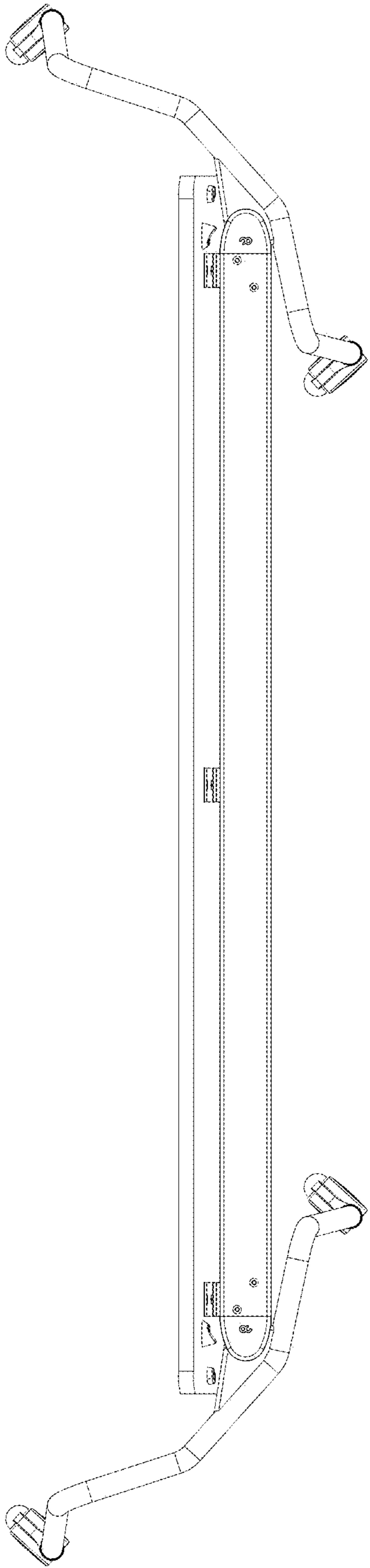


FIG. 50

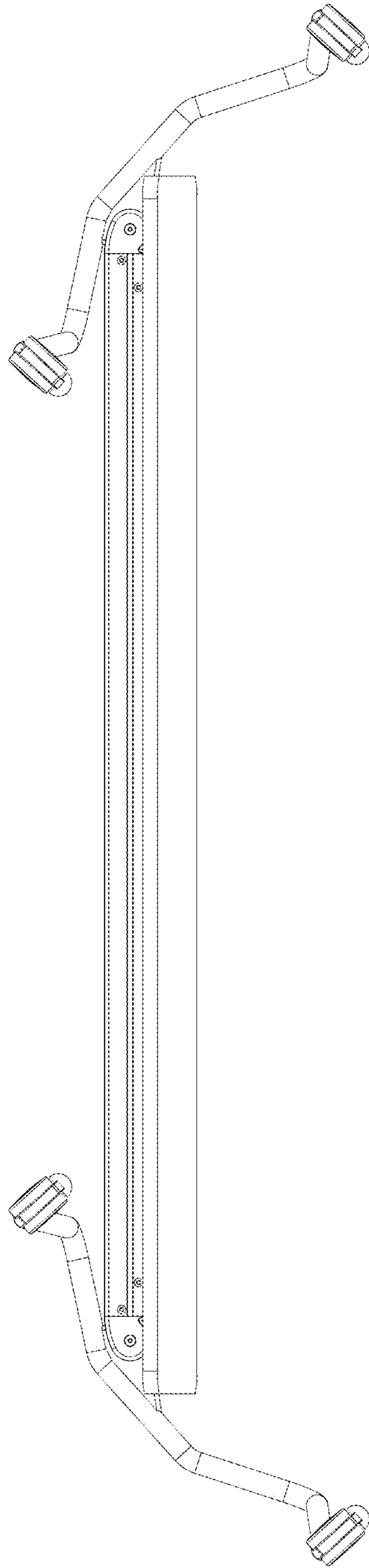


FIG. 51

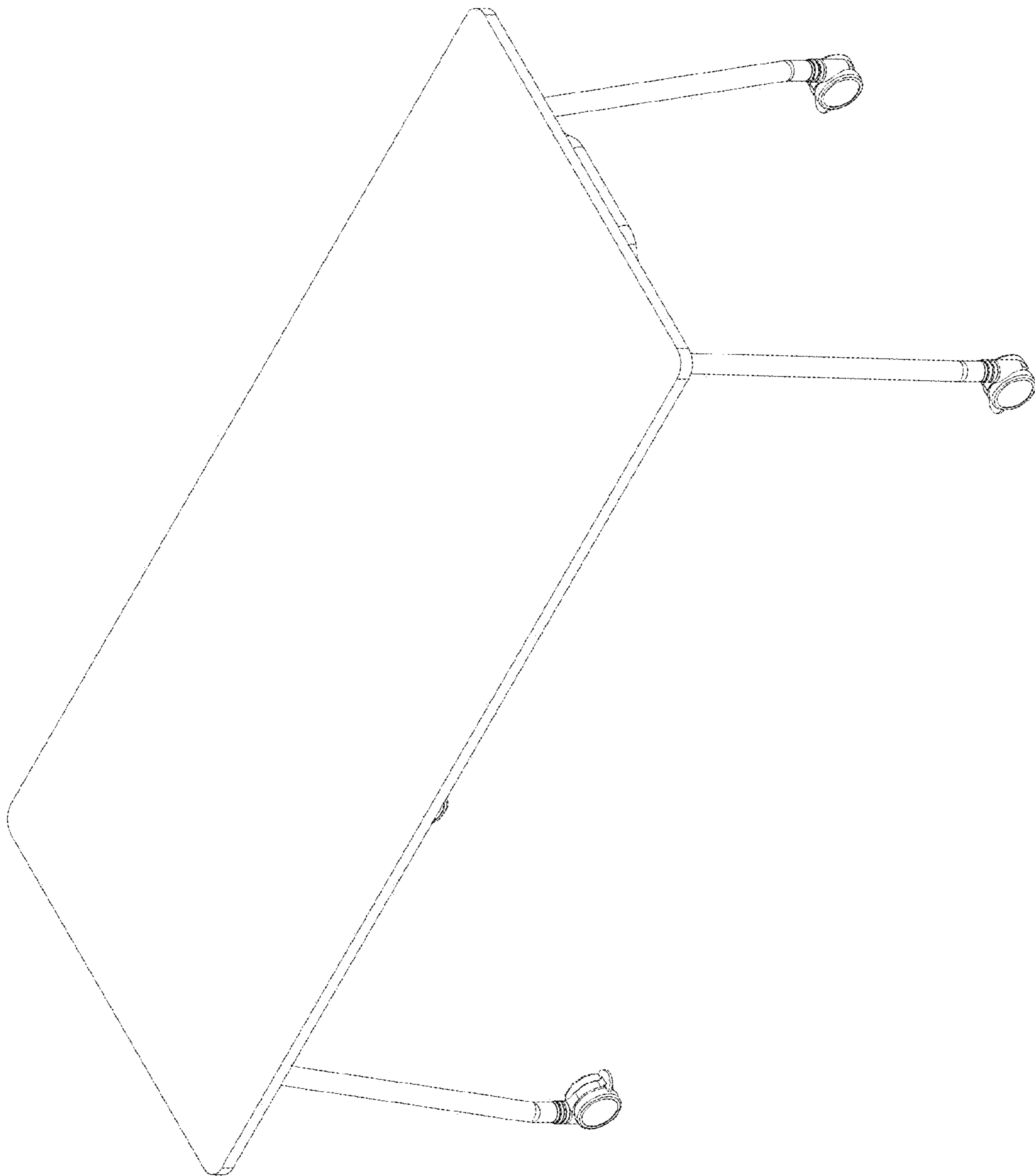


FIG. 52

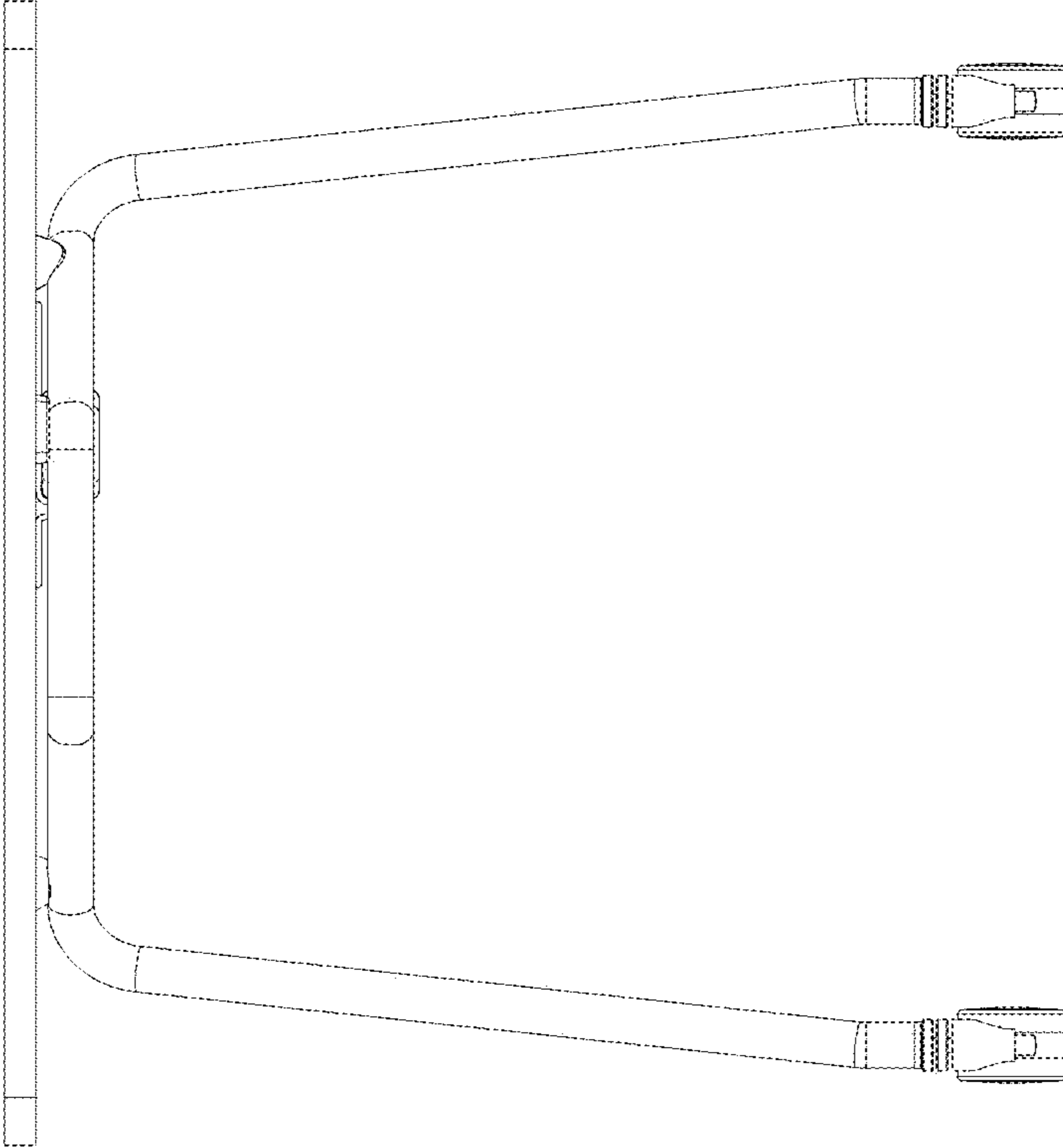


FIG. 53

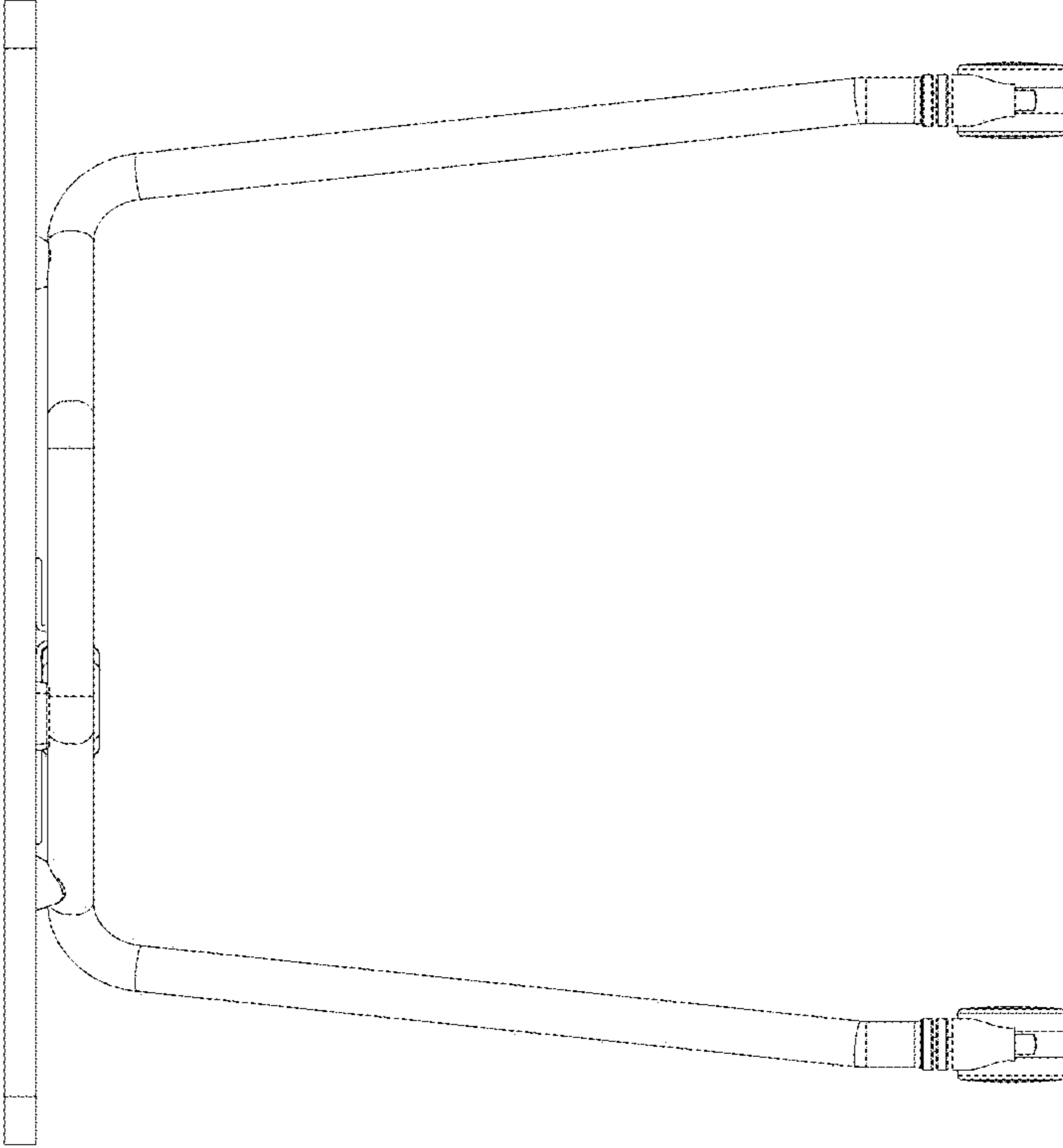


FIG. 54

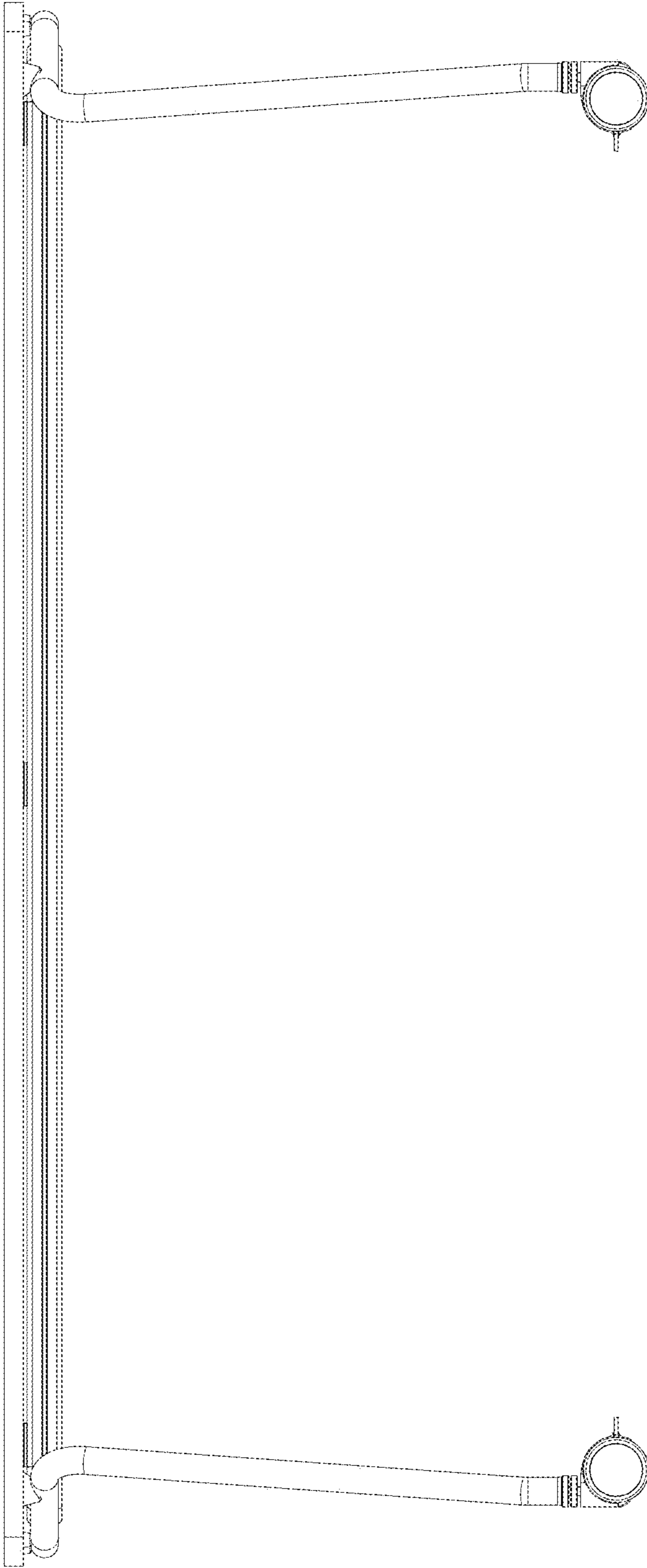


FIG. 55

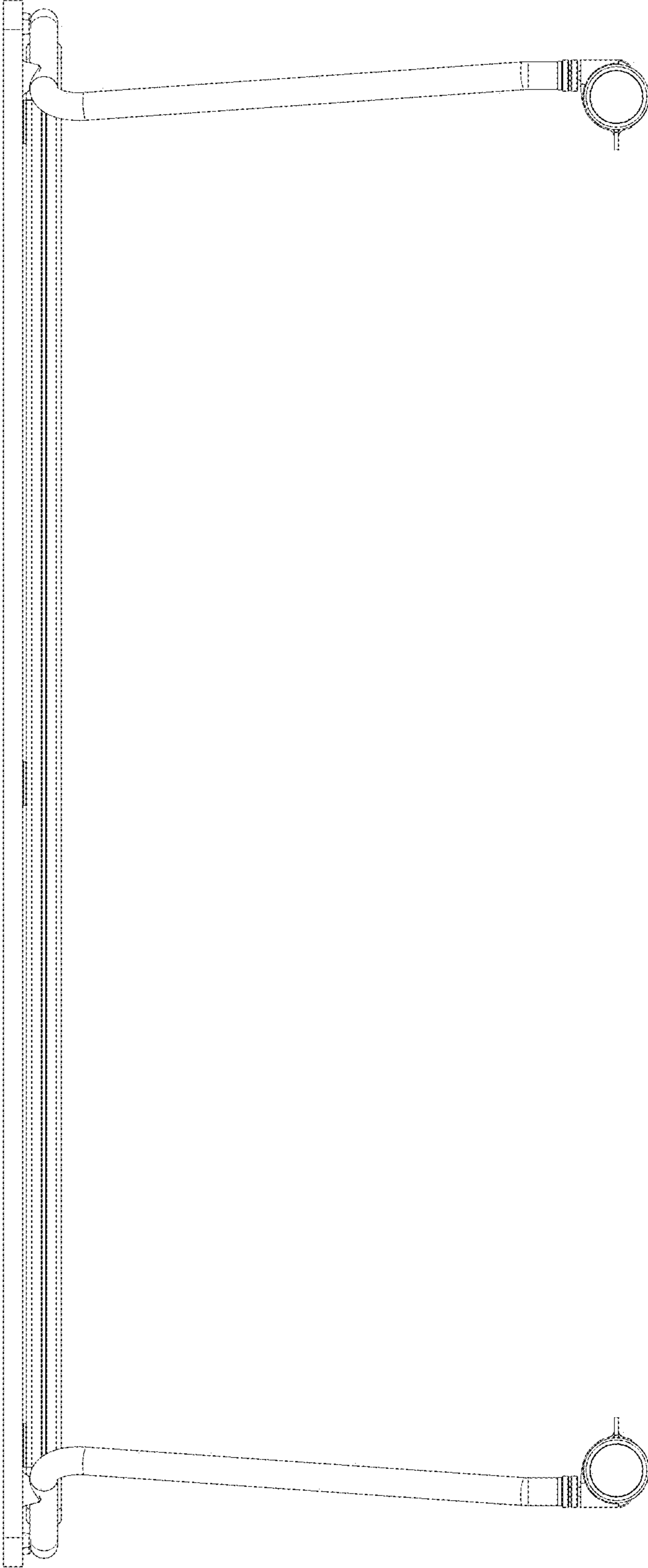


FIG. 56

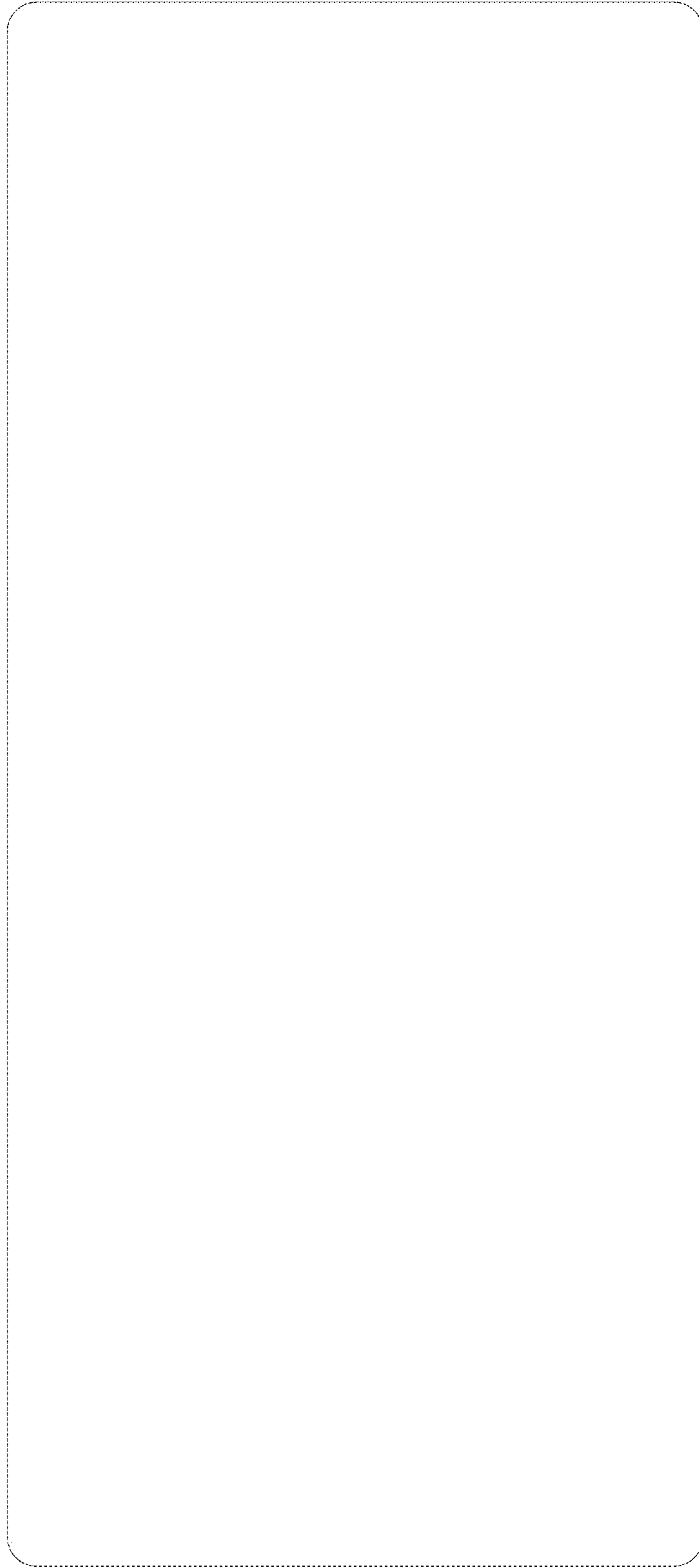


FIG. 57

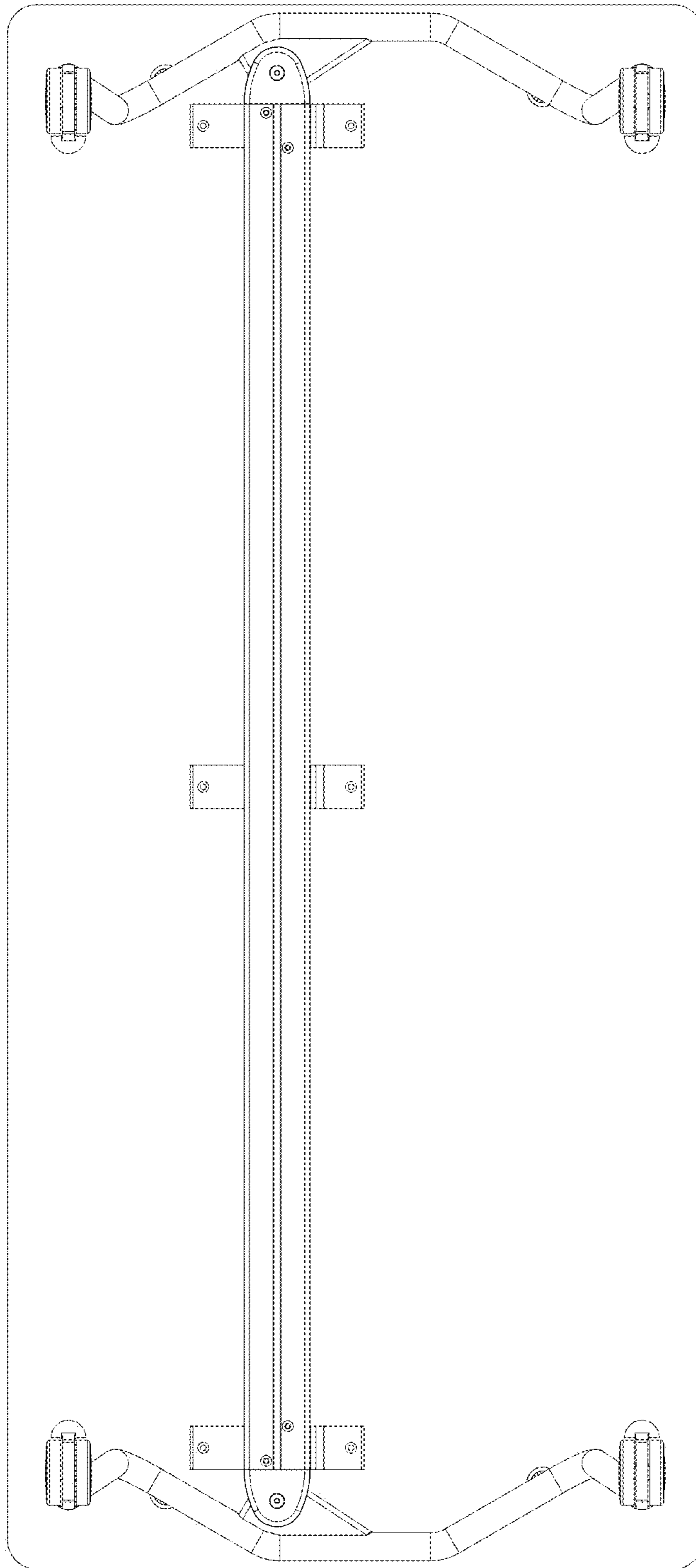


FIG. 58