



US00D931664S

(12) **United States Design Patent**
Gong

(10) **Patent No.:** **US D931,664 S**

(45) **Date of Patent:** **** Sep. 28, 2021**

(54) **6-TIER KITCHEN CORNER SHELF**

(71) Applicant: **Foshan Zengxin Technology Co., Ltd.**,
Foshan (CN)

(72) Inventor: **Meiman Gong**, Foshan (CN)

(**) Term: **15 Years**

(21) Appl. No.: **29/765,801**

(22) Filed: **Jan. 12, 2021**

(51) **LOC (13) Cl.** **06-06**

(52) **U.S. Cl.**
USPC **D6/676.1**

(58) **Field of Classification Search**
USPC D6/672, 673, 675, 675.1, 676, 676.1,
D6/677, 677.1, 702, 705, 512; D7/601,
D7/602
CPC A47J 47/16; A47F 5/0018; A47F 5/0043;
A47F 5/04; A47F 5/08; A47B 23/00;
A47B 23/04

See application file for complete search history.

(56) **References Cited**

U.S. PATENT DOCUMENTS

D304,398 S *	11/1989	Goetz	D6/676.1
D314,477 S *	2/1991	Richter	D6/676.1
D325,137 S *	4/1992	Porter	D6/676.1
D327,795 S *	7/1992	Kee	D6/676.2
D382,733 S *	8/1997	Goetz	D6/676.1
D501,338 S	2/2005	Deasy et al.		
D512,260 S	12/2005	Melnyk		
D572,940 S	7/2008	Murray		
D637,427 S	5/2011	Troyner		
D701,714 S *	4/2014	Gelman	D6/676.1
D713,181 S *	9/2014	Cohen	D6/676.1
D716,083 S *	10/2014	Hsu	D6/678.4

D723,310 S	3/2015	Goodman et al.		
D741,092 S	10/2015	Goodman et al.		
D851,421 S *	6/2019	Asselmann	D6/525
D861,397 S *	10/2019	Cohen	D6/676.1
D878,117 S	3/2020	Gelman		
D885,093 S *	5/2020	Gelman	D6/676.1
D907,414 S *	1/2021	Li	D6/676.1

OTHER PUBLICATIONS

<https://www.amazon.com/Standing-Cookware-Organizer-Assembly-Unassembled/dp/B082Z12T3H>.*

* cited by examiner

Primary Examiner — Kelley A Donnelly
(74) *Attorney, Agent, or Firm* — Runit Ranjit Kanakia

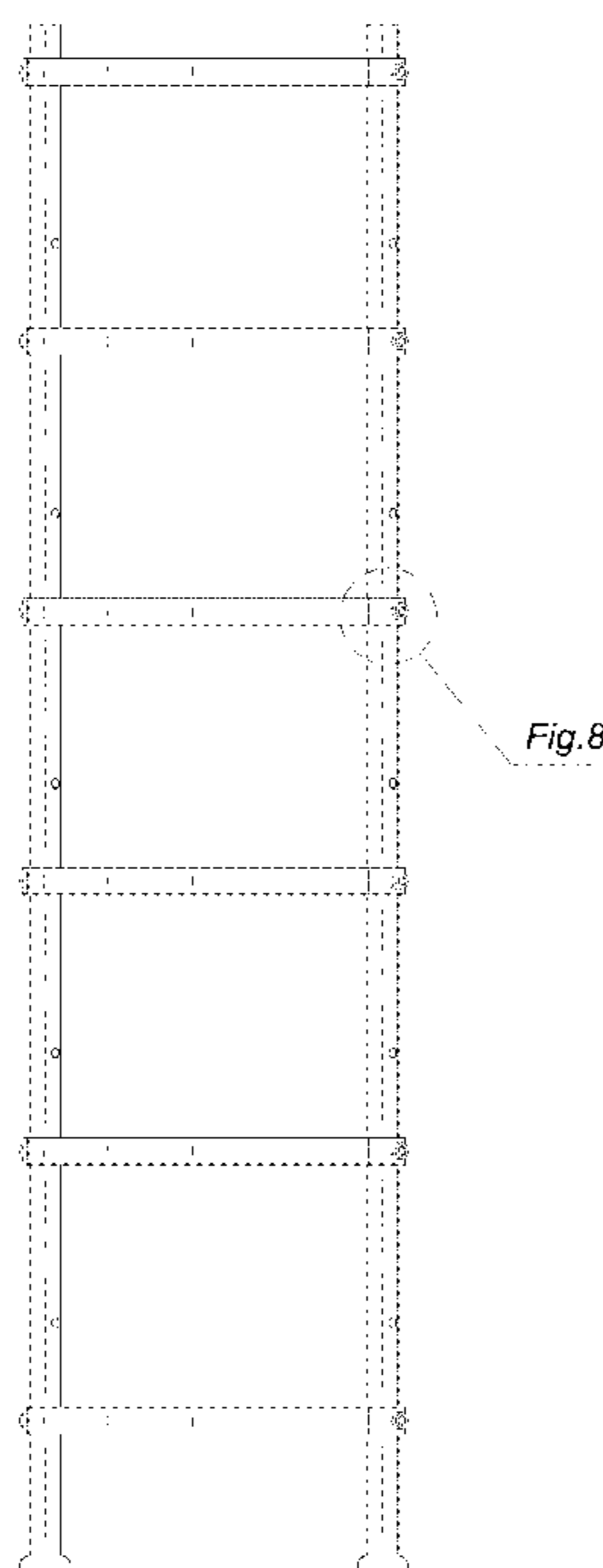
(57) **CLAIM**

The ornamental design for a 6-tier kitchen corner shelf, as shown and described.

DESCRIPTION

FIG. 1 is a front elevational view thereof of a 6-tier kitchen corner shelf showing my new design; FIG. 2 is a rear elevational view thereof; and, FIG. 3 is a left side view thereof; FIG. 4 is a right side view thereof; FIG. 5 is a top plan view thereof; FIG. 6 is a bottom plan view thereof; FIG. 7 is a perspective view thereof of a 6-tier kitchen corner shelf showing my new design; FIG. 8 is a partial enlarged view of FIG. 1; and, FIG. 9 is a partial enlarged view of FIG. 5. The broken lines in the figures are for the purposes of illustrating portions of the 6-tier kitchen corner shelf, which form no part of the claimed design.

1 Claim, 9 Drawing Sheets



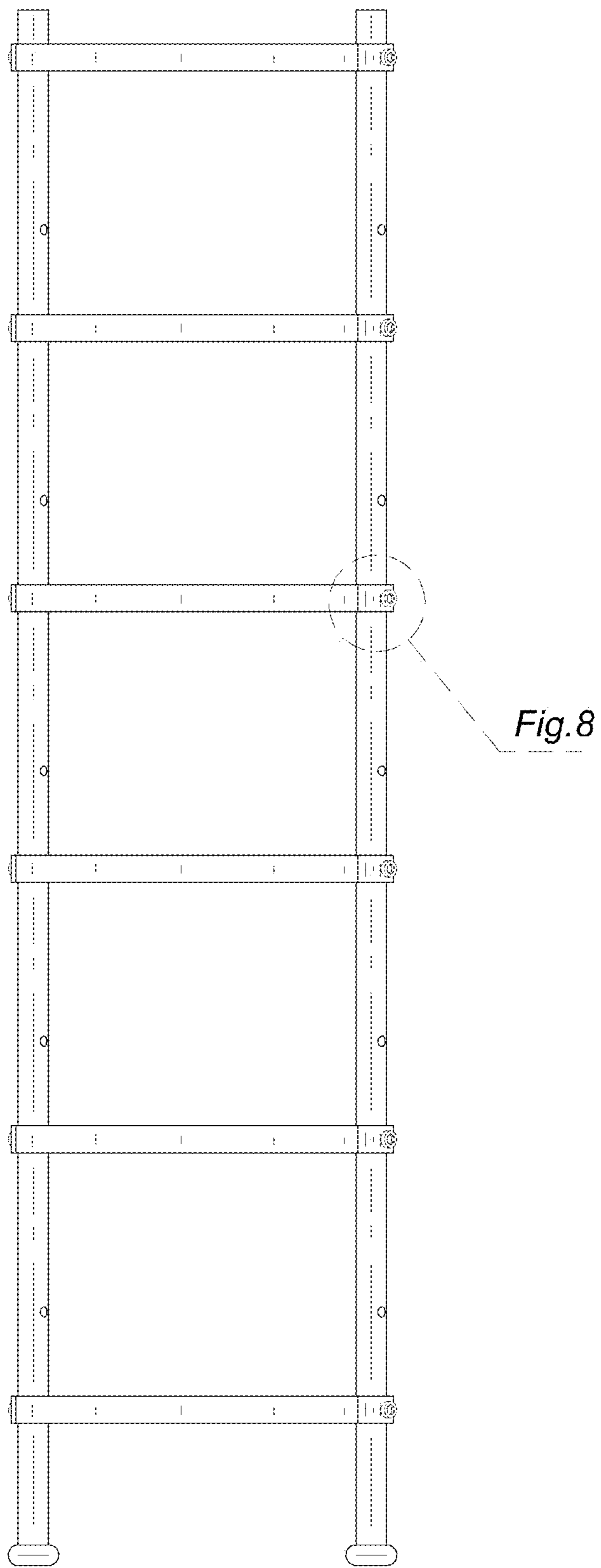


Fig. 1

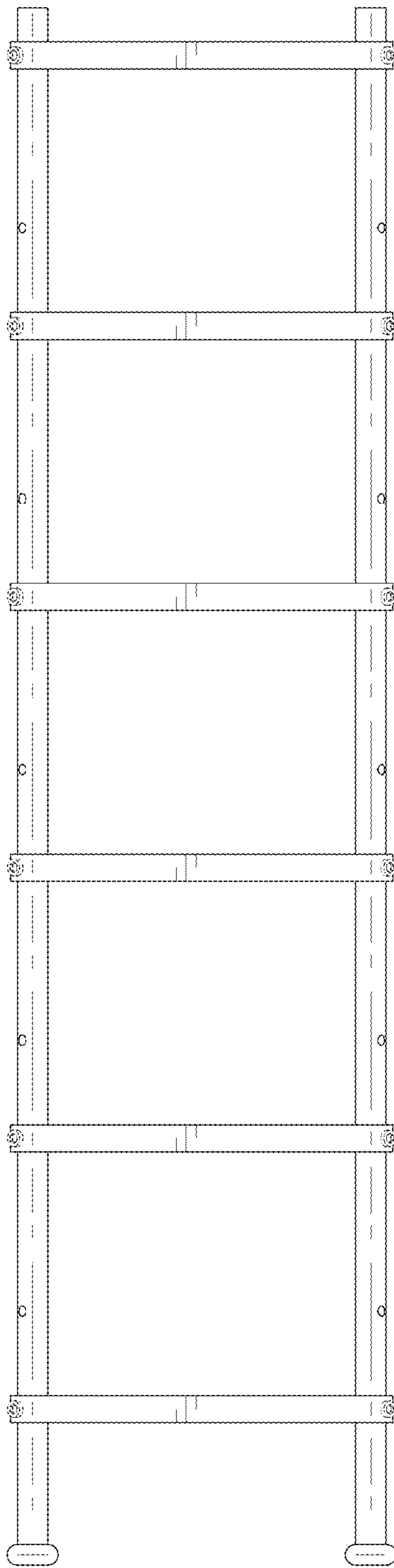


Fig.2

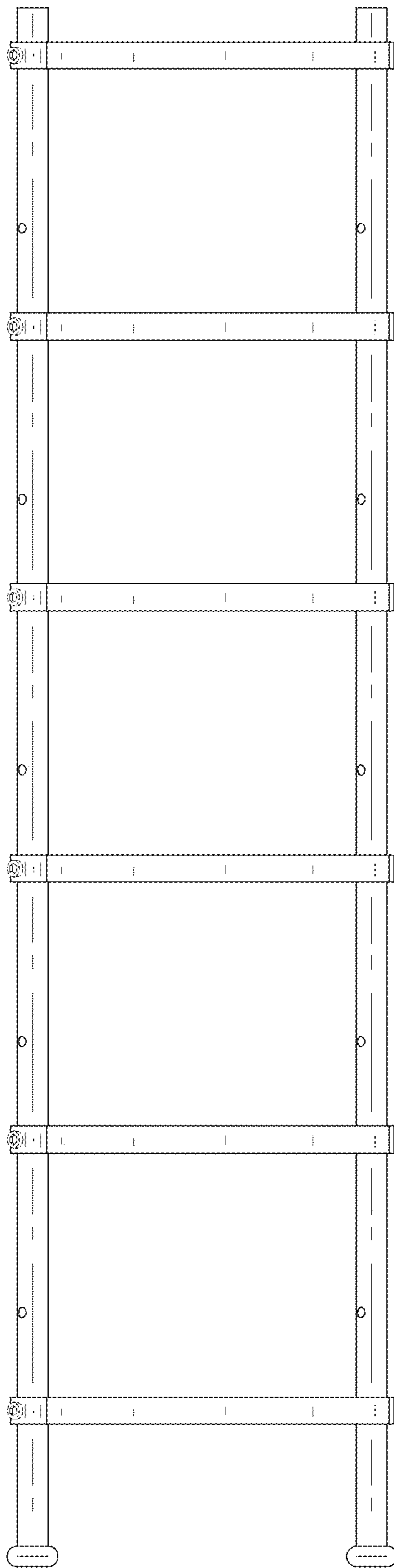


Fig.3

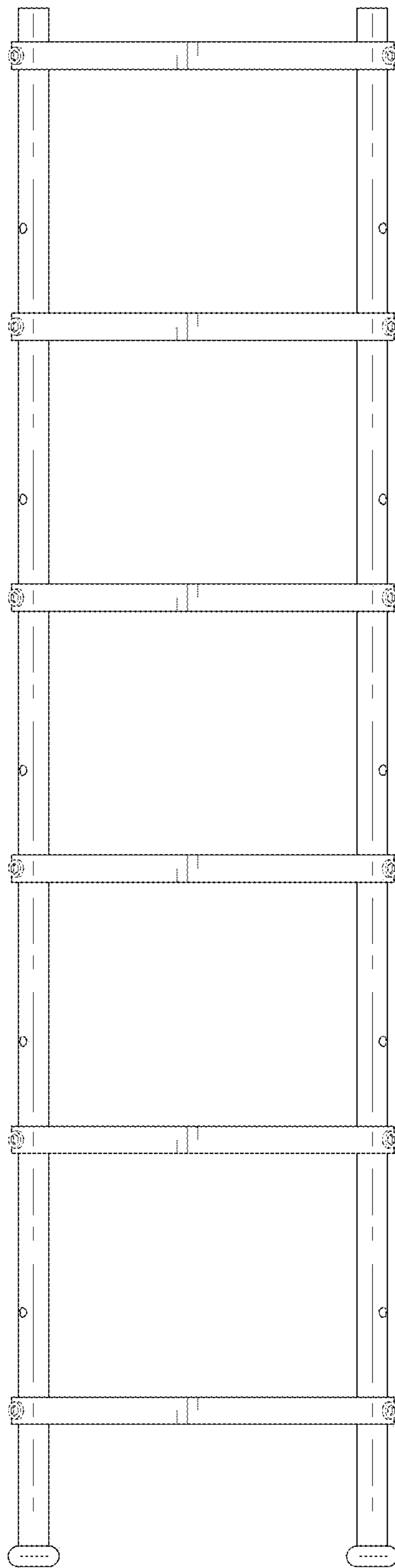


Fig.4

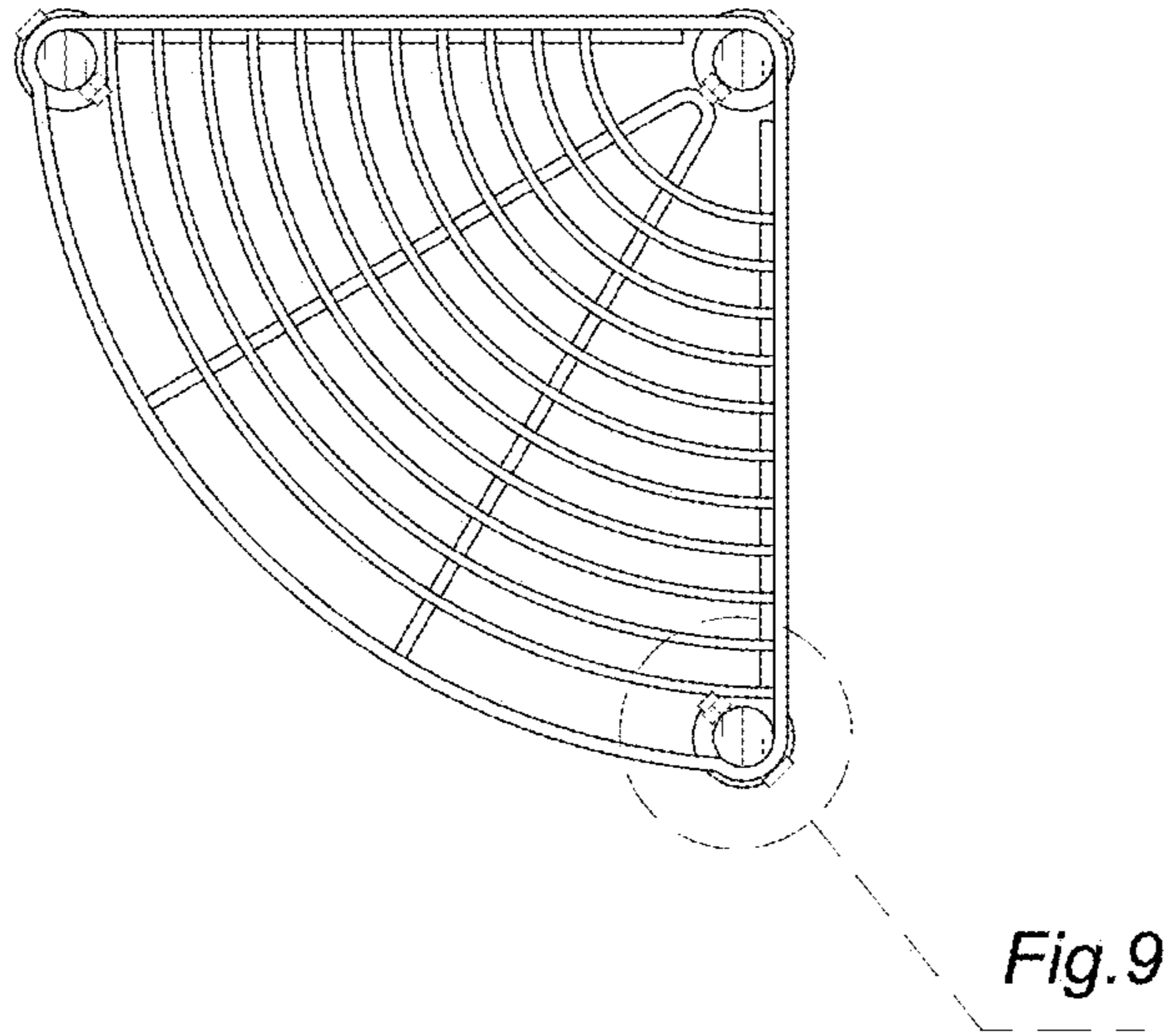


Fig. 5

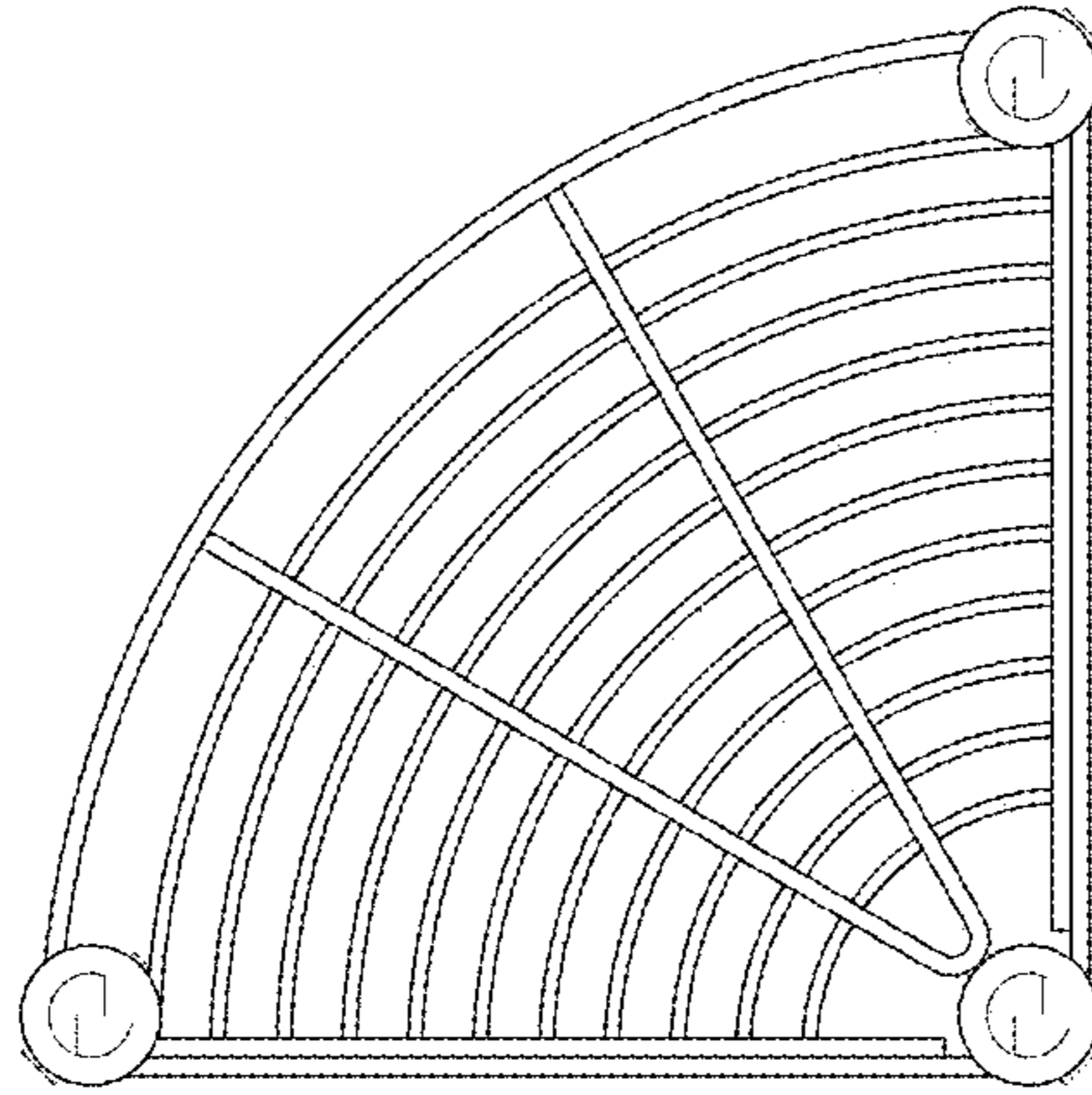


Fig.6

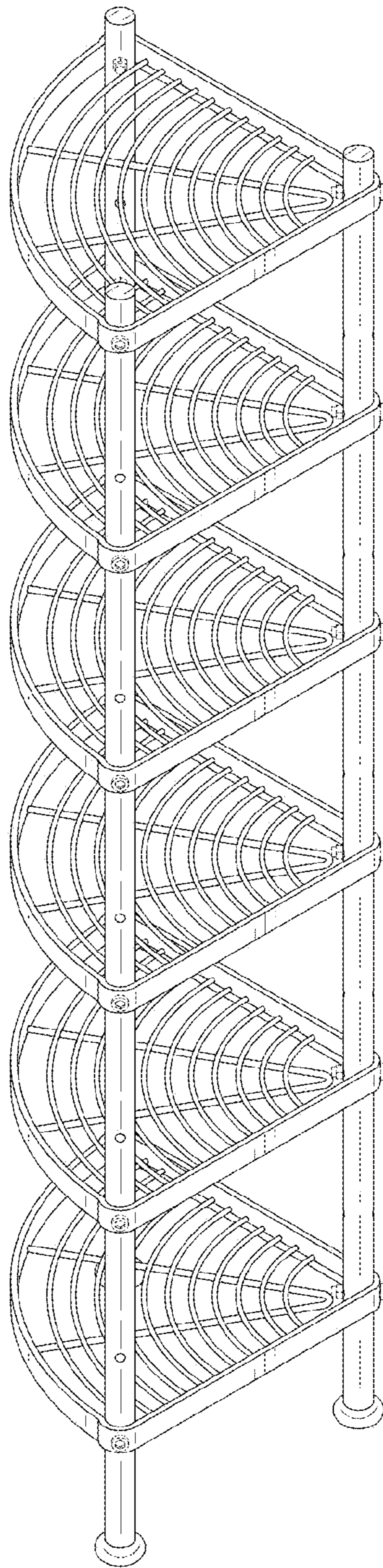


Fig.7

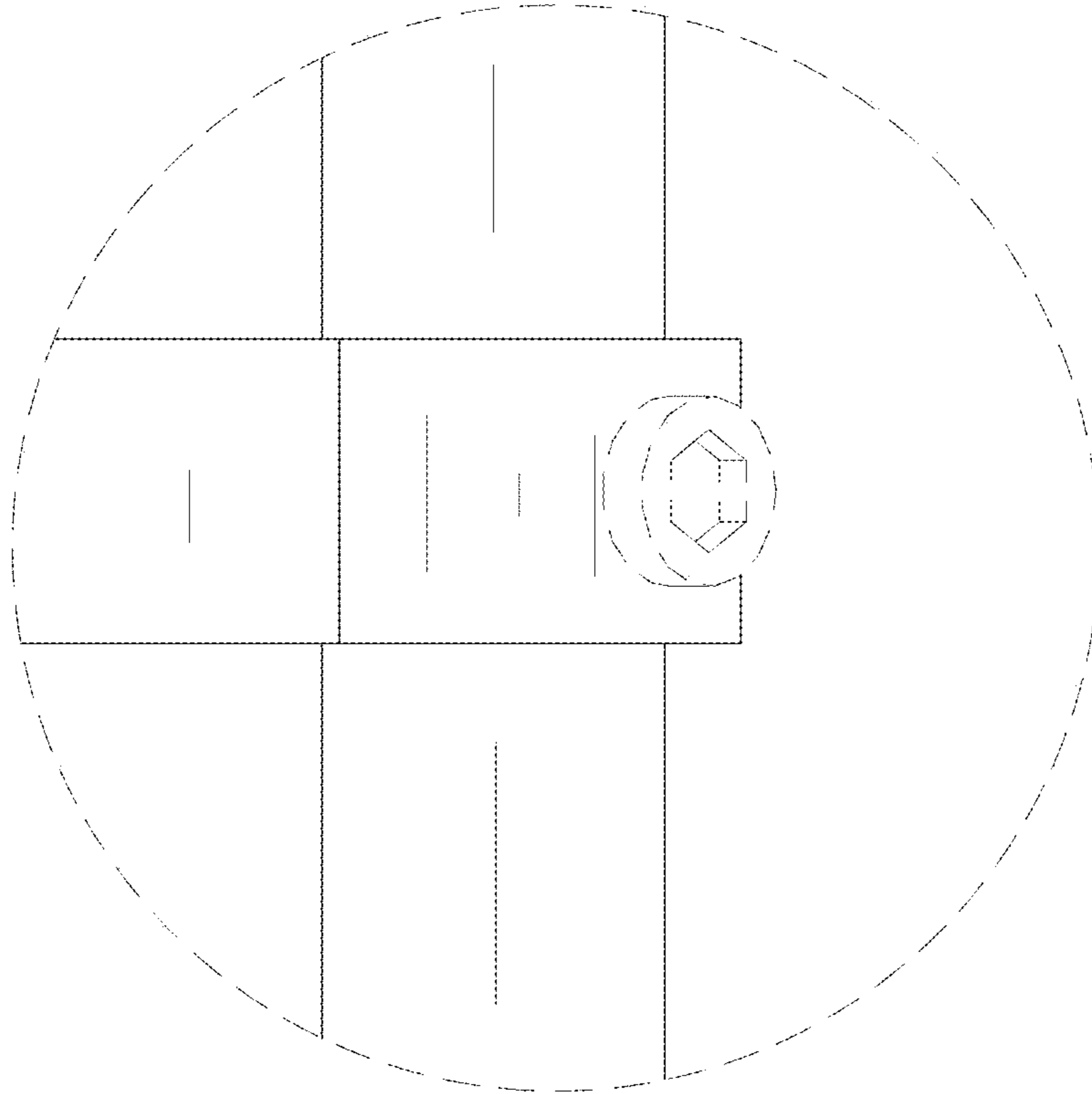


Fig.8

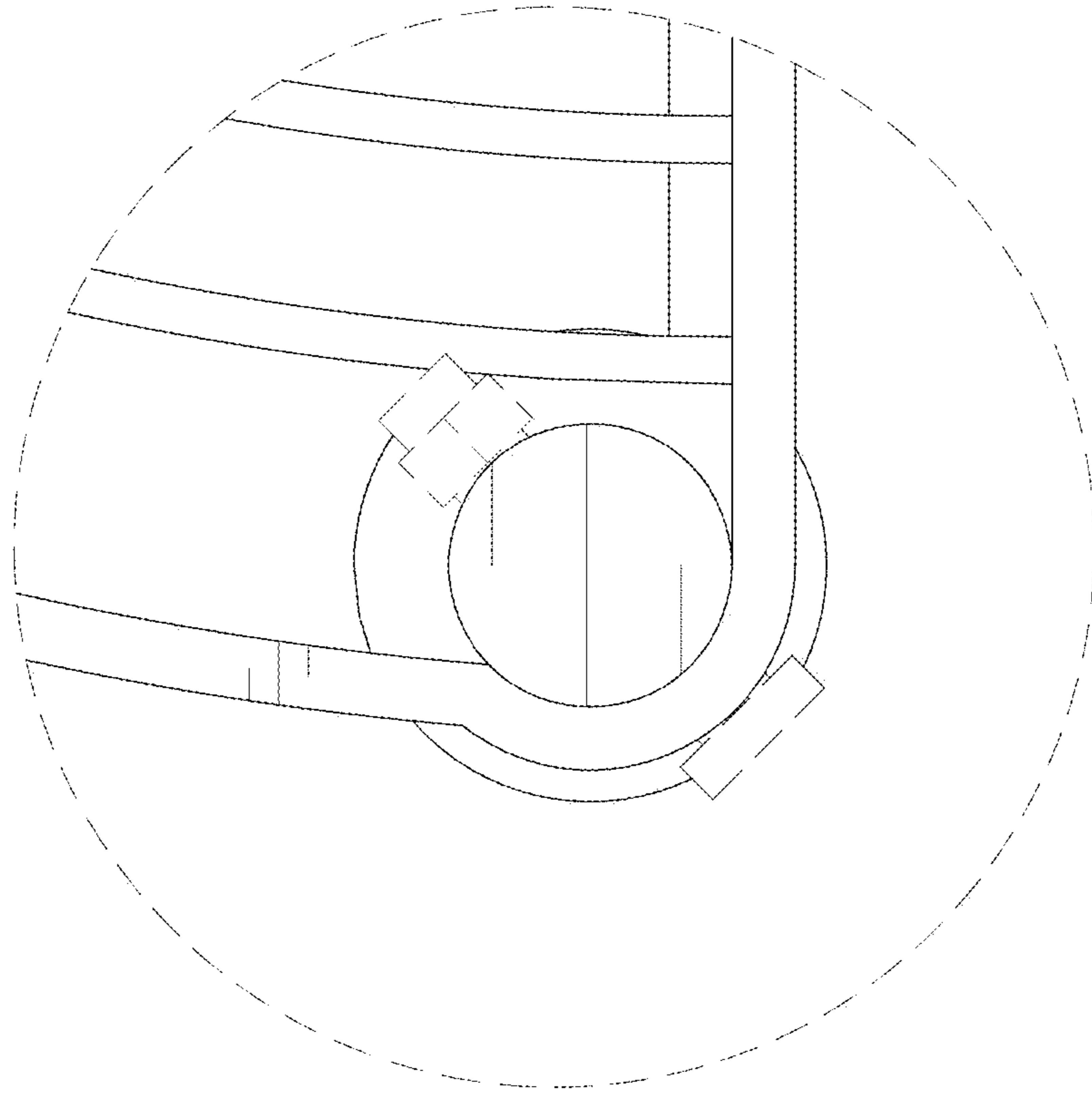


Fig.9