



US00D931662S

(12) **United States Design Patent** (10) **Patent No.:** **US D931,662 S**
Davis et al. (45) **Date of Patent:** **** Sep. 28, 2021**

(54) **CONSOLE**

FOREIGN PATENT DOCUMENTS

(71) Applicant: **WALKER EDISON FURNITURE COMPANY LLC**, Salt Lake City, UT (US)

CN 304163895 ‡ 9/2017
CN 304770575 8/2018

(Continued)

(72) Inventors: **Matthew Davis**, Millcreek, UT (US);
Brad Bonham, Draper, UT (US);
Richard Packer, Kaysville, UT (US);
Tiffany Duhadway, Salt Lake City, UT (US)

OTHER PUBLICATIONS

Gray Barn Wind Gap Sliding Barn Door TV Stand Console, overstock.com, review date with photo from Apr. 8, 2019 & Jul. 10, 2019, <https://www.overstock.com/Home-Garden/The-Gray-Barn-Wind-Gap-Sliding-Barn-Door-TV-Stand-Console/25490525/product.html> (Year:2019).*

(Continued)

(73) Assignee: **WALKER EDISON FURNITURE COMPANY LLC**, West Jordan, UT (US)

(**) Term: **15 Years**

Primary Examiner — Steven J Czyz

(74) *Attorney, Agent, or Firm* — Workman Nydegger

(21) Appl. No.: **29/756,763**

(22) Filed: **Oct. 30, 2020**

Related U.S. Application Data

(63) Continuation of application No. 29/698,940, filed on Jul. 22, 2019, now Pat. No. Des. 900,510.

(51) **LOC (13) Cl.** **06-04**

(52) **U.S. Cl.**

USPC **D6/657**

(58) **Field of Classification Search**

USPC D6/657, 659, 660, 661, 662, 662.1, 671
CPC . A47B 67/00; A47B 67/04; A47B 2220/0072;
A47B 2220/01; A47B 85/00; A47B
88/00; A47B 88/40

See application file for complete search history.

(56) **References Cited**

U.S. PATENT DOCUMENTS

245,925 A ‡ 8/1881 Kinsley A47J 37/06
126/14

309,799 A ‡ 12/1884 Poulson F24B 1/192
126/54

887,168 A 5/1908 Will

(Continued)

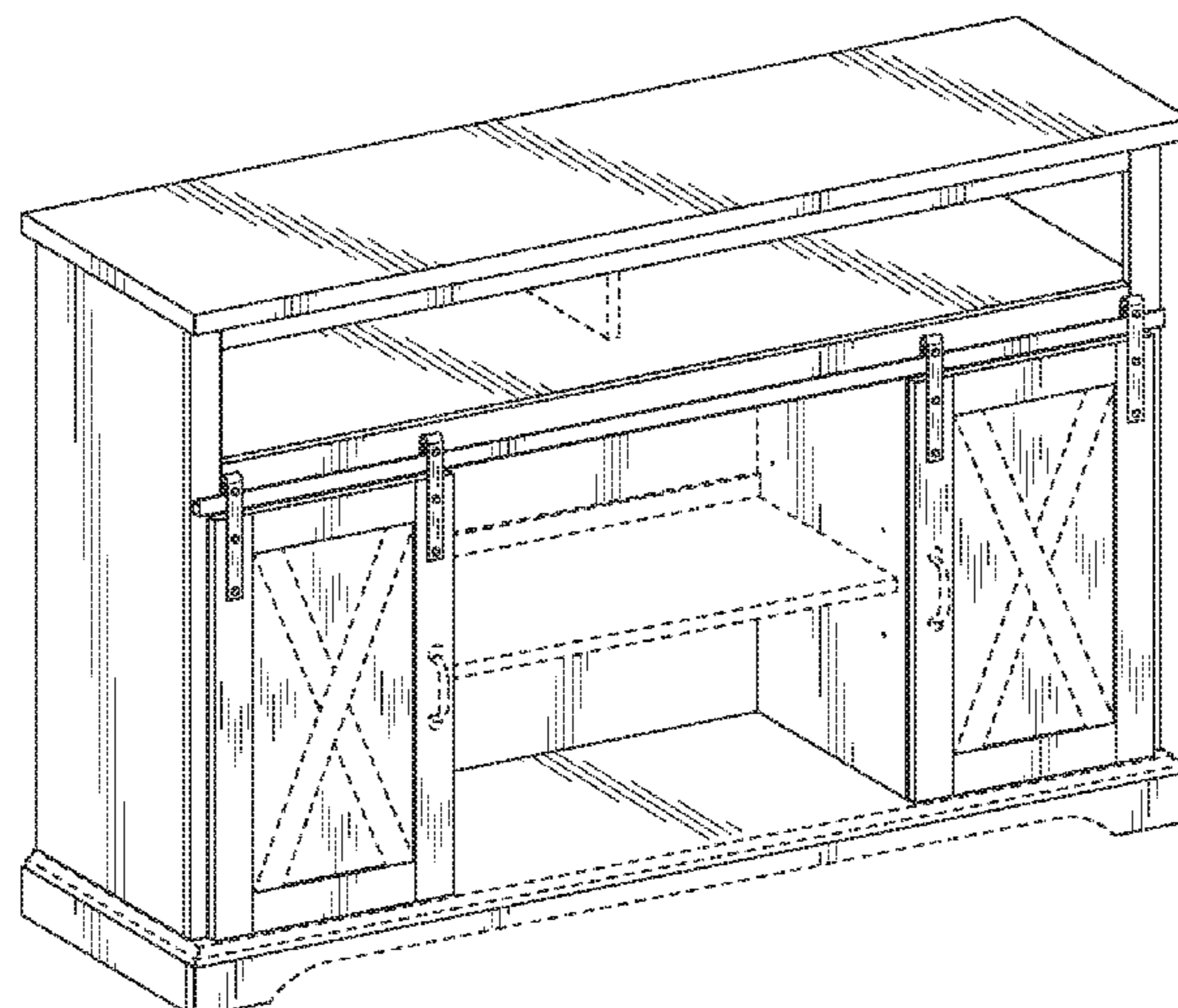
(57) **CLAIM**

The ornamental design for a console, as shown and described.

DESCRIPTION

FIG. 1 is a front perspective view of a console showing the new design;
FIG. 2 is a front elevation view thereof;
FIG. 3 is another front elevation view thereof, with the sliding doors slid to the center of the console;
FIG. 4 is a back elevation view thereof;
FIG. 5 is a top plan view thereof;
FIG. 6 is a bottom plan view thereof;
FIG. 7 is a left elevation view thereof; and,
FIG. 8 is a right elevation view thereof.
The broken lines in the drawings are for the purpose of illustrating portions of the article that form no part of the claimed design.

1 Claim, 4 Drawing Sheets



(56)		References Cited			
U.S. PATENT DOCUMENTS					
1,097,697	A	5/1914	Weston	4,182,244	A † 1/1980 Hutchins, Jr. A47B 7/06 108/53
D47,441	S	6/1915	Ullin	D259,316	S 5/1981 Offredi
D47,600	S †	7/1915	Koch D23/39	D262,847	S † 2/1982 Keller D6/671
D61,344	S †	8/1922	Mayer D14/16	D267,532	S 1/1983 Platner
1,475,088	A †	11/1923	Specht et al. F24C 7/004 392/30	D269,754	S † 7/1983 Kates D6/675
D64,390	S †	4/1924	Arons D6/671	D270,858	S † 10/1983 McInnes D23/34
D64,922	S †	6/1924	Naill D14/17	D273,829	S 5/1984 Desnoyers
D66,028	S †	11/1924	Lyons et al. D14/16	D274,152	S 6/1984 Fleming
D66,889	S †	3/1925	Schleicher D23/39	D281,901	S † 12/1985 Demrick D23/40
1,538,393	A	5/1925	Martin	D283,182	S 4/1986 Marshall
D68,065	S †	8/1925	Schleicher D23/39	D283,343	S † 4/1986 Haythornthwaite D23/34
D68,659	S †	11/1925	Smith D14/16	D289,474	S † 4/1987 Underwood D6/642
D78,127	S †	3/1929	Schleicher et al. D23/39	D293,177	S 12/1987 Hamami
D103,250	S †	2/1937	Parrish D6/655	D293,521	S 1/1988 Handler
D120,370	S †	5/1940	Bach D6/657	4,793,667	A † 12/1988 Gilliom A47B 47/03 312/10
2,207,307	A †	7/1940	Teller F24C 15/18 126/41	D303,596	S † 9/1989 Goetz D6/675
D165,241	S	11/1951	Porter	D304,982	S † 12/1989 Bush D6/657
D166,077	S †	3/1952	Haas D23/34	D305,930	S † 2/1990 MacAleese D23/40
2,696,419	A †	12/1954	Wallance A47B 67/00 312/26	D306,106	S † 2/1990 Bush D6/661
D175,869	S †	10/1955	Trout et al. D23/28	D319,230	S † 8/1991 Sugiyama D14/13
2,743,720	A †	5/1956	Dollinger F24B 1/192 126/52	5,036,778	A † 8/1991 Briosi A47B 47/021 108/11
D182,832	S	5/1958	Lubberts	D319,743	S † 9/1991 Grey D6/657
D182,836	S †	5/1958	Lubberts et al. D6/657	D322,184	S 12/1991 Prevedello
2,850,346	A †	9/1958	Holderle A47F 3/005 312/14	D325,680	S † 4/1992 Kiiski D18/59
D186,115	S †	9/1959	Church D6/671	D327,735	S † 7/1992 Smith D23/34
2,918,176	A	12/1959	Bell	D328,341	S † 7/1992 Chiu D23/34
D187,232	S	2/1960	As	D329,693	S † 9/1992 Mills D23/34
D188,196	S †	6/1960	Lubberts et al. D6/671	D330,470	S 10/1992 Bennett
D188,197	S †	6/1960	Swarts et al. D6/671	D336,184	S † 6/1993 Borgen D6/661
3,039,621	A †	6/1962	Pilcher A47B 57/485 108/10	D336,392	S 6/1993 Whalen
D193,516	S †	9/1962	Deaton D6/657	D347,754	S † 6/1994 Mehlin D6/675
D195,726	S	7/1963	Harper	D348,576	S † 7/1994 Narramore D6/661
D196,451	S †	10/1963	McMullen D14/16	D348,726	S † 7/1994 Wilson D23/34
3,217,671	A †	11/1965	Walsh A47B 87/02 108/91	D353,960	S † 1/1995 Barfield D6/661
3,272,582	A †	9/1966	Mack A47B 7/0008 312/26	5,409,122	A † 4/1995 Lazarus A47B 7/021 108/14
3,352,615	A †	11/1967	Sandin A47B 87/008 312/11	5,452,812	A † 9/1995 Niequist A47B 47/021 108/10
3,354,878	A †	11/1967	Edmond F24C 1/16 126/27	D363,176	S † 10/1995 Berry, Jr. D6/691
D220,704	S †	5/1971	Krammer D6/691	D363,841	S † 11/1995 Nourse D6/675
3,589,746	A †	6/1971	Inglis A47B 57/12 280/79	D364,055	S † 11/1995 Pakla D6/675
RE27,186	E †	10/1971	Ferdinand et al. A47B 57/44 108/14	D364,064	S † 11/1995 Lorenz D6/559
RE27,200	E †	10/1971	Ferdinand et al. F16B 7/105 211/19	5,463,966	A † 11/1995 Nilsson F16B 12/34 108/11
3,688,707	A	9/1972	Maurice	D365,472	S † 12/1995 Rehnberg D6/661
3,762,789	A †	10/1973	Robertson A47B 81/005 312/30	D366,110	S † 1/1996 Darr D23/40
3,766,863	A †	10/1973	Swick, Jr. A47B 47/021 108/18	D367,383	S † 2/1996 Hatrick-Smith 63/661
D230,446	S	2/1974	Price	D373,693	S † 9/1996 Elhage D30/10
D233,294	S †	10/1974	Goulder D6/675	5,628,256	A † 5/1997 Lazarus A47B 7/0083 108/11
D236,676	S †	9/1975	Urti D6/675	D384,227	S † 9/1997 Grosfillex D6/675
D236,781	S	9/1975	Cowley	D385,431	S † 10/1997 Lee D6/657
D238,277	S †	12/1975	Ferdinand et al. A47B 7/06 108/53	5,695,081	A † 12/1997 Alkalay A47B 47/04 108/14
D239,352	S †	3/1976	Petrick D6/675	D389,343	S † 1/1998 Van Der Merwe D6/675
D240,381	S	7/1976	Tazaki	D390,936	S † 2/1998 French D23/34
D244,112	S †	4/1977	Friedman D6/657	5,752,500	A † 5/1998 Jamieson F24B 1/1808 126/30
D244,113	S	4/1977	Friedman	5,782,231	A † 7/1998 Wade F24B 1/1808 126/20
D248,429	S †	7/1978	Inohara D2/908	D398,788	S † 9/1998 Schubert D34/20
D249,429	S †	9/1978	Robinson D6/671	5,833,084	A † 11/1998 Chang A47B 55/02 211/18
D249,860	S †	10/1978	Ungaro D6/657	D403,529	S † 1/1999 De Blaay D6/657
				D404,937	S † 2/1999 Tarlow D6/675
				D407,577	S † 4/1999 Dorst D23/34
				D408,174	S † 4/1999 Aspenwall D6/552
				D420,114	S † 2/2000 Johnson D11/12
				D423,810	S † 5/2000 Dorst D6/664
				D423,813	S * 5/2000 Paus D6/657
				D425,330	S † 5/2000 O'Hare D6/671
				6,074,029	A † 6/2000 Snoke A47B 7/02 312/24
				D428,609	S † 7/2000 Williams D14/12
				D430,431	S † 9/2000 Walter D6/675

(56)

References Cited

U.S. PATENT DOCUMENTS

2014/0265807 A1 † 9/2014 Kendall F25D 25/021
312/40
2014/0318529 A1 † 10/2014 Nielsen F24B 1/198
126/54
2015/0182021 A1 * 7/2015 Chang A47B 81/06
312/7.2
2015/0323190 A1 † 11/2015 Stein A47J 37/0658
126/19
2016/0018112 A1 1/2016 Phillips
2016/0100698 A1 4/2016 Clark
2016/0157605 A1 6/2016 Grad
2016/0209102 A1 7/2016 Vulava
2016/0223213 A1 8/2016 Grohova
2016/0256032 A1 9/2016 Bhajak
2017/0089587 A1 * 3/2017 Nemes F24C 7/004
2017/0211814 A1 7/2017 Bourne
2018/0064246 A1 3/2018 Kassanoff

FOREIGN PATENT DOCUMENTS

CN 305138614 † 5/2019
EM 003068485-0003 4/2016
EM 003254200-0003 6/2016
EM 005646783-0006 9/2018
GB 1162368 † 8/1969
GB 4001474 † 5/2007
GB 4032905 † 11/2013
GB 4034171 † 7/2014
GB 6041896 8/2018
WO WOD076242-061 † 5/2011

OTHER PUBLICATIONS

Media Console with Electric Fireplace, image post date Dec. 6, 2015, site visited Aug. 8, 2016, (online), <<http://www.overstock.com/Home-Garden/Media-Console-with-Electric-Fireplace-in-Barnwood/10309735/product.html?reset=05953330-aaal-4640-a796-f225c2f8176d&refccid=MRISGBB2MZGZXYKK4EFV125H6Q&recalg=809,828,512&recidx=1#reviews>>.
electric fireplace, image post date May 26, 2014, site visited Aug. 8, 2016, (online), <<https://www.tineye.com/search/3c3d0cdfb7030b3079ebefa0774a5b4e94120332/?pluginver>>.
electric fireplace, image post date May 26, 2014, site visited Aug. 8, 2016, (online), <<https://www.tineye.com/search/3c3d0cbfb7030b3079ebefa0774a5b4e94120332/?pluginver>>.
60" Victor TV Console; <https://www.pinterest.com/pin/33636328453466237/>; Retrieved on Apr. 11, 2018.
60" Jacklyn TV Console; <https://www.pinterest.com/pin/33636328451628908/>; Retrieved on Apr. 16, 2018.
48" Radcliff Buffet; <https://www.walkerredison.com/buffet-52-console-table.html>; Retrieved on Jul. 19, 2018.
70" Tiered Top Open Shelf Fireplace; <https://www.wayfair.com/furniture/pdp/real-flame/calie-tv-stand-for-tvs-up-to-48-inches-with-electric-fireplace-included-jfp1647.htm>; Retrieved on Jan. 10, 2018.
58" Lincoln Console; <https://www.pinterest.com/pin/312366924137895643/>; Retrieved on Aug. 9, 2018.
58" Lincoln Console, https://www.miniforms.com/en/products/4_buffet-and-cabinet/105_edge/#f; Retrieved on Aug. 9, 2018.
60" Tiered Top Console; <https://www.wayfair.com/furniture/pdp/real-flame-calie-tv-stand-for-tvs-up-to-48-inches-with-electric-fireplace-included-fjp1647.html>; Retrieved on Dec. 12, 2019.
Office Action for U.S. Appl. No. 29/698,942, dated Aug. 31, 2020.
Office Action for U.S. Appl. No. 29/677,761, dated Sep. 1, 2020.
White Elize TV Stand With Fireplace Insert, Owens Home Furnishings, site visited Aug. 25, 2020, available online at <https://www.owenfurniture.com/eliza-white-barn-door-tv-stand-70/> (Year: 2020).
Notice of Allowance for U.S. Appl. No. 29/699,063, dated Sep. 2, 2020.

Notice of Allowance for U.S. Appl. No. 29/699,071, dated Sep. 4, 2020.
Foundry Select Arsenault Coffee Table, www.wayfair.ca [online], Published on or before Aug. 11, 2020, [retrieved on Aug. 11, 2020], Retrieved from the Internet: <URL: <https://www.wayfair.ca/furniture/pdp/foundry-select-arsenault-coffee-table-c003159996.html>>(Year: 2020).
Foundry Arsenault End Table, www.wayfair.com [online], Published on or before Aug. 15, 2020, [retrieved on Aug. 15, 2020], Retrieved from the Internet: <URL: <https://www.wayfair.ca/furniture/pdp/foundry-select-arsenault-4-legs-end-table-c003160002.html?piid=1664365403>> (Year: 2020).
Office Action for U.S. Appl. No. 29/698,947, dated Aug. 31, 2020.
Office Action for U.S. Appl. No. 29/698,928, dated Aug. 28, 2020.
Office Action for U.S. Appl. No. 29/677,755, dated Aug. 27, 2020.
Restriction Requirement for U.S. Appl. No. 29/698,919, dated Aug. 27, 2020.
Notice of Allowance for U.S. Appl. No. 29/698,942, dated Sep. 15, 2020.
Notice of Allowance for U.S. Appl. No. 29/699,073, dated Sep. 16, 2020.
Office Action for U.S. Appl. No. 29/698,924, dated Sep. 16, 2020.
Notice of Allowance for U.S. Appl. No. 29/677,723, dated Sep. 15, 2020.
Notice of Allowance for U.S. Appl. No. 29/699,066, dated Sep. 11, 2020.
Notice of Allowance for U.S. Appl. No. 29/677,738, dated Sep. 15, 2020.
Rustic Farmhouse Corner TV Stand With Barn Doors, Little Rustic Shop, site visited Aug. 24, 2020, available online at <https://littlerusticshop.com/collections/frontpage/products/rustic-farmhouse-corner-tv-stand-with-barn-doors> (Year: 2020).
U.S. Appl. No. 29/611,962, filed Jul. 27, 2021, Davis.
U.S. Appl. No. 29/611,963, filed Jul. 27, 2017, Davis.
U.S. Appl. No. 29/634,946, filed Jan. 25, 2018, Davis.
U.S. Appl. No. 29/634,903, filed Jan. 25, 2018, Davis.
U.S. Appl. No. 29/654,941, filed Jun. 28, 2018, Davis.
U.S. Appl. No. 29/654,935, filed Jun. 28, 2018, Davis.
U.S. Appl. No. 29/654,950, filed Jun. 28, 2018, Davis.
U.S. Appl. No. 29/720,093, filed Jan. 9, 2020, Davis.
U.S. Appl. No. 29/656,499, filed Jul. 12, 2018, Davis.
U.S. Appl. No. 29/656,479, filed Jul. 12, 2018, Davis.
U.S. Appl. No. 29/656,485, filed Jul. 12, 2018, Davis.
U.S. Appl. No. 29/656,486, filed Jul. 12, 2018, Davis.
U.S. Appl. No. 29/656,497, filed Jul. 12, 2018, Davis.
U.S. Appl. No. 29/654,930, filed Jun. 28, 2018, Davis.
U.S. Appl. No. 29/654,936, filed Jun. 28, 2018, Davis.
U.S. Appl. No. 29/654,952, filed Jun. 28, 2018, Davis.
U.S. Appl. No. 29/656,492, filed Jul. 12, 2018, Davis.
U.S. Appl. No. 29/565,489, filed Jul. 12, 2018, Davis.
U.S. Appl. No. 29/634,889, filed Jan. 25, 2018, Davis.
U.S. Appl. No. 29/677,722, filed Jan. 23, 2019, Davis.
U.S. Appl. No. 29/677,723, filed Jan. 23, 2019, Davis.
U.S. Appl. No. 29/677,724, filed Jan. 23, 2019, Davis.
U.S. Appl. No. 29/677,738, filed Jan. 23, 2019, Davis.
U.S. Appl. No. 29/677,755, filed Jan. 23, 2019, Davis.
U.S. Appl. No. 29/677,761, filed Jan. 23, 2019, Davis.
U.S. Appl. No. 29/698,919, filed Jul. 22, 2019, Davis.
U.S. Appl. No. 29/773,569, filed Mar. 10, 2021, Davis.
U.S. Appl. No. 29/756,291, filed Oct. 27, 2020, Davis.
U.S. Appl. No. 29/756,302, filed Oct. 27, 2020, Davis.
U.S. Appl. No. 29/756,303, filed Oct. 27, 2020, Davis.
U.S. Appl. No. 29/756,305, filed Oct. 27, 2020, Davis.
U.S. Appl. No. 29/698,924, filed Jul. 22, 2019, Davis.
U.S. Appl. No. 29/698,928, filed Jul. 22, 2019, Davis.
U.S. Appl. No. 29/698,940, filed Jul. 22, 2019, Davis.
U.S. Appl. No. 29/699,063, filed Jul. 23, 2019, Davis.
U.S. Appl. No. 29/699,066, filed Jul. 23, 2019, Davis.
U.S. Appl. No. 29/714,849, filed Nov. 26, 2019, Davis.
U.S. Appl. No. 29/699,701, filed Jul. 23, 2019, Davis.
U.S. Appl. No. 29/699,073, filed Jul. 23, 2019, Davis.
U.S. Appl. No. 29/699,078, filed Jul. 23, 2019, Davis.
U.S. Appl. No. 29/698,942, filed Jul. 22, 2019, Davis.

(56)

References Cited

OTHER PUBLICATIONS

&kw=&gclid=EAIalQobChMlpsnoq_ml3wIVGNVCh348gtDEAkYliABEgLP7fD_BwE Retrieved on May 15, 2019.

Hampton Weathered Taupe Gray Coffee Table; https://www.homedepot.com/p/International-Concepts-Hampton-Weathered-Taupe-Gray-Coffee-Table-OT09-70C/302946359?MERCH-REC=-PIPHorizontal2_rr-_204737265-_302946359_-N; Retrieved on May 15, 2019.

Convenience Concepts Oxford Rectangle Coffee Table https://www.hayneedle.com/product/convenience-concepts-oxford-rectangle-coffee-table.cfm?source=pla&kwid=OccasionalTables%20news&tid=CONV338-5&adtype=pla&kw=&gclid=EAIalQobChMlhuzv9ml3wIVWx-tBh1rUA1tEAKYHyABEgJ2hPD_BwE; Retrieved on May 15, 2019.

Belham Living Jamestown Rustic Coffee Table with Unique Driftwood Finish <https://www.hayneedle.com/product/jamestown-rustic-coffee-table.cfm>; Retrieved on May 15, 2019.

Pinterest; www.pinterest.com/pin/336328451393621/; Retrieved on Jun. 12, 2019.

Target Winham TV Stand—Threshold; www.target.com/p/windham-tv-stand-threshold-153/7A-54301349; Retrieved on Jun. 12, 2019.

Pinterest DIY Farmhouse Coffee Table Cabinet; www.pinterest.com/pin/33636328450994833/ Retrieved on Jun. 12, 2019.

Image seen on Pinterest DIY Project; Pinterest.com; Seen approximately Aug. 1, 2017.

World Market—Metal Bexley Bar; www.worldmarket.com/product/metal+bexley+bar.do?pp=1; Retrieved on Sep. 25, 2019.

Overstock—Nova Domus Soria Modern Walnut TV Stand; https://www.overstock.com/Home-Garden/Nova-Domus-Soria-Modern-Walnut-TV-Stand/10359356/product.html?utm_campaign=pin_button&utm_medium=Social&utm_source=Pinterest Retrieved on Jun. 12, 2019.

Notice of Allowance for U.S. Appl. No. 29/654,936 dated Jun. 19, 2019.

Notice of Allowance for U.S. Appl. No. 29/656,479 dated Jun. 27, 2019.

Restriction Requirement for U.S. Appl. No. 29/654,950 dated Sep. 25, 2019.

Office Action for U.S. Appl. No. 29/656,489 dated Sep. 25, 2019.

Office Action for U.S. Appl. No. 29/656,497 dated Sep. 25, 2019.

Office Action for U.S. Appl. No. 29/656,499, dated Sep. 26, 2019.

Notice of Allowance for U.S. Appl. No. 29/656,486 dated Sep. 27, 2019.

Notice of Allowance for U.S. Appl. No. 29/656,485 dated Oct. 2, 2019.

Notice of Allowance for U.S. Appl. No. 29/656,479 dated Oct. 21, 2019.

Office Action for U.S. Appl. No. 29/654,952 dated Nov. 15, 2019.

Notice of Allowance for U.S. Appl. No. 29/656,492 dated Nov. 18, 2019.

42 in. Metal and Wood Desk with Glass and Shelf Grey Wash by Walker Edison Furniture Company—Home Depot <https://www.homedepot.com/p/Walker-Edison-Furniture-Company-42-in-Metal-and-Wood-Desk-with-Glass-and-Shelf-Grey-Wash-HDM42JERGW/305309102> retrieved from the internet on Sep. 9, 2019.

Dark Walnut Wood and Glass Coffee Table by Walker Edison Furniture Company - Home Depot <https://www.homedepot.com/p/Walker-Edison-Furniture-Company-Dark-Walnut-Wood-and-Glass-Coffee-Table-HDF42JMGLDW/305308482> retrieved from the internet on Nov. 6, 2019.

“Baum TV Stand for TVs upto 58 inches” Wayfair. (Accessed Nov. 14, 2019).

“Dark Walnut 70" TV Stand” Pier1. (Accessed Nov. 14, 2019).

“Seren TV Stand for TVs up to 50 inches” Wayfair. (Accessed Nov. 14, 2019).

“Shreffler TV Stand for TVs upto 78 inches” Wayfair. (Accessed Nov. 14, 2019).

Office Action for U.S. Appl. No. 29/634,946 dated Dec. 12, 2019.

Notice of Allowance for U.S. Appl. No. 29/656,485 dated Dec. 18, 2019.

Notice of Allowance for U.S. Appl. No. 29/654,950 dated Dec. 27, 2019.

Electric Fireplaces Direct.com. <https://www.electricfireplacesdirect.com/products-accessories/tv-media-consoles/shelby-electric-fireplace-media-console-in-white-c3p18c9-2030w.html>. “Shelby Electric Fireplace Media Console in White”. Date unknown: Viewed Dec. 2019 (Year: 2019).

Pikove. <https://pikove.com/media/509962357792326443>. “Home Decor”. Feb. 2017 (Year: 2017).

Luno. <https://iamluno.com/product/kc27-record-console-new/>. “KC27 Hifi Record Console”. Date unknown: Viewed Dec. 2019 (Year: 2019).

Notice of Allowance for U.S. Appl. No. 29/656,499 dated Jan. 23, 2020.

Notice of Allowance for U.S. Appl. No. 29/656,497 dated Jan. 23, 2020.

Notice of Allowance for U.S. Appl. No. 29/656,489 dated Jan. 24, 2020.

Walker Edison Buffet 52' Console Table; <https://www.walkerredison.com/buffet-52-console-table.html> Retrieved on Jul. 19, 2018.

Notice of Allowance for U.S. Appl. No. 29/654,952 dated Feb. 12, 2020.

Restriction Requirement for U.S. Appl. No. 29/714,849 dated Feb. 25, 2020.

Notice of Allowance for U.S. Appl. No. 29/714,849 dated Apr. 6, 2020.

Notice of Allowance for U.S. Appl. No. 29/634,946 dated Apr. 8, 2020.

Notice of Allowance for U.S. Appl. No. 29/654,952 dated Apr. 21, 2020.

Pinterest; Cabinet Furniture; wood veneer sideboard with doors—Edge Collection by Miniforms <https://www.pinterest.com/pin/312366924137895643>; Retrieved on Aug. 9, 2018.

Edge Buffet and Cabinet; Miniforms.com; https://www.miniforms.com/en/products/4_buffet-and-cabinet/105_edge/#f; Retrieved on Aug. 9, 2018.

Pinterest; Media Furniture Search; <https://www.pinterest.com/pin/33636328451628908/>; Retrieved on Apr. 16, 2018.

Pinterest; Furniture Search; <https://www.pinterest.com/pin/33636328453466237/>; Retrieved on Apr. 11, 2018.

Office Action for U.S. Appl. No. 29/677,738 dated Jun. 26, 2020.

Office Action for U.S. Appl. No. 29/677,723 dated Jun. 26, 2020.

“Walker Edison—W6ONOR2D Assembly Instructions.” Found online Jun. 19, 2020 at www.walkerredison.com. Page dated Apr. 23, 2018. Retrieved from URL <https://www.walkerredison.com/uploads/5/8/2/2/58227457/ai-w60nor2d-0/oC2%AE%version%20042318-e.pdf> (Year: 2018).

“The Urban Port Mid Century Modern Acacia Wood TV Unit.” Found online Jun. 19, 2020 at www.amazon.com. Product reviewed Jun. 28, 2018. Retrieved from URL: https://www.amazon.com/dp/B07P6QPSYJ/ref=sbl_dpx_B07LG44BN6_0?th=1 (Year: 2018).

“Simpli Home Draper Solid Wood Universal Low TV Media Stand.” Found online Jun. 19, 2020 at www.amazon.com. Product reviewed Sep. 26, 2016. Retrieved from URL https://www.amazon.com/dp/B01AACK5FM/ref=sbl_dpx_B082WLRSMS_0?th=1 (Year: 2016).

“Iwell Mid-Century Modern TV Stand.” Found online Jun. 20, 2020 at www.amazon.com. Product first available May 7, 2020. Retrieved from URL: <https://tinyurl.com/y9okn5lq> (Year: 2020).

“Tangkula Wooden TV Stand.” Found online Jun. 20, 2020 at www.amazon.com. Product first available Jan. 13, 2020. Retrieved from URL: <https://tinyurl.com/y9h9hwwc> (Year: 2020).

“Langley Street Silvia 54-inch TV Stand.” Found online Jun. 20, 2020 at www.amazon.com. Product first available Aug. 30, 2015. Retrieved from URL: https://www.amazon.com/dp/B07BMM7PZ6/ref=sbl_dpx_B01255EZVW_0 (Year: 2015).

“Walker Edison—W70JACSD Assembly Instructions.” Found online Jun. 19, 2020 at www.walkerredison.com. Page dated Jul. 9, 2018. Retrieved from URL <https://www.walkerredison.com/uploads/5/8/2/2/58227457/ai-w70jacsd-%C2%AE%version%20071118-n.pdf> (Year: 2018).

“South Shore Exhibit TV Stand.” Found online Jun. 19, 2020 at www.amazon.com. Product reviewed Jan. 12, 2017. Retrieved

(56)

References Cited

OTHER PUBLICATIONS

- from URL: https://www.amazon.com/dp/B01D9MW9FE/ref=sbl_dpx_B01AACK5FM_0?th=1 (Year: 2017).
- “Sauder Coral Cape Contemporary Wood 70-inch TV Stand.” Found online Jun. 19, 2020 at www.amazon.com. Product first available Jan. 28, 2020. Retrieved from URL https://www.amazon.com/dp/B085VKFXJF/ref=sbl_dpx_B07LG44BN6_0 (Year: 2020).
- “CCT Global Sourcing Inc. Pearson Solid Hardwood 60-inch TV Stand.” Found online Jun. 19, 2020 at www.amazon.com. Product first available Jan. 20, 2020. Retrieved from URL https://www.amazon.com/dp/BO842JT1Z6/ref=sbl_dpx_B07LG44BN6_0 (Year: 2020).
- Notice of Allowance for U.S. Appl. No. 29/677,722 dated Jul. 1, 2020.
- “Walker Edison—W58BMHPAS Assembly Instructions.” Found online Jun. 19, 2020 at www.walkerredison.com. Page dated Apr. 23, 2018. Retrieved from URL https://www.walkerredison.com/uploads/5/8/2/2/58227457/ai-w58bnnhpas-%C2%AE_version_042318_-e.pdf (Year: 2018).
- “Mid Century Modern TV Stand.” Found online Jun. 20, 2020 at www.amazon.com. Product first available Jun. 16, 2020. Retrieved from URL: <https://tinyurl.com/y7qolcv7> (Year: 2020).
- “Pemberly Row Modern Mid Century Entertainment TV Stand.” Found online Jun. 20, 2020 at www.amazon.com. Product first available May 25, 2018. Retrieved from URL: <https://tinyurl.com/y9affau7> (Year: 2018).
- Notice of Allowance for U.S. Appl. No. 29/677,724 dated Jul. 7, 2020.
- “Walker Edison—W60S014D Assembly Instructions.” Found online Jun. 19, 2020 at www.walkerredison.com. Page dated May 8, 2018. Retrieved from URL https://www.walkerredison.com/uploads/5/8/2/2/58227457/ai-w60soi4d-%C2%AE_version_050818_n.pdf (Year: 2018).
- “Sauder Boulevard Cafe Credenza.” Found online Jun. 19, 2020 at www.amazon.com. Product first available Aug. 23, 2018. Retrieved from URL: https://www.amazon.com/Sauder-420649-Boulevard-Credenza-Vintage/dp/B07GSJ4MG1/ref=psdc_14109851_t1_BQ7G62YLVLT (Year: 2018).
- “Martin Furniture Eclectic Harmon Four Door Console.” Found online Jun. 19, 2020 at www.amazon.com. Product first available Oct. 30, 2017. Retrieved from URL https://www.amazon.com/dp/B076VVVYRPR/ref=sbl_dpx_B07G62YLVLT_0 (Year: 2017).
- “Industrial Iron Mesh Sideboard Media Cabinet.” Found online Jun. 19, 2020 at www.amazon.com. Product first available Jul. 20, 2015. Retrieved from URL: https://www.amazon.com/dp/B01255EZVW/ref=sbl_dpx_B07G62YLVLT_0 (Year: 2015).
- Safavieh Furniture <http://web.archive.org/web/20130301232929/http://safavieh.com/furniture/categories/bookcases?pg=all> Retrieved online on Aug. 5, 2020.
- Safavieh Furniture; <http://web.archive.org/web/20140713025018/http://safavieh.com/furniture/american-home/bookcases/amh6525a>; Retrieved online on Aug. 5, 2020.
- Amarah Mid Century Modern Wood TV Stand by Christopher Knight Home <https://web.archive.org/web/20181102021725/https://www.overstock.ca/Home-Garden/Amarah-Mid-century-Modern-Wood-TV-Stand-by-Christopher-Knight-Home/18108793/product.html>; Retrieved online on Aug. 5, 2020.
- Gemini Wood Contemporary TV Stand; <https://web.archive.org/web/20160423180238/https://www.target.com/p/gemini-wood-contemporary-tv-stand-walnut-white-66-baxton-studio/-/A-50256043>; Retrieved online on Aug. 5, 2020.
- Article SENO walnut media unit; <http://web.archive.org/web/20170610131805/https://www.article.com/product/1635/seno-walnut-63-media-unit>; Retrieved online on Aug. 5, 2020.
- Instagram post—Article Seno walnut media unit; <https://www.instagram.com/p/BhcCAZIH8-q/> Retrieved on Aug. 5, 2020.
- Convenience Concepts Designs2Go Oslo TV Stand; <https://www.amazon.ca/Convenience-Concepts-Designs2Go-Stand-White/dp/B011RACHQ6/?th=1>; Retrieved online on Aug. 5, 2020.
- Houzz_Rowan_Mid-Century Modern Two-Toned TV Stand; <https://www.houzz.com/products/rowan-mid-century-modern-two-toned-tv-stand-white-oak-prvw-vr~74489612>; Retrieved online on Aug. 21, 2020.
- Focus On Furniture, Lowline TV Units; <https://web.archive.org/web/20170218071314/https://www.focusonfurniture.com.au/living-room/lowline-tv-units/>; Retrieved on Aug. 21, 2020.
- Office Action for U.S. Appl. No. 29/654,930, dated on Aug. 21, 2020.
- Calie TV Stand for TVs up to 48 inches with Electric Fireplace Included; Wayfair.com; <https://www.wayfair.com/furniture/pdp/real-flame-calie-tv-stand-for-tvs-up-to-48-inches-with-electric-fireplace-included-jfp1647.html>; Retrieved on Jan. 10, 2018.
- Notice of Allowance for U.S. Appl. No. 29/698,940, dated Aug. 28, 2020.
- Corrected Notice of Allowance for U.S. Appl. No. 29/698,942, dated Sep. 23, 2020.
- Notice of Allowance for U.S. Appl. No. 29/677,723, dated Sep. 29, 2020.
- Notice of Allowance for U.S. Appl. No. 29/677,738, dated Sep. 29, 2020.
- Notice of Allowance for U.S. Appl. No. 29/720,732; dated Sep. 29, 2020.
- Notice of Allowance for U.S. Appl. No. 29/721,435, dated Sep. 29, 2020.
- Notice of Allowance for 29/677,724, dated Sep. 30, 2020.
- Notice of Allowance for U.S. Appl. No. 29/699,071, dated Sep. 30, 2020.
- Notice of Allowance for U.S. Appl. No. 29/720,923, dated Sep. 30, 2020.
- Office Action for U.S. Appl. No. 29/699,078, dated Oct. 6, 2020.
- “WE Furniture AZ40SWICTWMDC Coffee Table.” Found online Sep. 30, 2020 at www.amazon.com. Product first available Jan. 23, 2019 Retrieved from URL: https://www.amazon.com/-/es/Furniture-AZ40SWICTWMDC-centro-Madera-Vidrio/dp/B07N282396/ref=psdc_3733631_J2_B07CYML1LF (Year 2019).
- “Vasagle Glatal Glass Coffee Table.” Found online Sep. 30, 2020 at www.amazon.com. Product first available May 1, 2020. Retrieved from URL: <https://tinyurl.com/yxvuv2rf> (Year: 2020).
- “Henn and Hart Coffe Table.” Found online Sep. 30, 2020 at www.amazon.com. Product first available Jan. 20, 2019. Retrieved from URL: https://www.amazon.com/7es/Henn-Hart-talla-%C3%BA-nica-color/dp/B07N8RRPT5/ref=psdc_3733631_t5_B07CYML1Lf (Year: 2019).
- Notice of Allowance for 29/677,724, dated Oct. 27, 2020.
- Notice of Allowance for U.S. Appl. No. 29/720,923, dated Oct. 28, 2020.
- Lorraine TV Stand for TVs up to 60" Retrieved online Nov. 3, 2020; from URL: <https://www.wayfair.com/furniture/pdp/three-posts-lorraine-tv-stand-for-tvs-up-to-60-w001527559.html>.
- Notice of Allowance for U.S. Appl. No. 29/698,942, dated Nov. 3, 2020.
- Notice of Allowance for U.S. Appl. No. 29/699,073, dated Nov. 3, 2020.
- Notice of Allowance for U.S. Appl. No. 29/721,435, dated Nov. 3, 2020.
- “Alera Angled Doors Oak Wood Black Sideboard” <https://www.decorpad.com/bookmark.htm?bookmarkId=69182> (Retrieved Nov. 12, 2020).
- “Linus Base Cabinet w/Double Angled Doors by HABA, 460499*” <https://gresscoltd.com/linus-base-cabinet-w-double-angled-doors-by-haba-460499.html> (Retrieved Nov. 12, 2020).
- “Solid Acacia Wood Canyon Ridge Three Drawer Media TV Console ith Metal Base” <https://www.hootjudkins.com/solid-acacia-wood-canyon-ridge-three-drawer-media-tv-console-with-metal-base> (Retrieved Nov. 12, 2020).
- Office Action for U.S. Appl. No. 29/756,291, dated Nov. 23, 2020.
- Barn Door Console, @sarahashleyallen on Instagram, Dec. 26, 2016, site visited Nov. 18, 2020, available online at <https://www.instagram.com/p/BOFH8jqgzjK/?taken-by=sarahashleyallen> (Year: 2016).

(56) **References Cited**

OTHER PUBLICATIONS

DIY Barn Door Hardware, Ana White, Oct. 17, 2018, site visited Nov. 18, 2020, available online at <https://www.ana-white.com/woodworking-projects/diy-barn-door-hardware-washers> (Year: 2018).

Office Action for U.S. Appl. No. 29/698,919, dated Nov. 24, 2020.

DIY Sliding Barn Door Console, Jaime Costiglio, Jan. 1, 2019, site visited Nov. 18, 2020, available online at <https://jaimecostiglio.com/diy-sliding-barn-door-console-free-plans/> (Year: 2019).

Notice of Allowance for U.S. Appl. No. 29/654,930, dated Dec. 10, 2020.

Notice of Allowance for U.S. Appl. No. 29/698,947, dated Dec. 10, 2020.

Notice of Allowance for U.S. Appl. No. 29/698,928, dated Dec. 11, 2020.

Notice of Allowance for U.S. Appl. No. 29/698,924, dated Dec. 18, 2020.

Notice of Allowance for U.S. Appl. No. 29/677,761, dated Dec. 22, 2020.

Notice of Allowance for U.S. Appl. No. 29/720,732; dated Jan. 25, 2021.

Notice of Allowance for U.S. Appl. No. 29/699,078, dated Jan. 28, 2021.

Studio 350 Wood Cabinet; retrieved on Mar. 11, 2021; <https://www.overstock.com/Home-Garden/Studio-350-Wood-Cabinet-30-inches-wide-34-inches-high/17357264/product.html>.

Amazon Brand—Rivet Mid-Century Modern Checkerboard Reclaimed Elm Buffet Sideboard Credenza Cabinet; retrieved on Mar. 11, 2021; https://www.amazon.com/Rivet-Mid-Century-Checkerboard-Reclaimed-Cabinet/dp/B075Z8628K/ref=h_np_a2a_sims_1?encoding=UTF8&pd_rd_i=B075Z8628K&pd_rd_r=a9f26748-f7ef-11e8-bd88-f19ea5af337e&pd_rd_w=LLe5w&pd_rd_wg=SDrAx&pf_rd_i=desktop-dp-sims&pf_rd_m=ATVPDKIKXODER&pf_rd_p=31fcaa4d-b746-4950-83b6-1e38b78bee56&pf_rd_r=9MFY1C4VSTB9H8PGVEGJ&pf_rd_s=desktop-dp-sims&pf_rd_t=40701&pvc=1&refRID=9MFY1C4VSTB9H8PGVEGJ.

Notice of Allowance for U.S. Appl. No. 29/720,093, dated Mar. 12, 2021.

Istopbedrooms. <https://www.1stopbedrooms.com/ramona-autumn-bronze-media-console-electric-fireplace-with-acrylic-ice-xhd-firebox>. “Ramona Autumn Bronze Media Console Electric Fireplace with Acrylic Ice Xhd Firebox”. Date Unknown: Viewed Feb. 2021 (Year: 2021).

Office Action for U.S. Appl. No. 29/756,291, dated on Mar. 18, 2021.

“Pemberly Row 32-inch Farmhouse Sliding Barn Door Wood Accent Chest.” Found online Mar. 4, 2021 at www.amazon.com. Product first available Dec. 28, 2018. Retrieved from URL: <https://www.amazon.com/Pemberly-Row-Sliding-Console-Barnwood/dp/B07MQGF51Y> (Year: 2018).

“Walker Edison Abbey Modern Farmhouse Sliding X Barn Door Accent Console.” Found online Mar. 4, 2021 at www.amazon.com. Customer question answered Apr. 15, 2019. Retrieved from URL <https://tinyurl.com/36keempk> (Year: 2019).

Notice of Allowance for U.S. Appl. No. 29/698,919; dated Mar. 30, 2021.

Bridgeport by Hopewood; Found online on Mar. 29, 2021 at <https://hubbingtons.com/product-category/bridgeport-by-hopewood/>.

Bridgeport Furniture; Found online on Mar. 29, 2021 at www.flemingtondepartmentstore.com/all/bridgeport/brand-collection.aspx.

Bridgeport 3-Door Server; Found online on Mar. 29, 2021; Found online at [https://www.belfortfurniture.com/\(X\(1\)\)/item/dining-bridgeport-3-door-server/307396660](https://www.belfortfurniture.com/(X(1))/item/dining-bridgeport-3-door-server/307396660).

Notice of Allowance for U.S. Appl. No. 29/743,416; dated Apr. 21, 2021.

Console, Item# W58SGRD Assembly Instructions; found online Jul. 2, 2020; retrieved on May 3, 2021, (online); https://www.overstock.com/downloads/pdf/1219684877_1dbe384b-588a-3260-a4d9-6d3bac52ba4a.pdf.

Renegar 2 Door Accent Cabinet; Wayfair.com; found online Apr. 21, 2021; retrieved May 3, 2021 (online); <https://www.wayfair.com/furniture/pdp/gracie-oaks-renegar-2-door-accent-cabinet-w001524010.html>.

Guadalupe TV Stand; Wayfair.com; found online Apr. 21, 2021; retrieved May 4, 2021 (online) <https://www.wayfair.com/furniture/pdp/guadalupe-tv-stand-for-tvs-up-to-65-w003233469.html?piid=848017954>.

Corsham TV Stand; Wayfair.com; found online Apr. 21, 2021; retrieved May 4, 2021 (online) <https://www.wayfair.com/furniture/pdp/rosalind-wheeler-corsham-tv-stand-for-tvs-up-to-65-w003211663.html>.

Everitt TV Stand; Wayfair.com; found online Apr. 21, 2021; retrieved May 4, 2021 (online); <https://www.wayfair.com/furniture/pdp/gracie-oaks-everitt-tv-stand-for-tvs-up-to-65-w001524186.html?piid=1788638279>.

Guadalupe TV Stand with Electric Fireplace; Wayfair.com; found online Apr. 21, 2021; retrieved May 4, 2021 (online); <https://www.wayfair.com/furniture/pdp/guadalupe-tv-stand-for-tvs-up-to-65-with-electric-fireplace-included-w003233344.html>.

Brianna TV Stand; Wayfair.com; found online Apr. 21, 2021; retrieved May 4, 2021 (online); <https://www.wayfair.com/furniture/pdp/coastal-farmhouse-brianna-tv-stand-for-tvs-up-to-80-w004028674.html>.

Fryar TV Stand; Wayfair.com; found online Apr. 21, 2021; retrieved May 4, 2021 (online); <https://www.wayfair.com/furniture/pdp/gracie-oaks-fryar-tv-stand-for-tvs-up-to-75-w001713808.html>.

Polegate TV Stand; Wayfair.com; found online Apr. 21, 2021; retrieved May 4, 2021 (online); <https://www.wayfair.com/furniture/pdp/three-posts-teen-polegate-tv-stand-for-tvs-up-to-70-w000171190.html>.

Brawley TV Stand; Wayfair.com; found online Apr. 21, 2021; retrieved May 4, 2021 (online); <https://www.wayfair.com/furniture/pdp/17-stories-brawley-tv-stand-for-tvs-up-to-65-w004231614.html>.

Lorraine TV Stand; Wayfair.com; found online Apr. 21, 2021; retrieved May 4, 2021 (online); <https://www.wayfair.com/furniture/pdp/three-posts-lorraine-tv-stand-for-tvs-up-to-60-w001527559.html>.

Skofte TV Stand; Wayfair.com; found online Apr. 21, 2021; retrieved May 4, 2021 (online); <https://www.wayfair.com/furniture/pdp/gracie-oaks-skofte-tv-stand-for-tvs-up-to-60-w001487399.html>.

Miah TV Stand; Wayfair.com; found online Apr. 21, 2021; retrieved May 4, 2021 (online); <https://www.wayfair.com/furniture/pdp/rosalind-wheeler-miah-tv-stand-for-tvs-up-to-60-w002831147.html>.

Grendel TV Stand; Wayfair.com; found online Apr. 21, 2021; retrieved May 4, 2021 (online); <https://www.wayfair.com/furniture/pdp/gracie-oaks-grendel-tv-stand-for-tvs-up-to-65-w003337326.html>.

Heger TV Stand; Wayfair.com; found online Apr. 21, 2021; retrieved May 4, 2021 (online); <https://www.wayfair.com/furniture/pdp/gracie-oaks-heger-tv-stand-for-tvs-up-to-65-w002101430.html>.

Erwine TV Stand; Wayfair.com; found online Apr. 21, 2021; retrieved May 4, 2021 (online); https://www.wayfair.com/furniture/pdp/gracie-oaks-erwine-tv-stand-for-tvs-up-to-65-w004339905.html?categoryid=1868409&placement=3&slot=4&sponsoredid=Oca938f17d_b89643b10f637f9b2b9c0dba95bcc09d09607add3721a8a0b5e2dc&_txid=1%2FcMxXF%2B1T41hnharBpMJA7o3D7o3D&isB2b=0&auctionId=f9be48b1-0bcd-4aaf-b285-dbb3ea880db5.

Sliding Barn Door Television Stand; Amazon.com; found online Apr. 21, 2021; retrieved May 4, 2021 (online); https://www.amazon.com/Home-Accent-Furnishings-Sliding-Television/dp/BO7DKX44QQ/ref=sr_1_6?dchild=1&keywords=sliding+barn+door+tv+stand&qid=1603301187&sr=8-6.

Farmhouse Sliding Barn Door TV Stand; Amazon.com; found online Apr. 21, 2021; retrieved May 4, 2021 (online); 2021 (online); https://www.amazon.com/Rainbow-SophiaSliding/dp/B081VWRSLLK?ref=sr_1_2?dchild=1&keywords=sliding+barn+door+tv+stand&qid=1603301187&sr=8-2.

GHQME Sliding Barn Door TV Stand; Amazon.com; found online Apr. 21, 2021 Yetrieved May 4, 2021 (online); <https://www.amazon.com/GHQME-Table7oEF7oB7C7o8CWood-Universal->

(56) References Cited

OTHER PUBLICATIONS

- Stand7oEF7oBC7o8CLiving-Entertainment/dp/B083BJR9YF/ref= sr_1_1_sspa?dchild=1&keywords=sliding+barn+door+tv-i-stand &qid=1603301187&sr=8-1 -spons&pssc=1 &spLa=ZW5jenlwdGVkUXVhbGlmaWVyPUEwVTAt1hNVDklVIVRJM VuY3J5cHRIZEikPUEwMjgXMjgwMVVETE5HRkdKROUyTC ZTbmNyeXBOZWRBZEikPUEwNzQ5NzU4M1BENOWyMFPm NUGxQSZ3aWRnZXRO YW1IPXNwX2FOZiZiY3Rpb249Y2xp Y2tSZWRpcmVjdCZkb05vdExVZONsaWNRpxRydWU=.
- Pamari Wrangler Sliding Barn Door TV Stand; Amazon.com; found online Apr. 21, 2021; retrieved May 4, 2021 (online); https://www.amazon.com/dp/B07KSMQH4D/refdp_cr_wdg_tit_nw_mr.
- The Gray Barn Berkley TV Stand; Overstock.com; found online Apr. 21, 2021; retrieved May 4, 2021 (online); <https://www.overstock.com/Home-Garden/Convenience-Concepts-Blake-Barn-Door-TV-Stand/28387177/product.html?recalg=954%2C873%2C839&recidx=2&recset=Oa8617dc-Od40-4dcf-b57f-7220ec2436da&refccid=2NUDESSESYZPUIJKBLPZR6M7VUE>.
- The Gray Barn Ansley Media Console; Overstock.com; found online Apr. 21, 2021; retrieved May 4, 2021 (online); <https://www.overstock.com/Home-Garden/Entertainment-Centers/2029/subcat.html?featuredproduct=31934591>.
- Barn Door Rustic TV Stand; Overstock.com; found online Apr. 21, 2021; retrieved May 4, 2021 (online); <https://www.overstock.com/Home-Garden/TV-Stand-for-TVs-up-to-60-inches/30841483/product.html?IID=PDP7o3ASimilarItemsCarousel%3Aclick&recalg=954%2C930&recidx=0&Yecset=0f33724c-aeb3-4523-8c14-9d784eb7cf87&refccid=GRRWJGIVNYNLCD2OLNZIHD3SPQ>.
- Ktaxon 58' Farmhouse TV Stand; Walmart.com; found online Apr. 21, 2021; retrieved May 4, 2021 (online); <https://www.walmart.com/ip/Ktaxon-58-Farmhouse-TV-Stand-TVs-60-Sliding-Wood-Barn-Door-Media-Console-Storage-Cabinet-Rustic-Gray-Wash-Entertainment-Center-Living-Room/671965194>.
- Sekey Home Sliding Barn Door TV Stand; Walmart.com; found online Apr. 21, 2021; retrieved May 4, 2021 (online); <https://www.walmart.com/ip/Sekey-Home-Sliding-Barn-Door-TV-Stand-Entertainment-Center-TV-Console-for-58-for-Flat-Screen-TV-s-Up-to-65-Light-Oak/458659151>.
- Wrangler Sliding Barn Door TV Stand; Walmart.com; found online 04-21-2021; retrieved May 4, 2021 (online); <https://www.walmart.com/ip/pamari-tc54-6127-tpg03-wrangler-sliding-barn-door-tv-stand-off-white/232902955>.
- UBesGoo Wooden TV Stand; Walmart.com; found online Apr. 21, 2021; retrieved May 5, 2021 (online) <https://www.walmart.com/ip/UBesGoo-Wooden-58-TV-Stand-for-TVs-up-to-60-with-Sliding-Wood-Barn-Door-Media-Console-Storage-Cabinet-for-Living-Room-Bedroom-Rustic-Gray-Wash/152098747>.
- Walker Edison White Oak Sliding Barn Door Media Console; Walmart.com; found online Apr. 21, 2021; retrieved May 5, 2021 (online); https://www.walmart.com/ip/58-inch-Sliding-Barn-Door-TV-Stand-Media-Console-in-White-Oak/207240611?wpa_bd=&wpa_pg_seller_id=203317B21FE947819EB684DAE150ECA5&wpa_ref_id=wpaqs:d_OrLoQQqieprA9uyaaVHrAZrOtC-Wq7We-HPBeJZ4x2S4GpnOlhz5qru9K6ySqAW-QcvE3KfQy194-h8-MvmpzeSfJim72C-yCvH2OltMjVOnstG23HBInTx63HkquiB05hGWHy8kvHoxlaFLkbyfv2FAVWjeQNq2bW_hy9-OQU8KSSQ Fz6QkOVVSI45ek5NrhChuAbB5luyXKyBnz7mBFX5QNgoiDbJF_agFSWAaOWyLemcKJRpUROh3rkbE2KNnr4XI_but_fHWOGMo6IGSyxVrdkdPVJOExL4pA&wpa_tag=&wpa_aux_info=&wpa_pos=1&wpa_plmt=1145x1145_T-C-IG_TI_1-2_HL-INGRID-GRID-NY&wpa_aduid=5766f3ab-d7ae-4319-80dd-6f96862cee51&wpa_pg=search&wpa_pg_id=sliding%20barn%20door%20tv%20stand&wpa_st=sliding%20barn%20door%20tv%20stand&wpa_tax=40441031506354992546222&wpa_bucket=bkt.
- Albright TV Stand; Wayfair.com; found online Apr. 21, 2021; retrieved May 3, 2021 (online); <https://www.wayfair.com/furniture/pdp/three-posts-albright-tv-stand-w003419693.html?placement=1>.
- Chantell TV Stand; Wayfair.com; found online Apr. 21, 2021; retrieved May 5, 2021 (online); <https://www.wayfair.com/furniture/pdp/latitude-run-chantell-tv-stand-for-tvs-up-to-65-lrun1015.html>.
- Gainesboro TV Stand; Wayfair.com; found online Apr. 21, 2021; retrieved May 5, 2021 (online); <https://www.wayfair.com/furniture/pdp/winston-porter-gainesboro-tv-stand-for-tvs-up-to-65-w003895133.html>.
- Albritton TV Stand; Wayfair.com; found online Apr. 21, 2021; retrieved May 5, 2021 (online); <https://www.wayfair.com/furniture/pdp/three-posts-albritton-tv-stand-for-tvs-up-to-65-w003404447.html?placement=1>.
- Chabelli TV Stand; Wayfair.com; found online Apr. 21, 2021; retrieved May 5, 2021 (online); https://www.wayfair.com/furniture/pdp/latitude-run-chabelli-tv-stand-for-tvs-up-to-65-w004029827.html?categoryid=1868409&placement=3&slot=5&sponsoredid=bb92fbde3cc952ed7e2c82697812cb88232c512191dad5893e80ad17d6adb05f&_txid=1%2FcmXF%2B1T41_hnharBpMJA%3D%3D&isB2b=0&auctionId=f9be48b1-0bcd-4aaf-b285-dbb3ea880db5.
- Gaither TV Stand; Wayfair.com; found online Apr. 21, 2021; retrieved May 5, 2021 (online); <https://www.wayfair.com/furniture/pdp/alcott-hill-gaither-tv-stand-for-tvs-up-to-65-with-fireplace-included-acot3821.html>.
- Plazonja TV Stand; Wayfair.com; found online Apr. 21, 2021; retrieved May 5, 2021 (online); <https://www.wayfair.com/furniture/pdp/winston-porter-plazonja-tv-stand-for-tvs-up-to-75-w002590978.html>.
- Alisee Console; Wayfair.com; found online Apr. 21, 2021; retrieved May 5, 2021 (online); <https://www.wayfair.com/furniture/pdp/ebern-designs-alisee-tv-stand-for-tvs-up-to-78-w002981803.html>.
- Bolderberg Console; Wayfair.com; found online Apr. 21, 2021; retrieved May 5, 2021 (online); <https://www.wayfair.com/furniture/pdp/winston-porter-bolderberg-tv-stand-for-tvs-up-to-78-w003404204.html?placement=1>.
- Dunsmuir TV Stand; Wayfair.com; found online Apr. 21, 2021; retrieved May 5, 2021 (online); <https://www.wayfair.com/furniture/pdp/andover-mills-dunsmuir-tv-stand-for-tvs-up-to-78-w002122263.html>.
- Annaliece TV Stand; Wayfair.com; found online Apr. 21, 2021; retrieved May 5, 2021 (online); <https://www.wayfair.com/furniture/pdp/red-barrel-studio-annaliece-tv-stand-for-tvs-up-to-78-w004115724.html>.
- Straughn TV Stand; Wayfair.com; found online Apr. 21, 2021; retrieved May 5, 2021 (online); <https://www.wayfair.com/furniture/pdp/gracie-oaks-straughn-tv-stand-for-tvs-up-to-78-w004455598.html>.
- Strausstown TV Stand; Wayfair.com; found online Apr. 21, 2021; retrieved May 5, 2021 (online); <https://www.wayfair.com/furniture/pdp/gracie-oaks-strausstown-tv-stand-for-tvs-up-to-78-w004458013.html>.
- Adcock TV Stand; Wayfair.com; found online Apr. 21, 2021; retrieved May 5, 2021 (online); <https://www.wayfair.com/furniture/pdp/andover-mills-adcock-tv-stand-for-tvs-up-to-78-w004124702.html?placement=7>.
- Gaudreau TV Stand; Wayfair.com; found online 04-21-2022; retrieved May 5, 2021 (online); <https://www.wayfair.com/furniture/pdp/red-barrel-studio-gaudreau-solid-wood-tv-stand-for-tvs-up-to-78-qdy2069.html>.
- Himrod TV Stand; Wayfair.com; found online Apr. 21, 2021; retrieved May 5, 2021 (online); <https://www.wayfair.com/furniture/pdp/loon-peak-himrod-tv-stand-for-tvs-up-to-78-w004412411.html>.
- Mouton TV Stand; Wayfair.com; found online Apr. 21, 2021; retrieved May 5, 2021 (online); <https://www.wayfair.com/furniture/pdp/foundry-select-mouton-tv-stand-for-tvs-up-to-78-w001812510.html>.
- Humphery TV Stand; Google Search; Wayfair.com; found online Apr. 21, 2021; retrieved May 10, 2021 (online); <https://www.hickoryfurniture.com/itembrowser.aspx?action=attributes&itemtype=furniture&event=reset&wsearch=bridgeport>.
- Vigue TV Stand; Wayfair.com; found online Apr. 21, 2021; retrieved May 5, 2021 (online); <https://www.wayfair.com/furniture/pdp/foundry-select-vigue-tv-stand-for-tvs-up-to-78-w002881900.html>.
- Gorete TV Stand; Wayfair.com; found online Apr. 21, 2021; retrieved May 5, 2021 (online); <https://www.wayfair.com/furniture/pdp/latitude-run-gorete-tv-stand-for-tvs-up-to-78-w004589072.html>.

(56)

References Cited

OTHER PUBLICATIONS

Alcott Hill TV Stand with Fireplace; Wayfair.com; found online Apr. 21, 2021; retrieved May 5, 2021 (online); <https://www.wayfair.com/furniture/pdp/alcott-hill-santa-tv-stand-for-tvs-up-to-70-with-fireplace-included-w001442995.html?piid=1644522337>.

West Elm Website “furniture” search; Westelm.com; retrieved Apr. 20, 2020 (online) https://www.westelm.com/shop/furniture/?searchredir=true&cm_sp=HeaderLinks-_-OnsiteSearch-_-MainSite&cm_type=OnsiteSearch&term=furniture&searchredirtype=br.

Raymour Flanigan Website “Living Rooms” search; raymourflanigan.com; retrieved Nov. 6, 2020 (online); <https://raymourflanigan.com/living-rooms>.

Crate and Barrel Website “Business Interior Design” search; crateandbarrel.com; retrieved Nov. 6, 2020 (online); https://www.crateandbarrel.com/trade-program/?a=784campaignid=1061902950adgroupid=55881134521targetid=aud-1097585102856:kwd-415008832538adpos=creative=251673559670deviceFcmatchtype=enetwork=ggclid=CjOKCQjwytOEBhD5ARIsANnRjVgCRKanmeP5yMquG6rsNP7KAU-nUpzG5NfgZU-PhRCRUgz507lttMaAhvLEALw_wcB.

Crate and Barrel Website “Business Office Design” search; crateandbarrel.com; retrieved Nov. 6, 2020 (online); <https://www.crateandbarrel.ca/trade-program/>.

Penny Mustard Website “Bridgeport” search; pennymustard.com; retrieved May 13, 2020 (online) <https://www.pennymustard.com/search.inc?q=bridgeport&p=1>.

Home Living Furniture Website “coaster furniture, bridgeport, servers” search homelivingfurniture.com; retrieved May 13, 2020 (online); https://www.homelivingfurniture.com/st/_t_/105525.

Whitley Furniture Website “dining room, gat-creek, curio cabinets, bridgeport” search whitleygalleries.com; retrieved May 13, 2020 (online); <https://www.whitleygalleries.com/gat-creek-bridgeport-four-door-cabinet/81593-1137/iteminformation.aspx>.

Oak Finish 70-Inch TV Stand, <https://www.inspireq.com/products/oak-finish-tv-stand-e976ak-t>, Retrieved Jun. 2, 2021.

Grey Wash Finish TV Stand, <https://www.inspireq.com/collections/living-room/products/grey-wash-finish-tv-stand-with-door-e975gat>, retrieved Jun. 2, 2021.

Matte Black Finish Metal Coat Rack with Ladder Shelf, <https://www.inspireq.com/collections/home-decor/products/matte-black-finish-metal-coat-rack-with-ladder-shelf-e824bk>, retrieved Jun. 2, 2021.

Sadie Low Bookshelf, https://www.homethreads.com/products/furniture/tv-stands/sadie-low-8BBTK412S1oak?gclid=CjwKCAjwJ2FBhAuEiwAIKu1903PBxz3p9PodtUUqKh6fPIHib_PGIulJBjNuddyHp8BBTK412S1BoCgOoQAvD_BwE, retrieved Jun. 2, 2021, available on information and believe as early as Aug. 2013.

Ameriwood Home Farmington Electric Fireplace TV Console for TVs up to 60", Rustic, https://www.amazon.com/Ameriwood-Home-Farmington-Electric-Fireplace/dp/B01JADOQ52/ref=dp_prsubs_1?pd_rd_j=B01JADOQ52&psc=1, retrieved Jun. 2, 2021, available on information and believe as early as Jul. 2016.

Farmington 60 in. Century Barn Pine Wood TV Stand with 2 Drawer Fits TVs Up to 60 in. with Storage Doors, https://www.homedepot.com/pep/Altra-Furniture-Farmington-60-in-Century-Barn-Pine-Wood-TV-Stand-with-2-Drawer-Fits-TVs-Up-to-60-in-with-Storage-Doors-1783215PCOM/300318849?source=shoppingads&locale=en-US&mtc=Shopping-BA-F_HDH-G-D59-59_34_INTERIOR_FURNITURE-MULTI-NA-Feed-PLA-NA-NA-059_034_006_HOME_ENTERTAINMENT_FURN_HomeEntertainment&cm_mmc=Shopping-BA-F_HDH-G-D59-59_34_INTERIOR_FURNITURE-MULTI-NA-Feed-PLA-NA-NA-059_034_006HomeEntertainmentFurnHomeEntertainment-71700000051494672-58700004993904823-92700061190272430&gclid=CjwKCAjwJ2FBhAuEiwAIKu19pVm9Q_uSEY88TOekNfZ8IAfW HtpcxTuqczP5-EYfeixW15etjLxoCh_

QQAvD_BwE&gclid=aw.ds, retrieved Jun. 2, 2021, available on information and believe as early as Dec. 2015.

DIY Media Console-Free Plans, <https://www.shanty-2-chic.com/2015/07/diy-media-console-free-plans.html>, retrieved Jun. 2, 2021, available on information and believe as early as Jul. 2015.

DIY Barn Door Media Console, <https://www.shanty-2-chic.com/2014/06/diy-barn-door-media-console.html>, retrieved Jun. 2, 2021, available on information and believe as early as Jun. 2014.

Joss & Main TV Stand, available on information and believe as early as Jul. 2015.

Rogue Engineer, DIY Rustic Media Center, <https://rogueengineer.com/diy-rustic-media-center-plans/>, retrieved Jun. 2, 2021, available on information and believe as early as Jul. 2015.

Ameriwood Home Bloomfield Natural/Heritage Light Pine TV Stand, <https://www.lowes.com/pd/Ameriwood-Home-Bloomfield-TV-Stand-for-TVs-up-to-60-in-Natural/1003087852>, retrieved Jun. 2, 2021.

Custom 9-Foot Rustic Buffet, <https://www.pinterest.com/pin/40250990400157640/>, retrieved Jun. 2, 2021, available on information and believe as early as Jan. 2017.

Sauder Dakota Pass Credenza, https://US.amazon.com/dp/B01GK8VWPC/ref=sbl_dpx_BO7LGGGCFQ_0, retrieved Jun. 2, 2021, available on information and believe as early as Mar. 2016.

Aspen Antique Red 64" TV Stand, <https://www.sancarlosimports.com/asanredtvst.html>, retrieved Jun. 2, 2021, available on information and believe as early as Dec. 2015.

San Carlos Imports Santiago TV Stand, available on information and believe as early as Dec. 2015.

San Carlos Imports San Felipe TV Stand, available on information and believe as early as Dec. 2015.

Aspen Antique Multi Color 76" TV Stand, <https://www.pinterest.com/pin/315040936427682950/>, retrieved Jun. 2, 2021, available on information and believe as early as Dec. 2015.

San Carlos 65" Rustic TV Stand with Cross, <https://www.sancarlosimports.com/rustic-tv-stand-cross.html>, retrieved Jun. 2, 2021, available on information and believe as early as Dec. 2015.

Laredo Rustic 60" TV Stand, <https://www.pinterest.com/pin/37295503137850917/>, retrieved Jun. 2, 2021, available on information and believe as early as Dec. 2015.

San Carlos 48" TV Stand, <https://www.sancarlosimports.com/sanca48rutvs.html>, retrieved Jun. 2, 2021, available on information and believe as early as Dec. 2015.

Mountain Modern Cabinet, available on information and believe as early as Oct. 2015.

Safavieh American Homes Collection Sadie Low Bookshelf, Oak, retrieved from <https://www.amazon.com/Safavieh-AMH6525C-American-Collection-Bookshelf/dp/BOOMMBHVK> on Jun. 3, 2021.

Safavieh American Homes Collection Sadie Off White Low Bookshelf, found online on May 12, 2021 at https://www.amazon.com/dp/B004LGP9FO/ref=cm_sw_su_dp?tag=50kud0o3-20&th=1, retrieved Jun. 3, 2021.

Safavieh Sadie Low Bookshelf, found online at <https://web.archive.org/web/20150327201221/https://safavieh.com/furniture/bookcases/amh6525c>, retrieved Jun. 3, 2021, available on information and belief as early as Mar. 27, 2015.

Safavieh Sadie Country Nautical Low Bookshelf, found online on May 10, 2021 at <https://www.walmart.com/ip/Safavieh-Sadie-Country-Nautical-Low-Bookshelf/37549808?selected=true>, retrieved Jun. 3, 2021.

UHURU Furniture & Collectibles Long Low Wooden Bookcase, found online at <https://uhurufurniture.blogspot.com/2011/08/long-low-wooden-bookcase-90.html>, retrieved Jun. 3, 2021, available on information and belief as early as Aug. 17, 2011.

Woven Paths Open Storage TV Stand for TVs up to 80", Espresso, found online on May 10, 2021 at <https://www.walmart.com/ip/Woven-Paths-Open-Storage-TV-Stand-for-TVs-up-to-80-Espresso/411955245>, retrieved Jun. 3, 2021.

* cited by examiner

‡ imported from a related application

FIG. 1

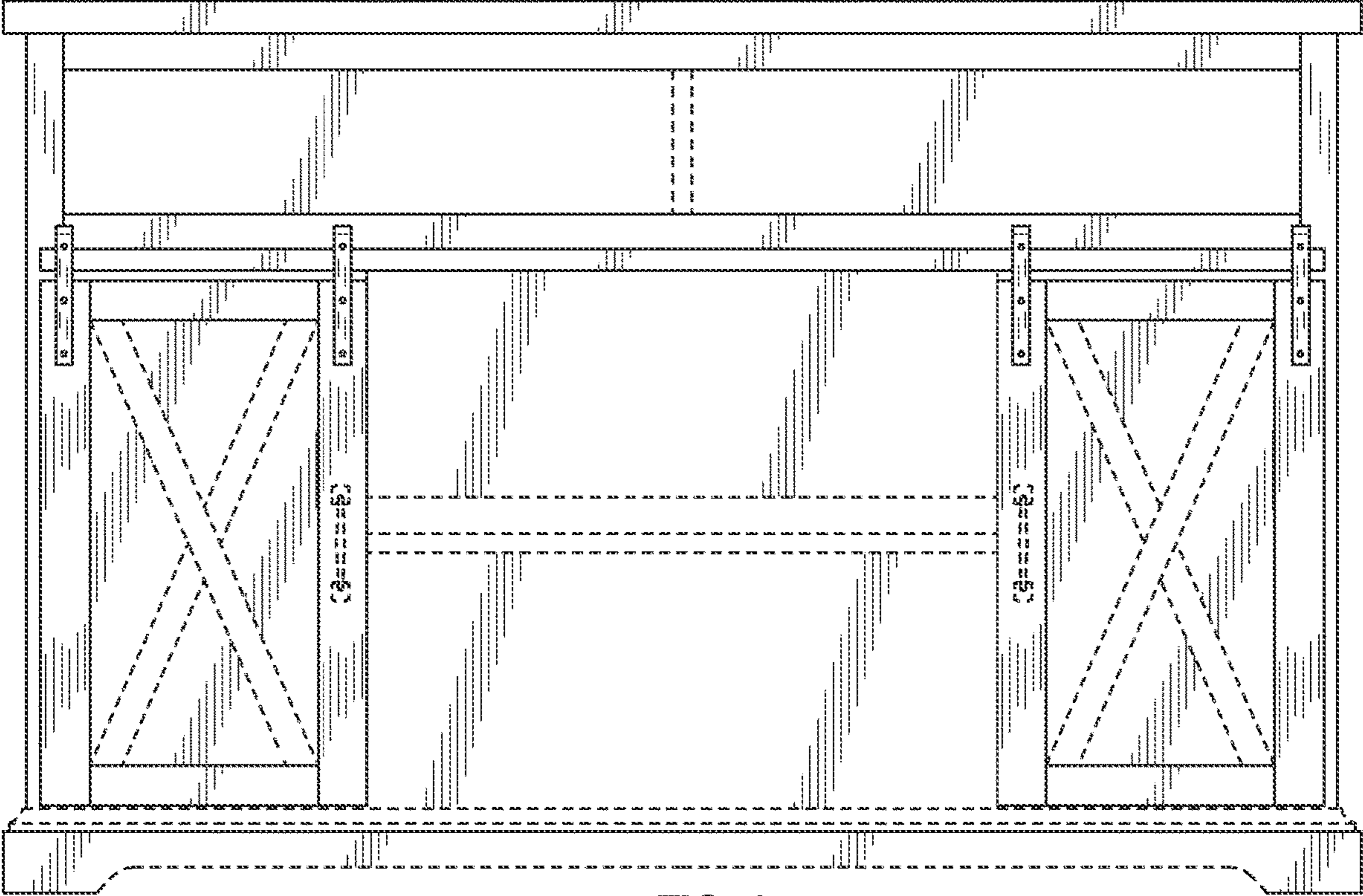
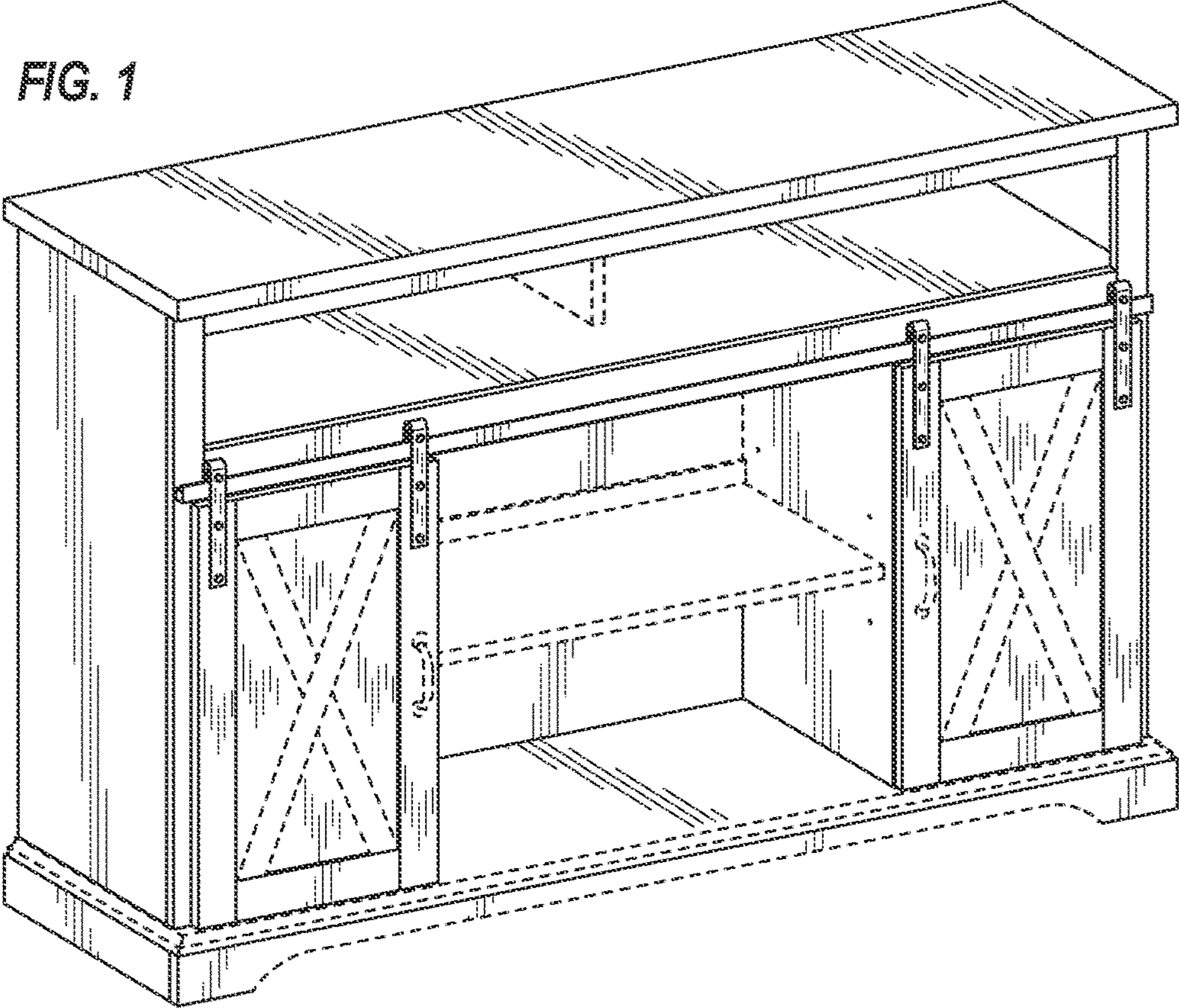


FIG. 2

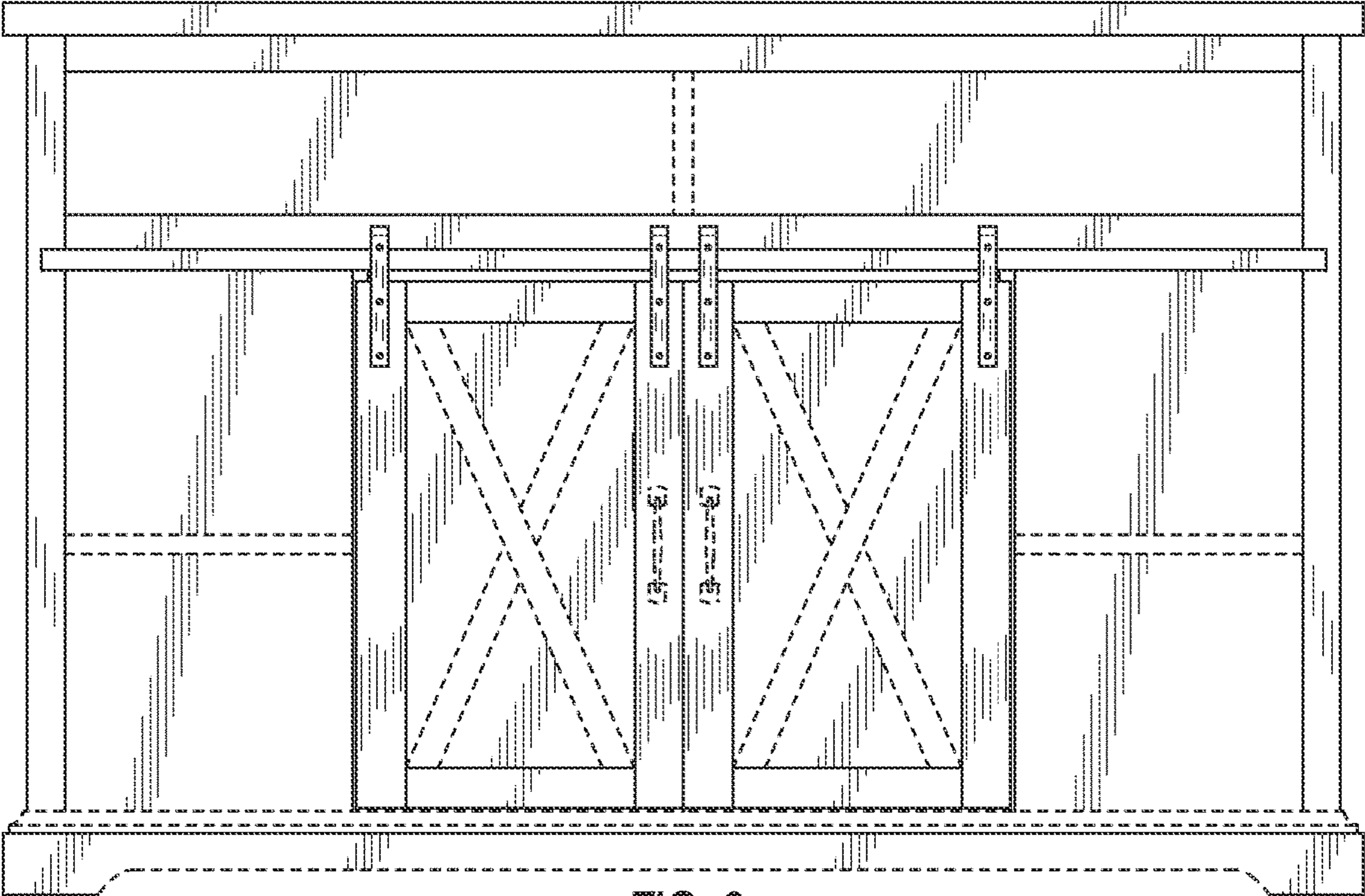


FIG. 3

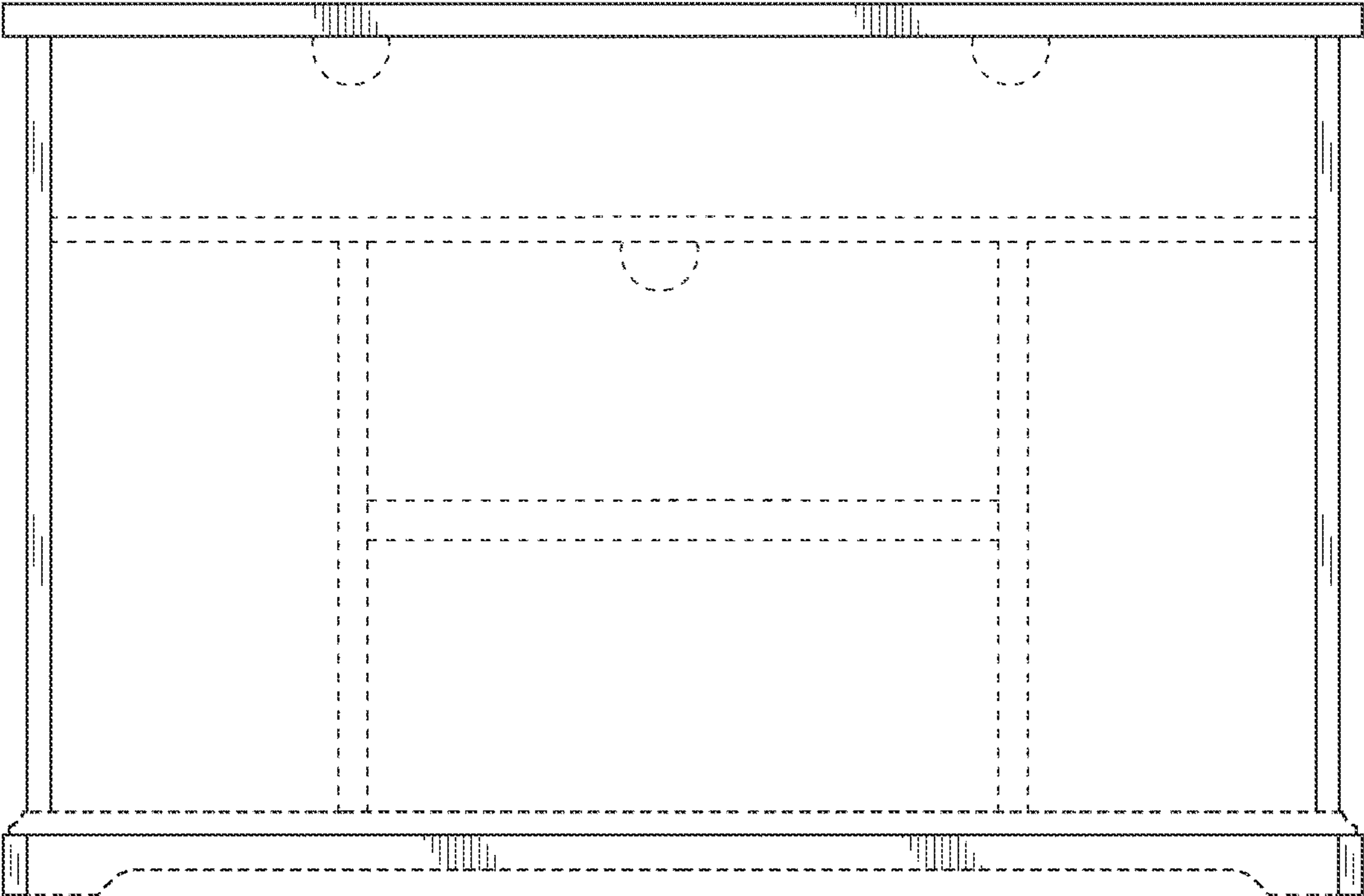


FIG. 4

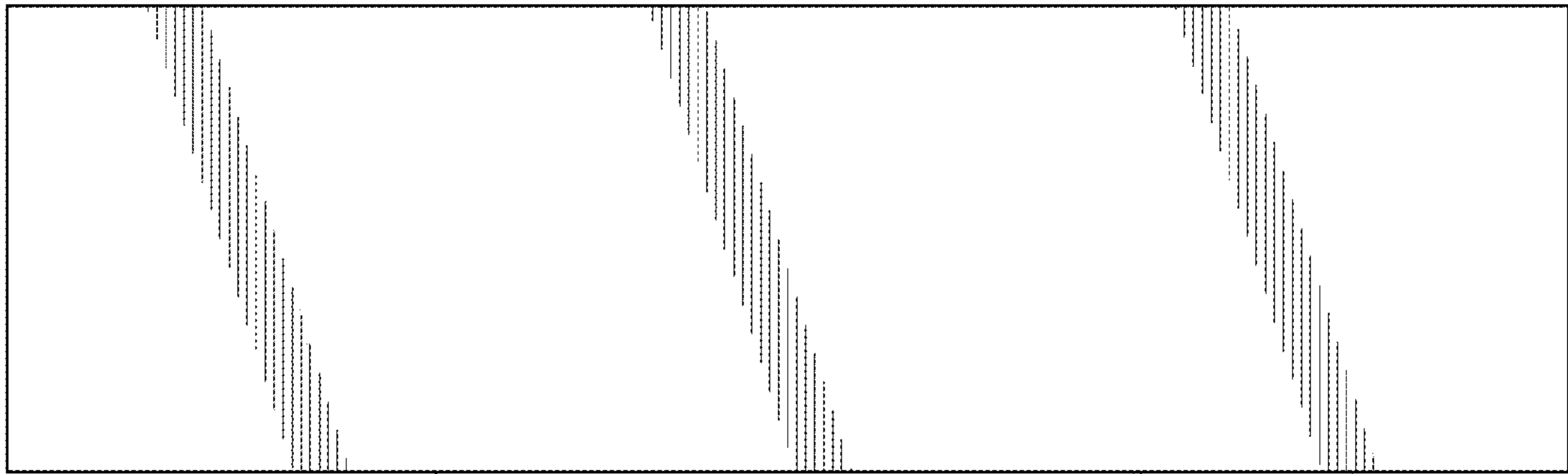


FIG. 5

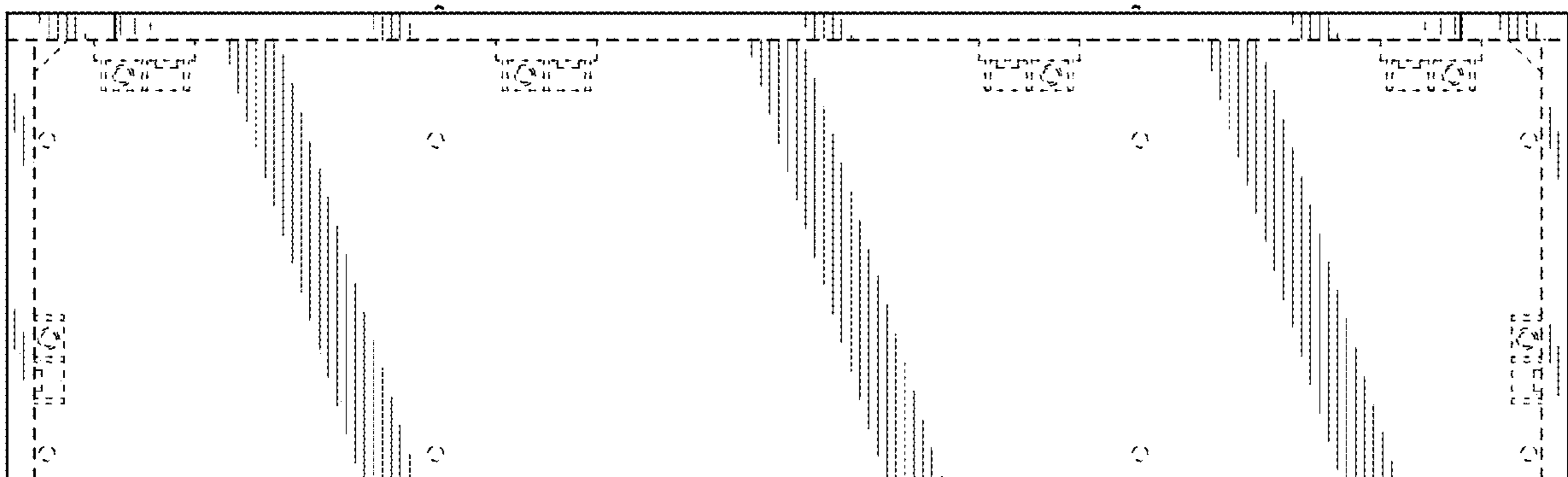


FIG. 6

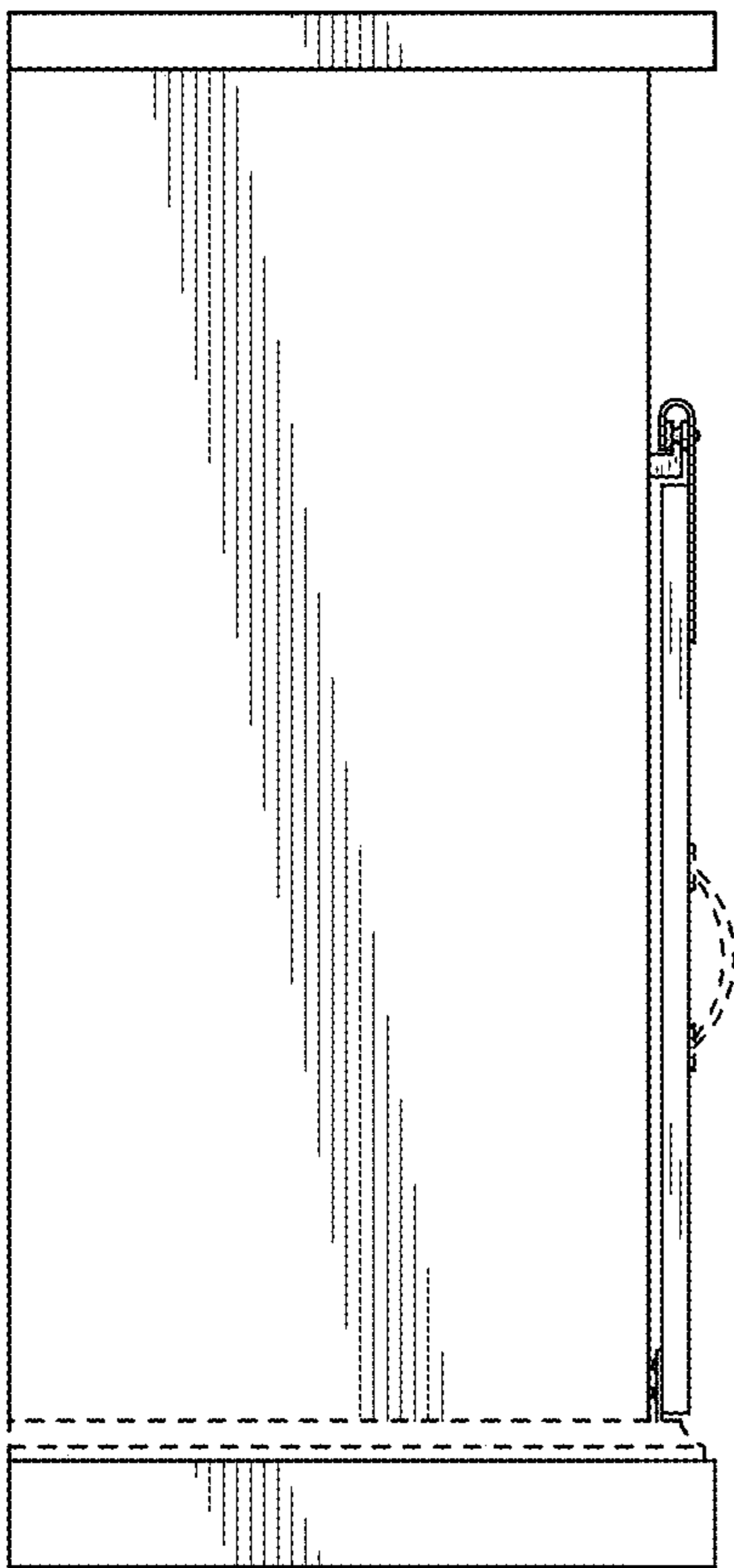


FIG. 7

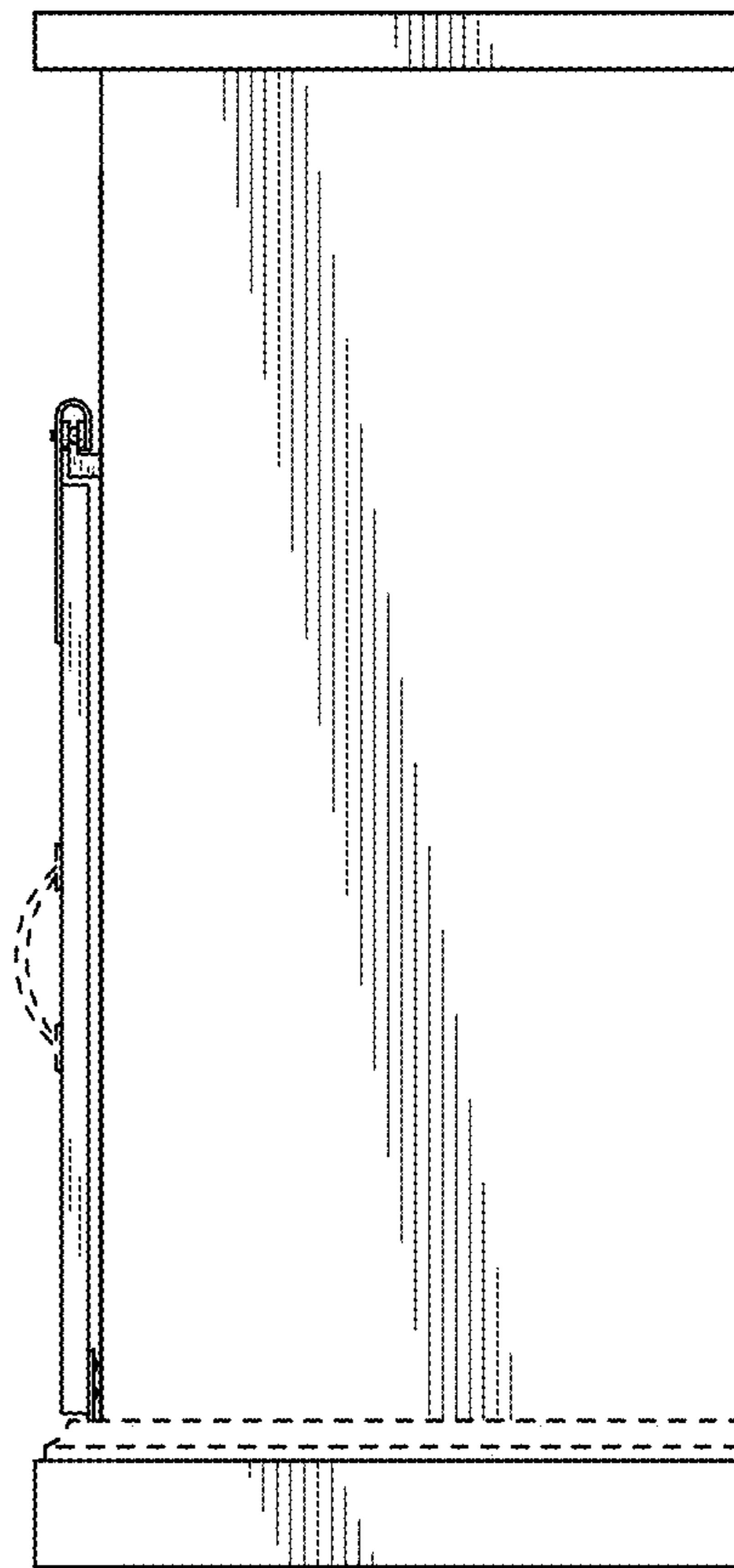


FIG. 8