



US00D931660S

(12) **United States Design Patent** (10) **Patent No.:** **US D931,660 S**
Hu (45) **Date of Patent:** **** Sep. 28, 2021**

(54) **GAMING DESK**
(71) Applicant: **Yajun Hu**, El Dorado Hills, CA (US)
(72) Inventor: **Yajun Hu**, El Dorado Hills, CA (US)
(73) Assignees: **Yajun Hu**, El Dorado Hills, CA (US);
EUREKA LLC, El Dorado Hills, CA (US)
(**) Term: **15 Years**

D547,970 S 8/2007 Chou
D549,009 S 8/2007 Lin
D644,044 S * 8/2011 Kitajima D6/656.17
9,236,817 B2 * 1/2016 Strothmann A47B 9/20
9,591,919 B2 3/2017 Ergun et al.
9,635,932 B2 5/2017 Kelley et al.
D819,371 S * 6/2018 Cao D6/656.16
D861,382 S * 10/2019 Hu D6/656.11
D862,129 S * 10/2019 Hu D6/656.17
D865,405 S * 11/2019 Hu D6/656.16
D875,442 S * 2/2020 Duan D6/656.16
D877,544 S * 3/2020 Hu D6/656.16

(Continued)

(21) Appl. No.: **29/736,417**
(22) Filed: **May 29, 2020**
(51) **LOC (13) Cl.** **06-03**
(52) **U.S. Cl.**
USPC **D6/656.16**
(58) **Field of Classification Search**
USPC D6/641, 642, 648, 648.1, 650, 650.1,
D6/655, 656, 656.1, 656.11, 656.12,
D6/656.13, 656.14, 656.15, 656.16,
D6/656.17, 656.18, 656.19, 675, 686,
D6/688.14, 688.15, 691, 691.5, 691.1,
D6/691.6, 691.7, 694.2, 697, 705, 705.4,
D6/705.5, 705.7, 706, 707, 707.18,
D6/707.19, 707.22
CPC A47B 1/00; A47B 7/00; A47B 9/10; A47B
9/16; A47B 2009/006; A47B 11/00; A47B
13/00; A47B 13/081; A47B 21/0073;
A47B 21/02; A47B 21/03; A47B
2200/0064; A47B 9/00; A47B 9/02; A47B
9/04; A47B 9/12; A47B 2200/0035; A47B
2200/005; A47B 2200/0056
See application file for complete search history.

(56) **References Cited**
U.S. PATENT DOCUMENTS
D478,225 S 8/2003 Wang
D499,273 S 12/2004 Chang
D499,576 S 12/2004 Long
D526,812 S 8/2006 Chen

OTHER PUBLICATIONS

DESIGNA 60, posted at Amazon.com, posted on Jun. 19, 2020, site visited Apr. 21, 2021. online, available from internet: <https://www.amazon.com/DESIGNA-Computer-Professional-Workstation-Headphone/dp/B08BJ2XHY9> (Year: 2020).*

Primary Examiner — Mary Ann Calabrese
Assistant Examiner — Catherine Ho

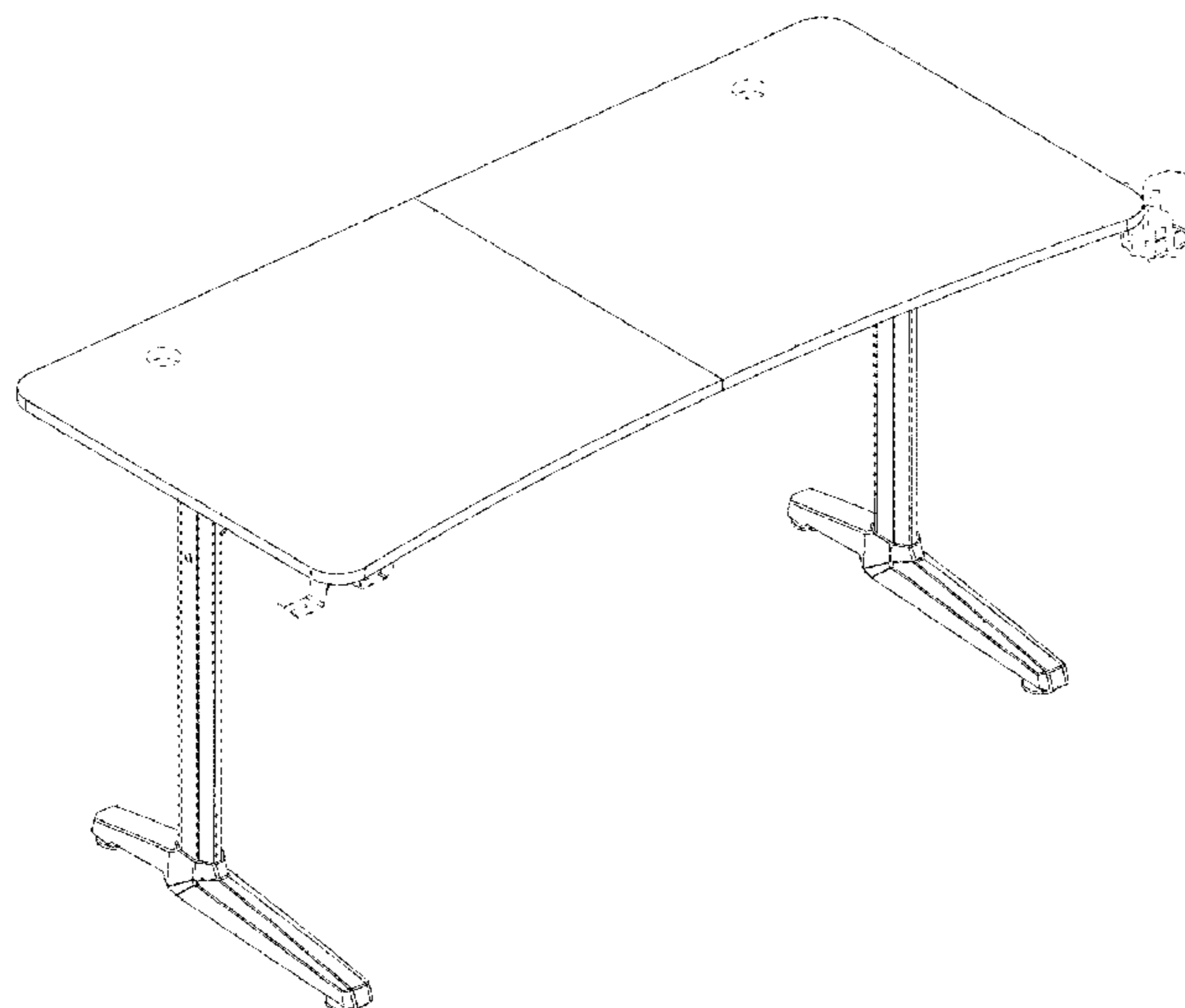
(57) **CLAIM**

I claim the ornamental design for a gaming desk, as shown and described.

DESCRIPTION

FIG. 1 is a perspective view one of a gaming desk, showing my new design;
FIG. 2 is a rear perspective view thereof;
FIG. 3 is a front view thereof;
FIG. 4 is a bottom view thereof;
FIG. 5 is a top view thereof;
FIG. 6 is a rear side view thereof;
FIG. 7 is a left side view thereof; and,
FIG. 8 is a right side view thereof.
The broken line portion of the figure drawings is included to show portions of the article that forms no part of the claimed design.

1 Claim, 8 Drawing Sheets



(56)

References Cited

U.S. PATENT DOCUMENTS

10,806,249	B2 *	10/2020	Lin	A47B 9/10
2008/0178779	A1 *	7/2008	Agee	A47B 9/04
					108/147
2014/0196553	A1 *	7/2014	Rinman	F16H 19/0645
					74/89.2
2014/0336822	A1 *	11/2014	Kristensen	G05B 15/02
					700/275
2016/0260019	A1 *	9/2016	Riquelme Ruiz	A47B 95/00
2018/0000240	A1 *	1/2018	Yamamoto	A47B 9/00
2018/0092457	A1 *	4/2018	Lai	A47B 9/12
2018/0103753	A1 *	4/2018	Daidsen	A47B 13/003
2018/0184799	A1 *	7/2018	Lin	A47B 9/04
2018/0338608	A1 *	11/2018	Keller	A47B 9/20
2019/0191867	A1 *	6/2019	Lin	F16C 3/035
2019/0200751	A1 *	7/2019	Yamamoto	A47B 9/20
2019/0254418	A1 *	8/2019	Ryholl	A47B 21/02
2020/0329862	A1 *	10/2020	Tao	A47B 9/12
2020/0337451	A1 *	10/2020	Tao	A47B 9/12
2021/0000250	A1 *	1/2021	Hoyer	A47B 9/00
2021/0030146	A1 *	2/2021	Riebner	A47B 9/00
2021/0037962	A1 *	2/2021	Applegate	A47B 3/0815

* cited by examiner

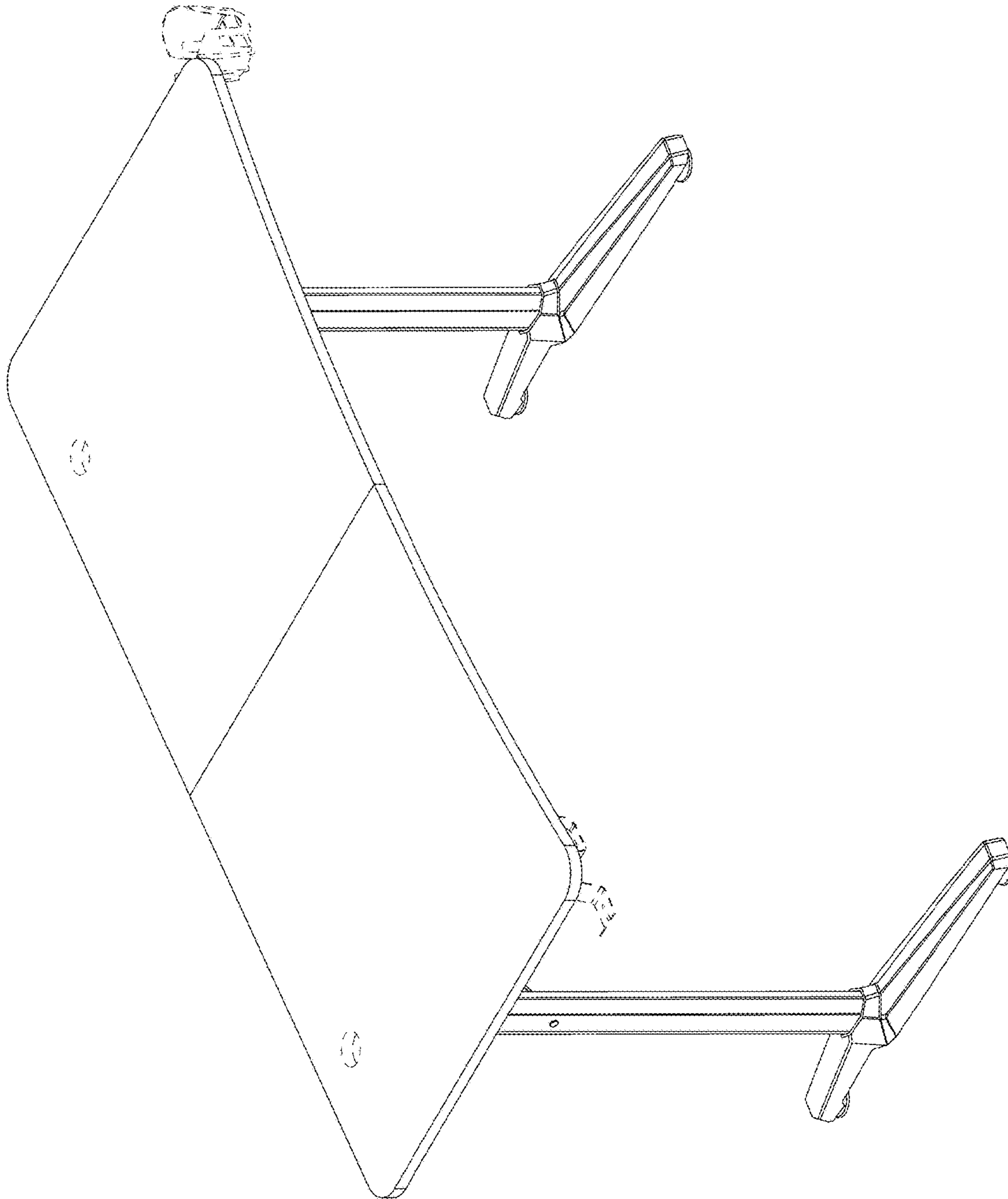


FIG. 1

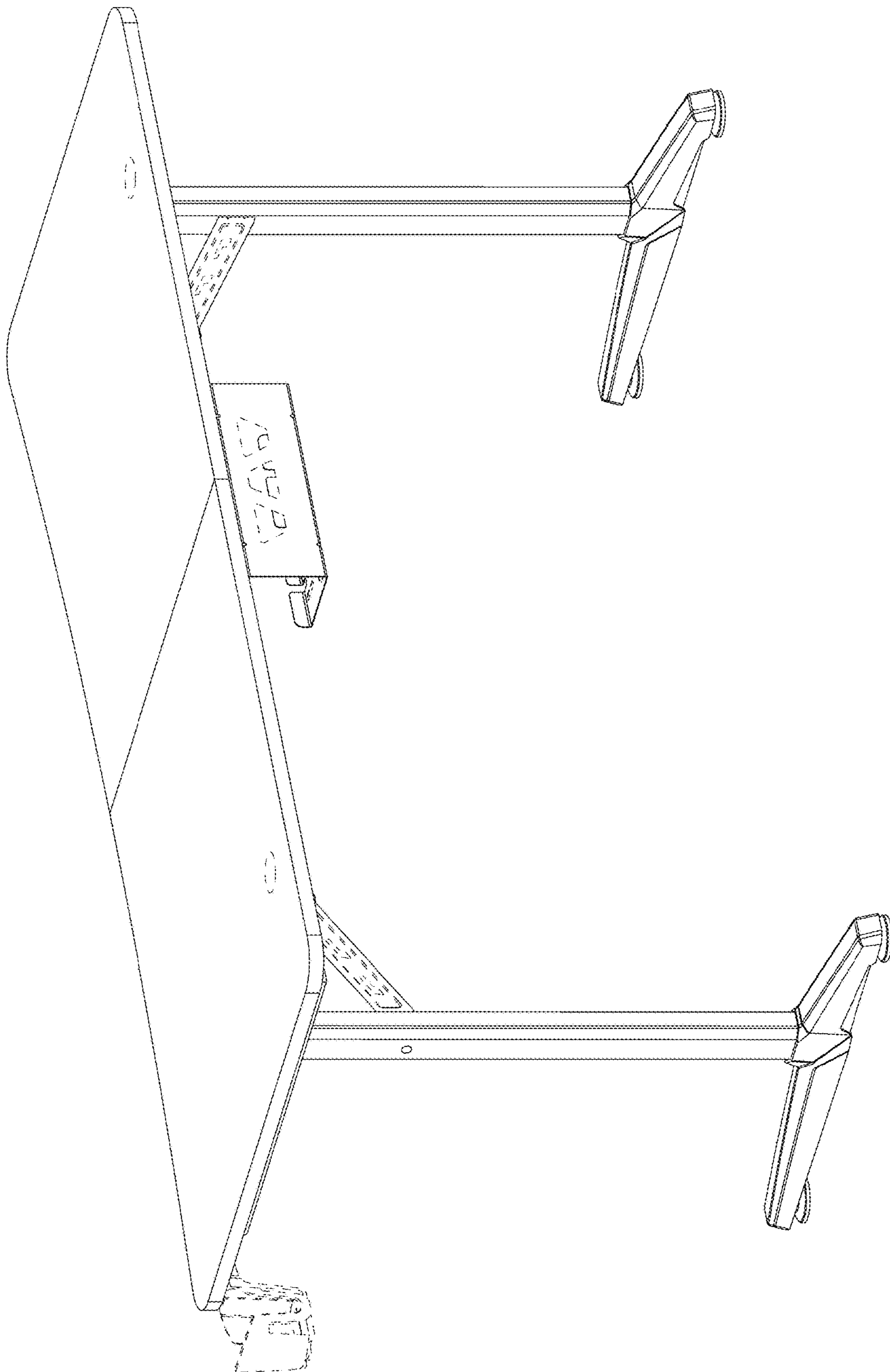


FIG.2

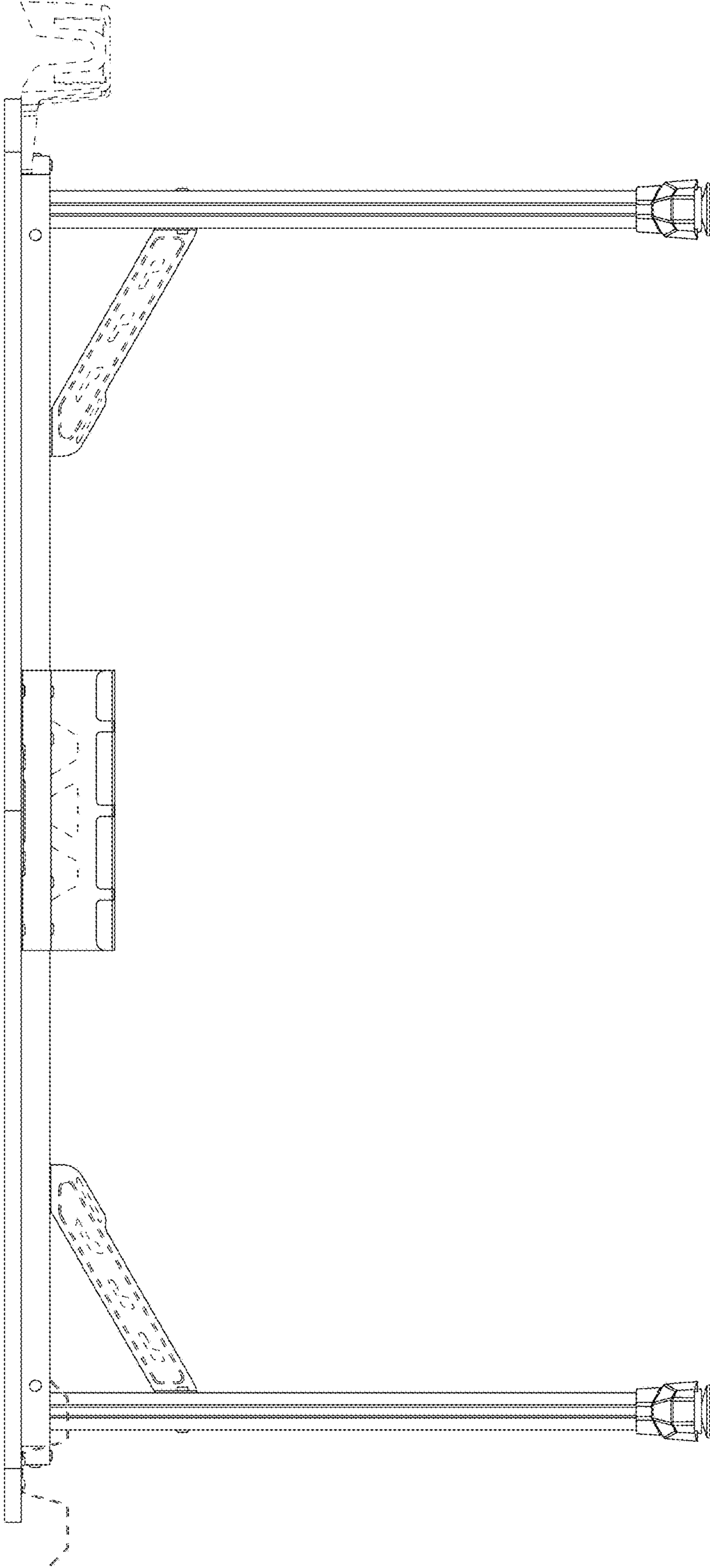


FIG.3

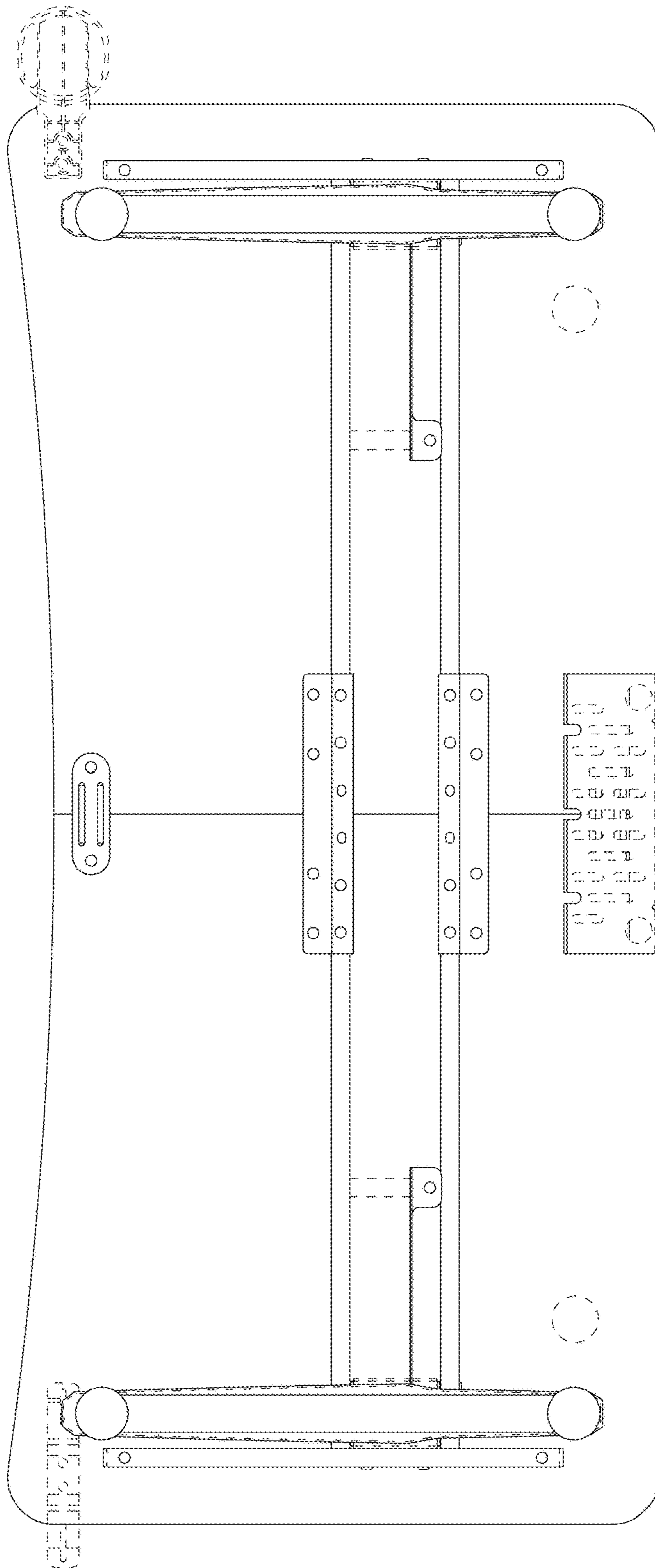


FIG.4

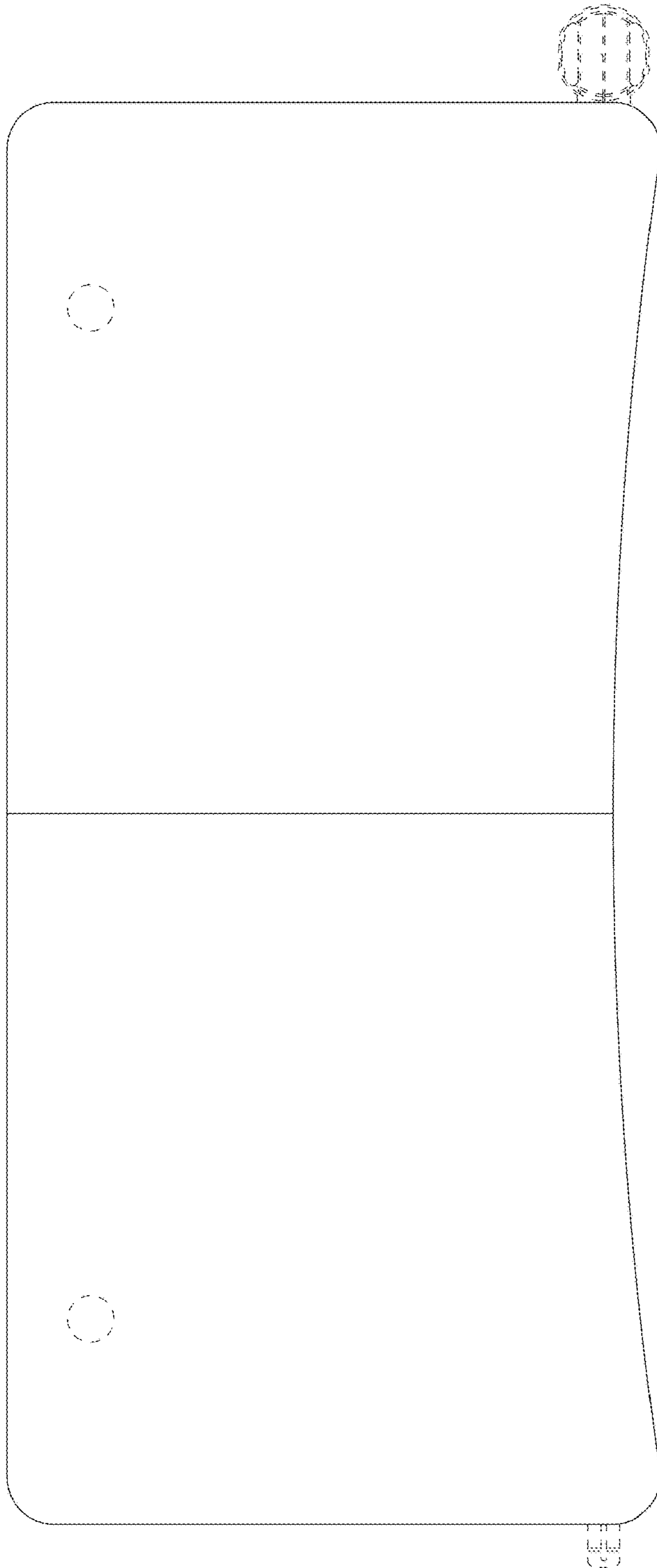


FIG. 5

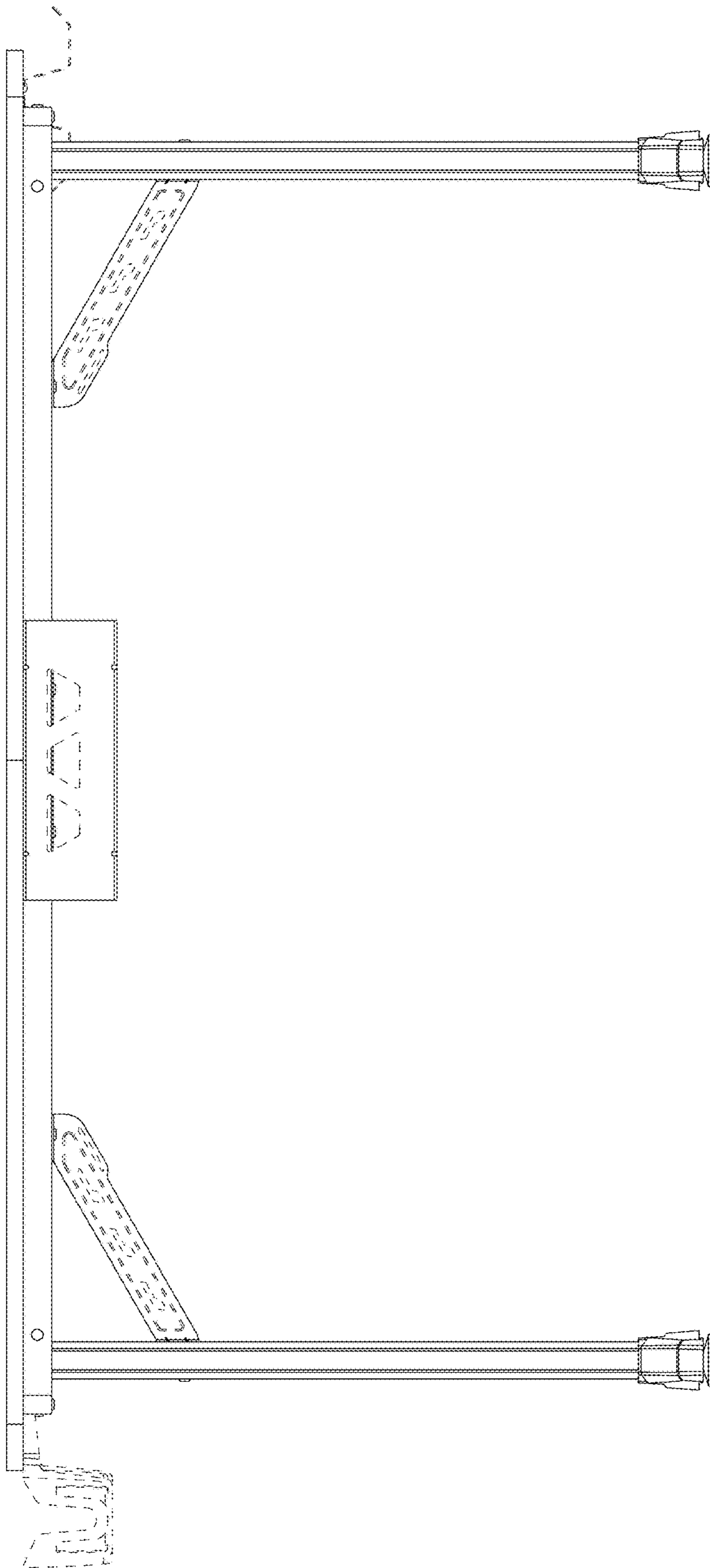


FIG.6

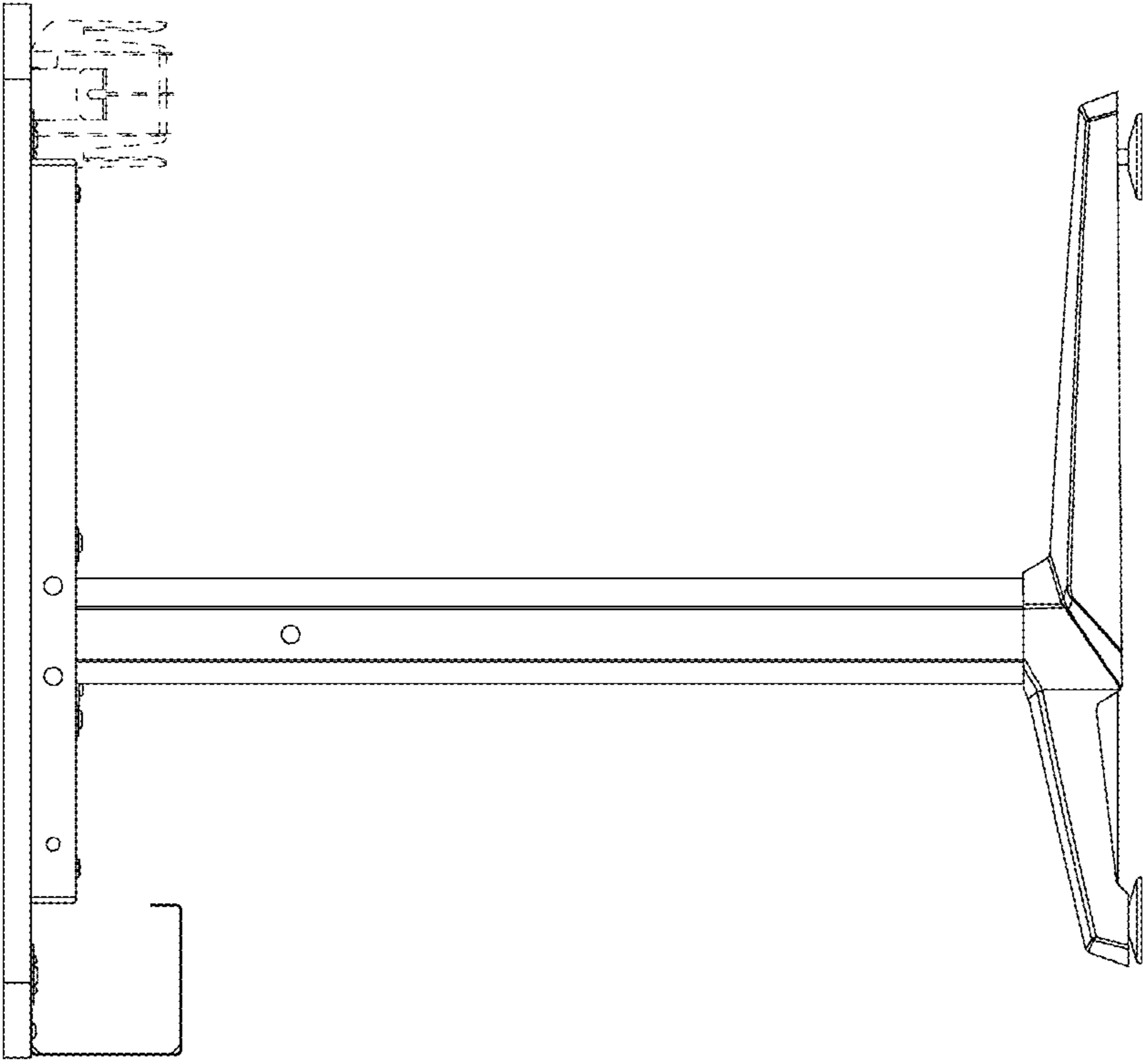


FIG.7

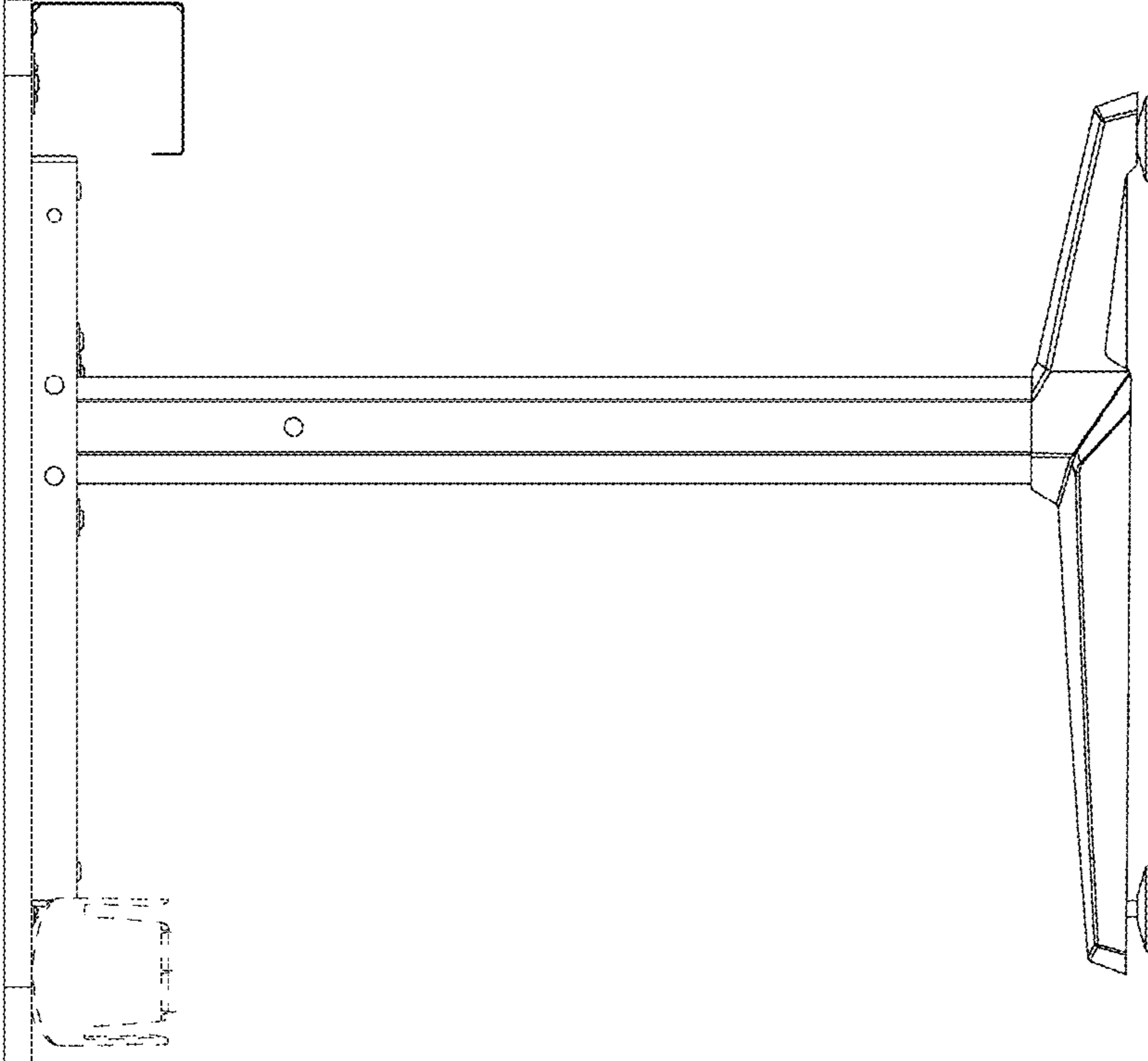


FIG.8