



US00D931659S

(12) **United States Design Patent**  
**Hu**

(10) **Patent No.:** **US D931,659 S**

(45) **Date of Patent:** **\*\* Sep. 28, 2021**

(54) **GAMING DESK**

(71) Applicant: **Yajun Hu**, El Dorado Hills, CA (US)

(72) Inventor: **Yajun Hu**, El Dorado Hills, CA (US)

(73) Assignees: **Yajun Hu**, El Dorado Hills, CA (US);  
**Eureka LLC.**, El Dorado Hills, CA (US)

(\*\*) Term: **15 Years**

(21) Appl. No.: **29/735,384**

(22) Filed: **May 20, 2020**

(51) **LOC (13) Cl.** ..... **06-03**

(52) **U.S. Cl.**

USPC ..... **D6/656.16**

(58) **Field of Classification Search**

USPC ..... D6/641, 642, 648, 648.1, 650, 650.1,  
D6/655, 656, 656.1, 656.11, 656.12,  
D6/656.13, 656.14, 656.15, 656.16,  
D6/656.17, 656.18, 656.19, 675, 686,  
D6/688.14, 688.15, 691, 691.5, 691.1,  
D6/691.6, 691.7, 694.2, 697, 705, 705.4,  
D6/705.5, 705.7, 706, 707, 707.18,  
D6/707.19, 707.22

CPC .... A47B 1/00; A47B 7/00; A47B 9/10; A47B  
13/00; A47B 21/0073; A47B 21/03; A47B  
2200/0064; A47B 9/00; A47B 9/02; A47B  
9/04; A47B 9/12; A47B 2200/0035; A47B  
2200/005; A47B 2200/0056; A47B 9/16;  
A47B 2009/006; A47B 11/00; A47B  
13/081; A47B 21/02

See application file for complete search history.

(56) **References Cited**

**U.S. PATENT DOCUMENTS**

D336,394 S \* 6/1993 Ball ..... D6/656.13  
D478,225 S 8/2003 Wang  
D499,273 S 12/2004 Chang

D499,576 S 12/2004 Long  
D526,812 S 8/2006 Chen  
D547,970 S 8/2007 Chou  
D549,009 S 8/2007 Lin  
D552,884 S \* 10/2007 Saotome ..... D6/656  
D668,884 S \* 10/2012 Olano Jauregui ..... D6/691.6  
9,591,919 B2 3/2017 Ergun et al.  
9,635,932 B2 5/2017 Kelley et al.  
D808,204 S \* 1/2018 Davis ..... D6/691  
D861,383 S \* 10/2019 Hu ..... D6/656.17  
D875,439 S \* 2/2020 Brucha ..... D6/642

(Continued)

**OTHER PUBLICATIONS**

Computer Gaming Home Office Desk, posted at Amazon.com, posted on Sep. 17, 2020, site visited Apr. 21, 2021. online, available from internet: <https://www.amazon.com/dp/B08JBBXV2S> (Year: 2020).\*

(Continued)

*Primary Examiner* — Mary Ann Calabrese

*Assistant Examiner* — Catherine Ho

(57)

**CLAIM**

The ornamental design for a gaming desk, as shown and described.

**DESCRIPTION**

FIG. 1 is a perspective view of a gaming desk, showing my new design;

FIG. 2 is a rear perspective view thereof;

FIG. 3 is a front view thereof;

FIG. 4 is a bottom view thereof;

FIG. 5 is a top view thereof;

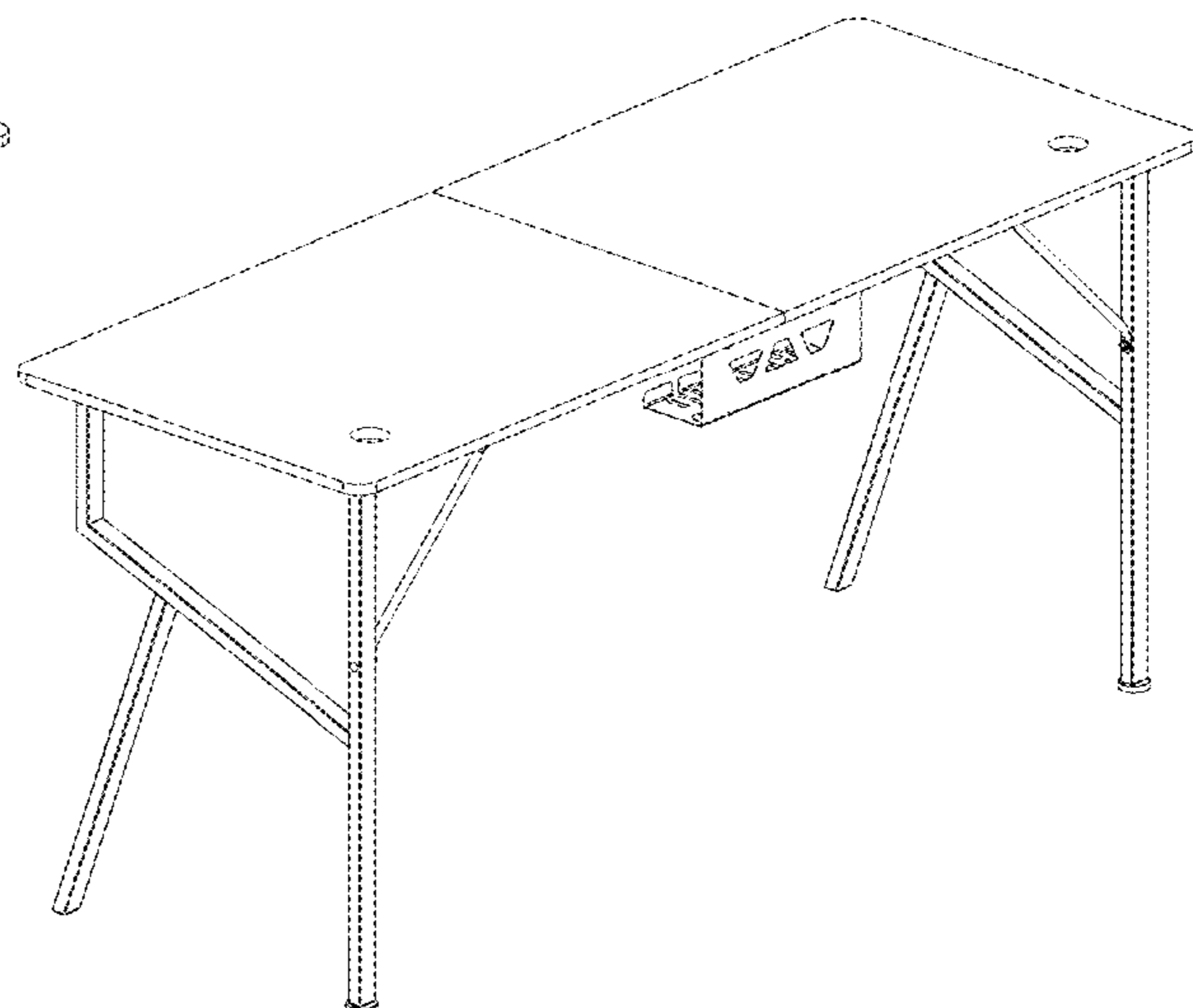
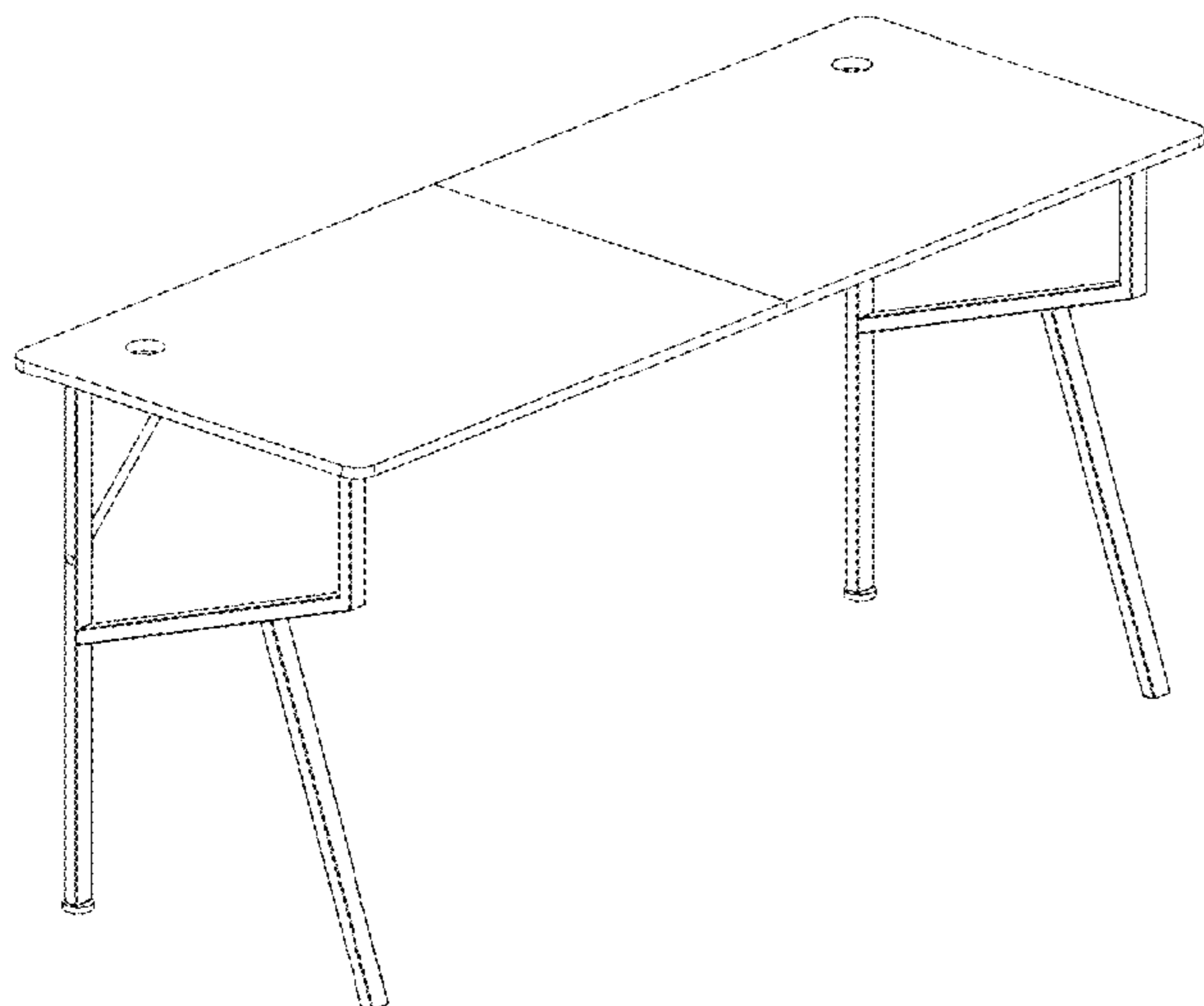
FIG. 6 is a rear side view thereof;

FIG. 7 is a left side view thereof; and,

FIG. 8 is a right side view thereof.

The broken line portion of the figure drawings is included to show portions of the article that forms no part of the claimed design.

**1 Claim, 8 Drawing Sheets**



(56)

**References Cited**

U.S. PATENT DOCUMENTS

D876,861 S \* 3/2020 Pei ..... D6/656.17  
D878,814 S \* 3/2020 Peng ..... D6/656  
D878,815 S \* 3/2020 Peng ..... D6/656  
D882,988 S \* 5/2020 Hu ..... D6/656.17  
D889,169 S \* 7/2020 Hu ..... D6/656.16  
2018/0206630 A1\* 7/2018 Chang ..... A47B 13/081

OTHER PUBLICATIONS

Tribesigns, posted at Amazon.com, posted on Aug. 27, 2020, site visited Apr. 21, 2021. online, available from internet: <https://www.amazon.com/Tribesigns-Computer-Controller-Headphone-Boyfriend/dp/B08GSKM79N> (Year: 2020).\*

\* cited by examiner

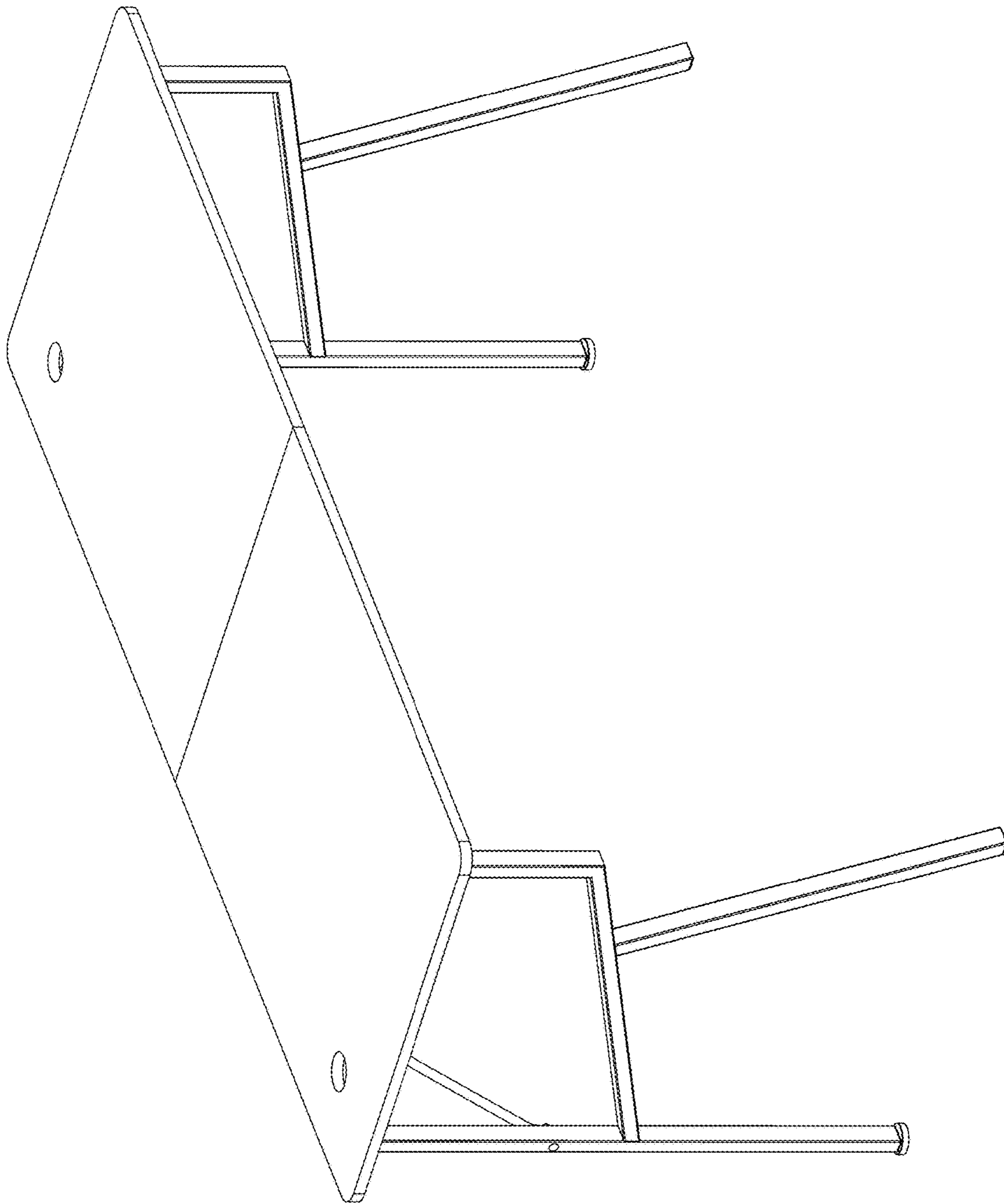


FIG.1

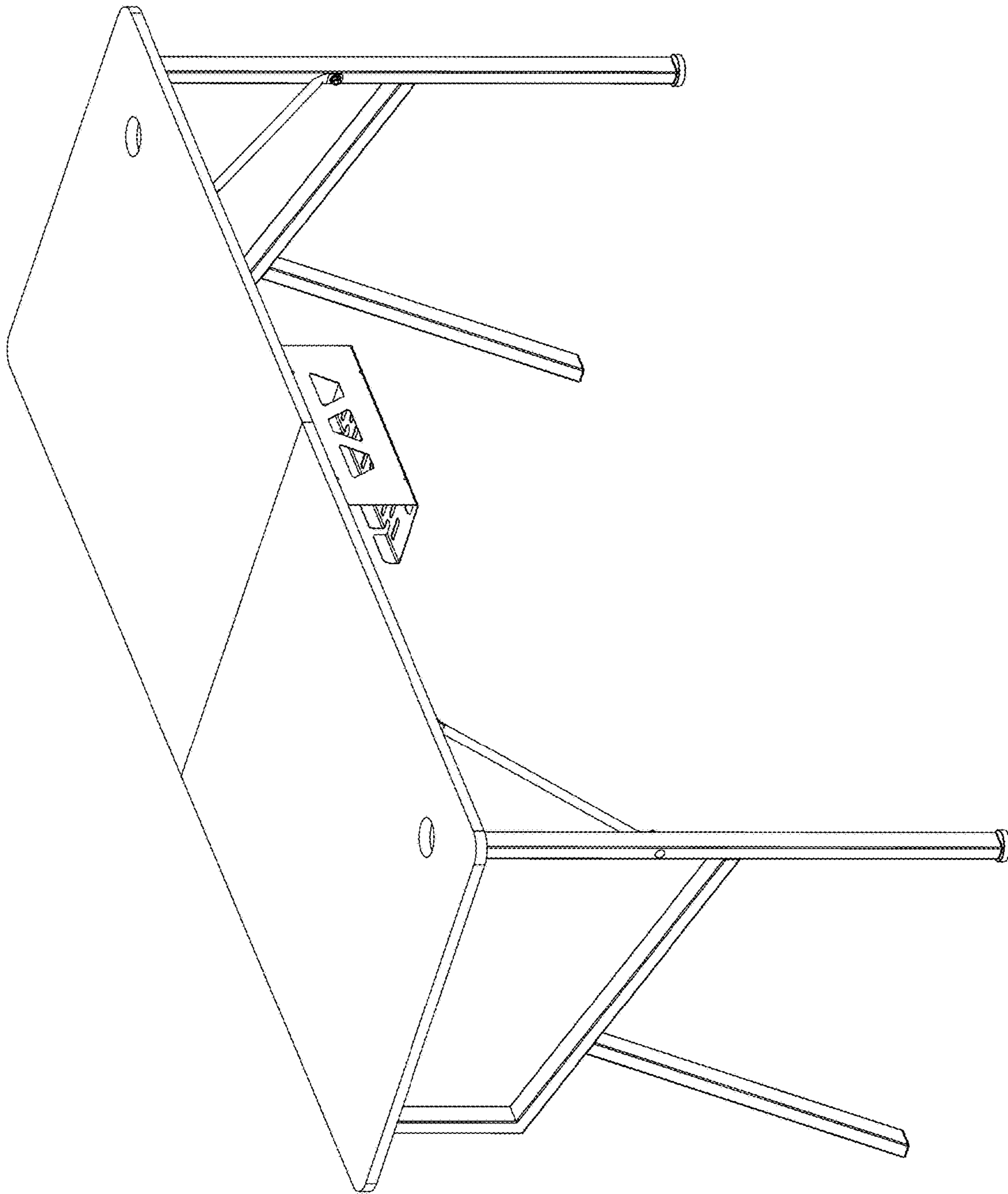


FIG.2

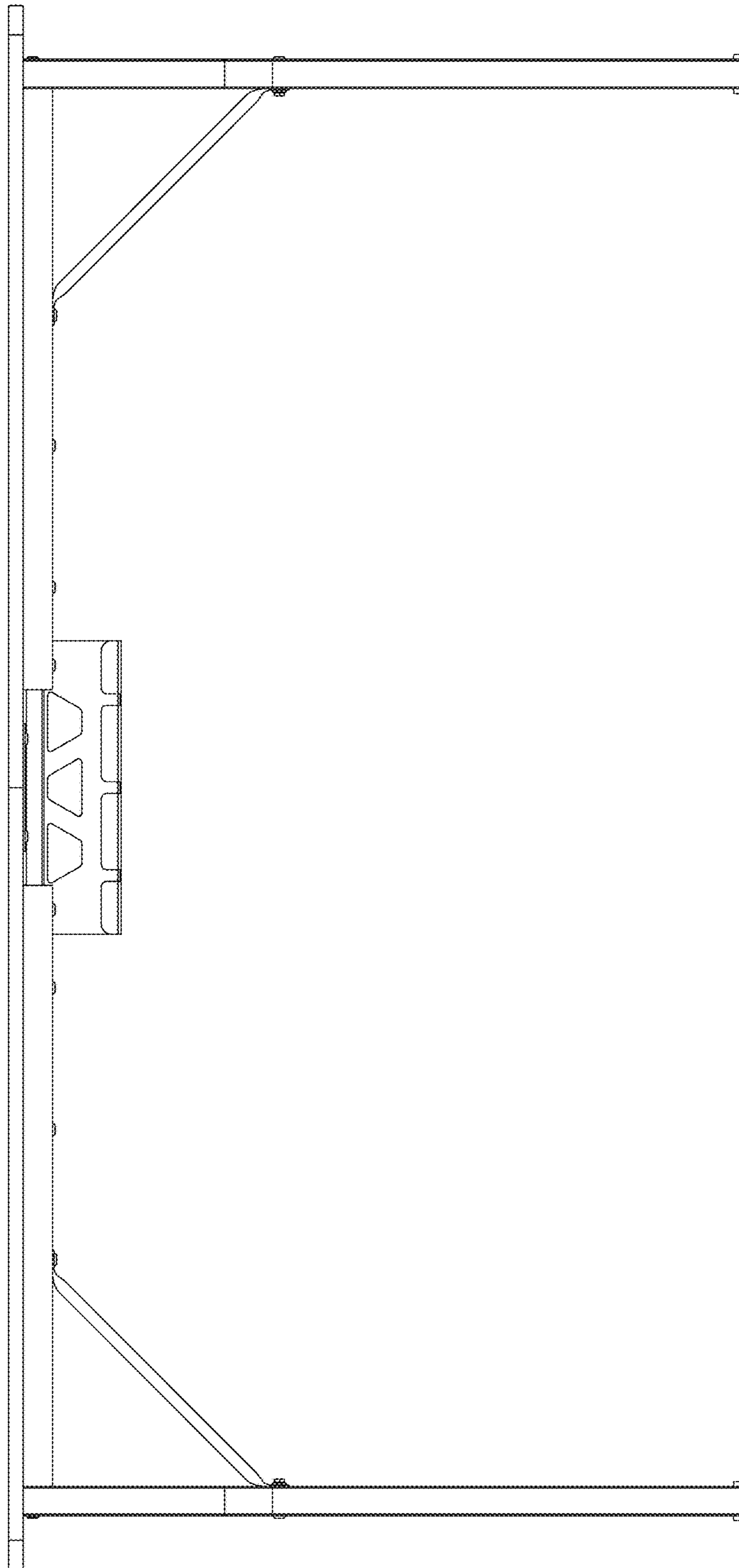


FIG.3



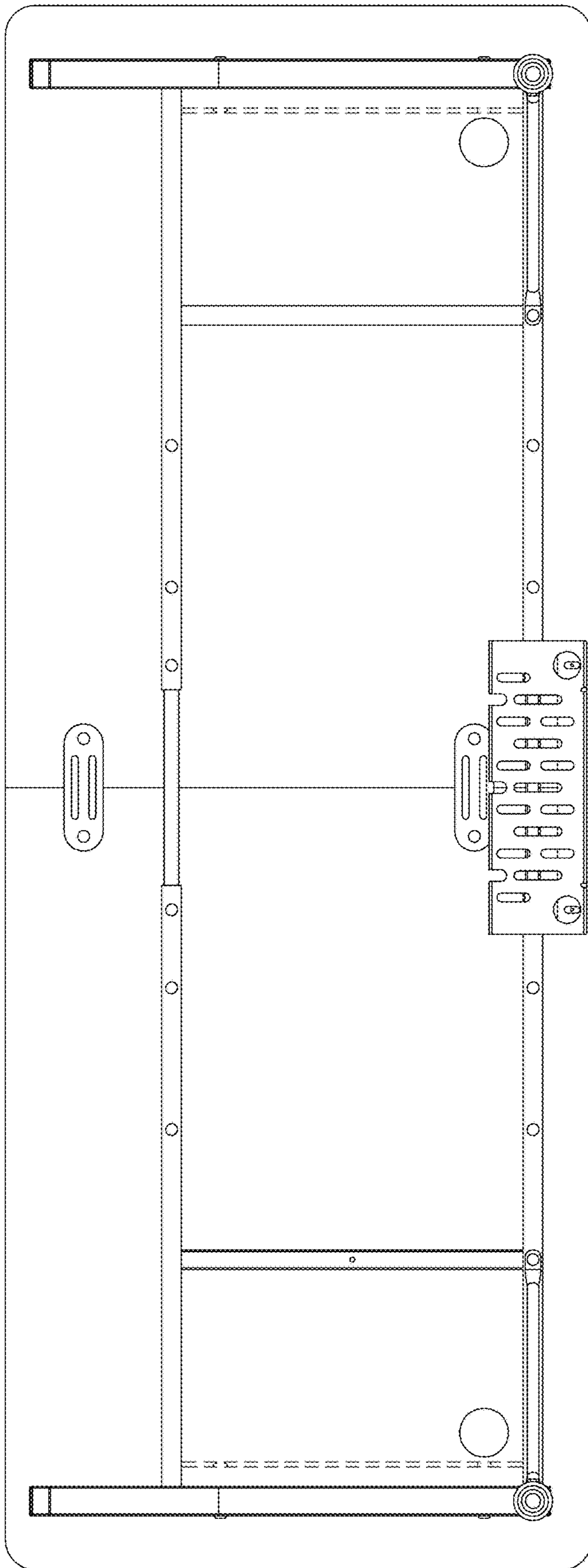


FIG.4

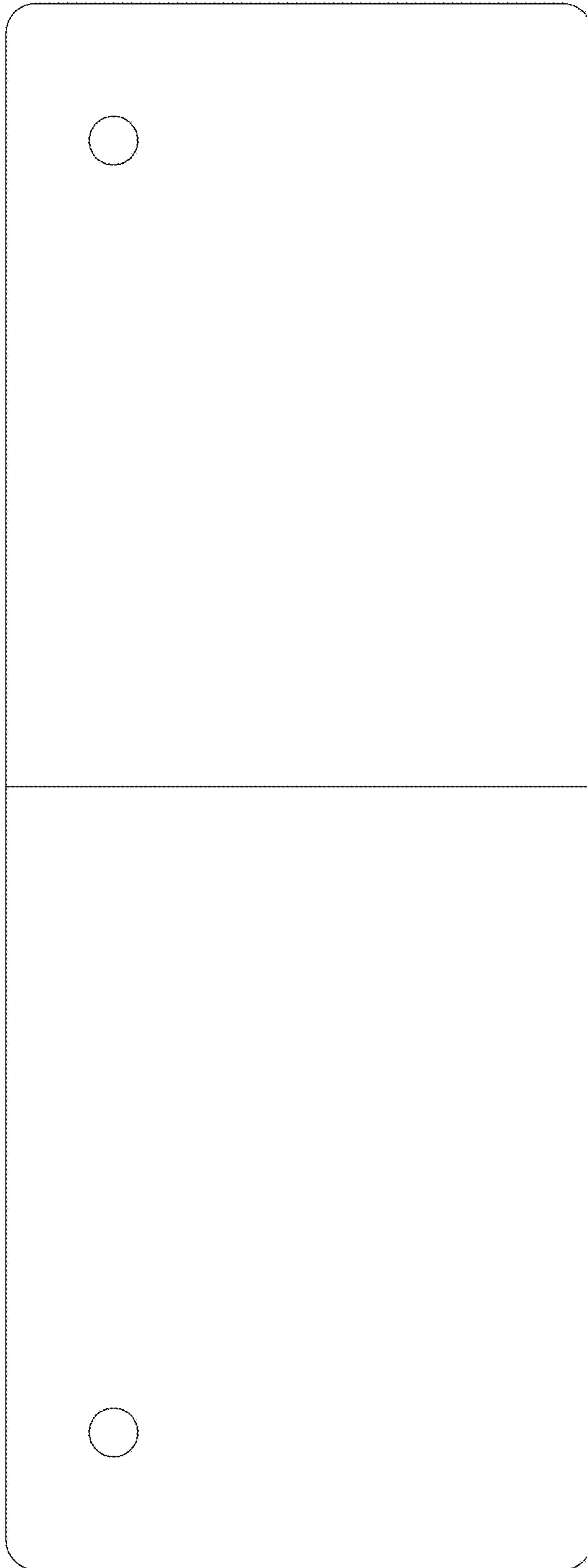


FIG.5

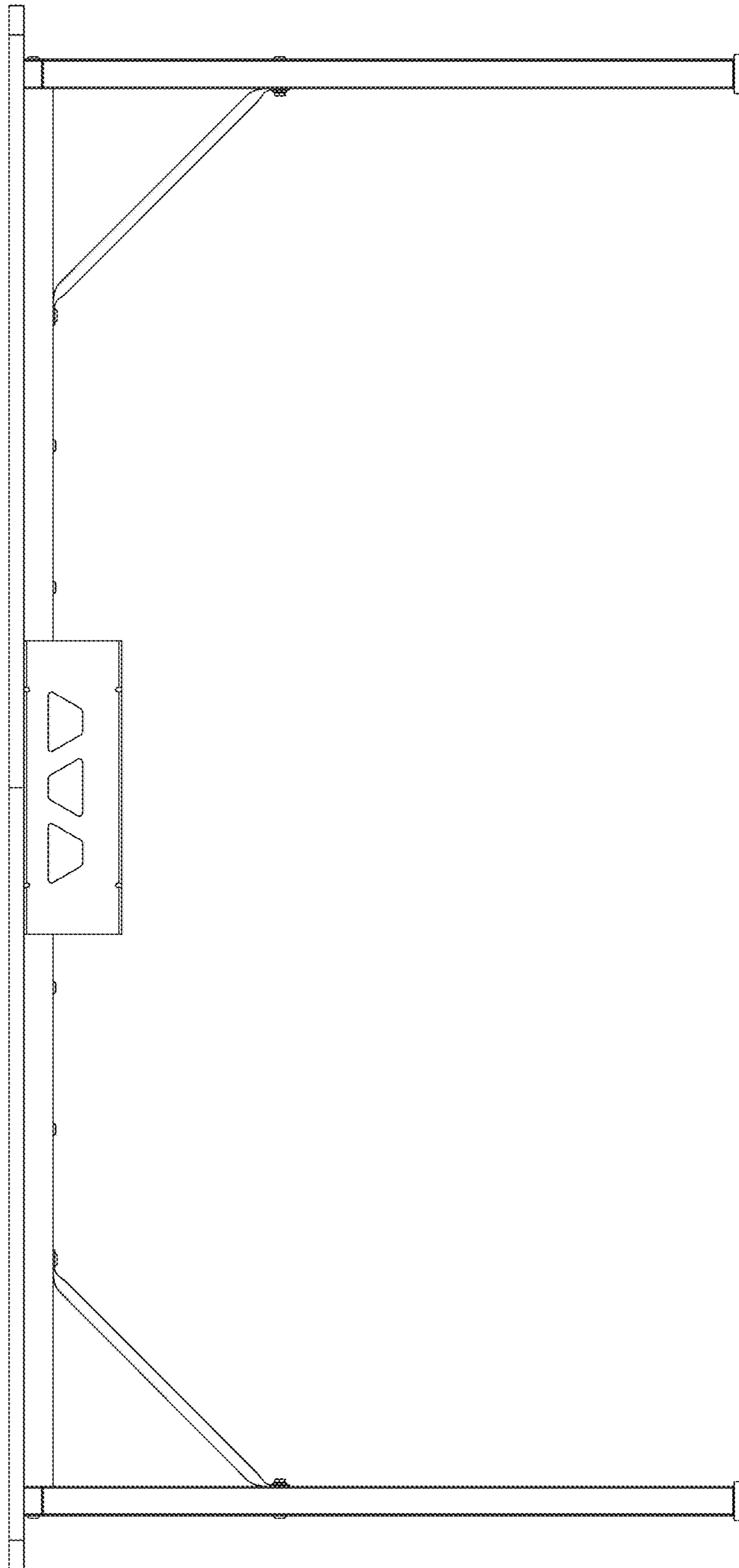


FIG.6



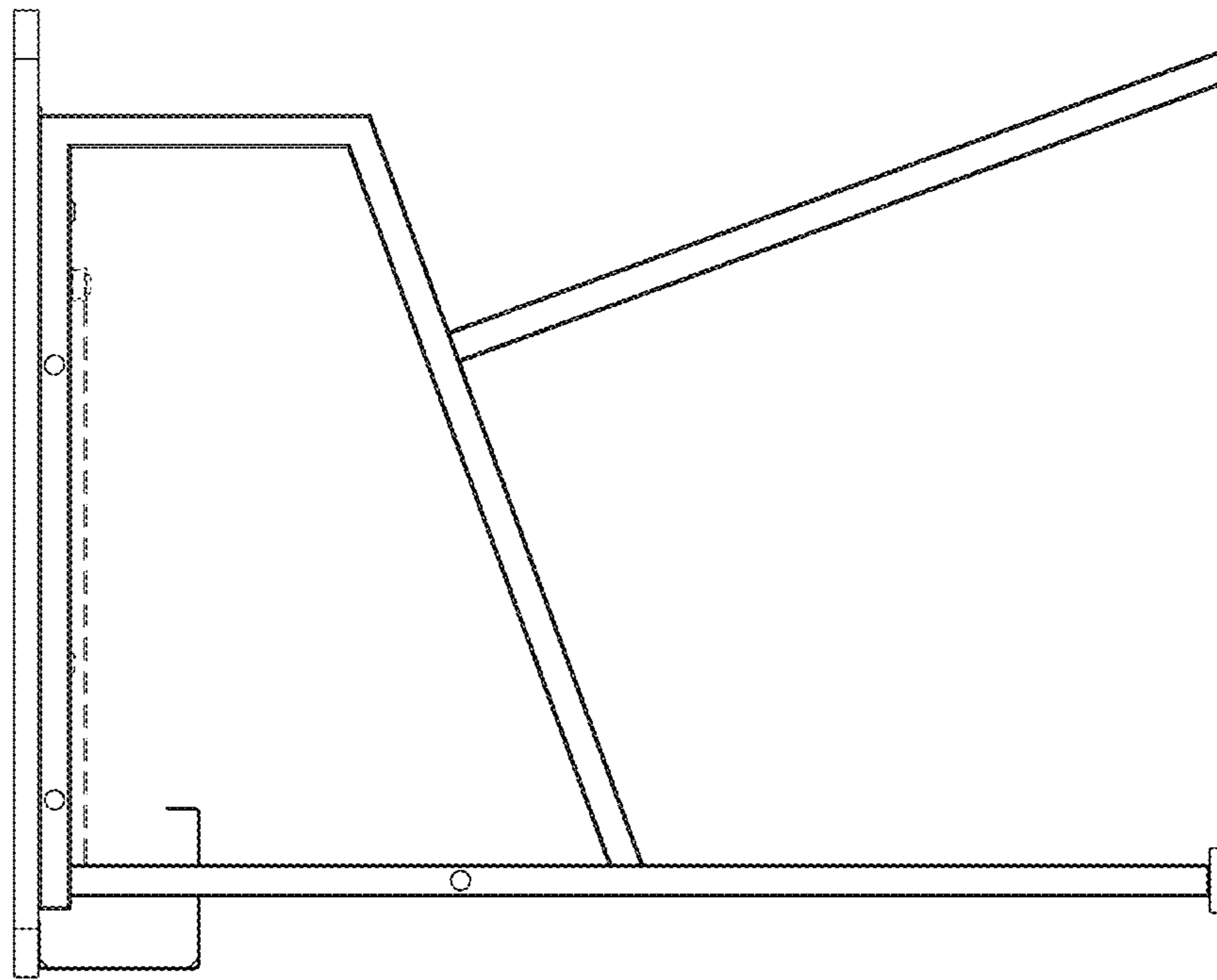


FIG. 7

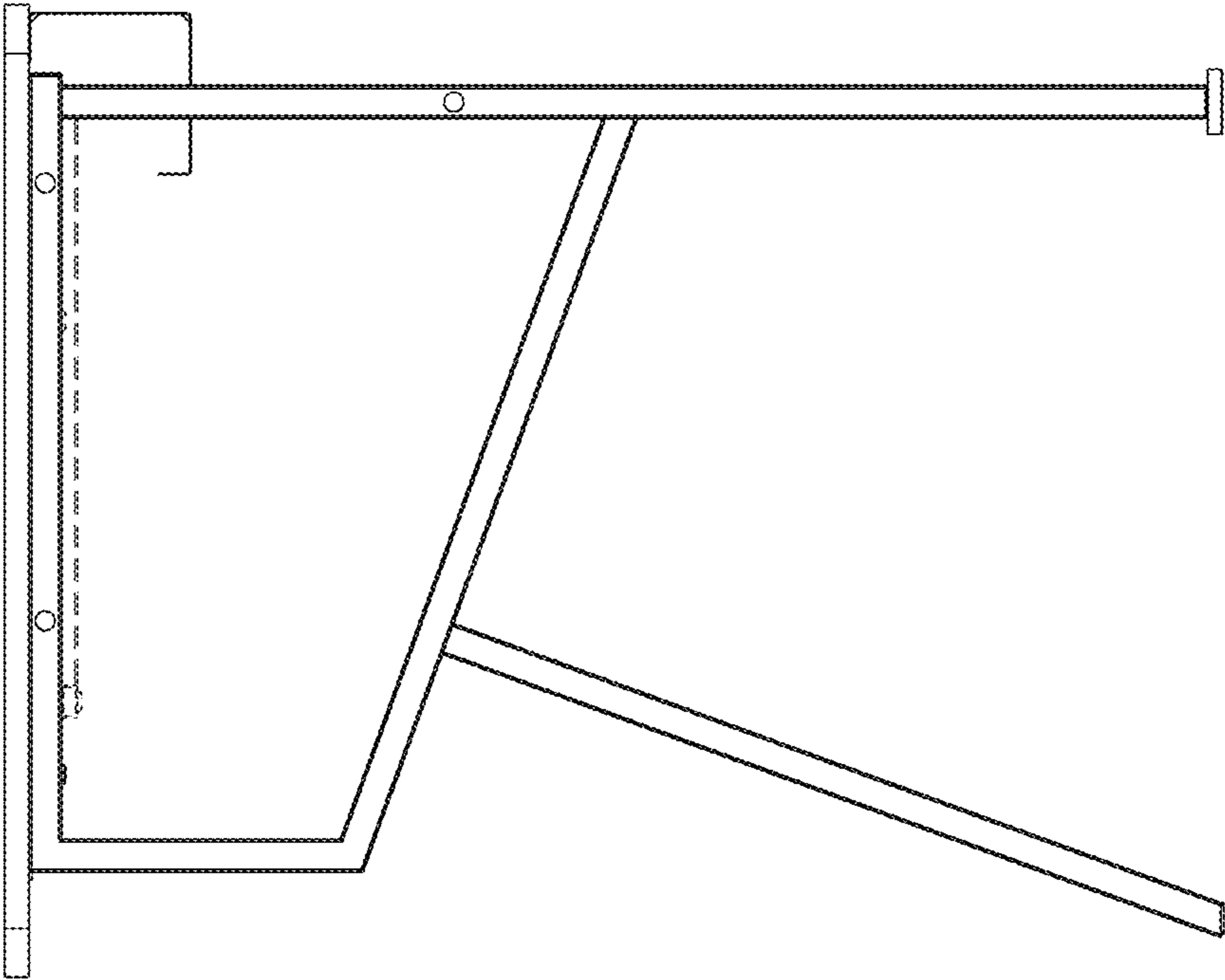


FIG.8