



US00D931658S

(12) **United States Design Patent** (10) **Patent No.:** **US D931,658 S**
Xing (45) **Date of Patent:** **** Sep. 28, 2021**

(54) **HEIGHT ADJUSTABLE DESK** D864,619 S * 10/2019 Hu A47B 21/02
D6/655
(71) Applicant: **Ningbo Kaixin Exhibition Equipment** D882,986 S 5/2020 Knapp et al.
Co., Ltd., Zhejiang (CN) D882,987 S * 5/2020 Hu A47B 3/02
D6/656
(72) Inventor: **Lili Xing, Zhejiang (CN)** D889,885 S 7/2020 Johnson et al.
2018/0103752 A1* 4/2018 Zhong A47B 3/02
2018/0146775 A1* 5/2018 You A47B 9/16
(73) Assignee: **Ningbo Kaixin Exhibition Equipment** 2018/0160799 A1* 6/2018 Westerg Rd A47B 21/02
Co., Ltd., Zhejiang (CN) 2020/0015584 A1* 1/2020 Fletcher-Price A47B 9/16

(**) Term: **15 Years**

* cited by examiner

(21) Appl. No.: **29/779,187**

Primary Examiner — Mary Ann Calabrese

(22) Filed: **Apr. 16, 2021**

(74) *Attorney, Agent, or Firm* — ScienBiziP, P.C.

(51) **LOC (13) Cl.** **06-03**

(57) **CLAIM**

(52) **U.S. Cl.**
USPC **D6/656**

The ornamental design for a height adjustable desk, as shown and described.

(58) **Field of Classification Search**
USPC D6/641, 642, 656, 656.1, 656.13, 656.14,
D6/656.16, 656.18
CPC .. A47B 3/00; A47B 3/002; A47B 7/00; A47B
9/00; A47B 9/06; A47B 9/16; A47B
2009/065; A47B 13/00; A47B 13/02;
A47B 13/04; A47B 13/06; A47B 13/08;
A47B 13/10; A47B 13/12; A47B 17/00;
A47B 21/00; A47B 21/02; A47B
2200/0001; A47B 2200/0011; A47B
2200/002; A47B 2200/0035; A47B
2200/0037; A47B 2200/004; A47B
2200/0066

DESCRIPTION

See application file for complete search history.

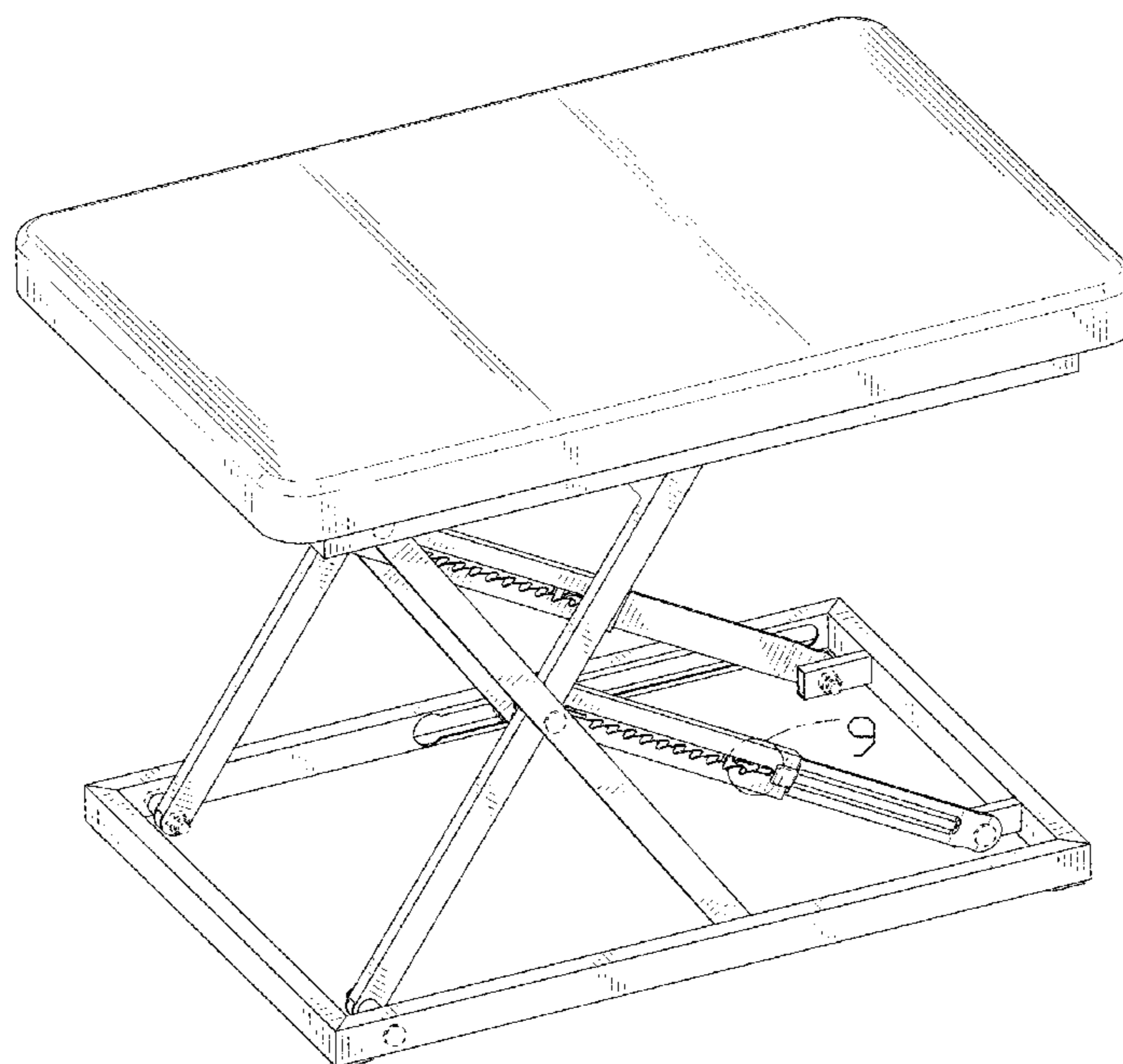
FIG. 1 is a front, right, and top perspective view of a height adjustable desk, showing my design.
FIG. 2 is a rear, left, and bottom perspective view thereof.
FIG. 3 is a left side elevation view thereof.
FIG. 4 is a right side elevation view thereof.
FIG. 5 is a front elevation view thereof.
FIG. 6 is a rear elevation view thereof.
FIG. 7 is a top plan view thereof.
FIG. 8 is a bottom plan view thereof.
FIG. 9 is an enlarged detailed view taken from the area labeled 9 in FIG. 1 showing a clasp; and,
FIG. 10 is an enlarged detailed view taken from the area labeled 10 in FIG. 2 showing a mechanical spring.
The broken lines shown in the drawings are included for the purpose of illustrating portions of the height adjustable desk that form no part of the claimed design.

(56) **References Cited**

U.S. PATENT DOCUMENTS

9,049,923 B1 * 6/2015 Delagey A47B 9/18
D859,037 S * 9/2019 Martin A47B 9/18
D6/656

1 Claim, 10 Drawing Sheets



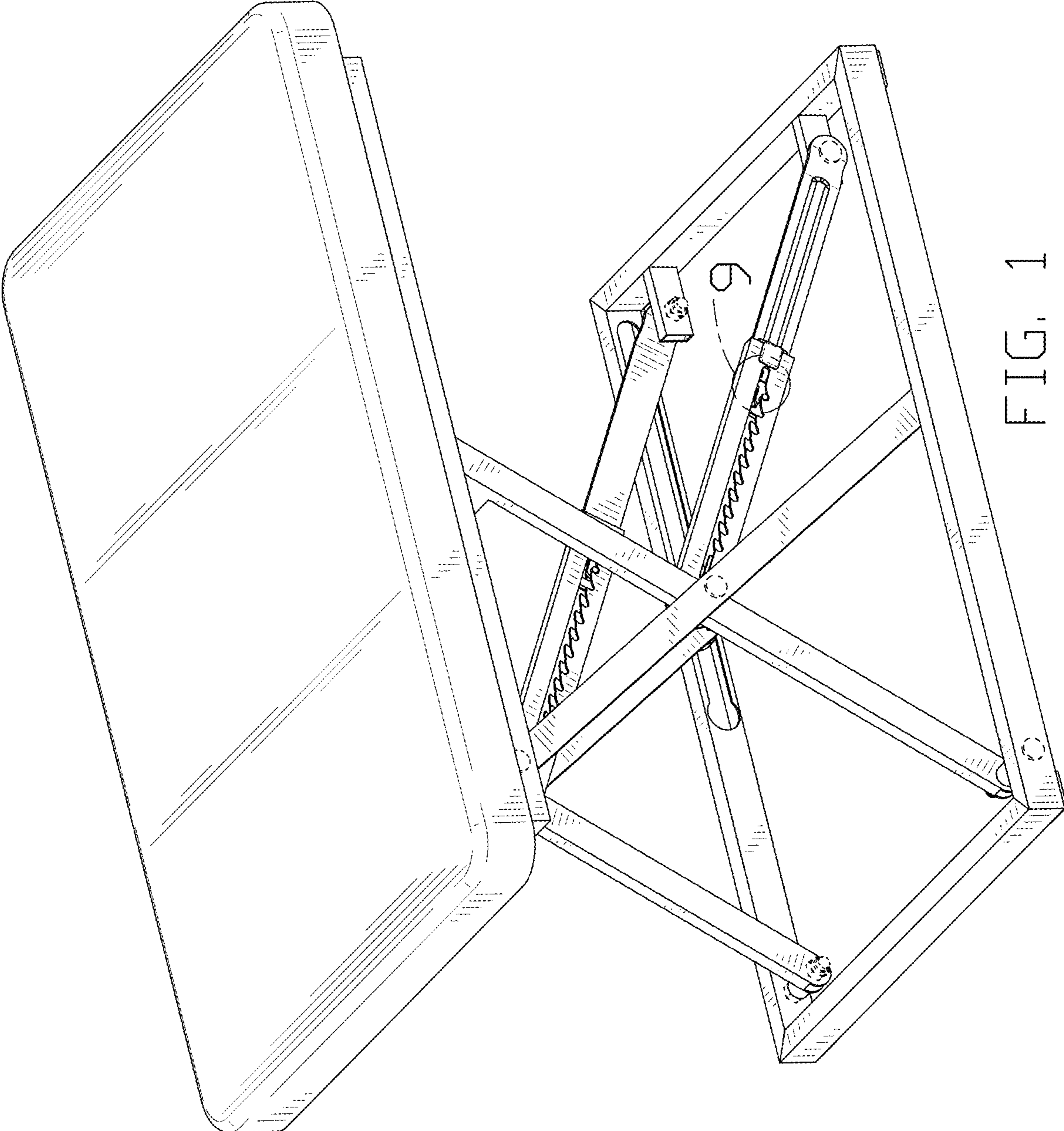


FIG. 1

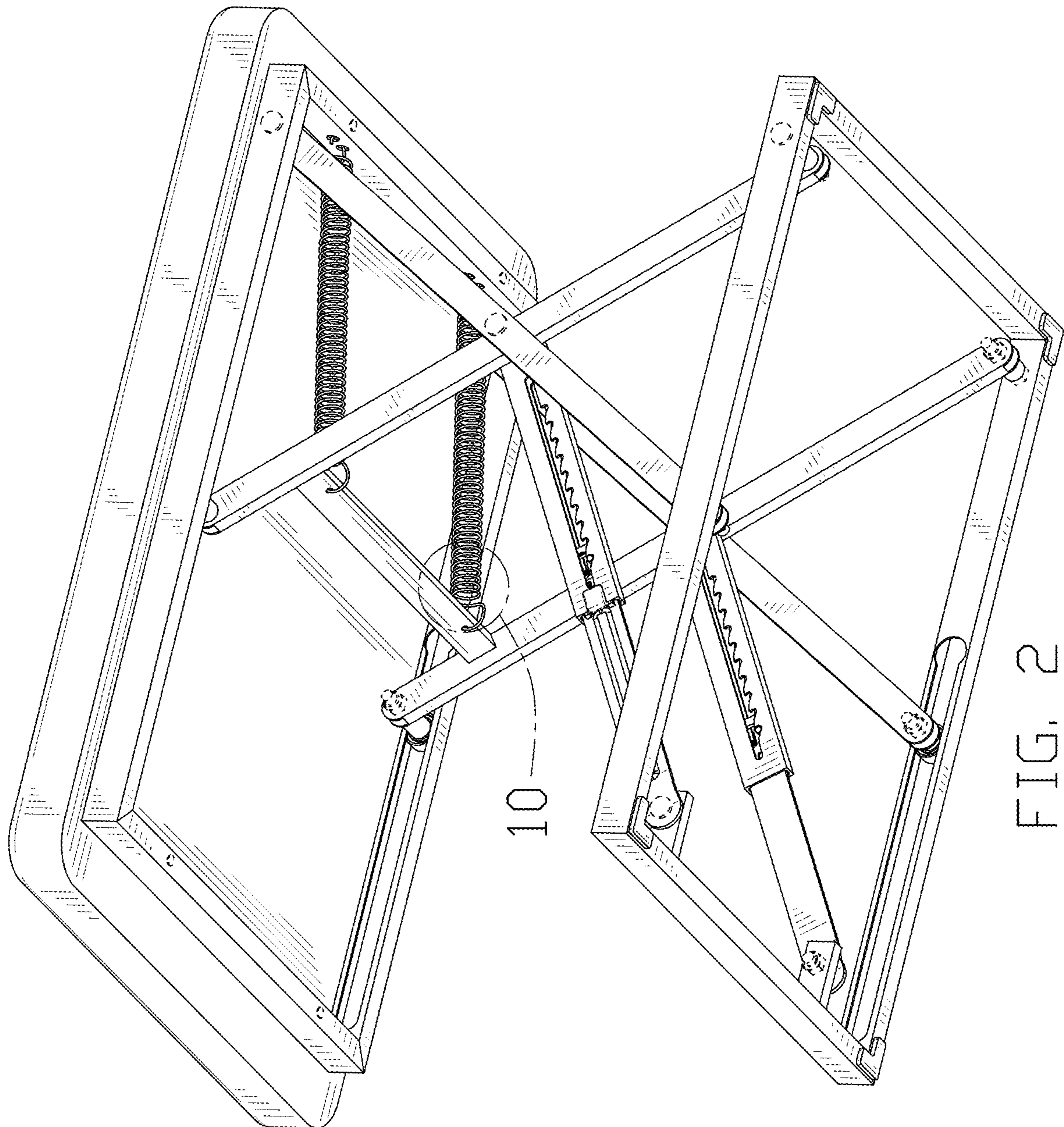


FIG. 2

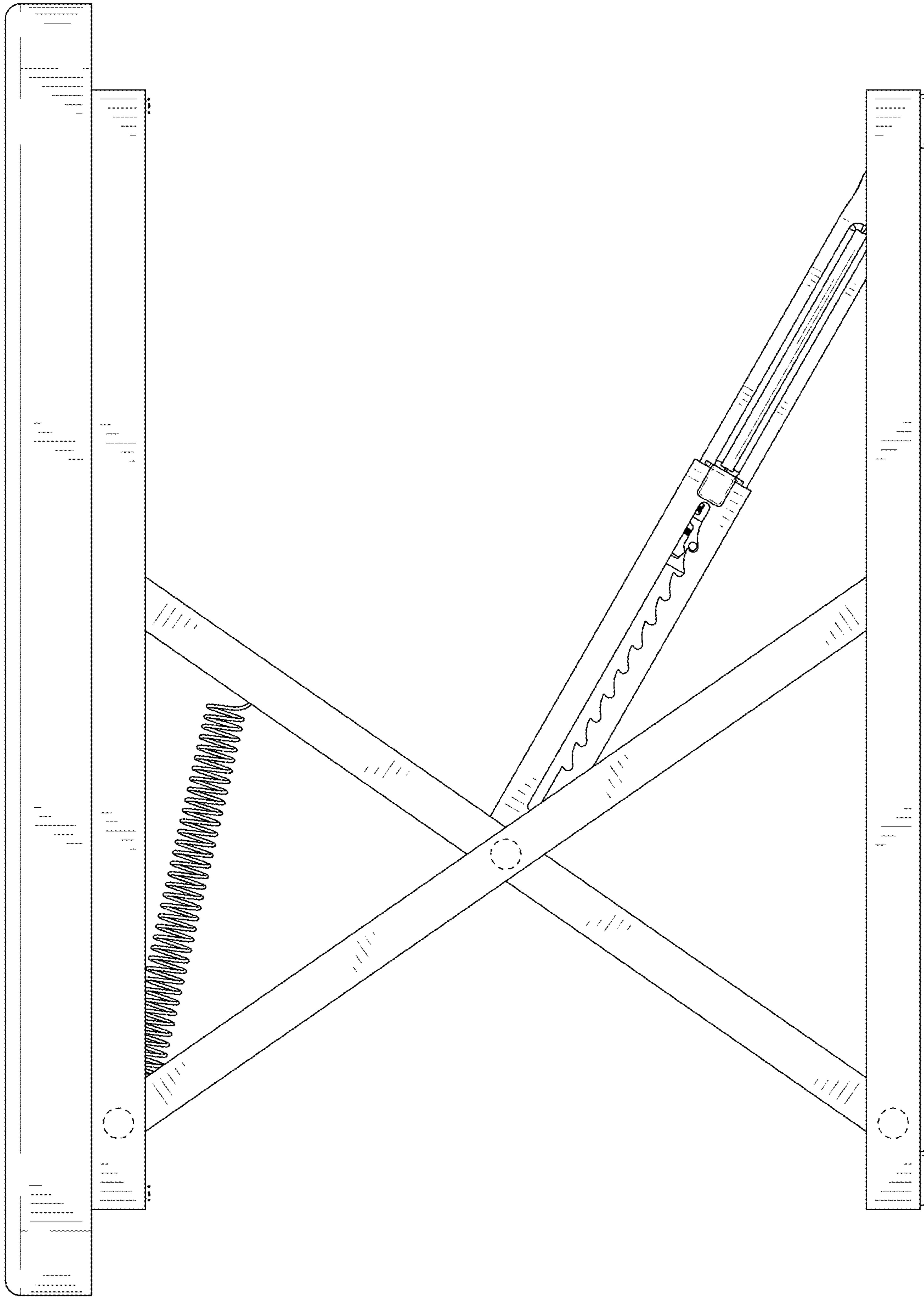


FIG. 3

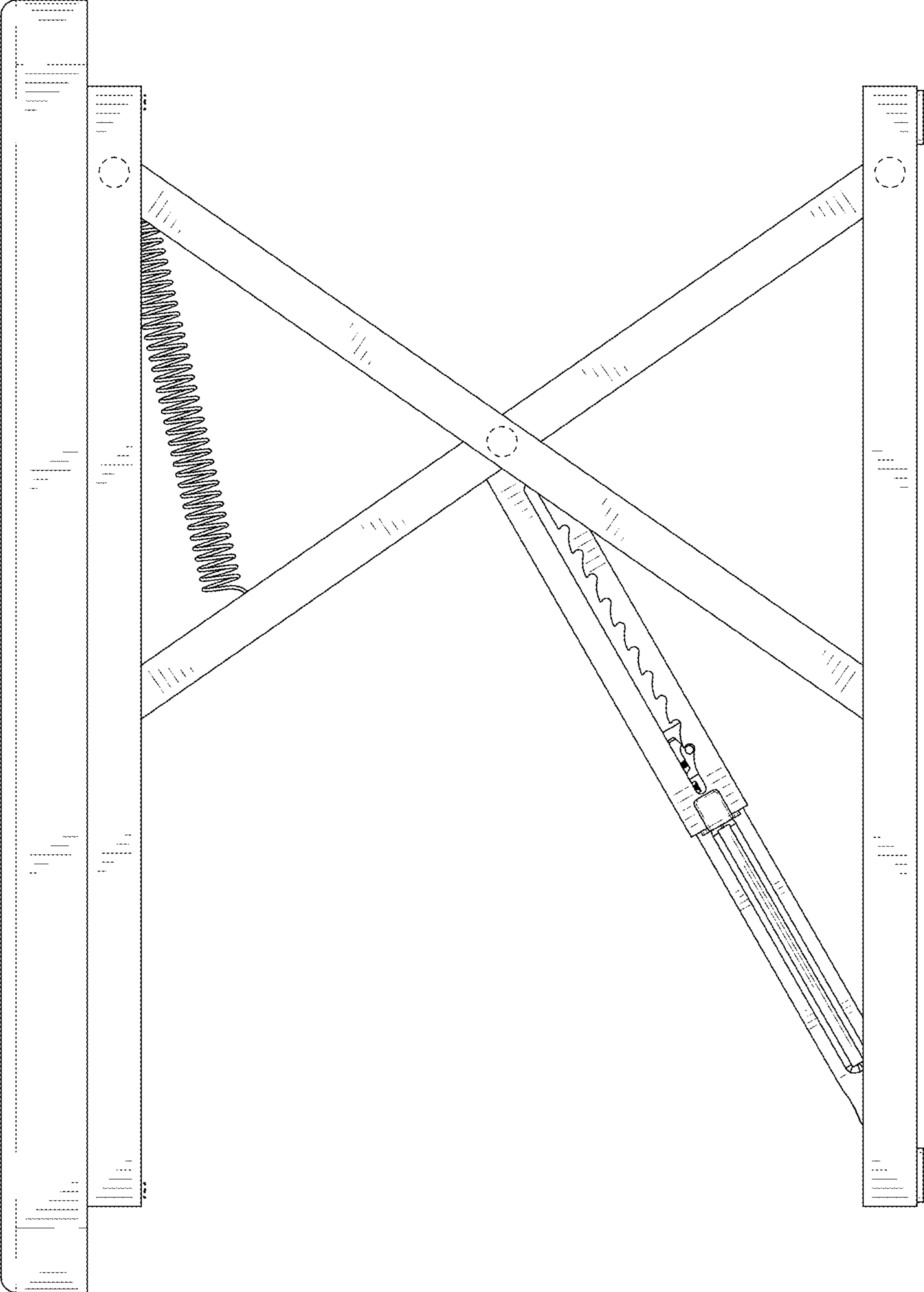


FIG. 4

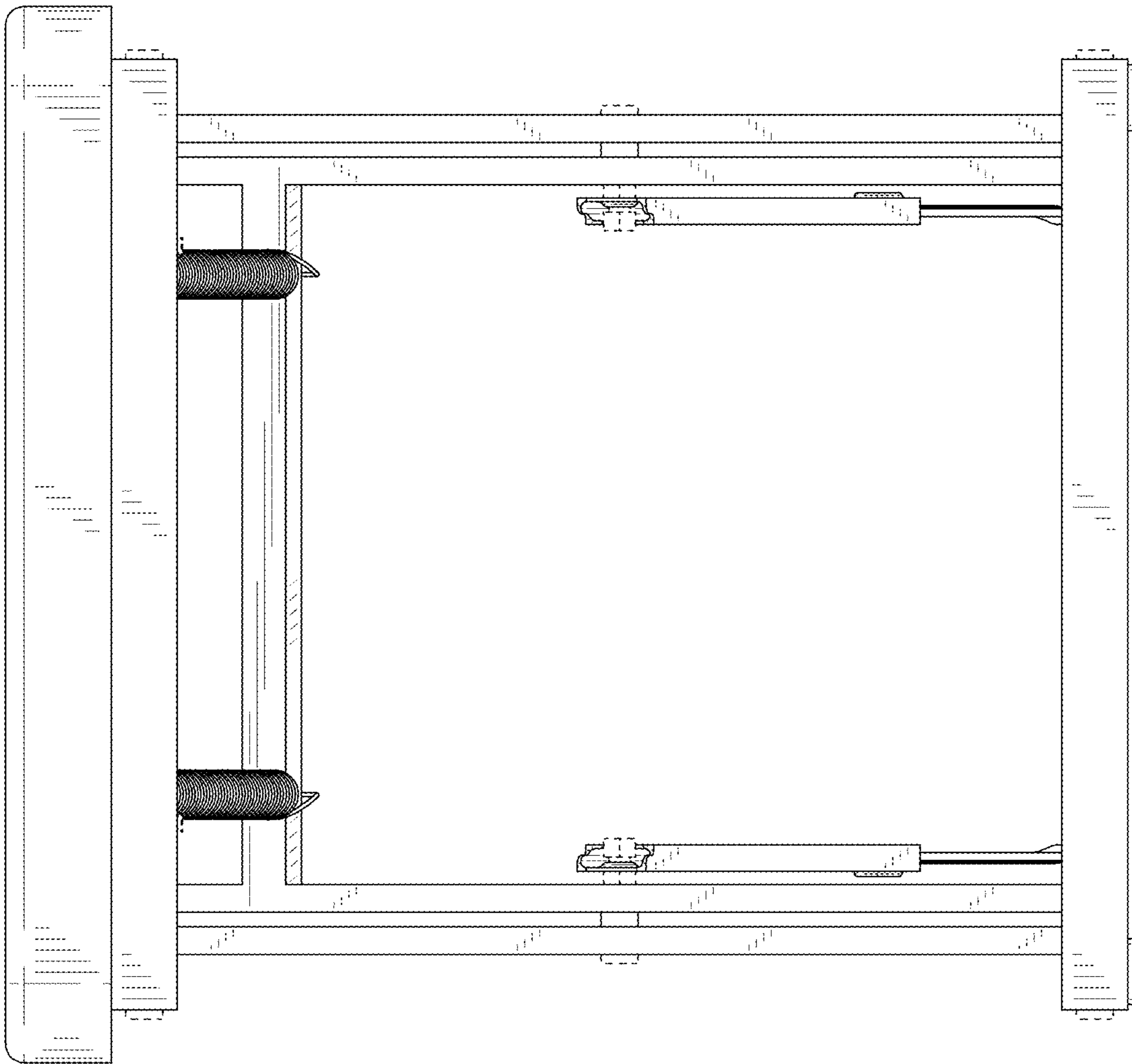


FIG. 5

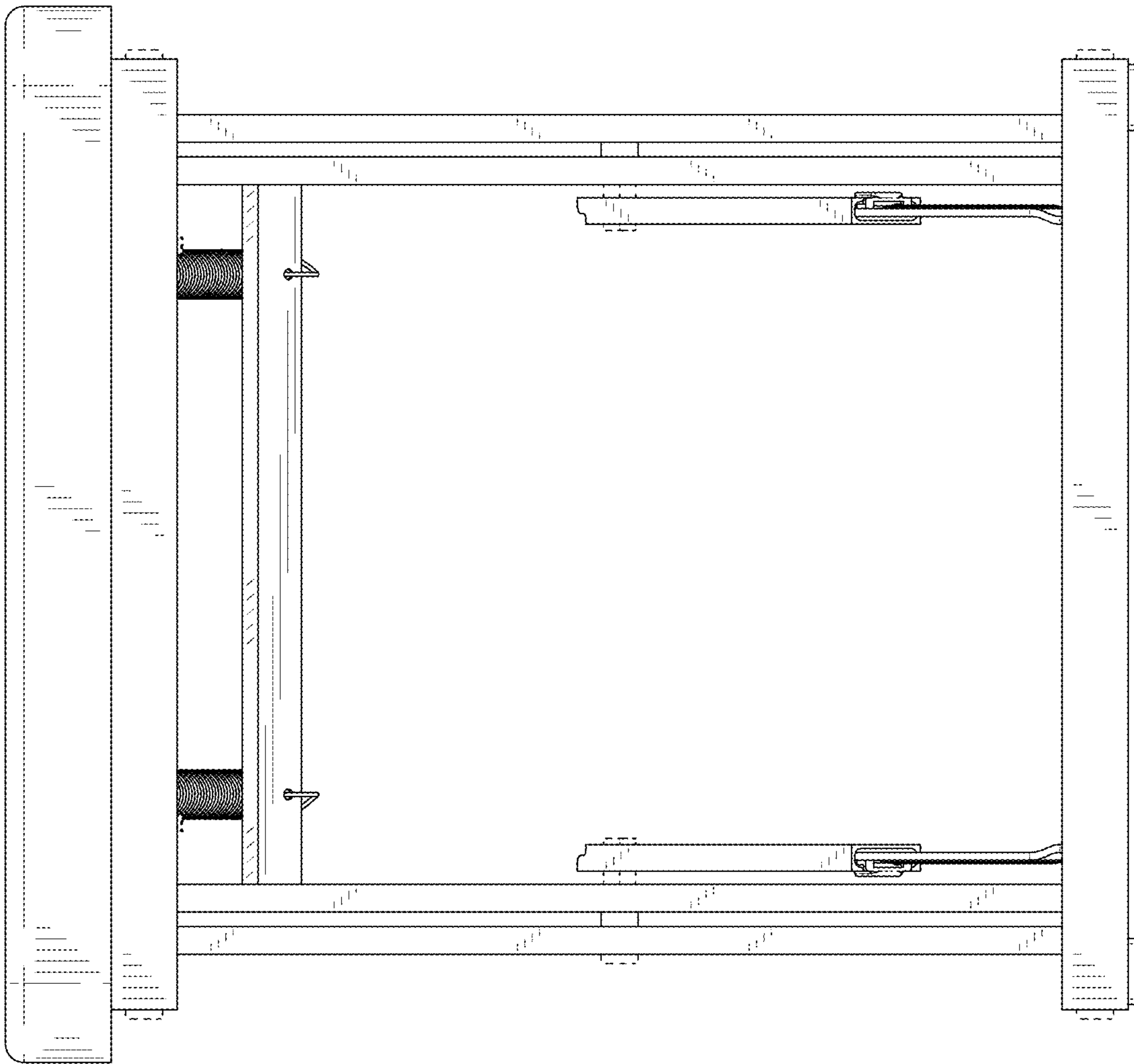


FIG. 6

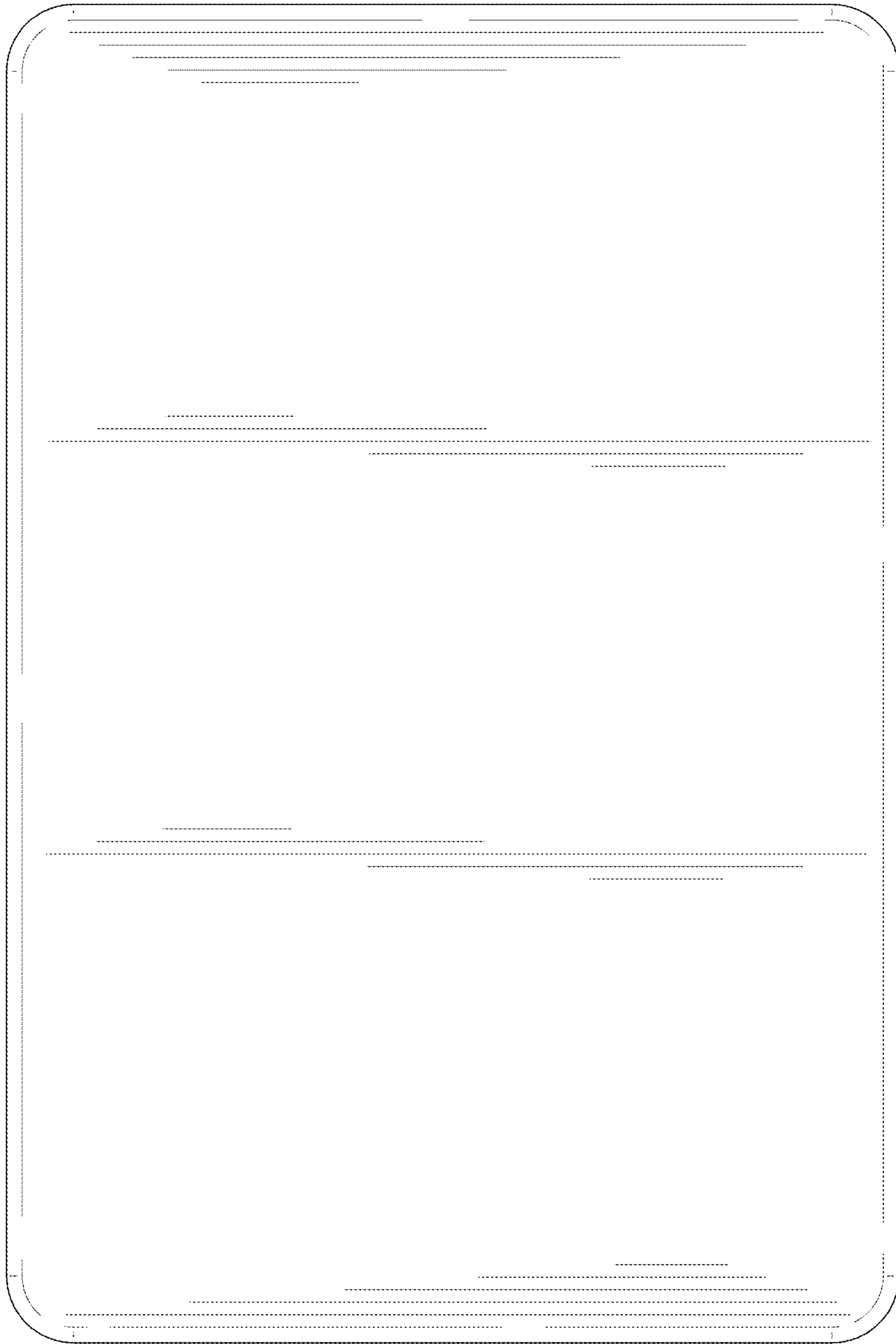


FIG. 7

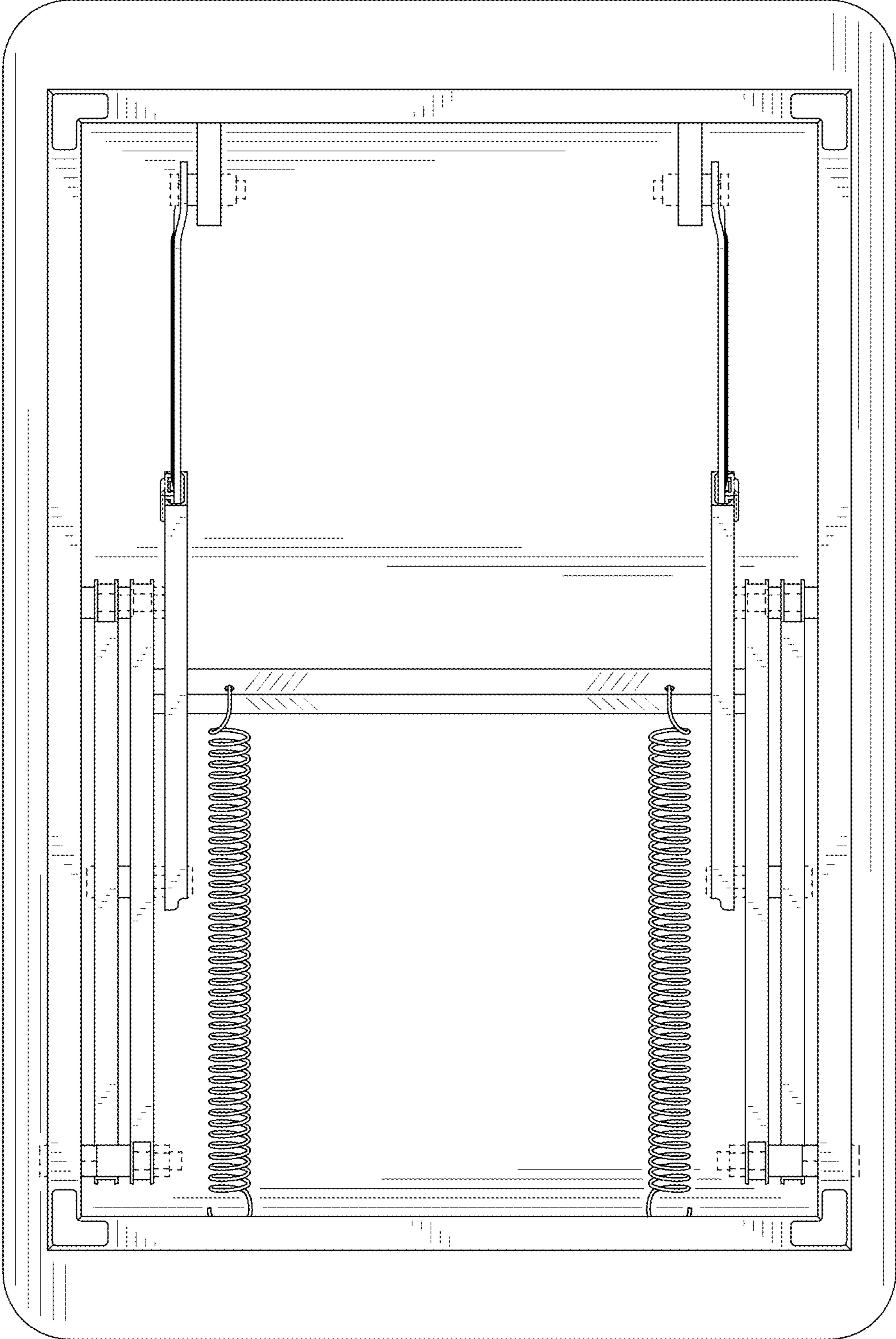


FIG. 8

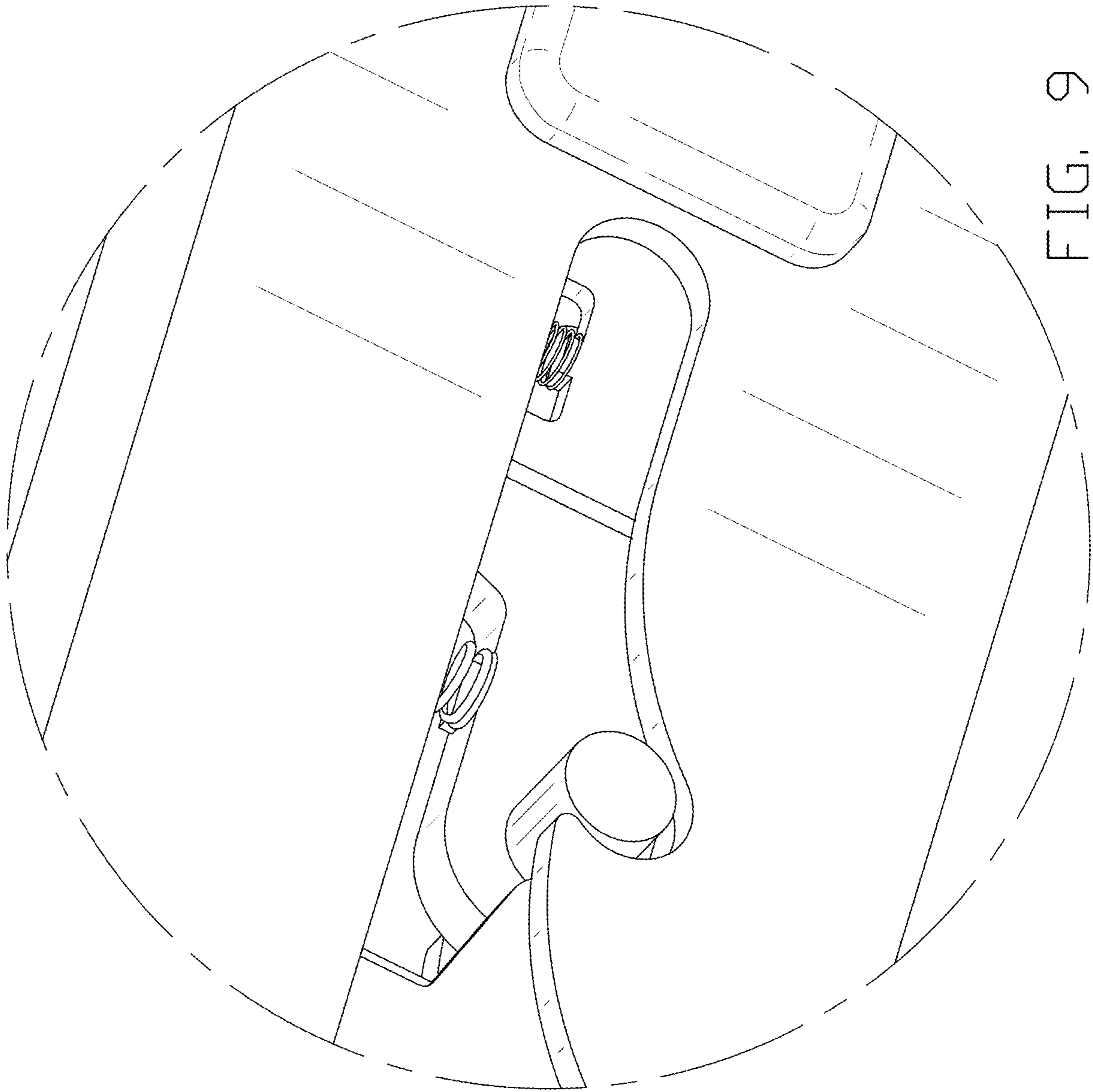


FIG. 9

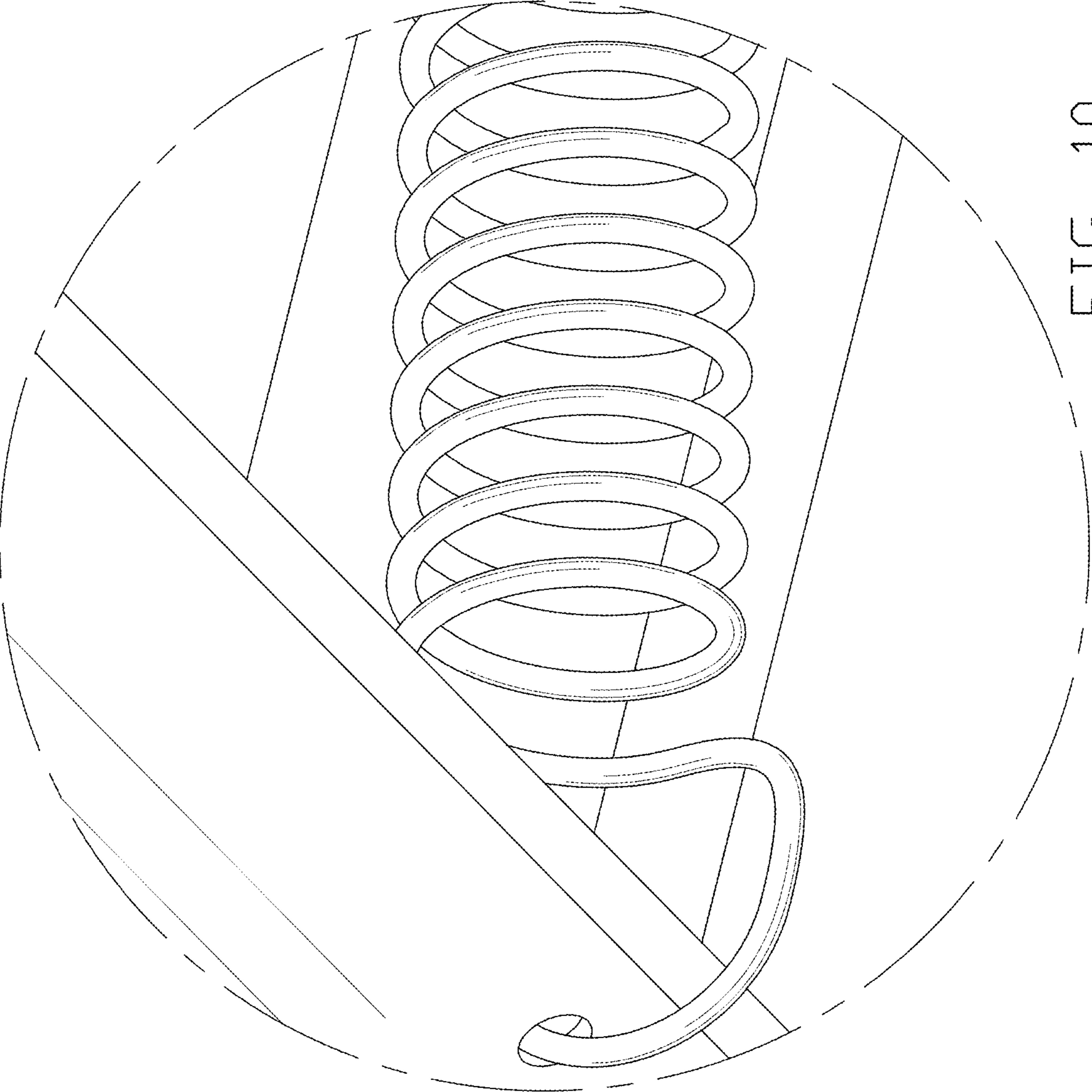


FIG. 10