



US00D931657S

(12) **United States Design Patent** (10) **Patent No.:** **US D931,657 S**
He (45) **Date of Patent:** **** Sep. 28, 2021**

(54) **COMPUTER DESK**

(71) Applicant: **Xiuying He**, Hunan Province (CN)

(72) Inventor: **Xiuying He**, Hunan Province (CN)

(**) Term: **15 Years**

(21) Appl. No.: **29/752,468**

(22) Filed: **Sep. 28, 2020**

(51) **LOC (13) Cl.** **06-03**

(52) **U.S. Cl.**
USPC **D6/653**

(58) **Field of Classification Search**

USPC D6/641, 642.653, 653.1, 656.17, 651,
D6/651.1, 651.2, 652, 652.1, 652.2, 654,
D6/654.11, 654.17, 654.18, 654.19, 655,
D6/655.1, 655.2, 655.11, 655.12,
D6/655.17-655.19

CPC A47B 7/00; A47B 13/00; A47B 13/02;
A47B 13/023; A47B 13/04; A47B 13/06;
A47B 13/08; A47B 13/10; A47B 13/12;
A47B 2013/024; A47B 17/00; A47B
17/003; A47B 17/006; A47B 21/00; A47B
2200/0001; A47B 2200/0002; A47B
2200/0003; A47B 2200/0004; A47B
2200/0011; A47B 2200/002; A47B
2200/0021; A47B 2200/0066

See application file for complete search history.

(56) **References Cited**

U.S. PATENT DOCUMENTS

D191,209 S * 8/1961 Pallsek D6/652
D258,787 S * 4/1981 Verdesca D6/652

D270,025 S * 8/1983 Koves D6/652
D271,260 S * 11/1983 Turner D6/647
D339,698 S * 9/1993 Ball D6/652
D427,804 S * 7/2000 Olson D6/653
D465,941 S * 11/2002 Ko D6/653
D793,127 S 8/2017 Zhuravlev

* cited by examiner

Primary Examiner — Mary Ann Calabrese

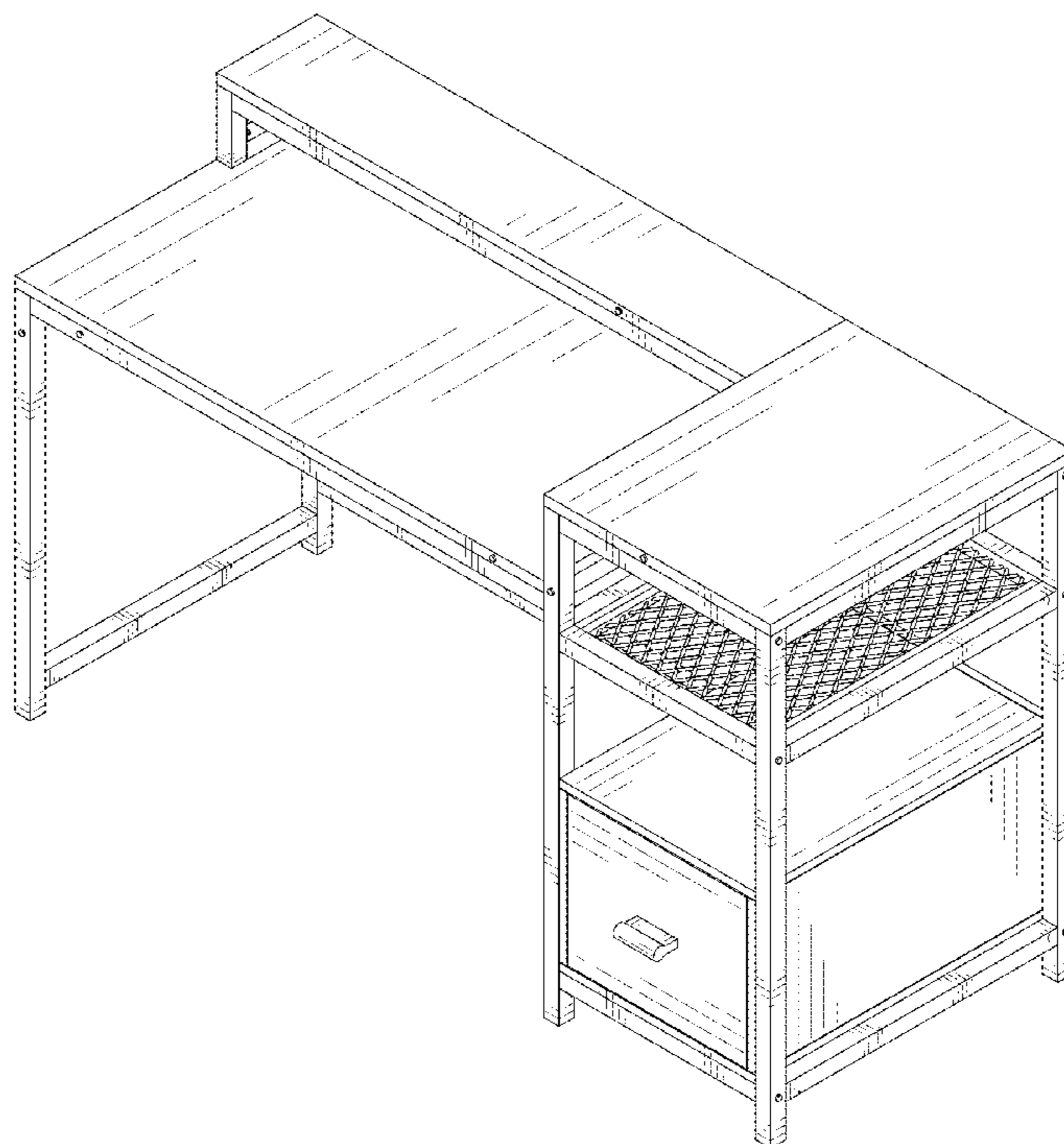
(57) **CLAIM**

The ornamental design for a computer desk, as shown and described.

DESCRIPTION

FIG. 1 is a front and top perspective view of a computer desk, showing my new design;
FIG. 2 is a rear and bottom perspective view thereof;
FIG. 3 is a front elevational view thereof;
FIG. 4 is a rear elevational view thereof;
FIG. 5 is a left side elevational view thereof;
FIG. 6 is a right side elevational view thereof;
FIG. 7 is a top plan view thereof;
FIG. 8 is a bottom plan view thereof; and,
FIG. 9 is a perspective view thereof, showing a drawer of the computer desk in a pull out position.
The broken lines in the figures illustrate portions of the computer desk that form no part of the claimed design.

1 Claim, 9 Drawing Sheets



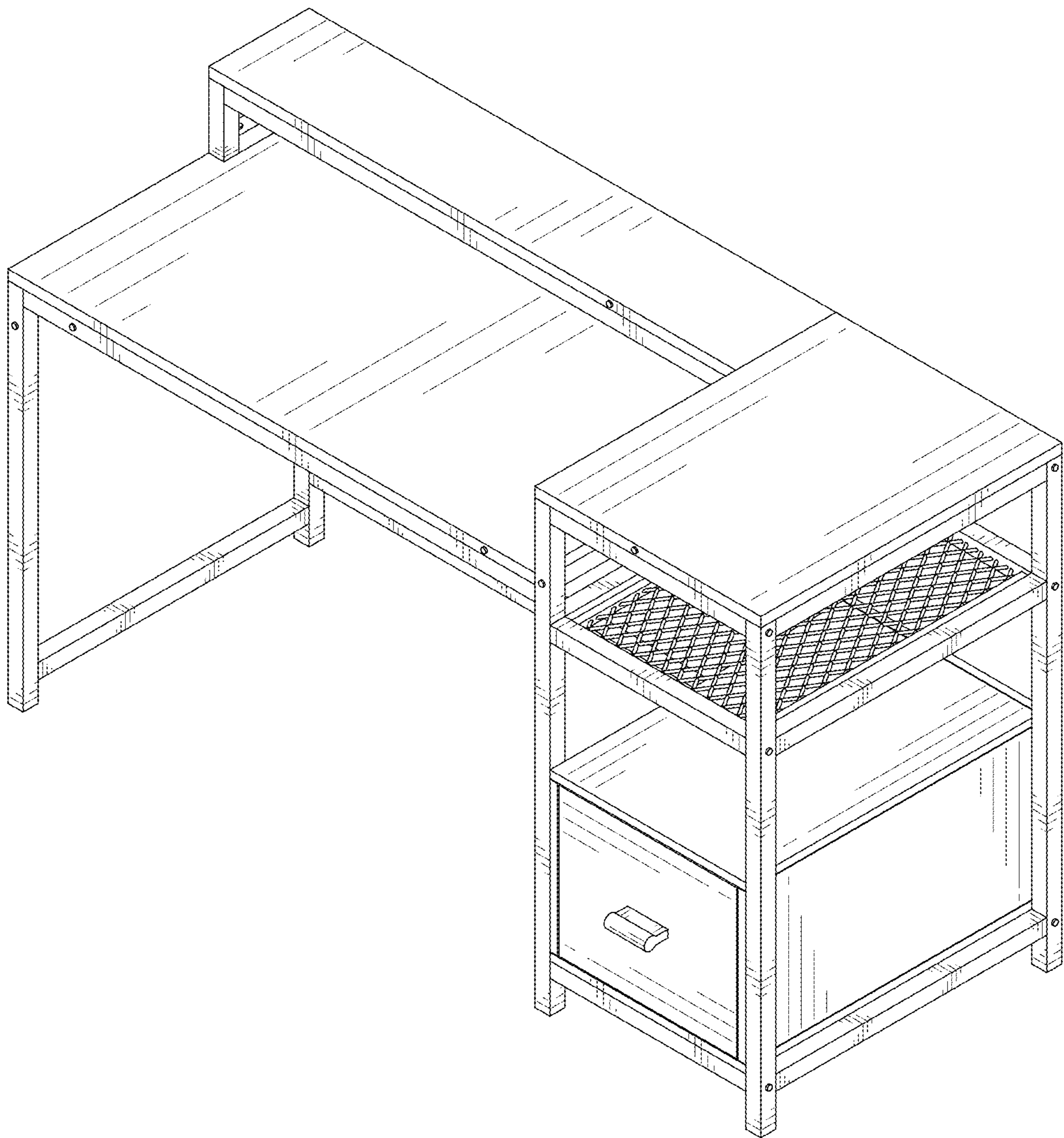


FIG. 1

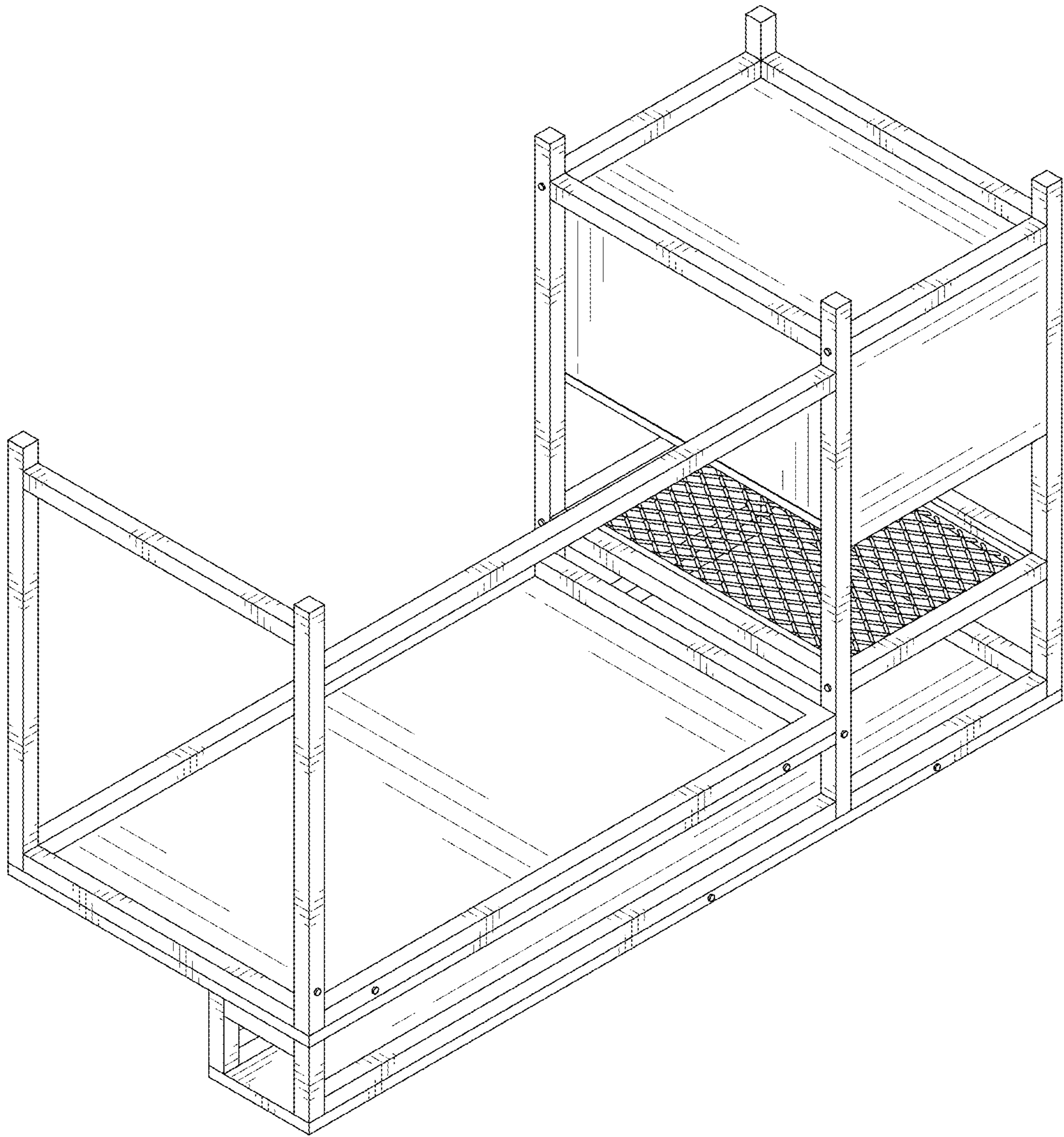


FIG. 2

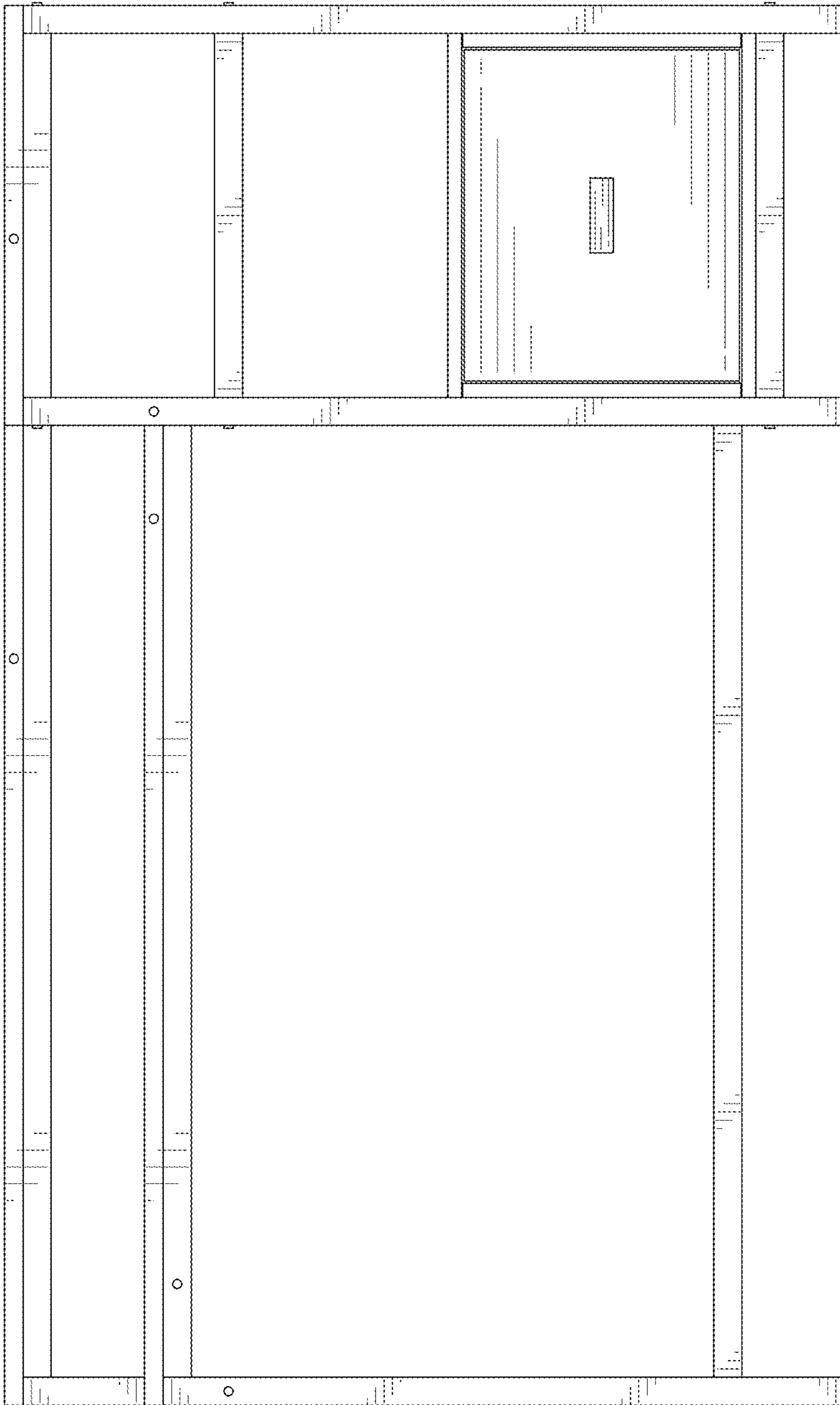


FIG. 3

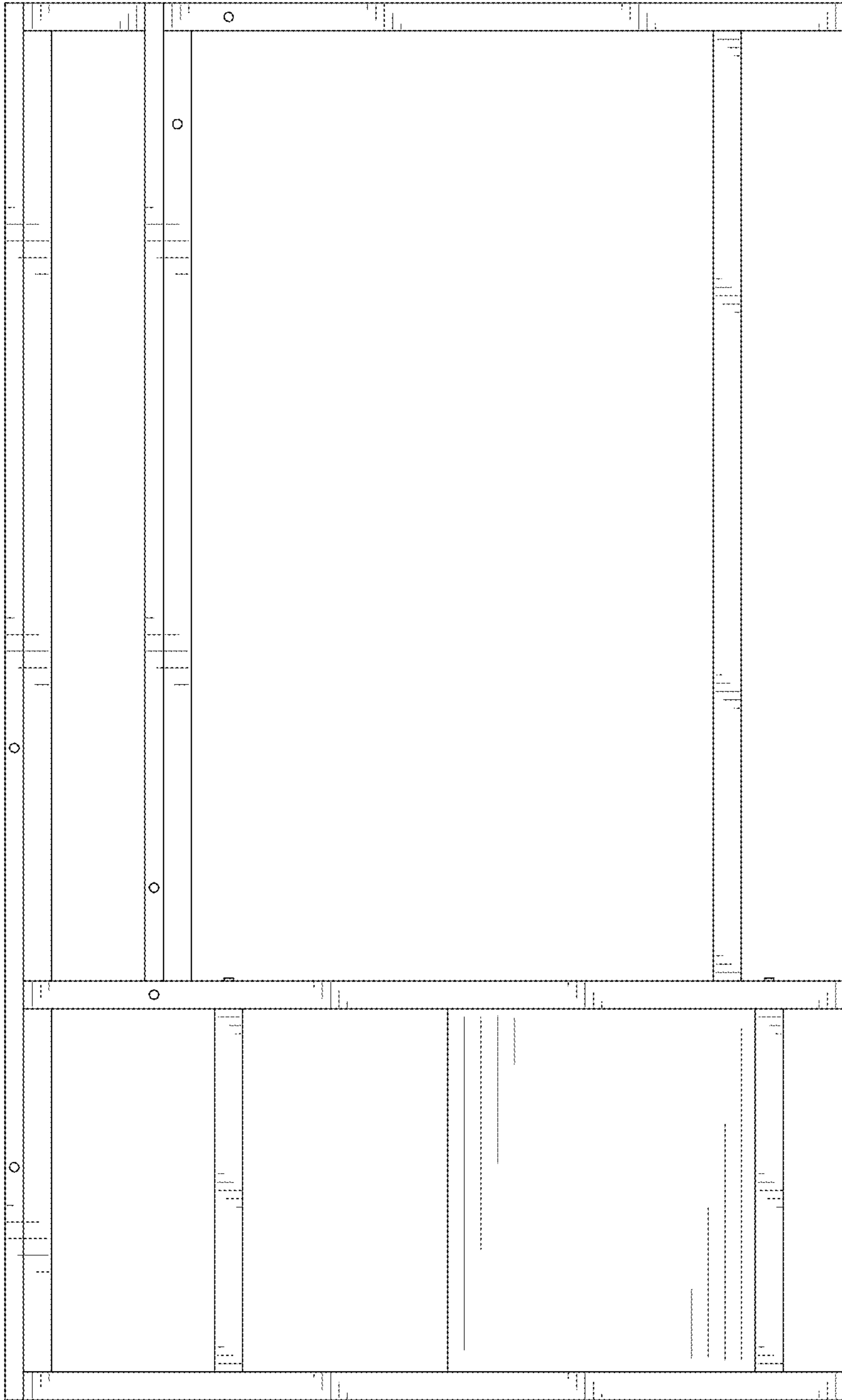


FIG. 4

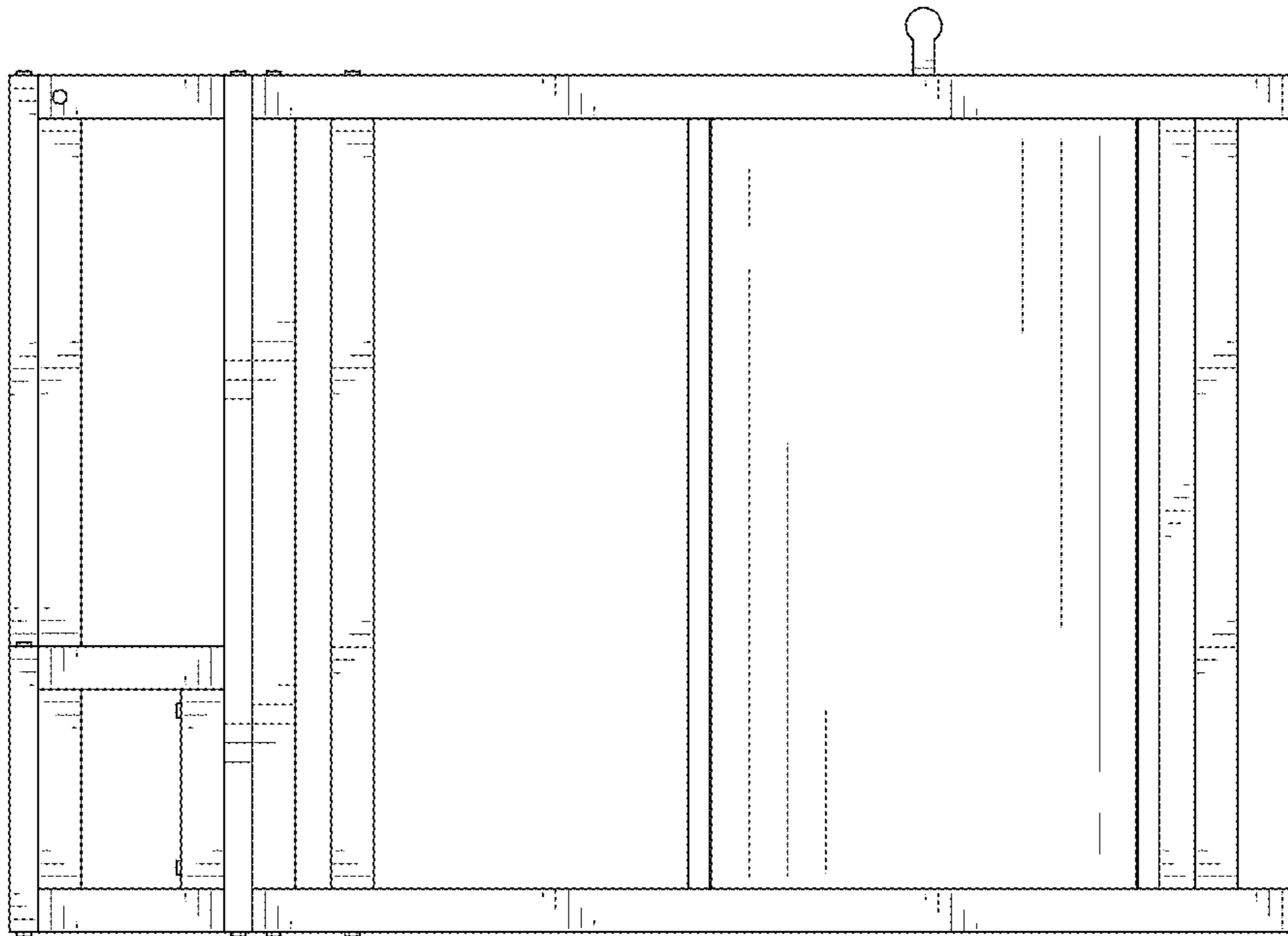


FIG. 5

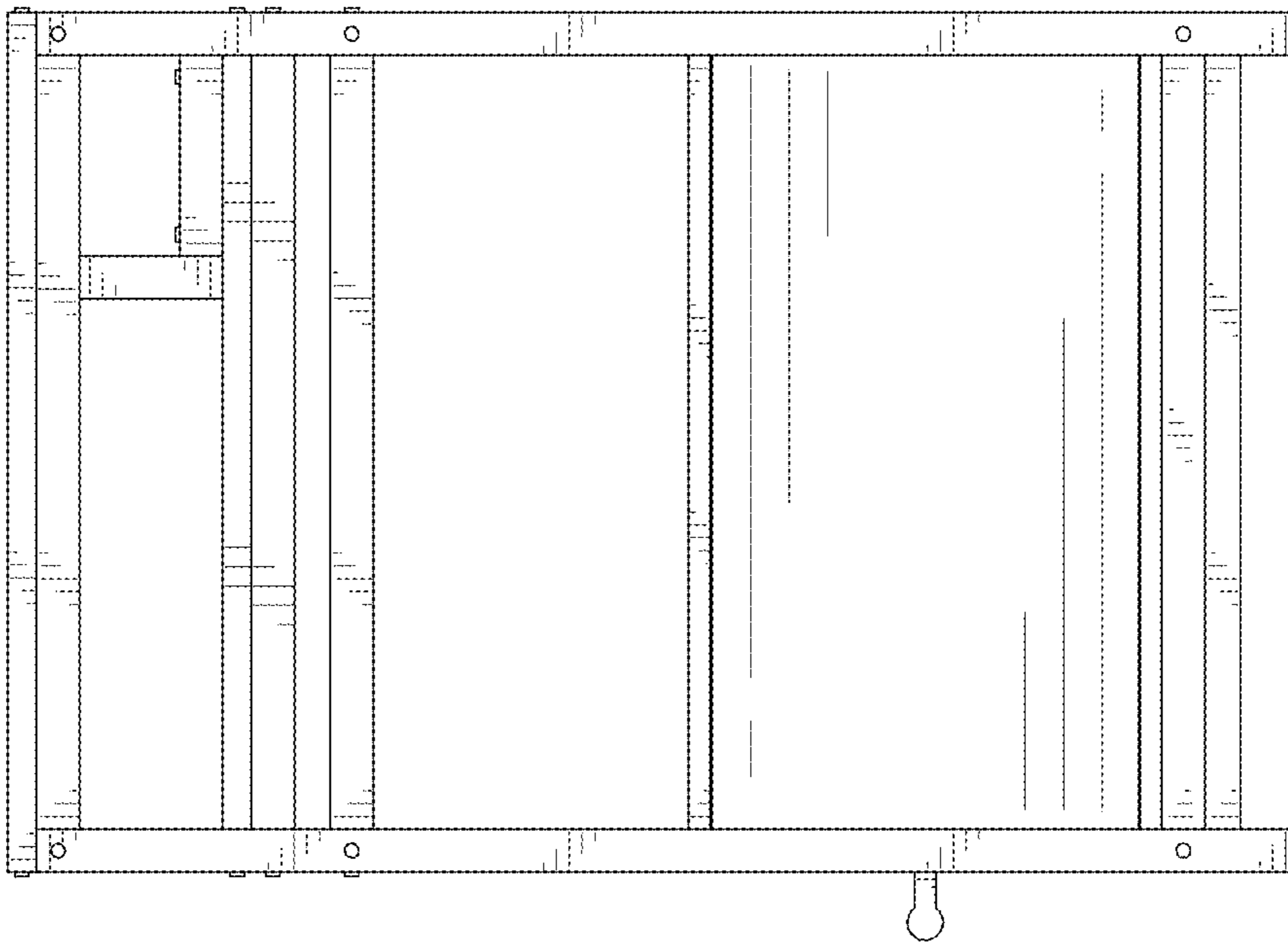


FIG. 6

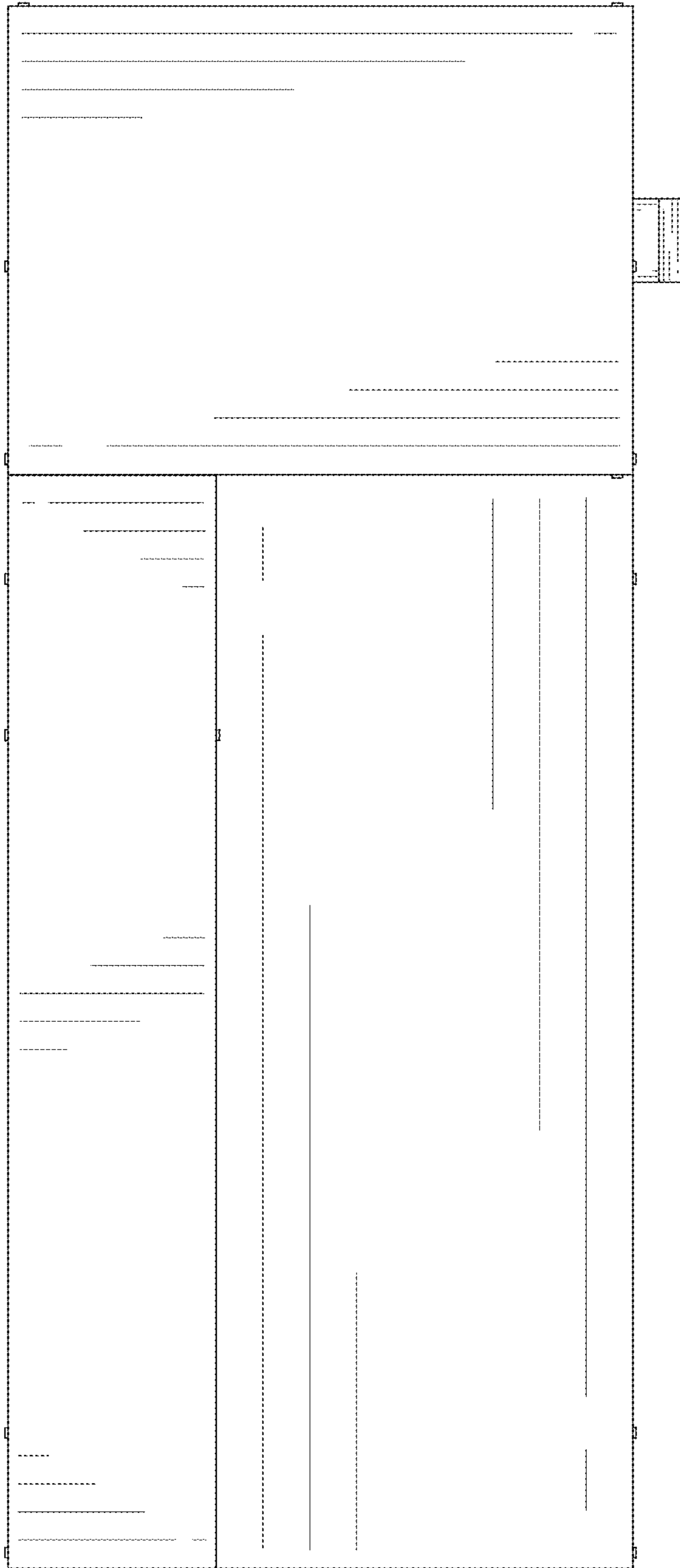


FIG. 7

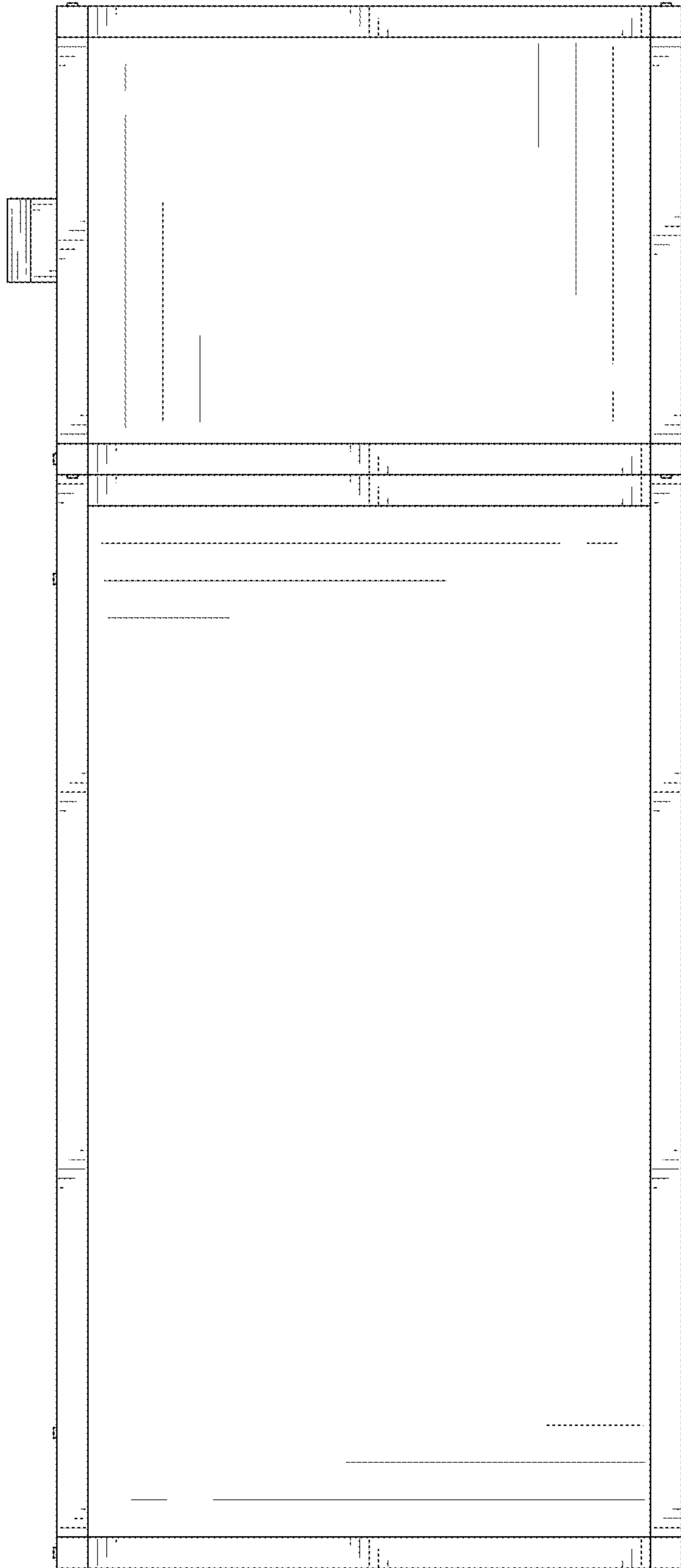


FIG. 8

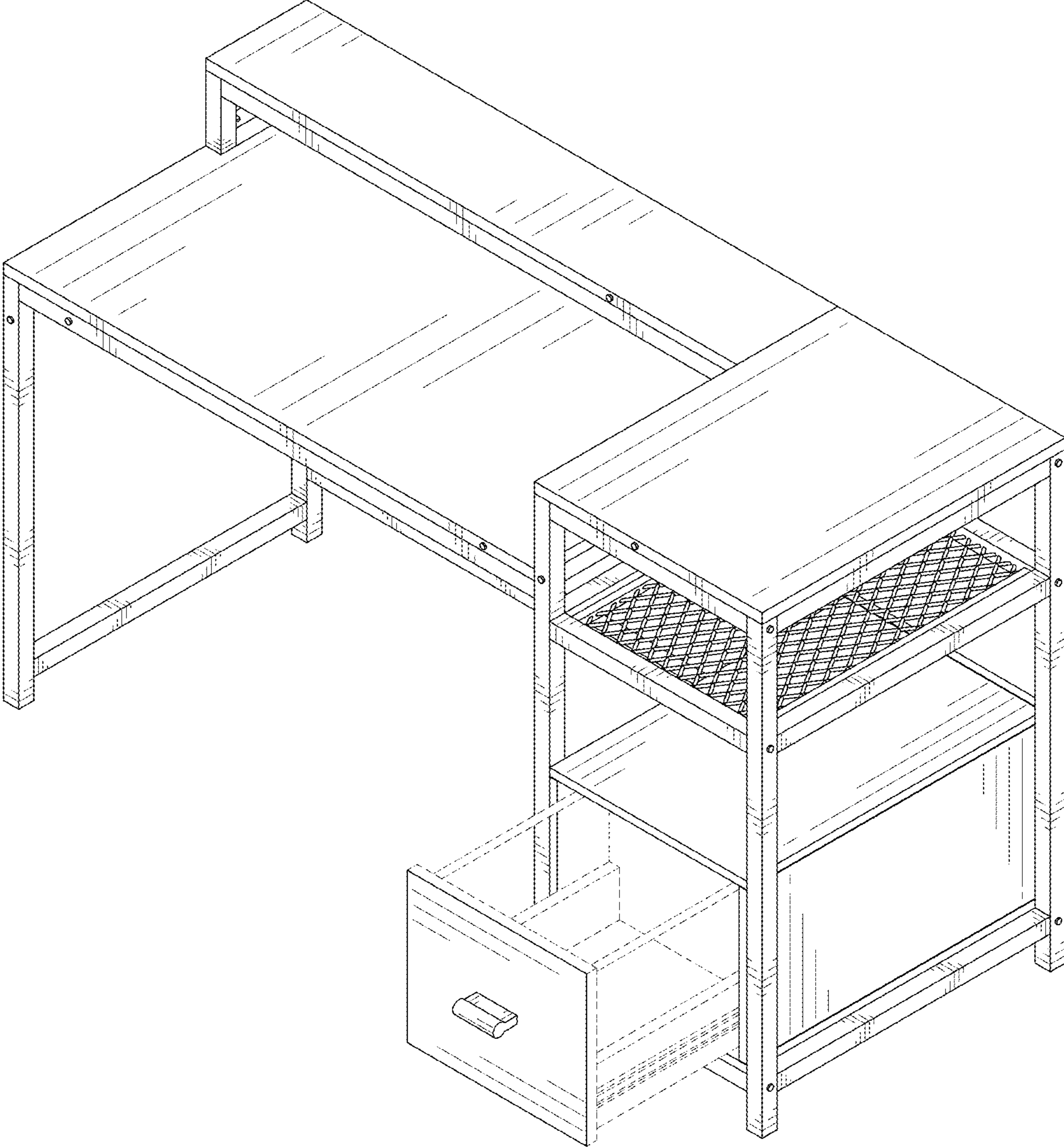


FIG. 9