



US00D931656S

(12) **United States Design Patent** (10) **Patent No.:** **US D931,656 S**
Li (45) **Date of Patent:** **** Sep. 28, 2021**

(54) **DESK**
(71) Applicant: **39F USA INC**, Rancho Cucamonga, CA (US)
(72) Inventor: **Yuehai Li**, Rancho Cucamonga, CA (US)
(**) Term: **15 Years**
(21) Appl. No.: **29/697,410**
(22) Filed: **Jul. 8, 2019**
(51) **LOC (13) Cl.** **06-03**
(52) **U.S. Cl.**
USPC **D6/648.3**
(58) **Field of Classification Search**
USPC D6/332, 338, 574, 643, 644, 648, 650, D6/652, 654.17, 654.21, 675.1, 705, 641, D6/648.2, 648.3, 648.4, 654, 655.1, 675, D6/718.14; D30/104
CPC A47B 17/02; A47B 21/00; A47B 21/02; A47B 37/00; A47B 51/00; A47B 96/02; A47B 2037/005; A47B 2200/0002; A47B 96/025; A47B 9/00; A47B 9/20; A47B 9/06; A47B 21/03; A47B 21/0314; A47B 3/00; A47B 3/002; A47B 3/02; A47B 3/06; A47B 3/0818; A47B 25/003; A47B 13/088; A47B 1/00; A47B 45/00; A47B 87/0246; A47B 57/583; A47B 57/20; F16B 12/50; G10G 5/00; A63B 67/04; A61G 13/10; A61G 13/06; A61G 13/009; A61G 13/105; A47F 5/16; A47F 5/0081; A47F 5/10; A47C 17/62
See application file for complete search history.

6,327,985 B1 * 12/2001 Frenkler A47B 9/00 108/147.19
D780,486 S * 3/2017 Arthur D6/641
D880,905 S * 4/2020 Huang D6/648
D882,300 S * 4/2020 Li D6/648.4
D891,821 S * 8/2020 Li D6/648.2
D891,822 S * 8/2020 Li D6/648.3
D891,823 S * 8/2020 Li D6/648.3
D895,324 S * 9/2020 Li D6/654
D899,823 S * 10/2020 Li D6/648
D904,078 S * 12/2020 Udagawa D6/643
D910,347 S * 2/2021 Li D6/675
2015/0068999 A1 * 3/2015 Dart A47B 96/025 211/186
2016/0278546 A1 * 9/2016 Johnson G09F 3/20
2019/0183711 A1 * 6/2019 Sevadjian A47B 21/02
2020/0023255 A1 * 1/2020 Webb A47B 3/002
2021/0035539 A1 * 2/2021 Lee A47B 21/03

* cited by examiner

Primary Examiner — Kevin K Rudzinski
Assistant Examiner — Paul D Bohannon
(74) *Attorney, Agent, or Firm* — Feng Qian

(57) **CLAIM**

The ornamental design for a desk, as shown and described.

DESCRIPTION

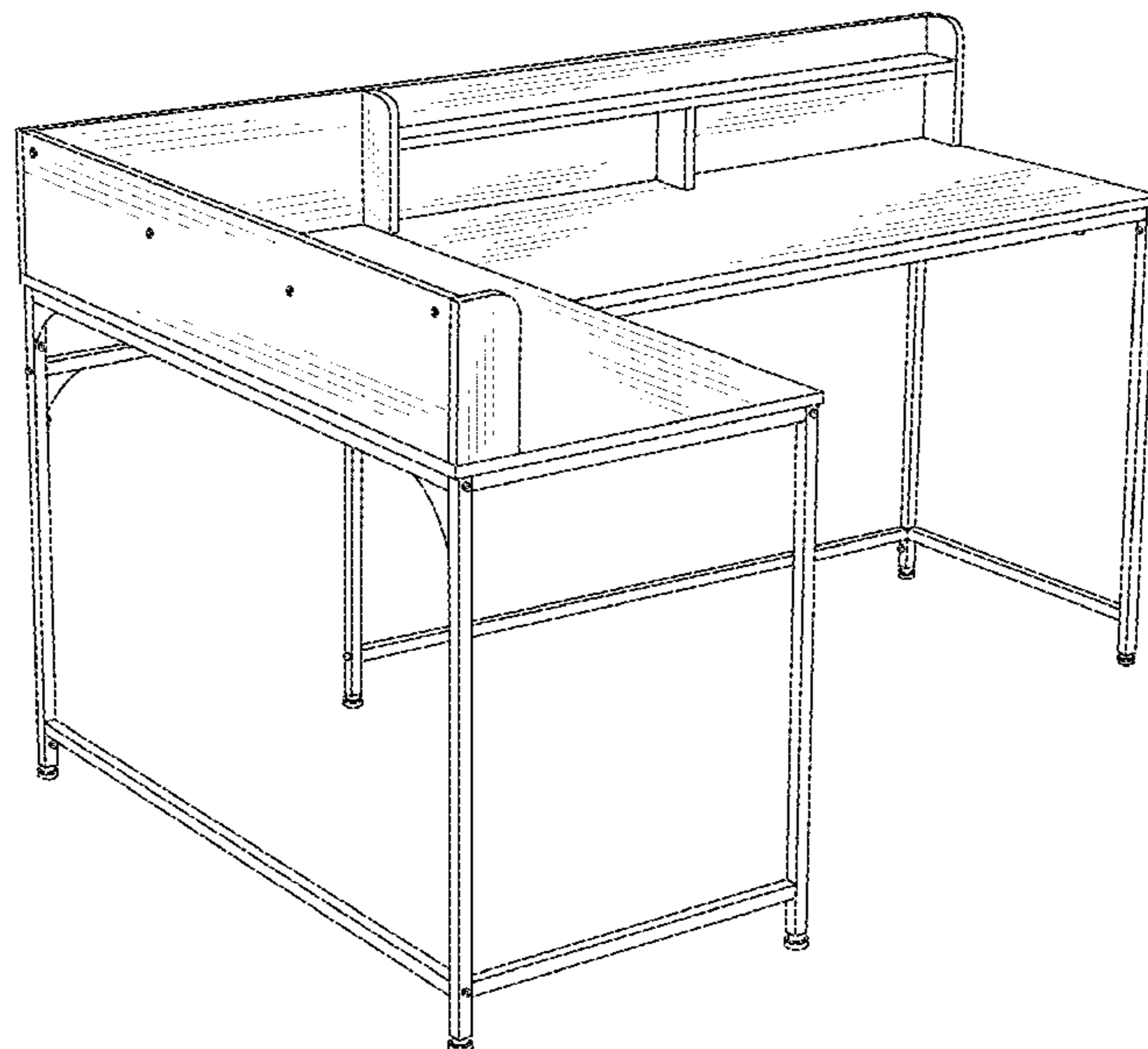
FIG. 1 is a front perspective view of a desk showing my new design;
FIG. 2 is a front elevation view thereof;
FIG. 3 is a rear elevation view thereof;
FIG. 4 is a left-side elevation view thereof;
FIG. 5 is a right-side elevation view thereof;
FIG. 6 is a top plan view thereof; and,
FIG. 7 is a bottom plan view thereof.
The broken lines shown in the drawings are for the purpose of illustrating portions of the article and form no part of the claimed design.

(56) **References Cited**

U.S. PATENT DOCUMENTS

D243,908 S * 4/1977 Neff D6/675
D400,371 S * 11/1998 Robinson D6/648

1 Claim, 7 Drawing Sheets



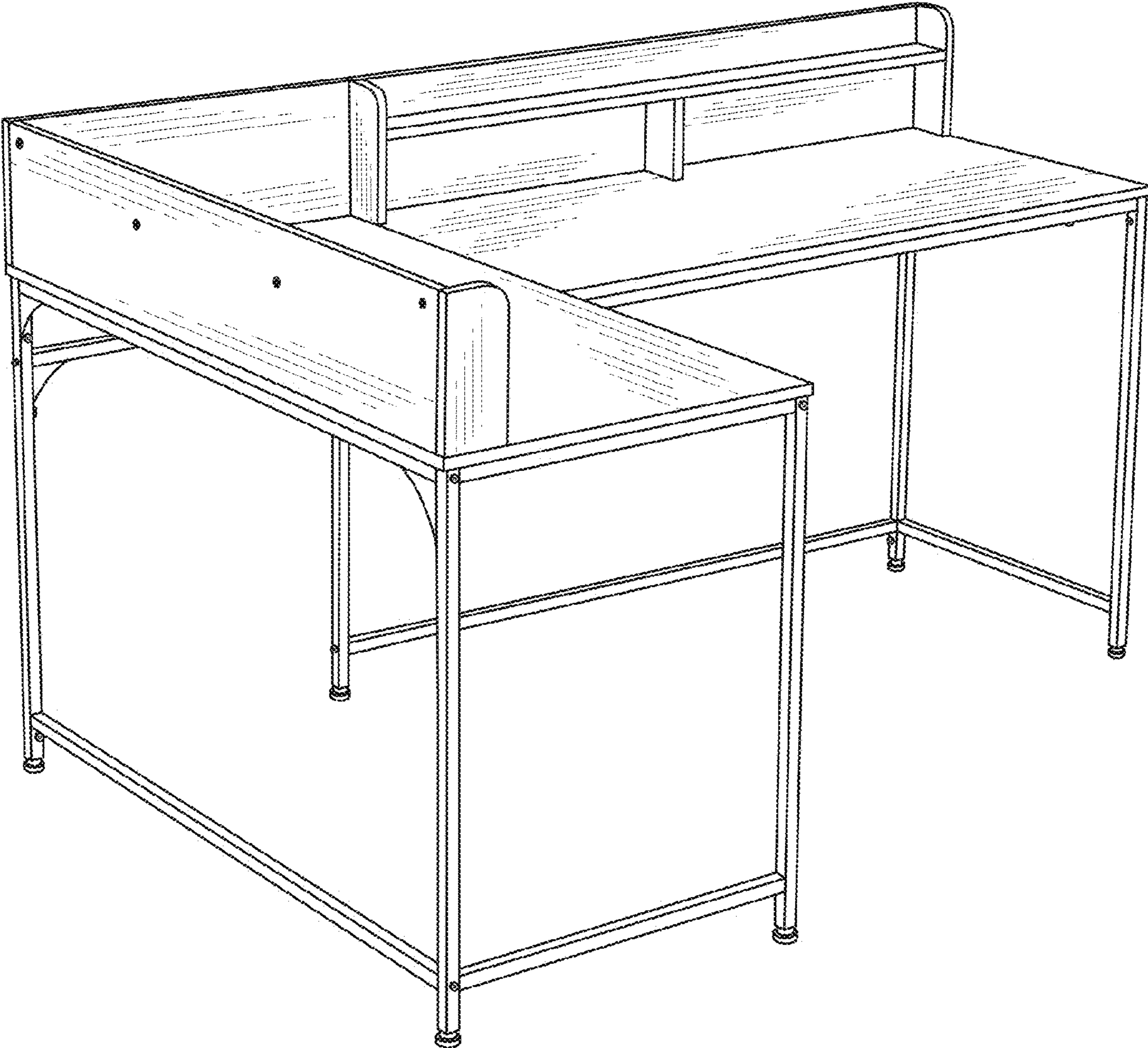


Fig. 1

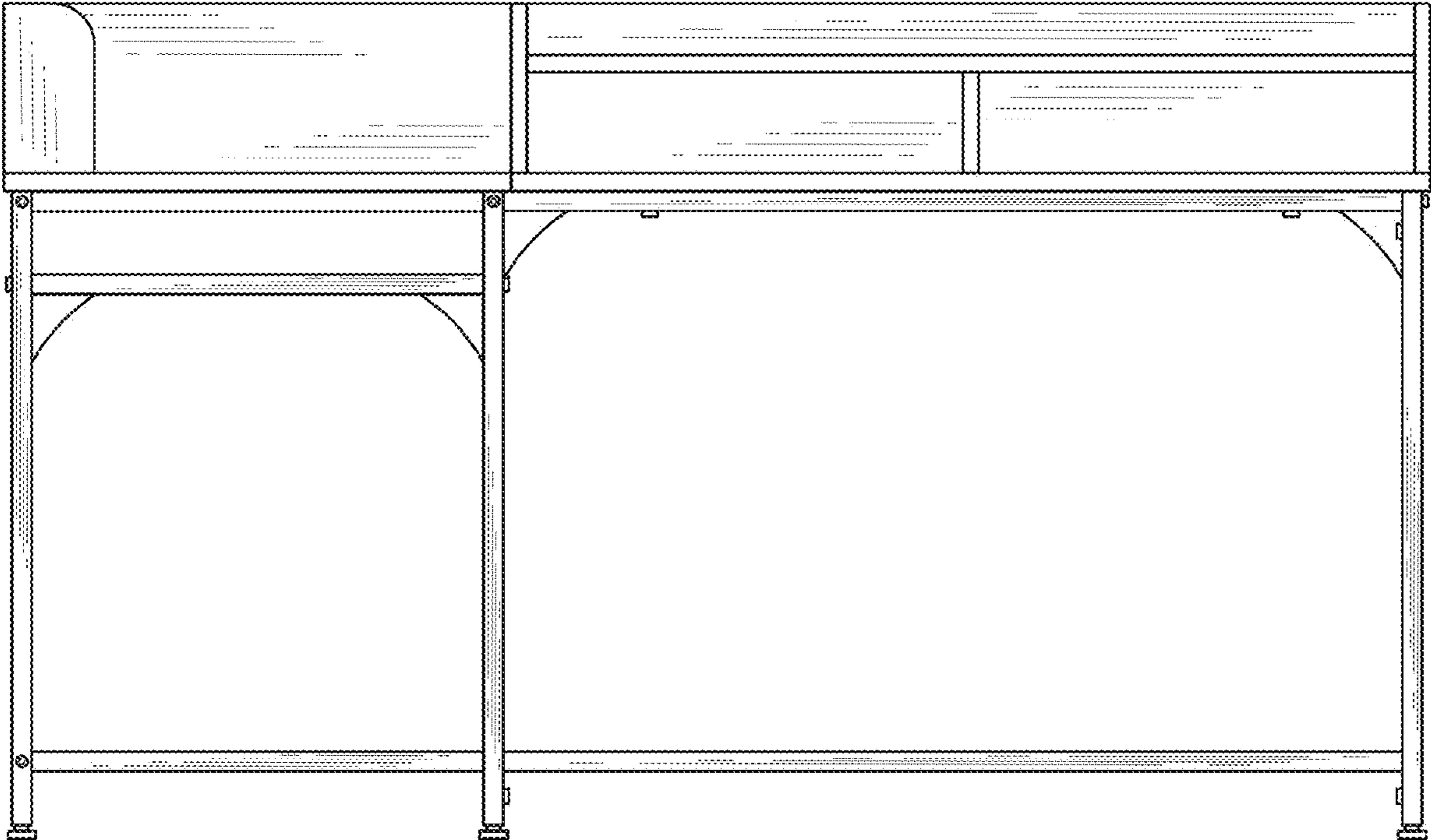


Fig. 2

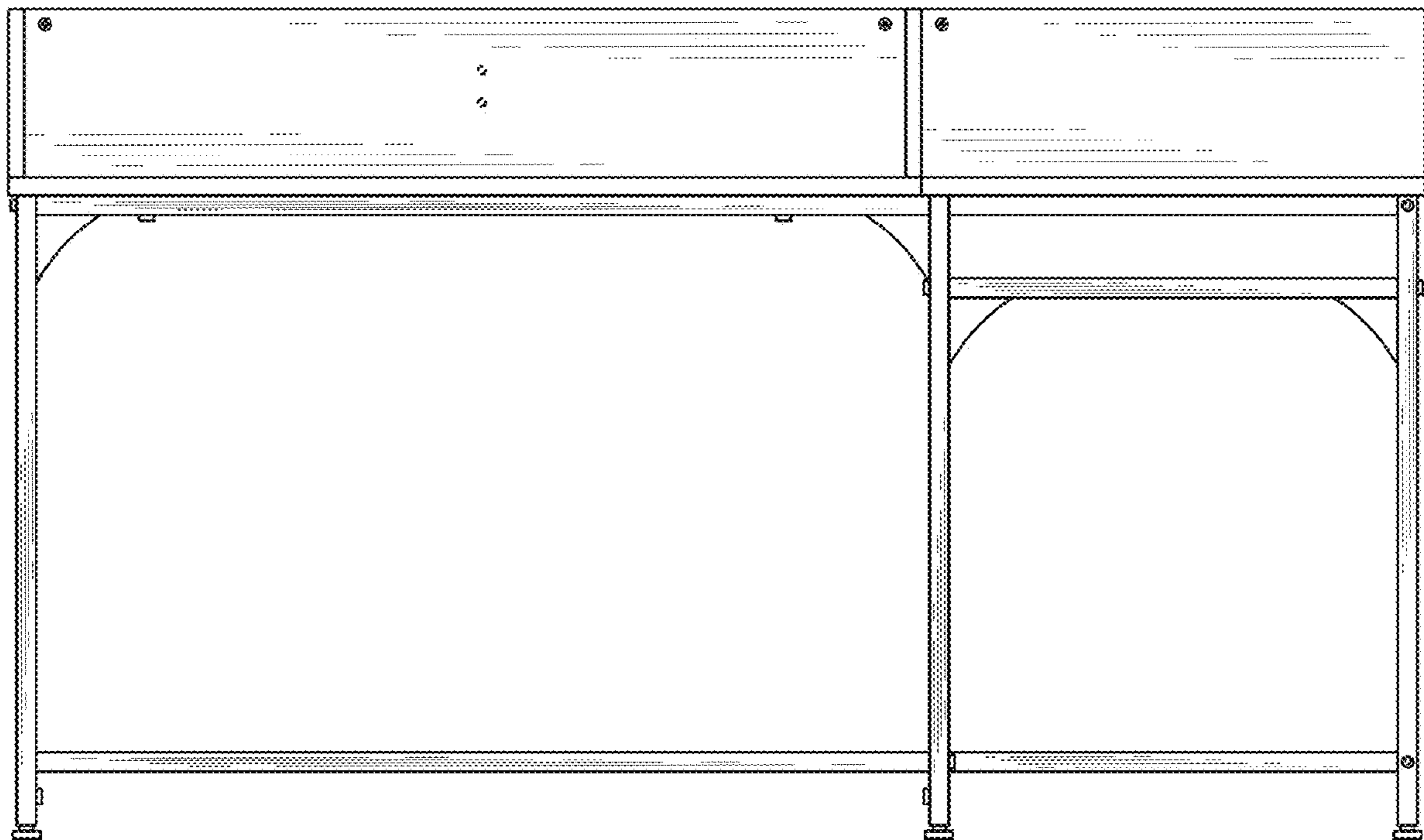


Fig. 3

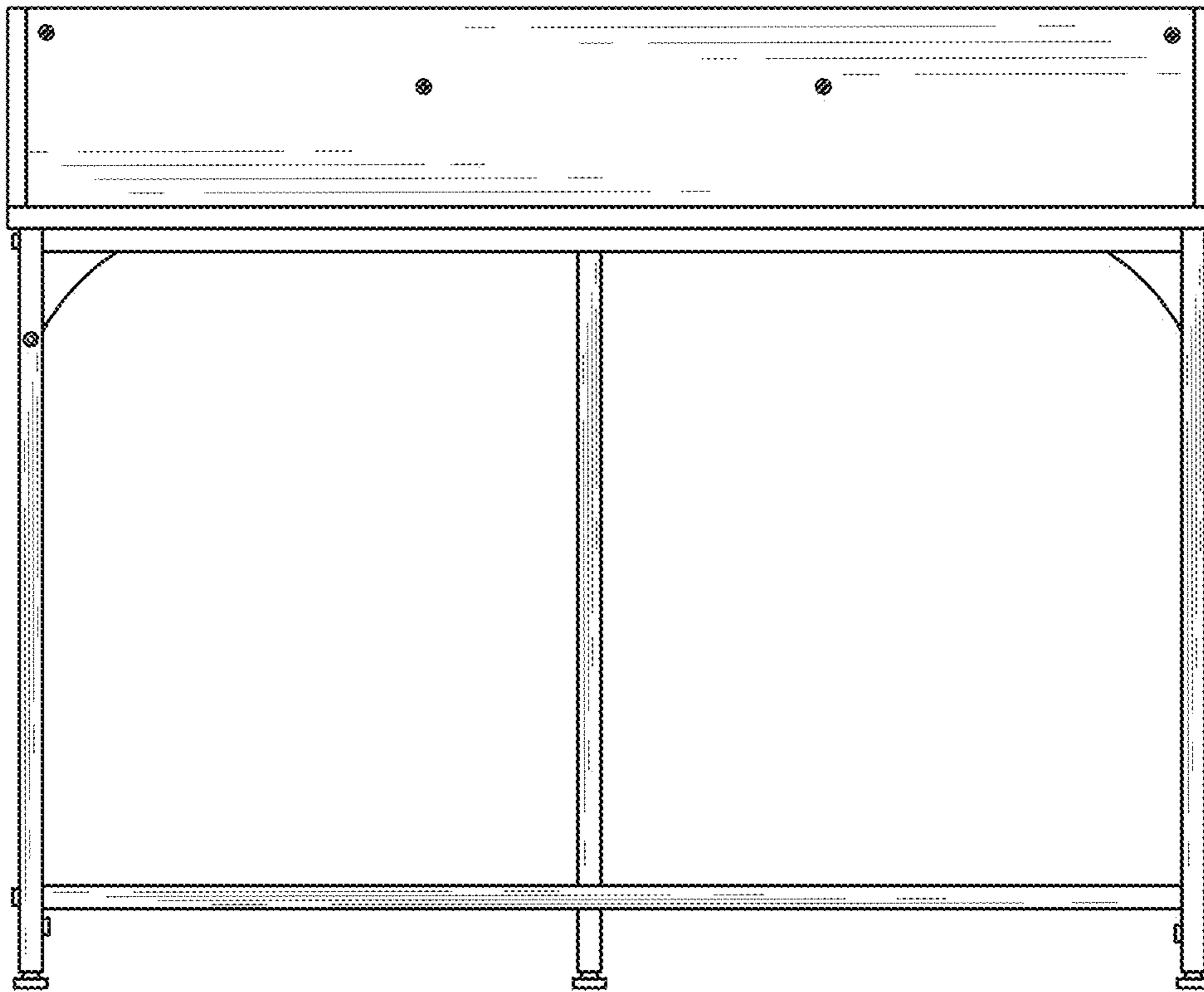


Fig. 4

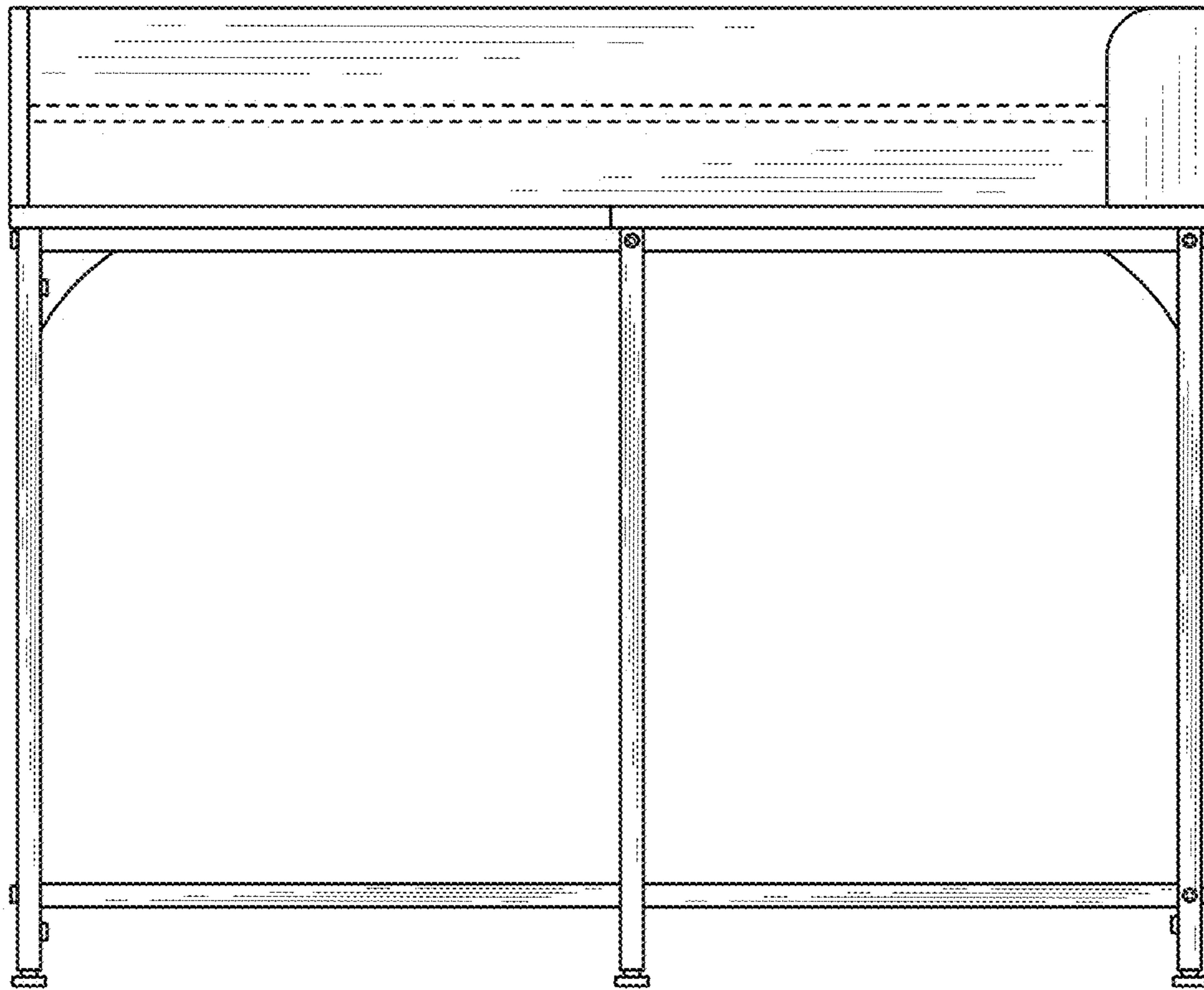


Fig. 5

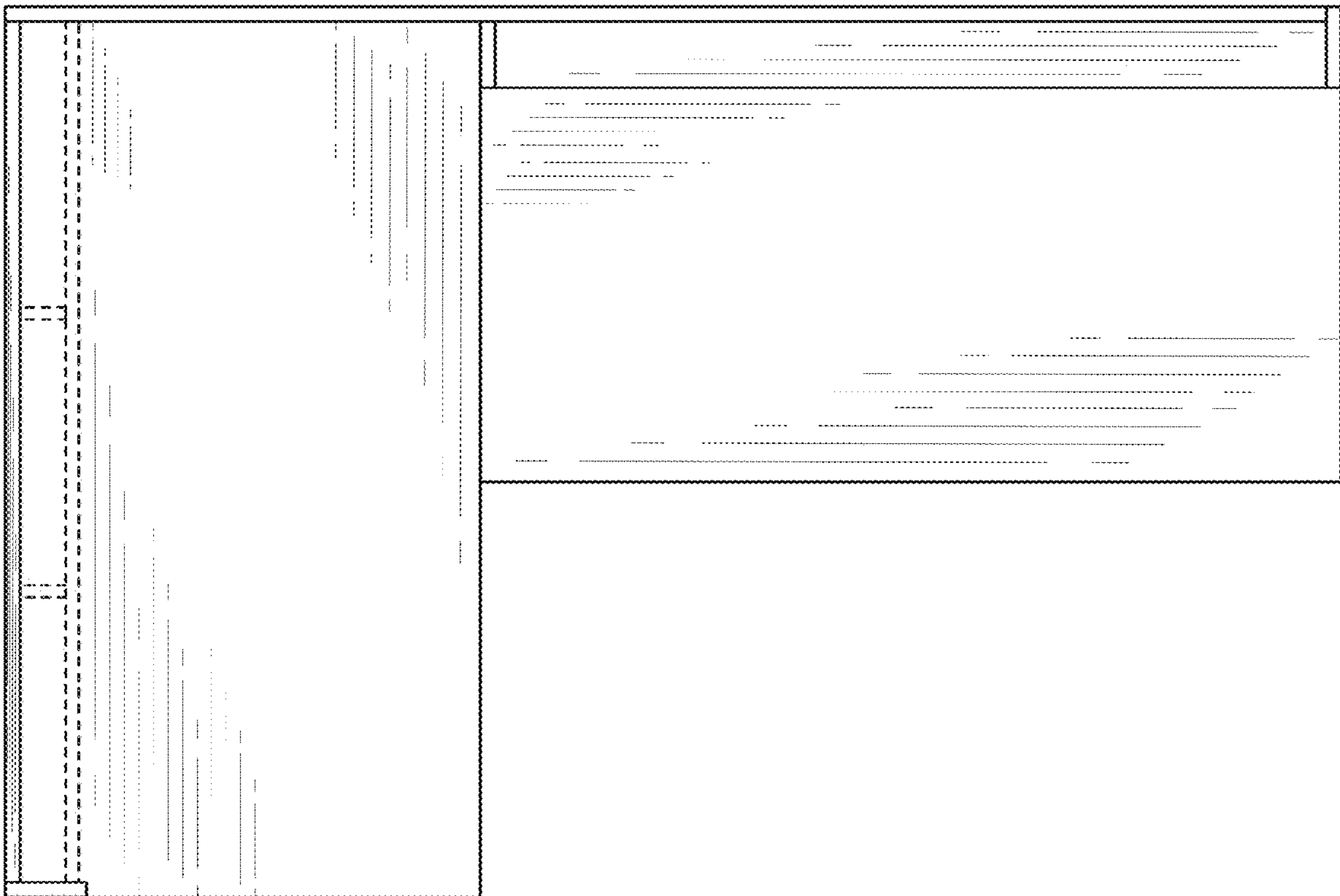


Fig. 6

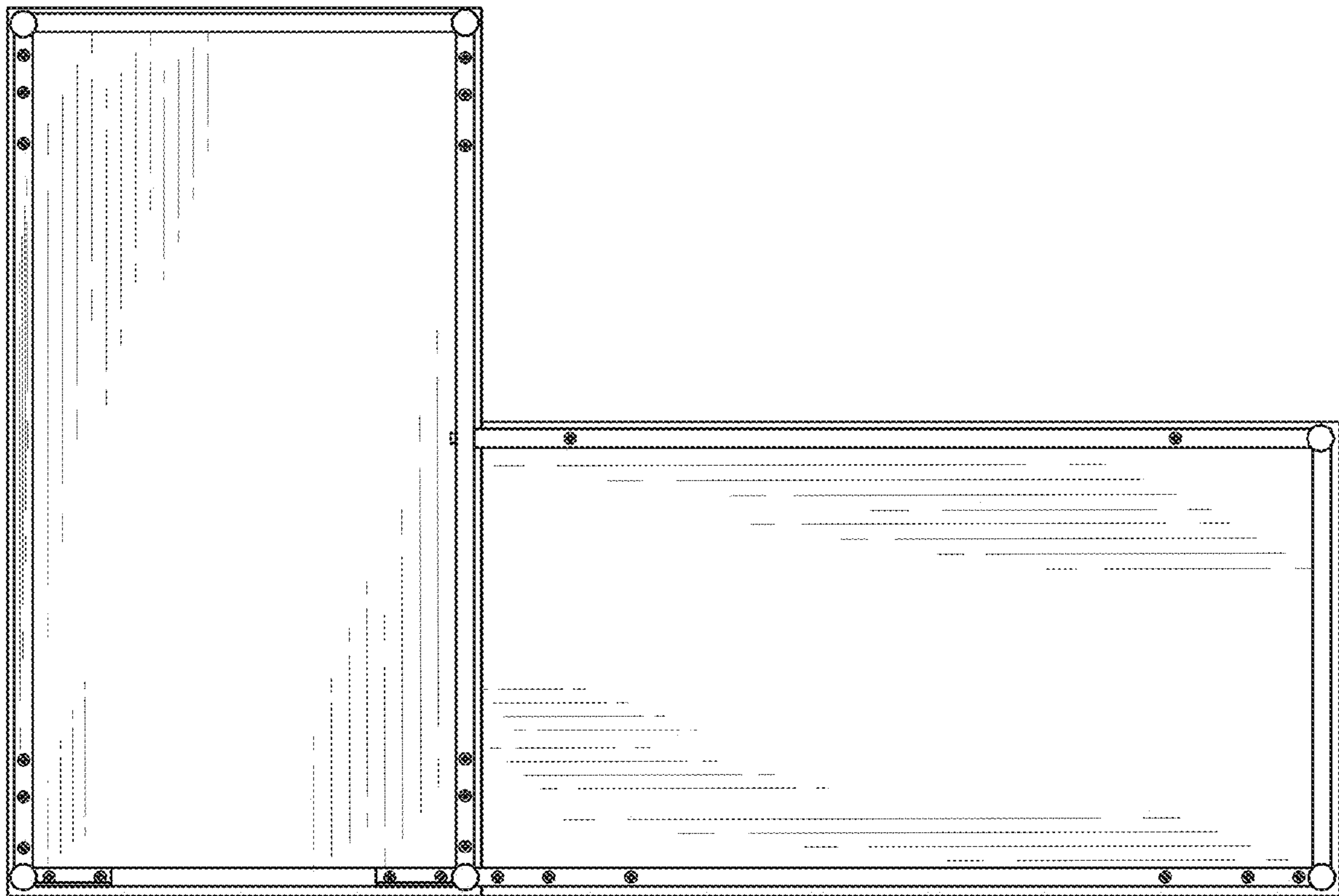


Fig. 7