



US00D931655S

(12) **United States Design Patent** (10) **Patent No.:** **US D931,655 S**
Sears (45) **Date of Patent:** **** Sep. 28, 2021**

- (54) **PARTITION APPARATUS**
- (71) Applicant: **R.A.S. Developments, LLC**,
Washington, DC (US)
- (72) Inventor: **Russell Adams Sears**, Washington, DC
(US)
- (73) Assignee: **R.A.S. DEVELOPMENTS, LLC**,
Washington, DC (US)
- (**) Term: **15 Years**
- (21) Appl. No.: **29/746,084**
- (22) Filed: **Aug. 11, 2020**
- (51) **LOC (13) Cl.** **06-03**
- (52) **U.S. Cl.**
USPC **D6/643**
- (58) **Field of Classification Search**
USPC D6/332, 699.3, 643, 643.1, 644; D25/58
CPC . E06B 9/00; E06B 9/06; E06B 9/0692; E04C
2/54; E04B 2/74; E04B 2/74; E04B
2/74051; E04B 2/7407; E04B 2/7416;
E04B 2/7438; E04B 2/7427; E04B
2/7433; E04B 2/7437; E04B 2002/7483;
E04B 2002/7466; E04B 2002/747; E04B
2002/7487
See application file for complete search history.

9,487,948 B1 * 11/2016 Bakker E04B 2/7401
 9,611,641 B2 * 4/2017 Hamilton A47B 91/00
 9,856,643 B1 * 1/2018 Lytle E04C 2/20
 D878,812 S * 3/2020 Udagawa D6/643
 10,760,299 B2 * 9/2020 Preston E04H 17/168

FOREIGN PATENT DOCUMENTS

KR 20100000669 A 1/2010
 KR 101715043 B1 3/2017

OTHER PUBLICATIONS

Vollrath MB48FLAT Portable Breath Guard, <https://www.katom.com/175-MB48FLAT.html>.
 Multi-Section Acrylic Table Divider, <https://www.displays2go.com/P-51531/Sneeze-Shield-Table-Divider-Multi-Section-Design-Collaborating>.
 MobileSeparationScreen, <https://www.separationscreen.com/product/mobile-separationscreen/>.

(Continued)

Primary Examiner — Doris Clark

(57) **CLAIM**

The ornamental design for a partition apparatus, as shown and described.

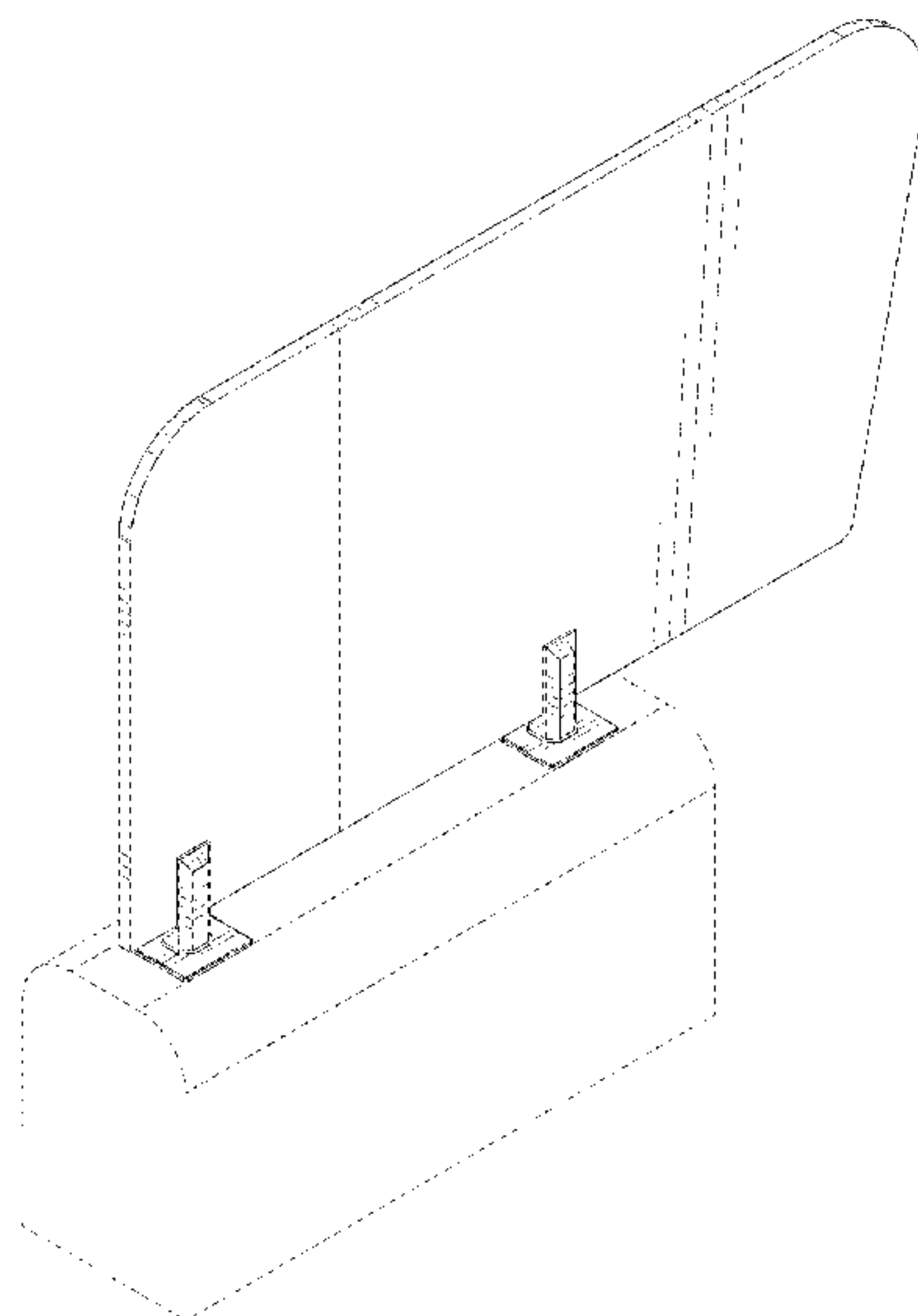
DESCRIPTION

FIG. 1 is a front perspective view of a partition apparatus showing my new design;
 FIG. 2 is a rear perspective view thereof;
 FIG. 3 is a front elevational view thereof;
 FIG. 4 is a rear elevational view thereof;
 FIG. 5 is a top plan view thereof;
 FIG. 6 is a bottom view thereof; and,
 FIG. 7 is a right-side elevational view thereof, the left-side elevational view being a mirror image thereof.
 The broken lines showing of base assembly in FIGS. 1-7 are included for the purpose of showing environmental structure and form no part of the claimed design.

1 Claim, 7 Drawing Sheets

(56) **References Cited**
U.S. PATENT DOCUMENTS

D189,919 S * 3/1961 Briggs et al. D6/643.1
 D537,258 S * 2/2007 Hosoe D6/332
 D560,072 S * 1/2008 Willis D6/332
 8,011,138 B2 * 9/2011 McGonagle E04H 1/1255
 52/36.1
 D691,402 S * 10/2013 Parker A47B 97/00
 D6/643.1
 9,255,440 B2 * 2/2016 Alexander A47G 5/00
 D762,876 S * 8/2016 Karashima D25/58
 9,414,697 B2 * 8/2016 Parshad A47G 5/00



(56)

References Cited

OTHER PUBLICATIONS

Frosted Desk Panel Office Divider Partition, <https://www.amazon.com/Owfeel-Frosted-Divider-Partition-Classrooms/dp/B07PHKCYJM>.

LukLoy 1 Piece 304 Stainless Steel Square Glass Spigots Pool Fence Spigot Clamp Home Garden Stairs Balustrade Railing Balcony Glass Floor Clamp, <https://www.amazon.com/LukLoy-Stainless-Spigots-Balustrade-Railing/dp/B07RGKGHR1>.

* cited by examiner

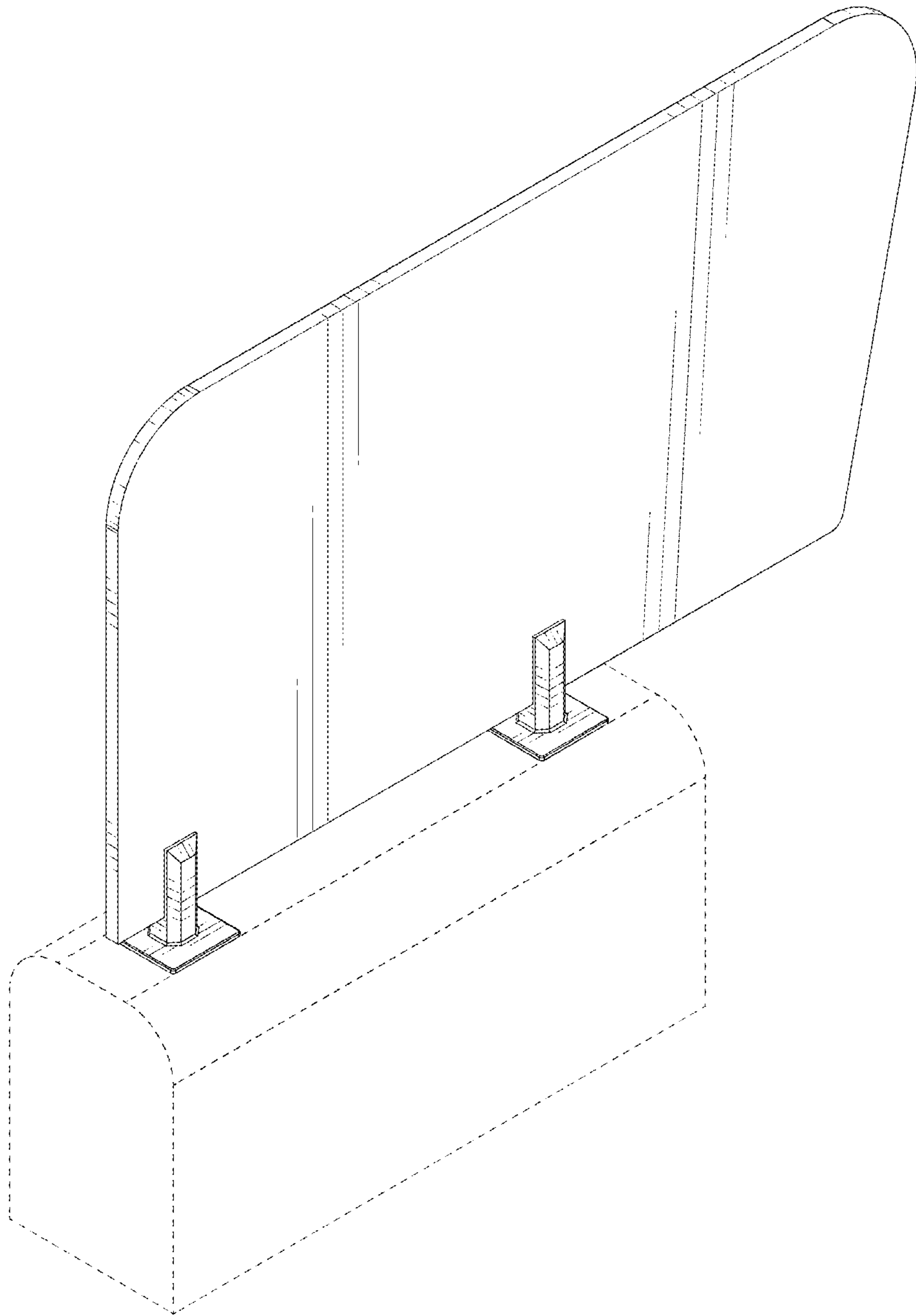


FIG. 1

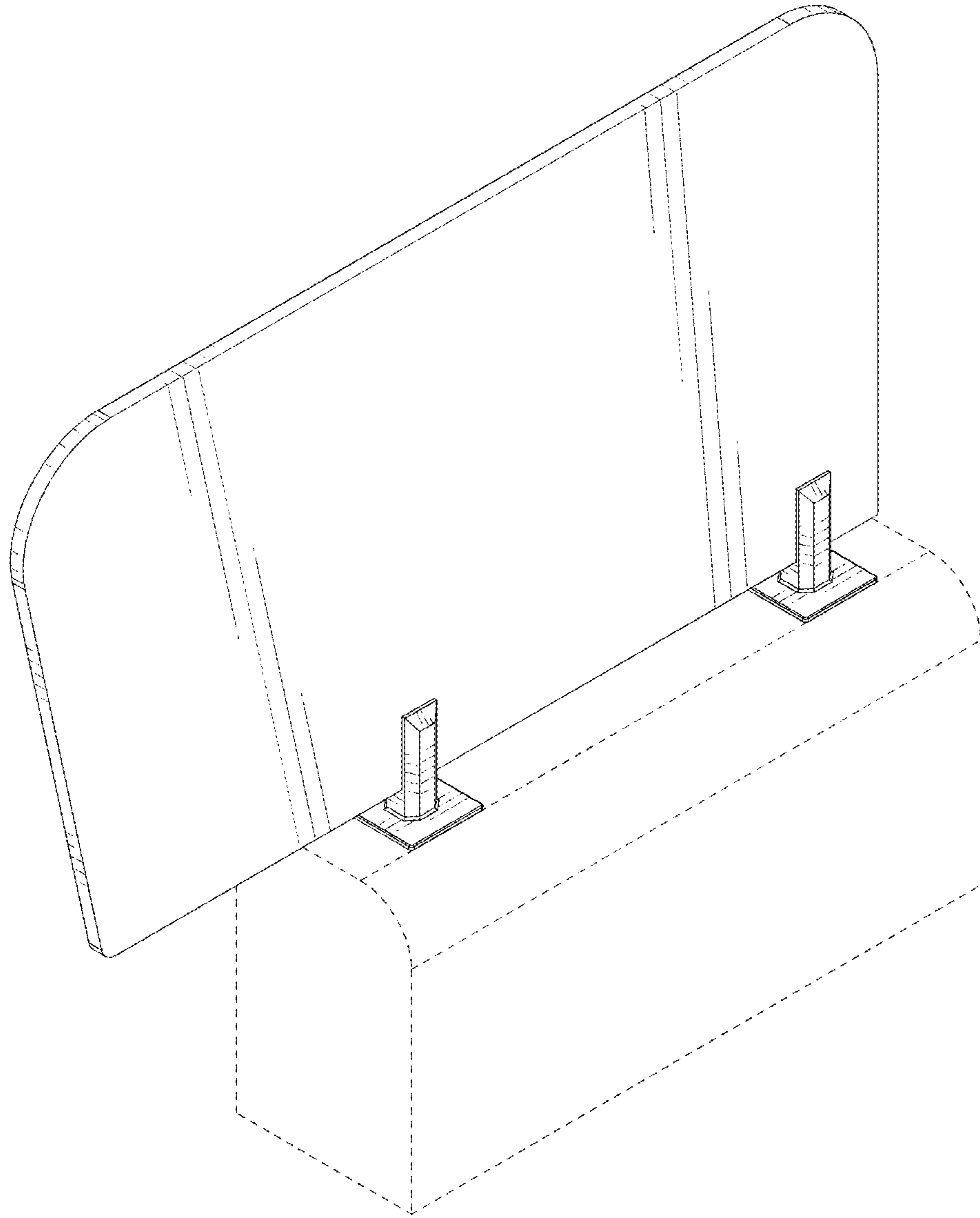


FIG. 2

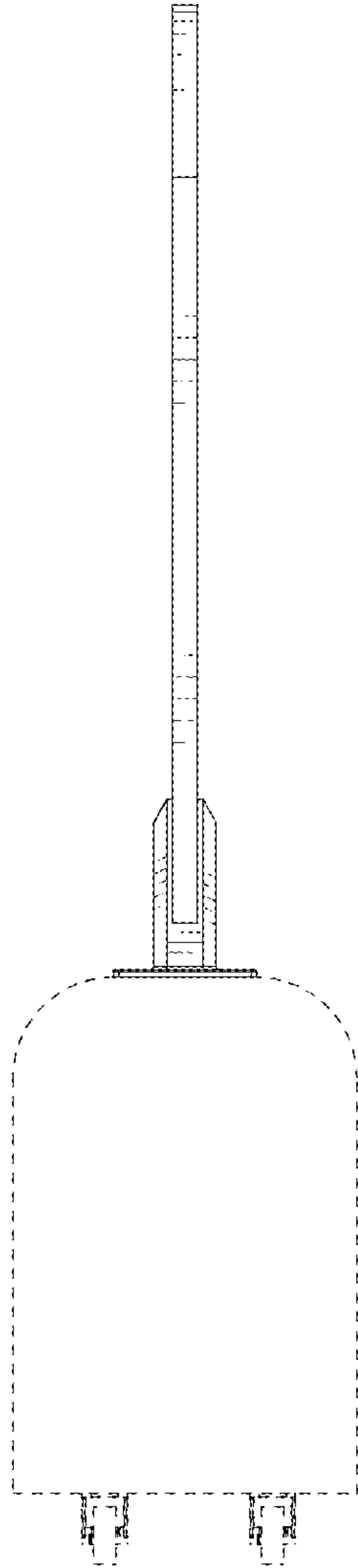


FIG. 3

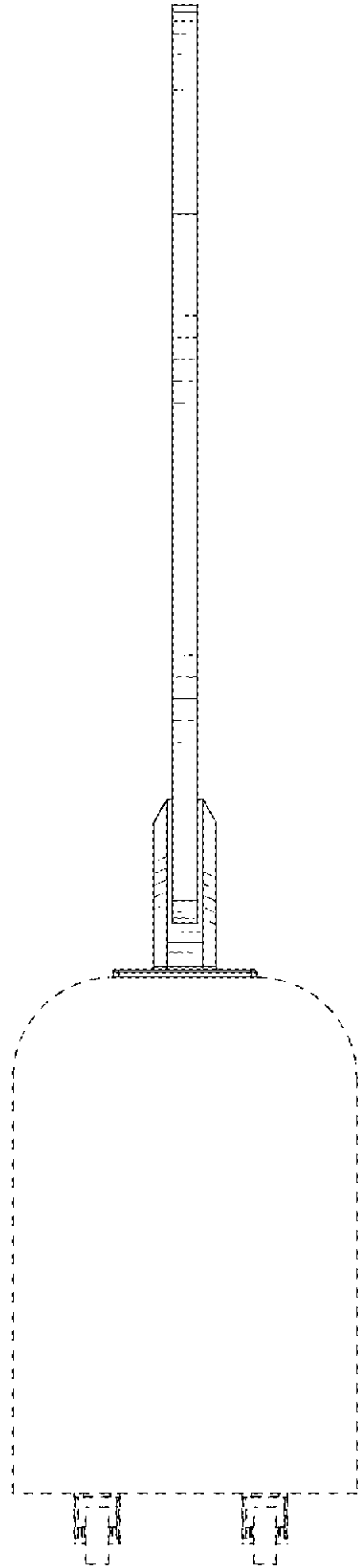


FIG. 4

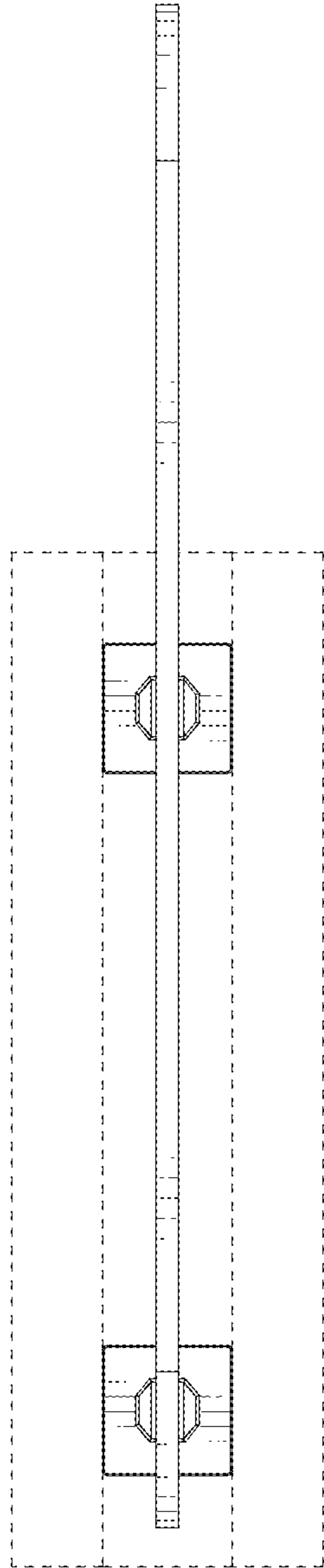


FIG. 5

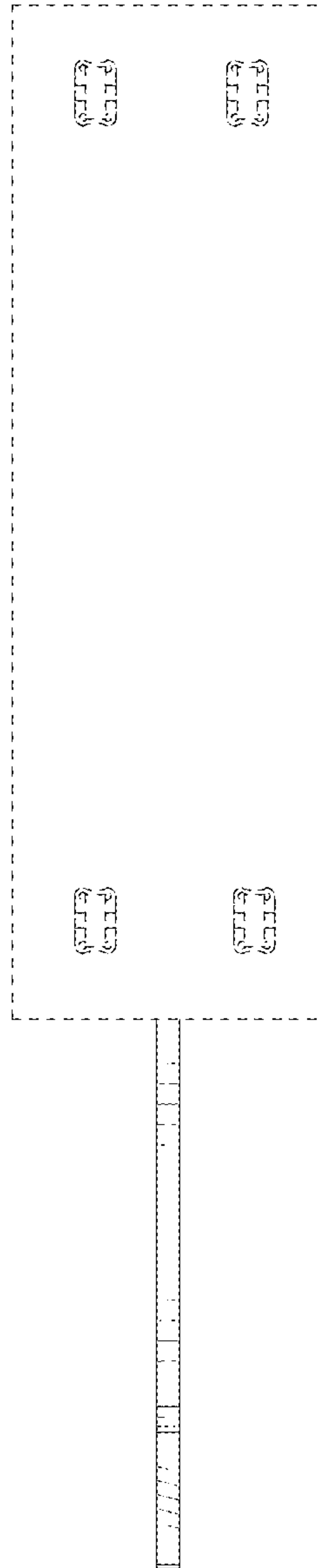


FIG. 6

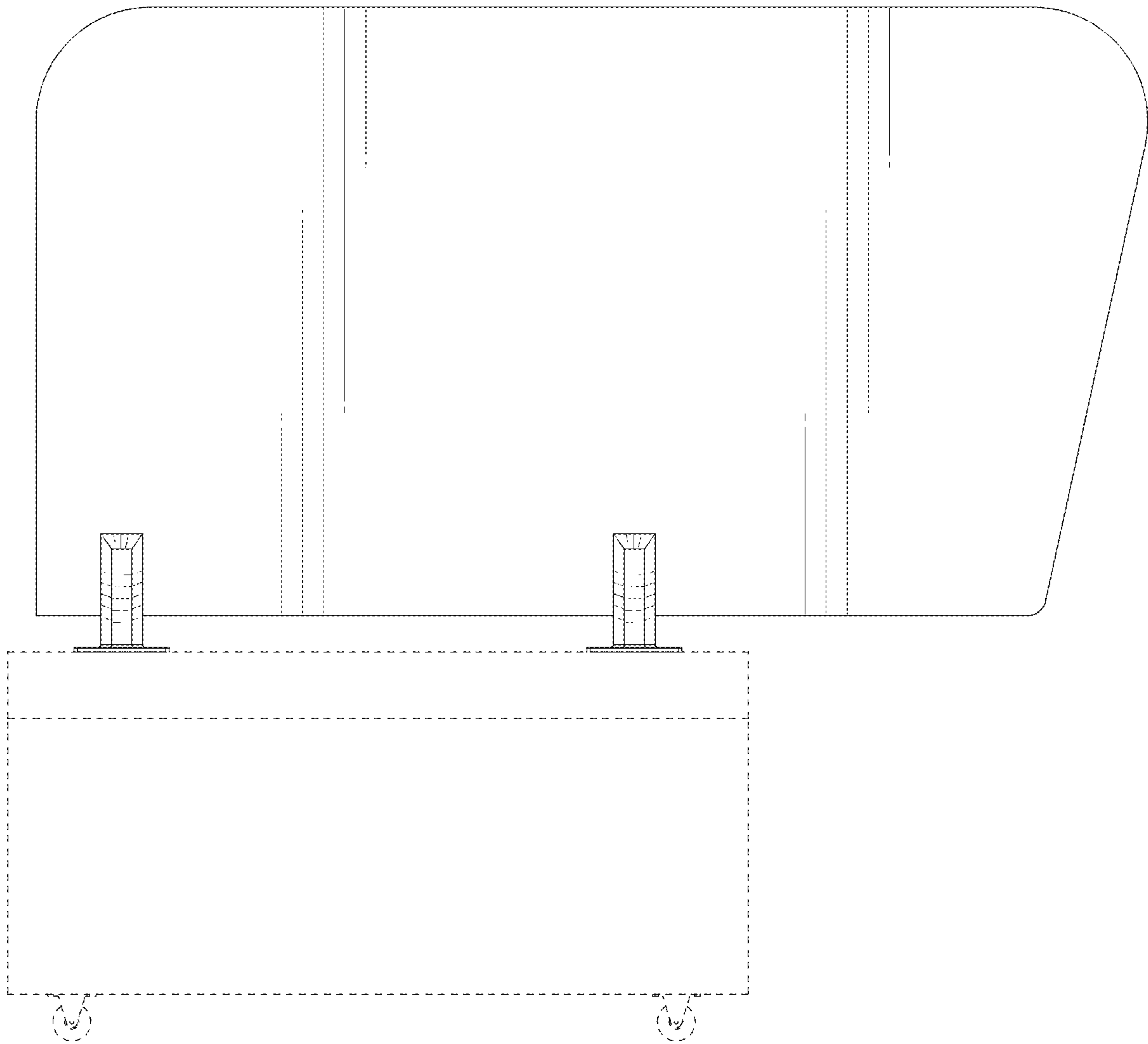


FIG. 7