



US00D931654S

(12) **United States Design Patent** (10) **Patent No.:** **US D931,654 S**  
**Li** (45) **Date of Patent:** **\*\* Sep. 28, 2021**

(54) **DESK**

(71) Applicant: **39F USA INC**, Rancho Cucamonga, CA (US)

(72) Inventor: **Yuehai Li**, Rancho Cucamonga, CA (US)

(\*\*) Term: **15 Years**

(21) Appl. No.: **29/715,888**

(22) Filed: **Dec. 5, 2019**

(51) **LOC (13) Cl.** ..... **06-03**

(52) **U.S. Cl.**  
USPC ..... **D6/643**; D6/655.1

(58) **Field of Classification Search**  
USPC ..... D6/641-643, 647, 655, 655.1, 655.11, D6/655.12, 655.14, 655.16-655.19, 691, D6/691.9

CPC .. A47B 7/00; A47B 9/00; A47B 13/00; A47B 13/02; A47B 13/04; A47B 13/06; A47B 13/08; A47B 13/10; A47B 13/12; A47B 17/00; A47B 17/003; A47B 17/006; A47B 17/033; A47B 17/06; A47B 21/00; A47B 21/02; A47B 21/0314; A47B 2021/0307; A47B 2021/0321; A47B 2021/0335; A47B 2021/0364

See application file for complete search history.

(56) **References Cited**

**U.S. PATENT DOCUMENTS**

D119,462 S *	3/1940	Rudman et al.	.....	D6/663
D216,025 S *	11/1969	Gianfagna	.....	D6/643
D546,503 S *	7/2007	Kreiss	.....	D6/653
D723,306 S *	3/2015	Kielwasser	.....	D6/653
D888,466 S *	6/2020	Li	.....	D6/654.1
D909,098 S *	2/2021	Li	.....	D6/654.1
D910,347 S *	2/2021	Li	.....	D6/675

**OTHER PUBLICATIONS**

Sauder Canal Street Northern Oak Console Desk—Hayneedle <https://www.hayneedle.com/product/sauder-canal-street-northern-oak-console-desk.cfm> retrieved from the internet on Jul. 14, 2021.\*

Caffoz 48" Writing Desk—Amazon, Date first available—May 20, 2019, [https://www.amazon.com/Writing-Desk-CAFFOZ-Designs-Workstation/dp/B07RPPLTNJ/ref=sr\\_1\\_1\\_sspa?dchild=1&keywords=writing+desk+with+drawers&qid=1626282712&sr=8-1-spons&psc=1&spLa=ZW5jcnlwdGVkUXVhbGlmaWVyPUEzNzdRRFFFTNTdCSkxJWmVuY3J5cHRIZEikPUEwMDYzNTkzMlhZWVJKQzgzMzhBSiZlbnNyeXB0ZWRBZEikPUEwNzk3MTM5MldMMkYyQ0xRRE5HUiz3aWRnZXROYW1IPXNwX2F0ZiZlY3Rpb249Y2xpY2tSZWRpcmVjdCZkb05vdExvZ0NsaWNrPXRydWU=](https://www.amazon.com/Writing-Desk-CAFFOZ-Designs-Workstation/dp/B07RPPLTNJ/ref=sr_1_1_sspa?dchild=1&keywords=writing+desk+with+drawers&qid=1626282712&sr=8-1-spons&psc=1&spLa=ZW5jcnlwdGVkUXVhbGlmaWVyPUEzNzdRRFFFTNTdCSkxJWmVuY3J5cHRIZEikPUEwMDYzNTkzMlhZWVJKQzgzMzhBSiZlbnNyeXB0ZWRBZEikPUEwNzk3MTM5MldMMkYyQ0xRRE5HUiz3aWRnZXROYW1IPXNwX2F0ZiZlY3Rpb249Y2xpY2tSZWRpcmVjdCZkb05vdExvZ0NsaWNrPXRydWU=) retrieved from the internet on Jul. 14, 2021.\*

Writers Desk Elm 77 Black Leather—The Modern Furniture Store <https://themodern.net.au/products/writers-desk-elm-77-black-leather> retrieved from the internet on Jul. 14, 2021.\*

HOMECHO Writing Computer Desk—Amazon, Date first available Nov. 21, 2019 [https://www.amazon.com/HOMECHO-Writing-Computer-Desktop-Standing/dp/B081T87LC5/ref=sr\\_1\\_6?dchild=1&keywords=writing+desk+with+drawers&qid=1626282503&sr=8-6](https://www.amazon.com/HOMECHO-Writing-Computer-Desktop-Standing/dp/B081T87LC5/ref=sr_1_6?dchild=1&keywords=writing+desk+with+drawers&qid=1626282503&sr=8-6) retrieved from the internet on Jul. 14, 2021.\*

\* cited by examiner

*Primary Examiner* — Mary Ann Calabrese  
(74) *Attorney, Agent, or Firm* — Feng Qian

(57) **CLAIM**

The ornamental design for a desk, as shown and described.

**DESCRIPTION**

FIG. 1 is a front perspective view of a desk showing my new design;

FIG. 2 is a front elevation view thereof;

FIG. 3 is a rear elevation view thereof;

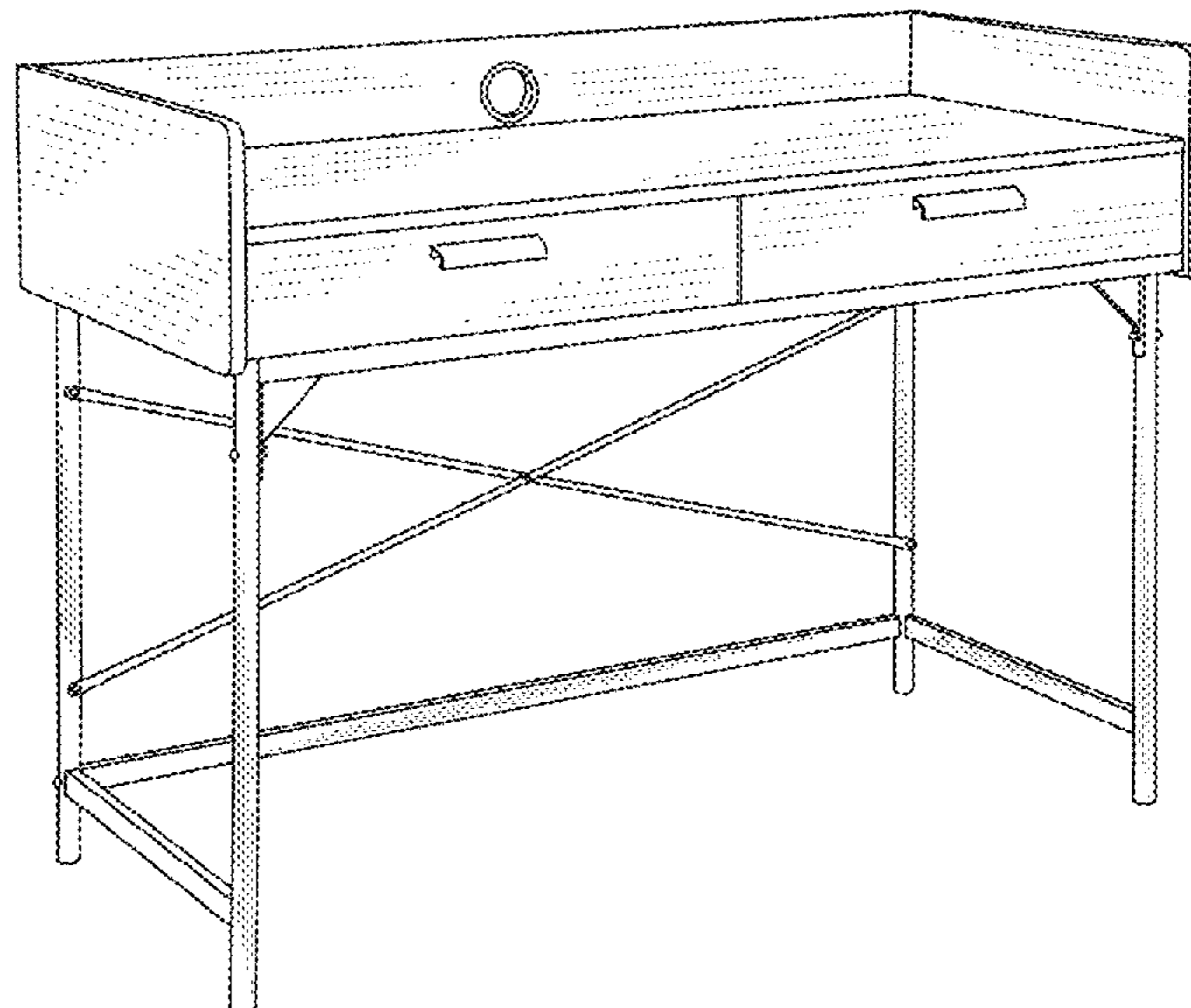
FIG. 4 is a left-side elevation view thereof;

FIG. 5 is a right-side elevation view thereof;

FIG. 6 is a top plan view thereof; and,

FIG. 7 is a bottom plan view thereof.

**1 Claim, 7 Drawing Sheets**



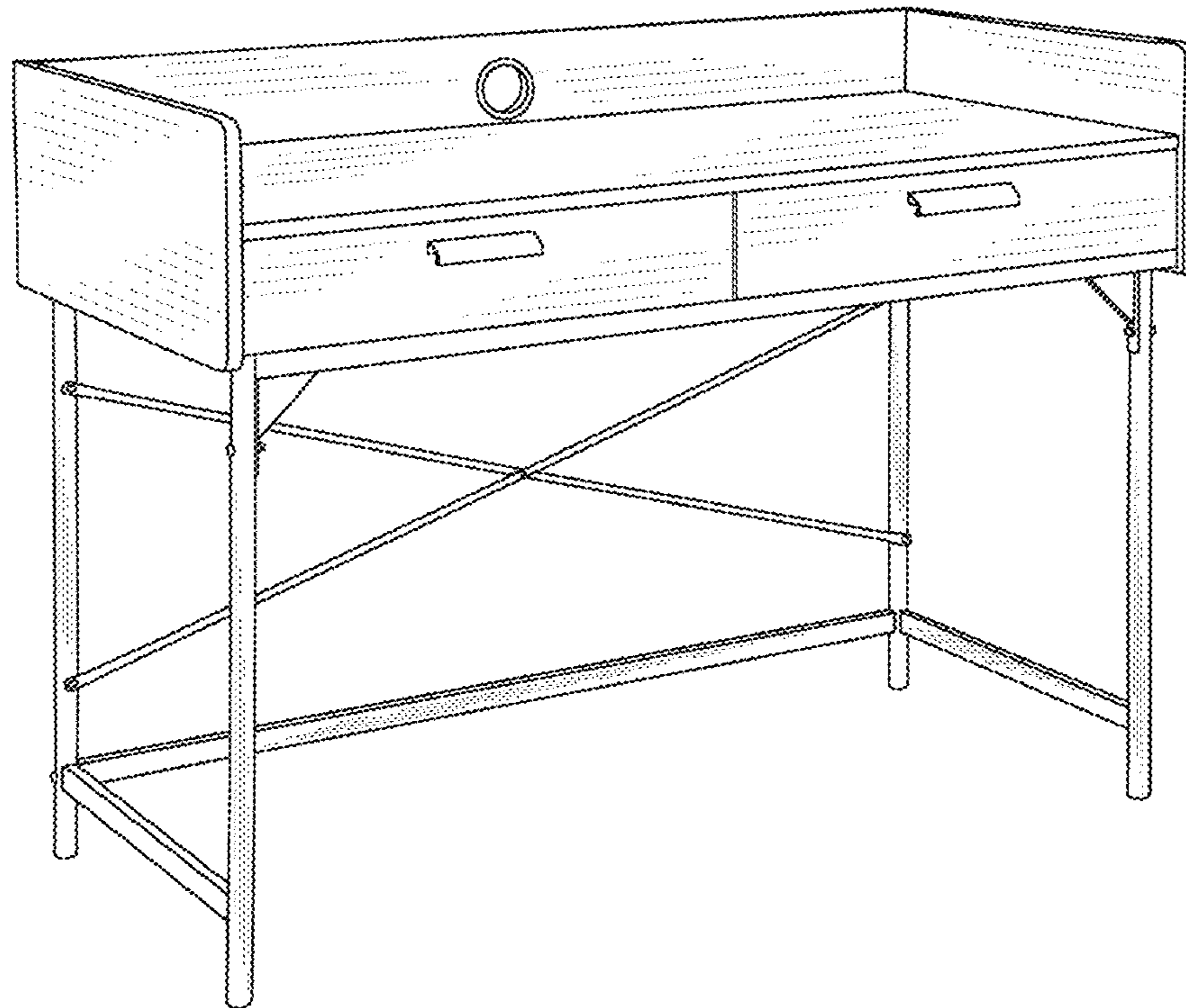


Fig.1

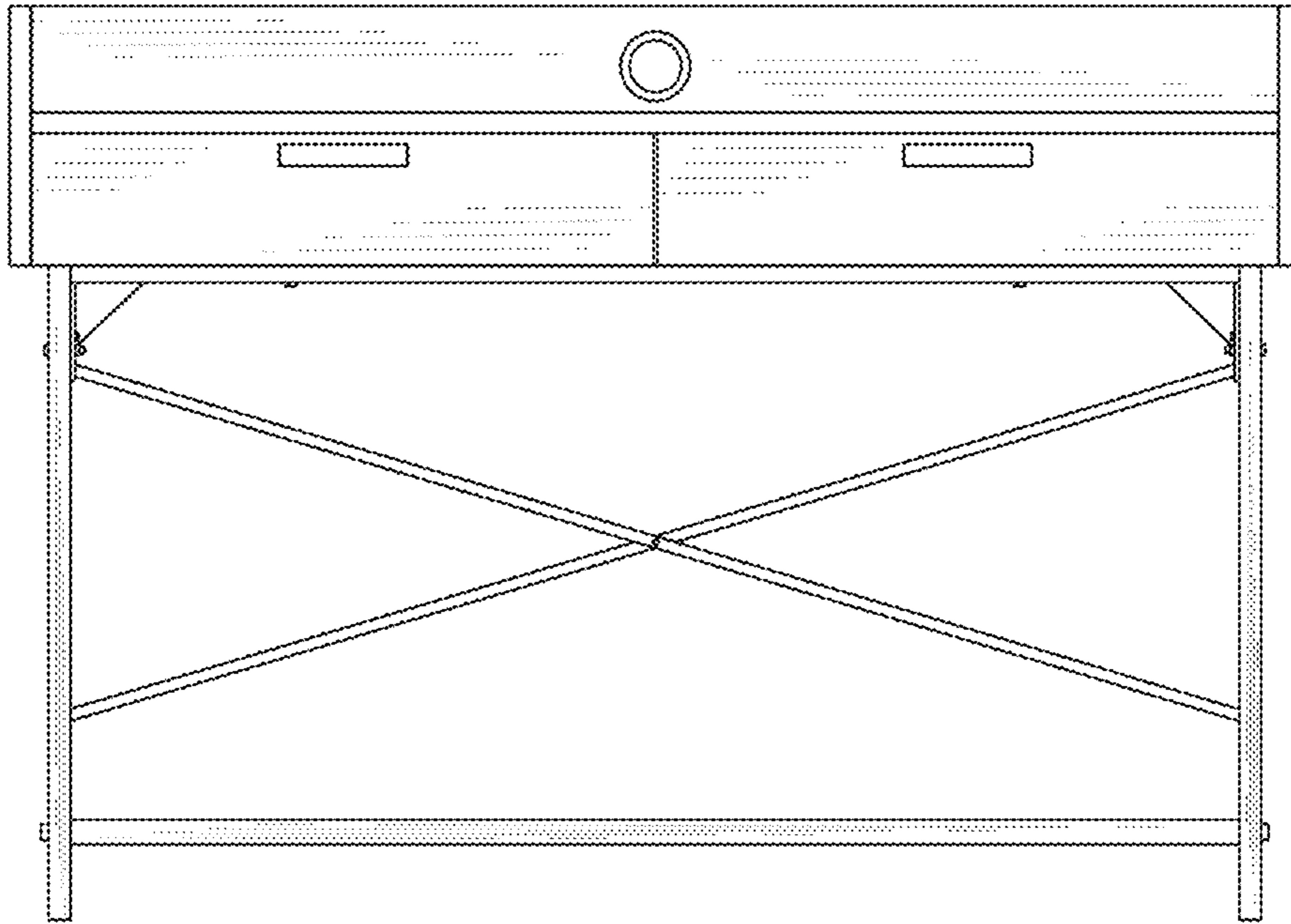


Fig. 2

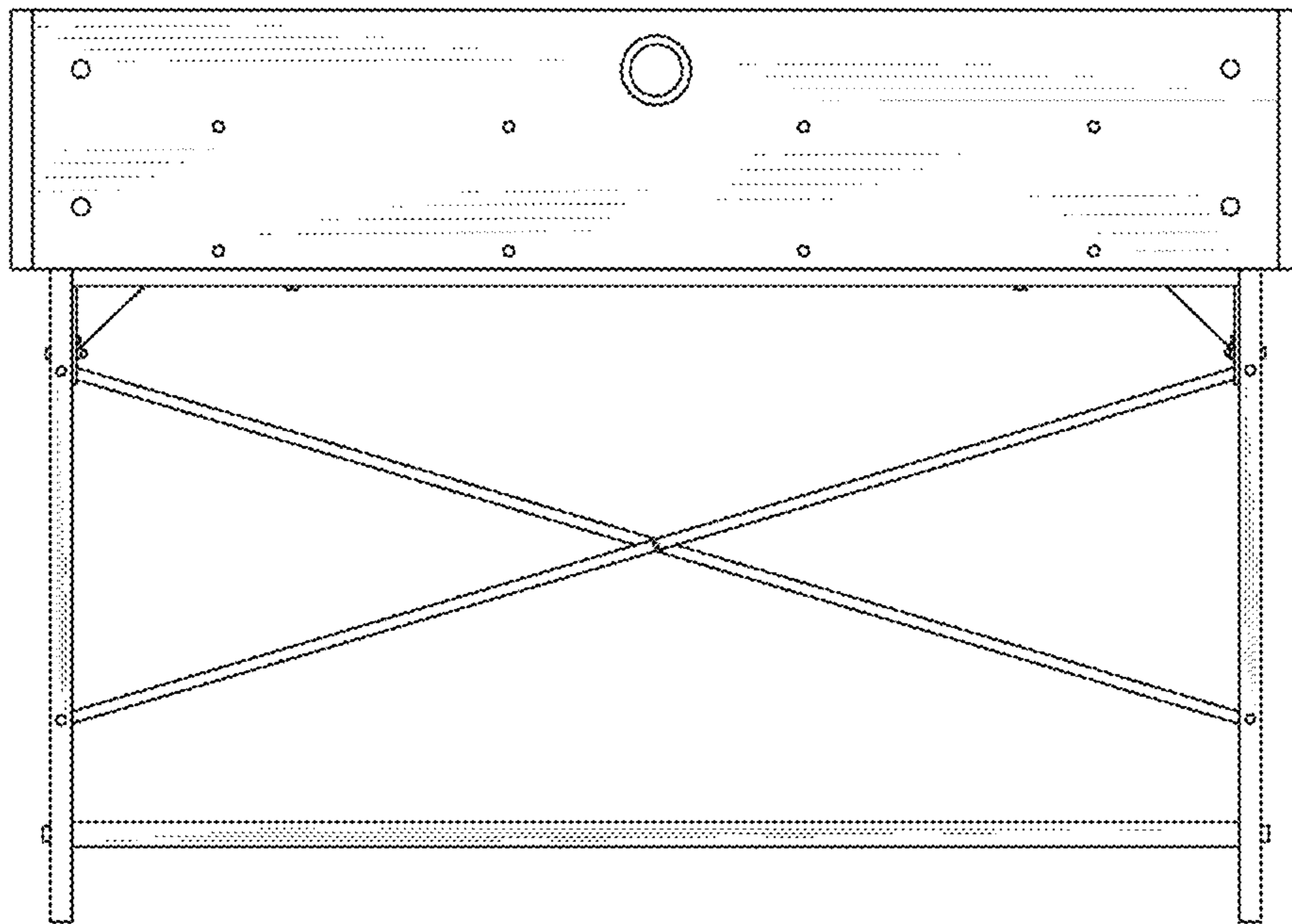


Fig.3

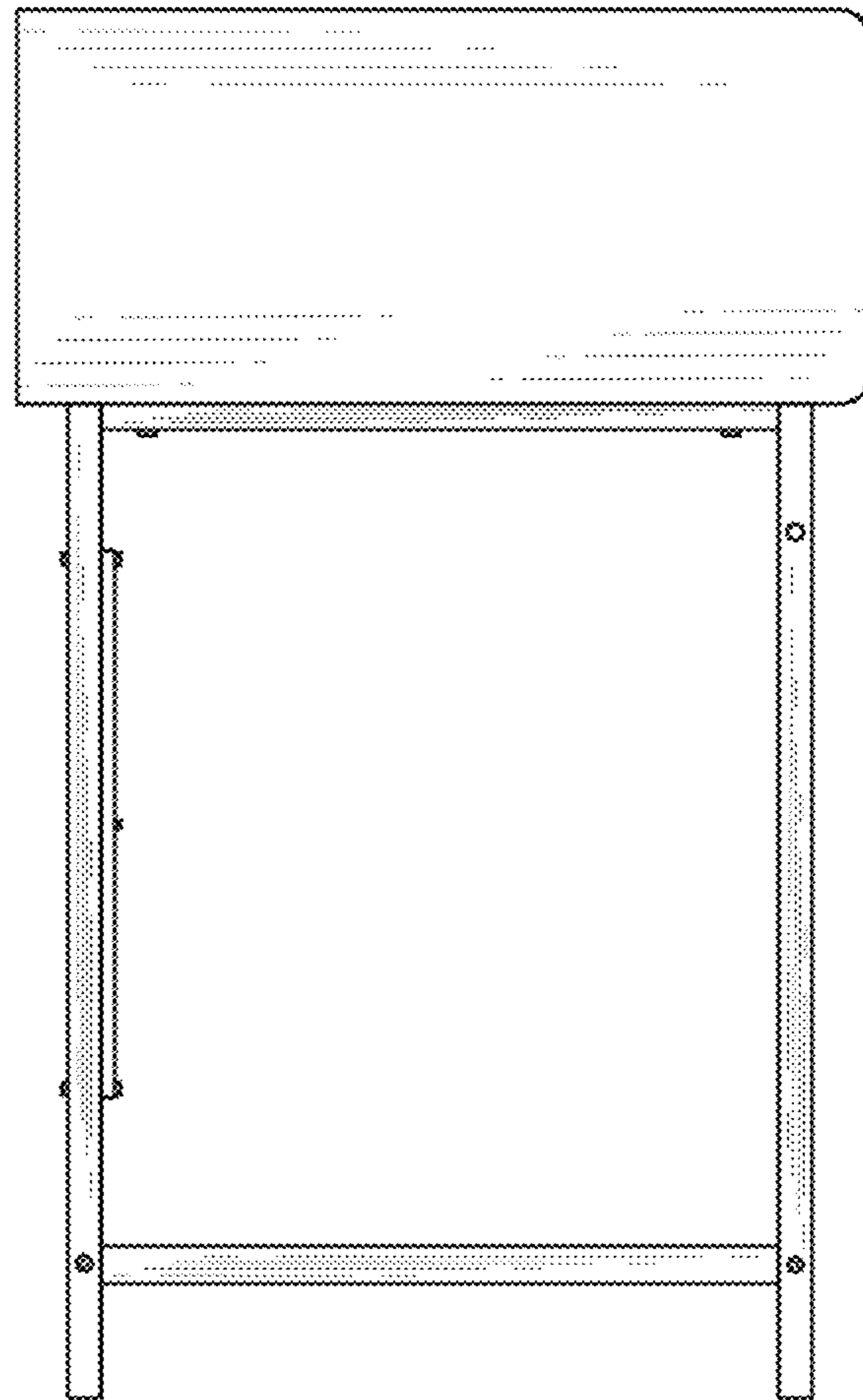


Fig.4



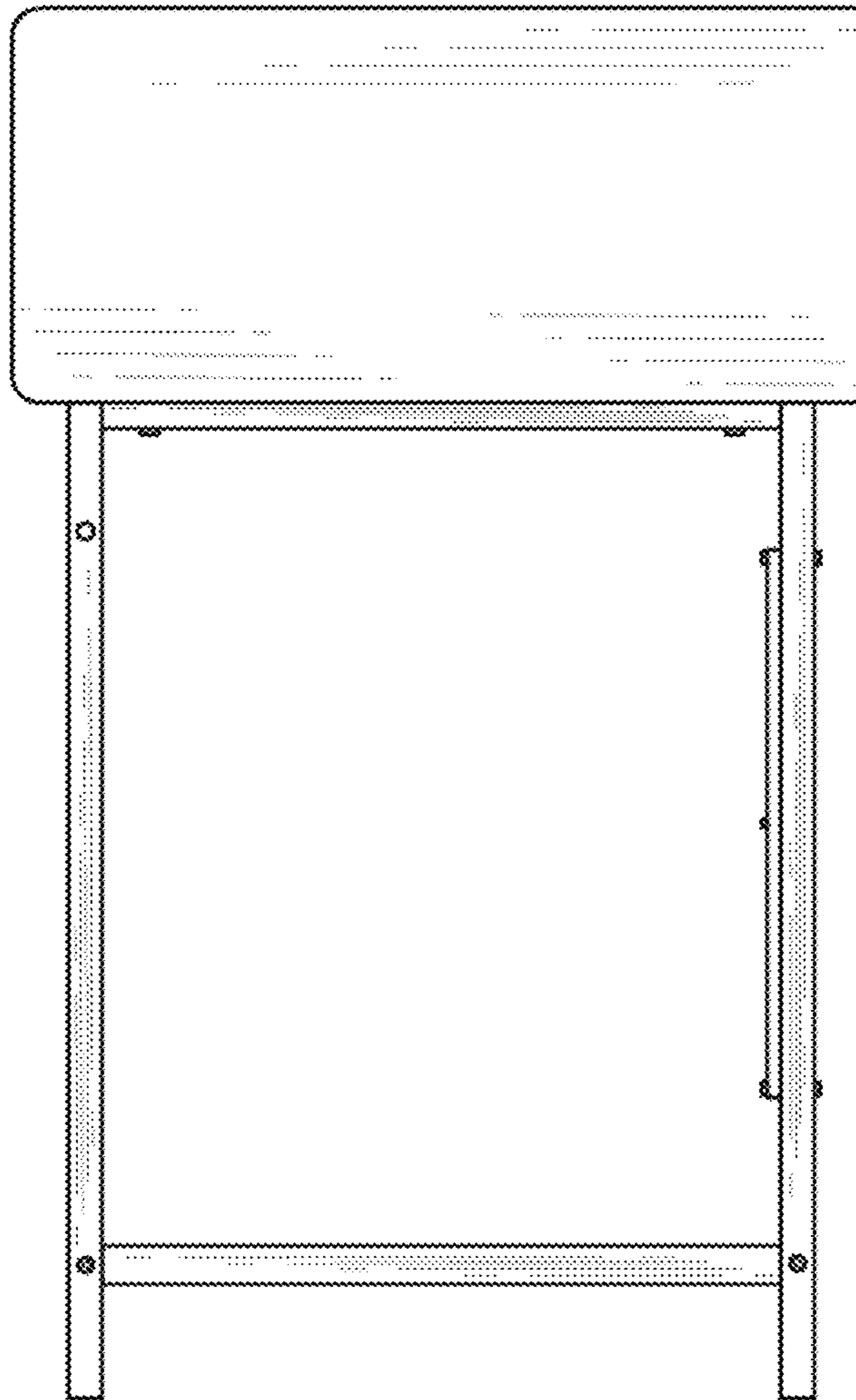


Fig.5

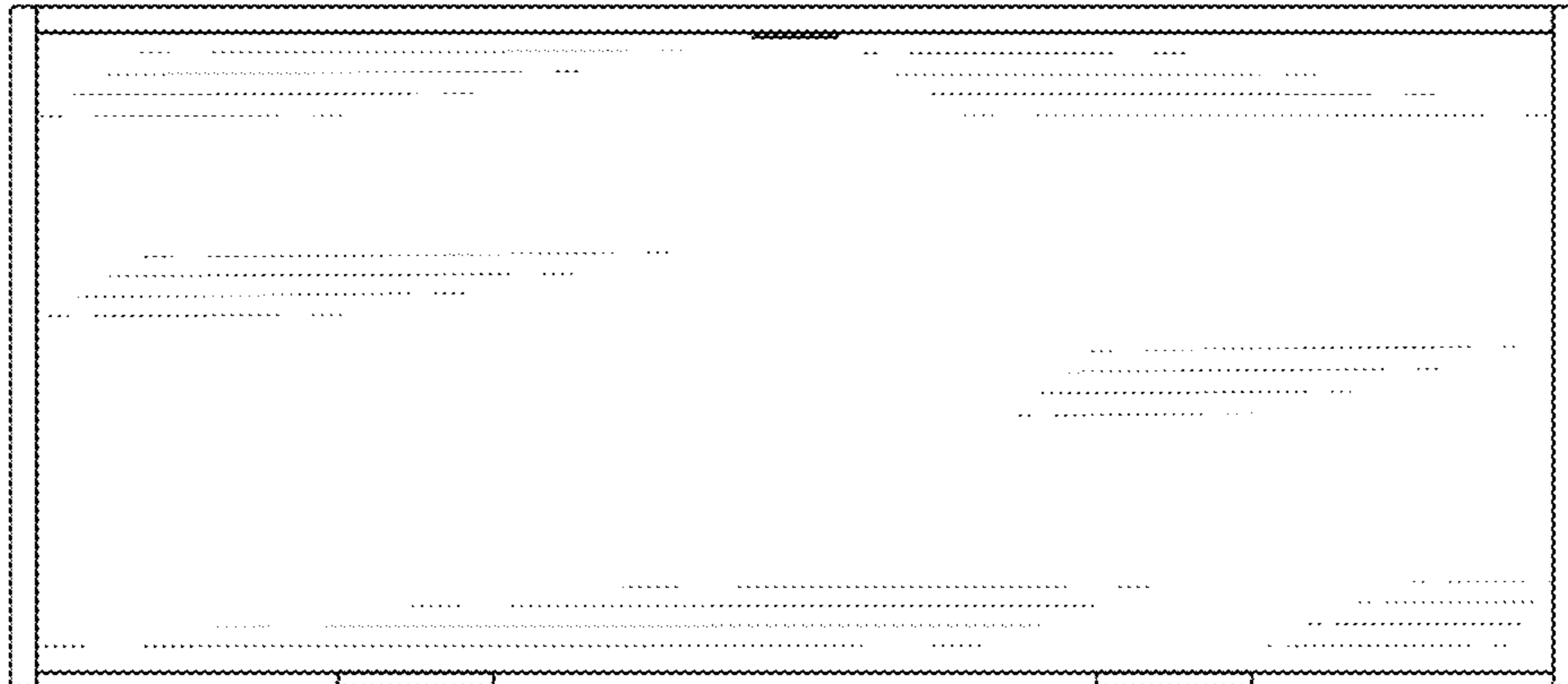


Fig.6

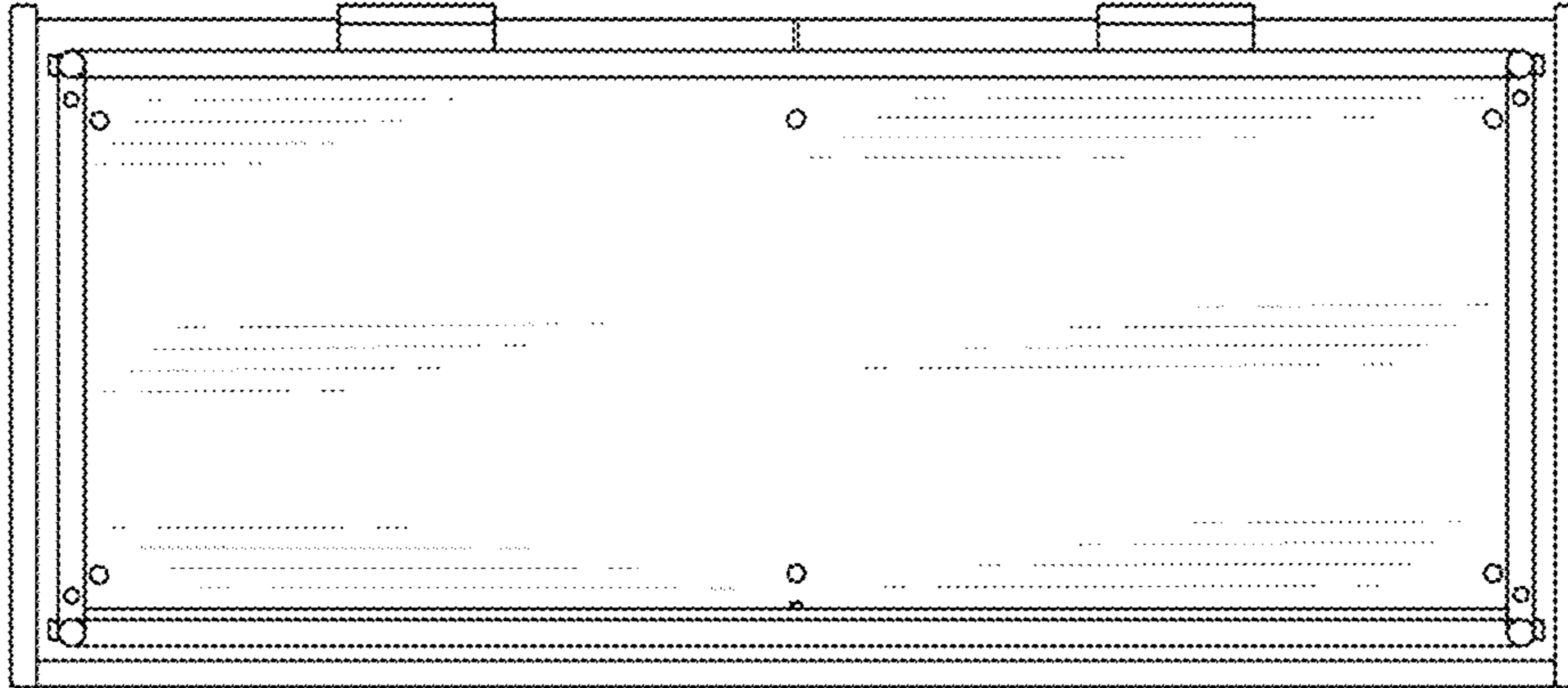


Fig.7