



US00D931648S

(12) **United States Design Patent**
Higgins et al.

(10) **Patent No.:** **US D931,648 S**

(45) **Date of Patent:** **** Sep. 28, 2021**

(54) **MEMORY FOAM PILLOW**

(71) Applicants: **Shawn P Higgins**, Cheyenne, WY
(US); **Ignacio Navarro De Corcuera**,
Madrid (ES)

(72) Inventors: **Shawn P Higgins**, Cheyenne, WY
(US); **Ignacio Navarro De Corcuera**,
Madrid (ES)

(73) Assignee: **Cross Innovations, LLC**, Cheyenne,
WY (US)

(**) Term: **15 Years**

(21) Appl. No.: **29/725,549**

(22) Filed: **Feb. 26, 2020**

(51) **LOC (13) Cl.** **06-09**

(52) **U.S. Cl.**
USPC **D6/601**

(58) **Field of Classification Search**
USPC D6/582–583, 587–592, 595–609,
D6/617–622; D21/803–809; D24/183
CPC A47G 9/00; A47G 2009/001; A47G
2009/002; A47G 2009/003; A47G 9/10;
A47G 9/1009; A47G 2009/1018; A47G
9/1045; A47G 9/1081; A47G 9/109;
A61G 7/072

See application file for complete search history.

(56) **References Cited**

U.S. PATENT DOCUMENTS

D414,368 S * 9/1999 Wingard D6/601
D634,960 S * 3/2011 Anson D6/601

D750,397 S * 3/2016 Werner D6/601
D829,470 S * 10/2018 Huang D6/601
D848,180 S * 5/2019 Huang D6/601
D856,707 S * 8/2019 Wilt D6/601
D867,021 S * 11/2019 Yang D6/601
D874,186 S * 2/2020 Mi D6/601
D898,429 S * 10/2020 Huang D6/601
D913,013 S * 3/2021 Rensin D6/601
2020/0214480 A1 * 7/2020 Haney A47G 9/1045

* cited by examiner

Primary Examiner — Jennifer L Rempfer

(74) *Attorney, Agent, or Firm* — Dan B Law PLLC;
Daniel S. Bretzius

(57) **CLAIM**

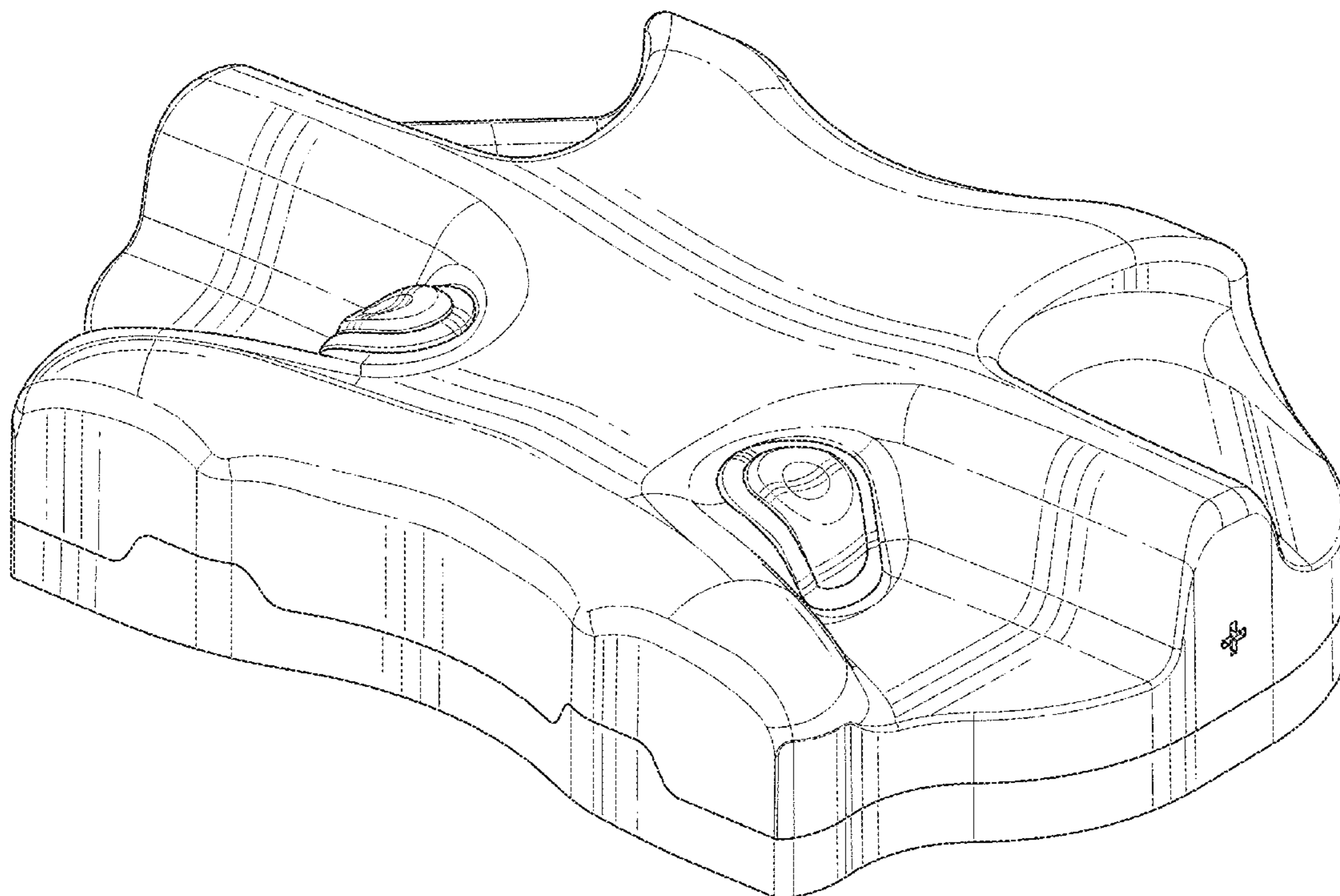
The ornamental design for a memory foam pillow, as shown
and described.

DESCRIPTION

FIG. 1 is a top perspective view of a memory foam pillow
showing our new design;
FIG. 2 is a top view thereof;
FIG. 3 is a bottom view thereof;
FIG. 4 is a left side view thereof;
FIG. 5 is a right side view thereof;
FIG. 6 is a front view thereof;
FIG. 7 is a rear view thereof; and,
FIG. 8 is an exploded top perspective view of the memory
foam pillow of the present invention.

The surface shading illustrated in the drawings is provided
merely to highlight the contour of the design and forms part
of the claimed design.

1 Claim, 8 Drawing Sheets



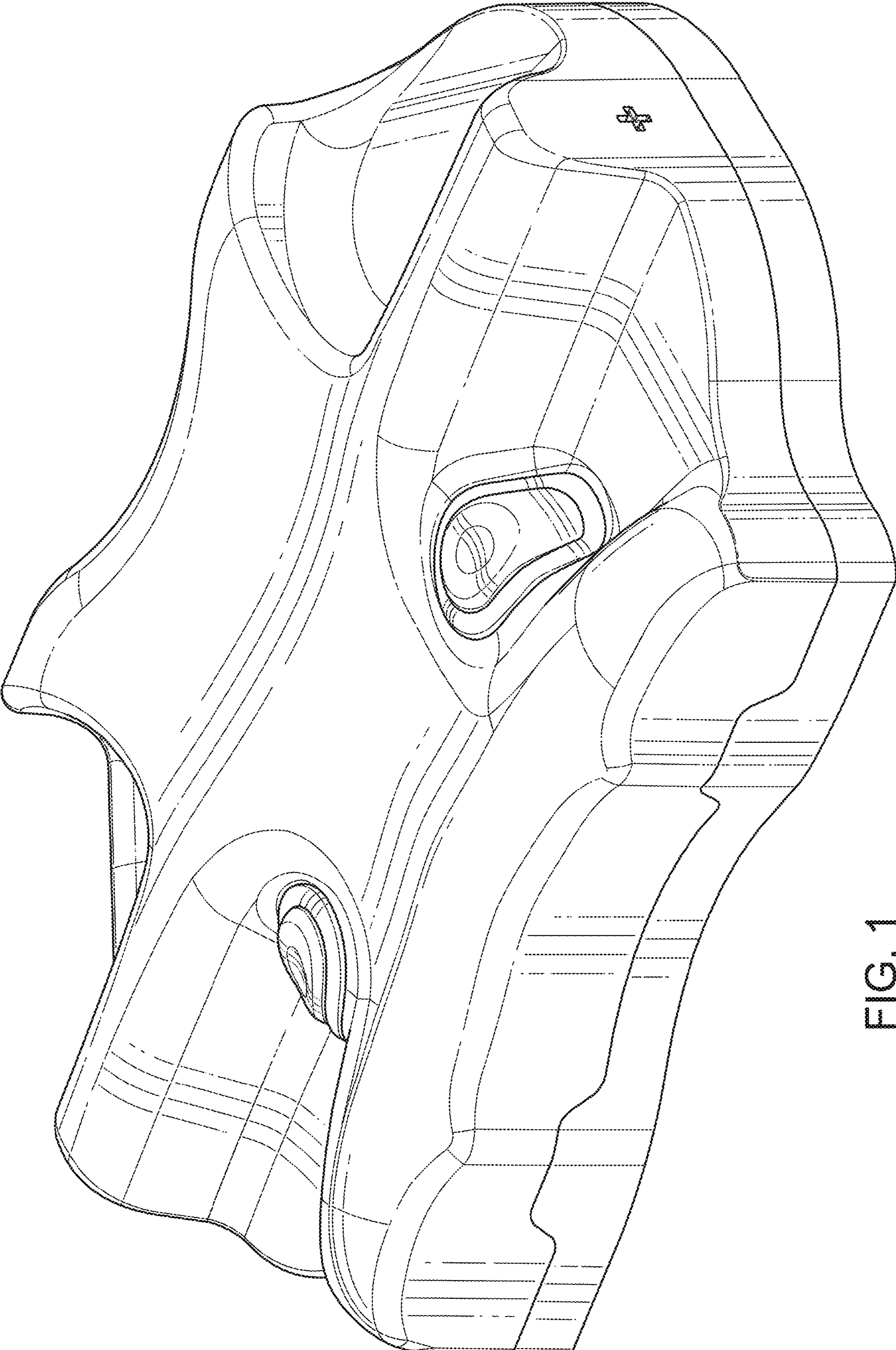


FIG. 1

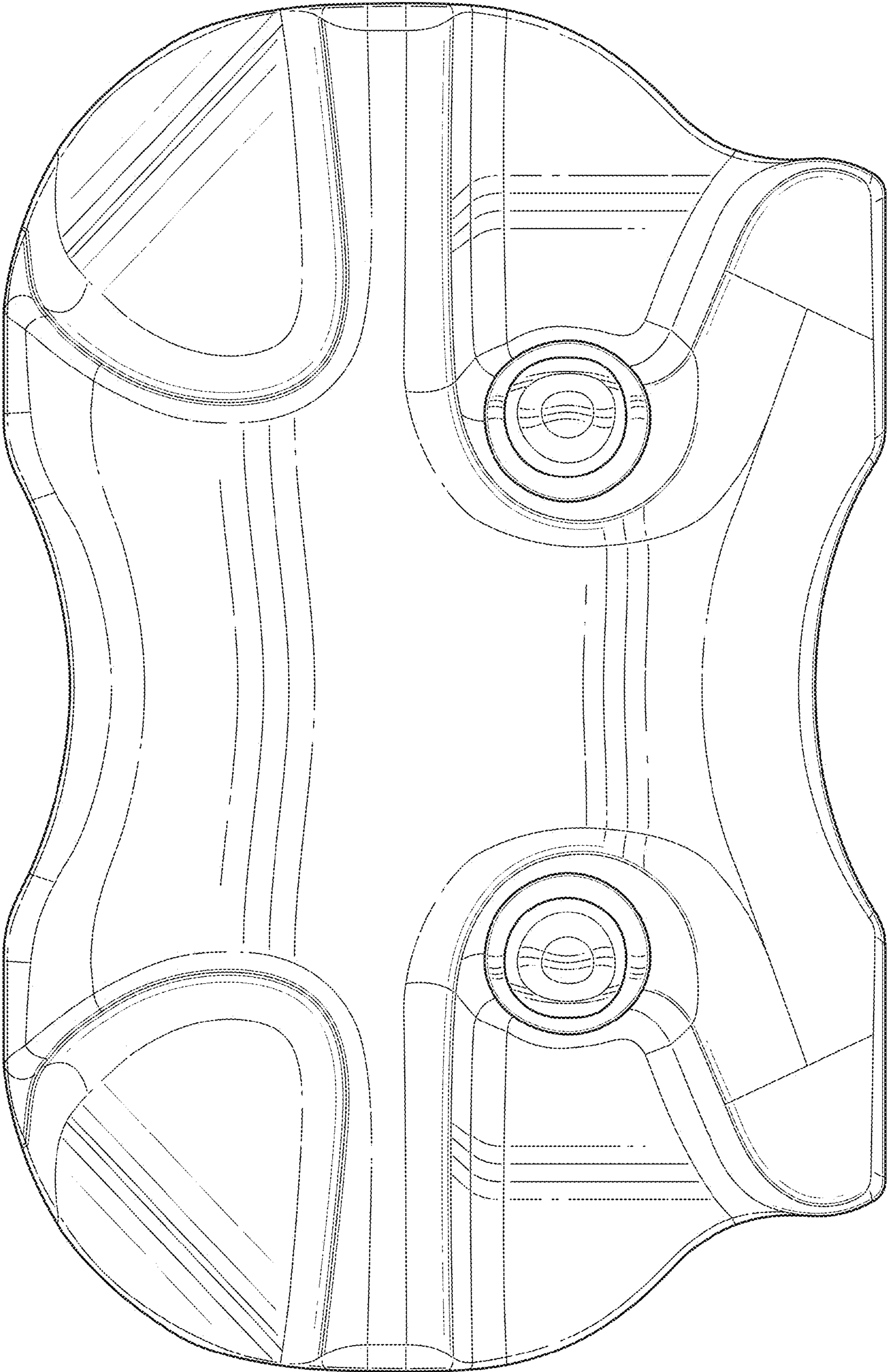


FIG. 2

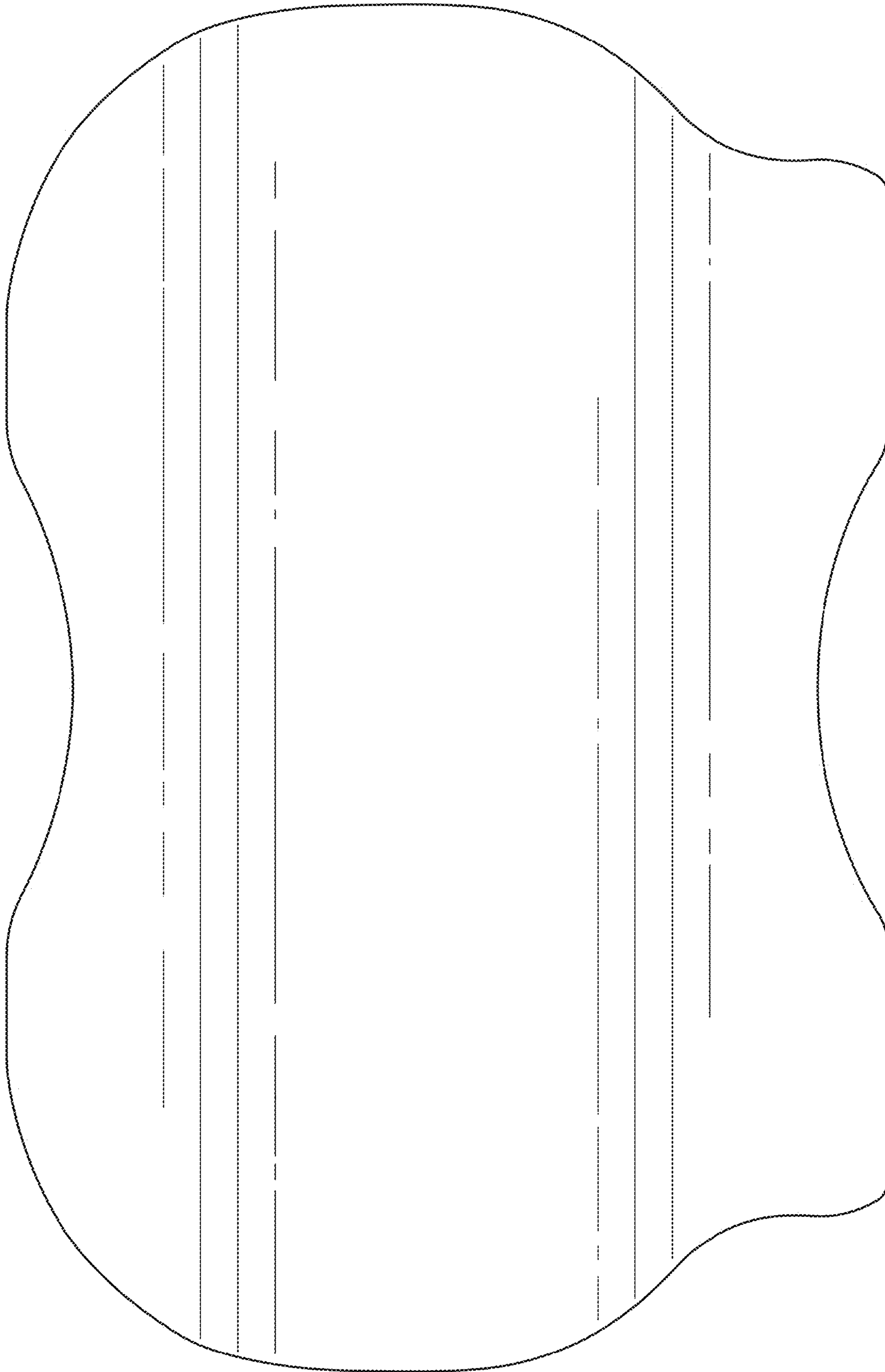


FIG. 3

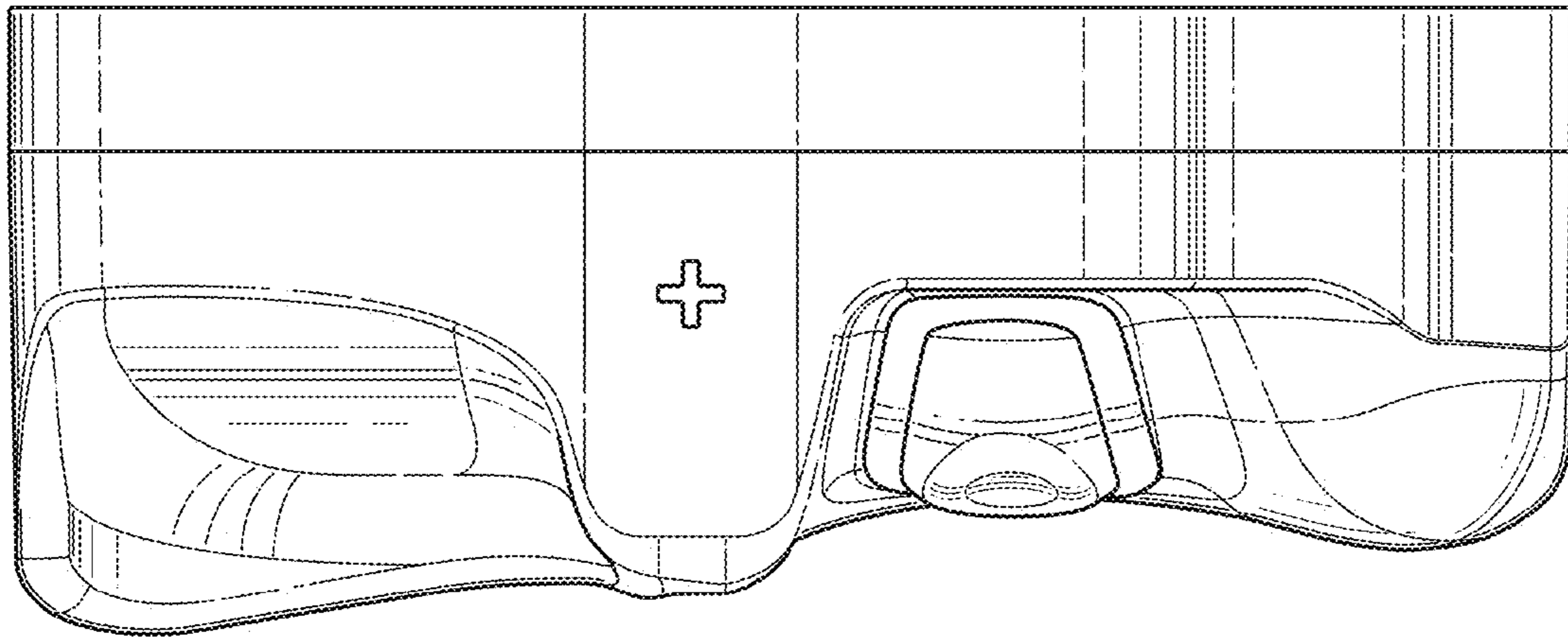


FIG. 4

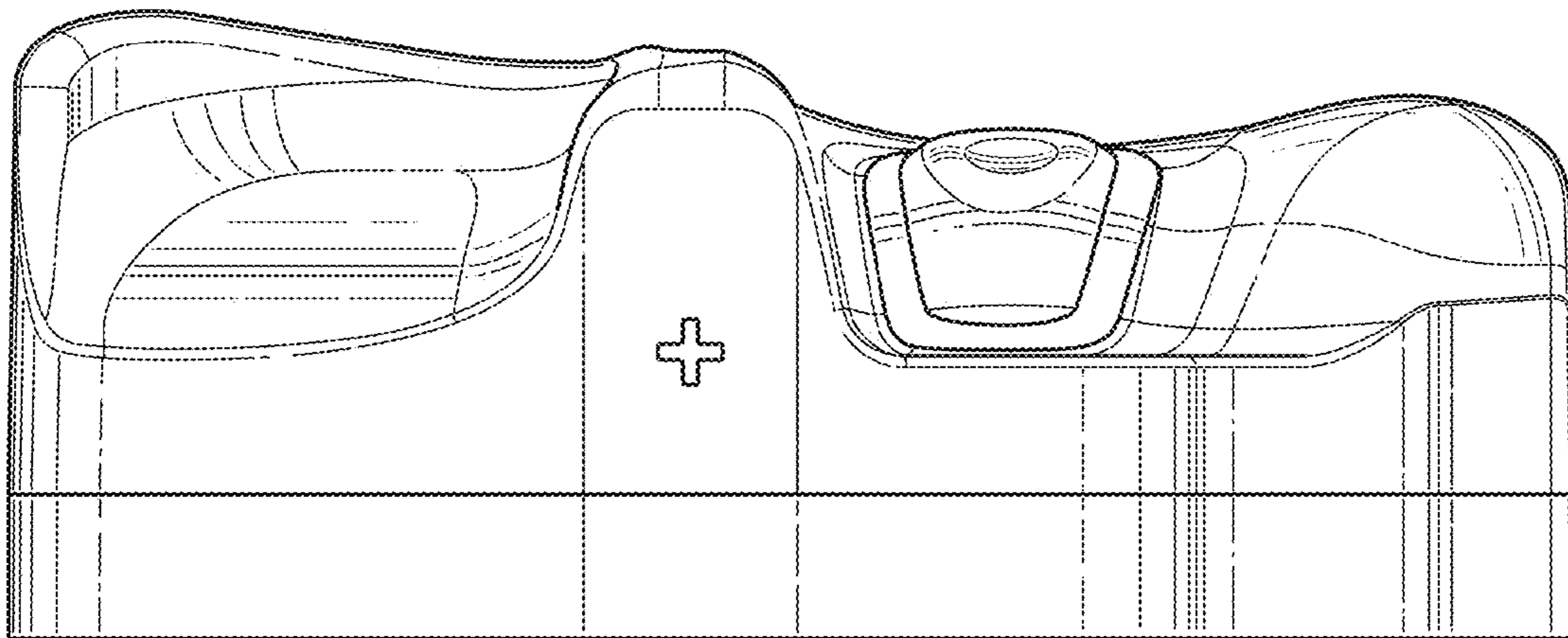


FIG. 5

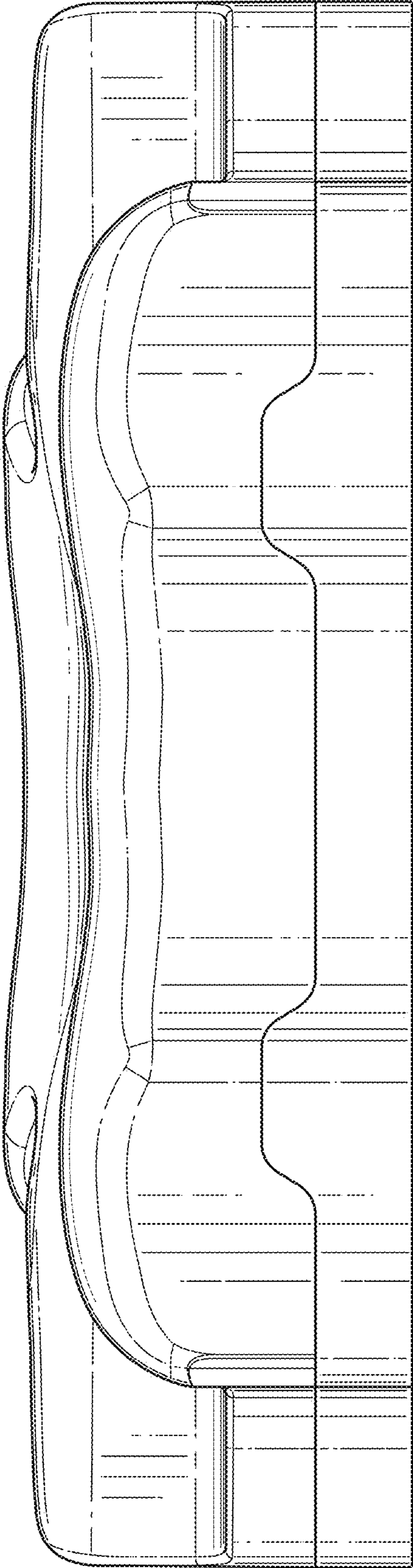


FIG. 6

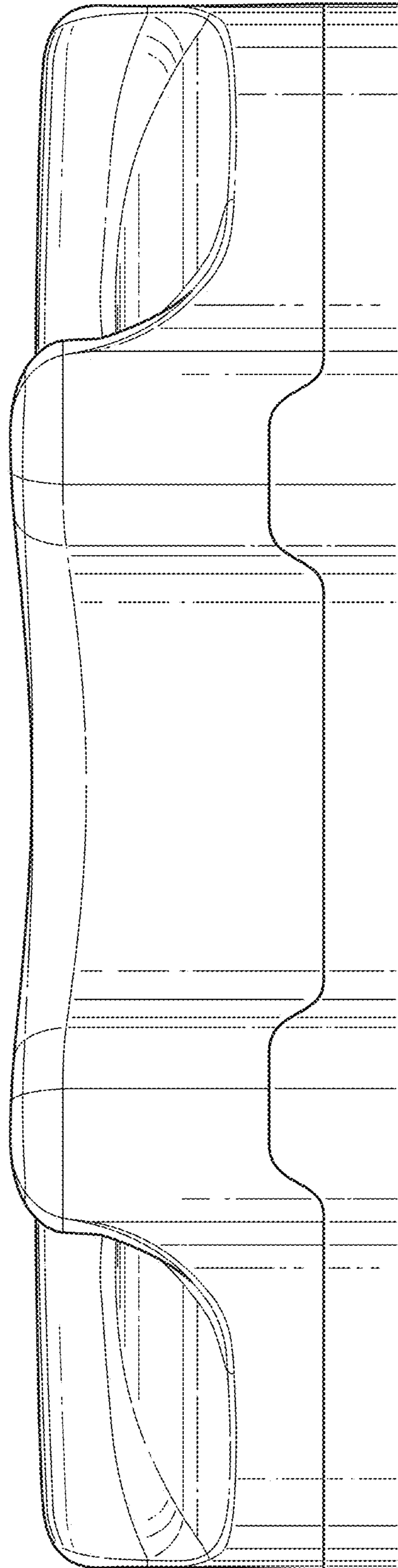


FIG. 7

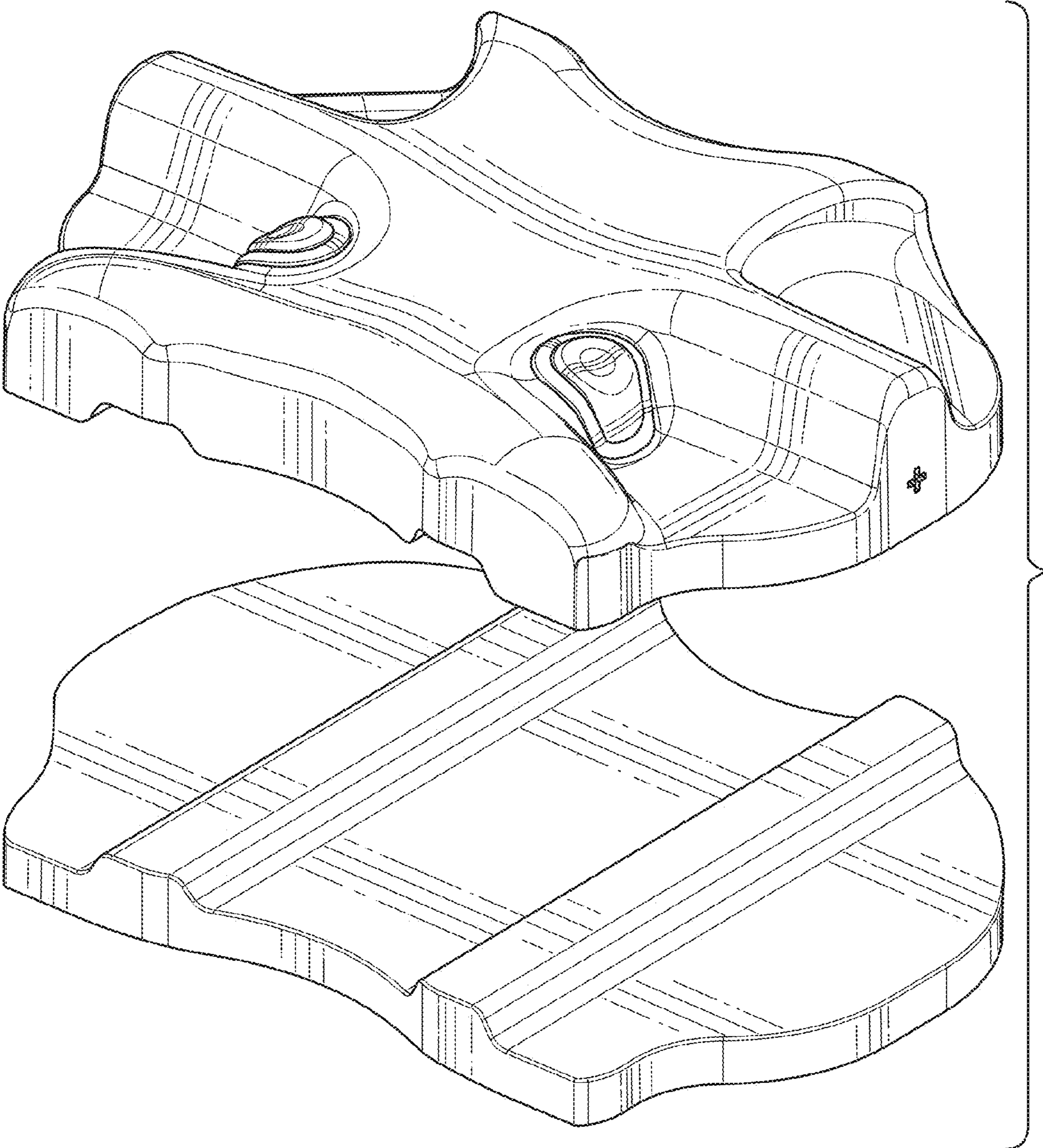


FIG. 8