



US00D931647S

(12) **United States Design Patent** (10) **Patent No.:** **US D931,647 S**
Tian (45) **Date of Patent:** **** Sep. 28, 2021**

(54) **SOFA**

FOREIGN PATENT DOCUMENTS

(71) Applicant: **Xuming Tian**, Liuyang (CN)

DE 402018203255-0003 * 9/2018

(72) Inventor: **Xuming Tian**, Liuyang (CN)

OTHER PUBLICATIONS

(**) Term: **15 Years**

(21) Appl. No.: **29/743,781**

Christopher Knight Sectional Sofa [online], [site visited Aug. 11, 2021], Available from internet, URL: <https://www.amazon.com/Christopher-Knight-Home-Sectional-Emerald/dp/B083W17XMK/ref=sr_1_31?dchild=1&keywords=tufted%2Bsectional%2Bsofa&qid=1628685546&sr=8-31&th=1> (Year: 2020).*

(22) Filed: **Jul. 24, 2020**

Meridian Furniture Sabrina Sectional [online], [site visited Aug. 11, 2021], Available from internet, URL: <https://www.amazon.com/dp/B0758M8PZ8/?tag=locamoda-20&th=1> (Year: 2017).*

(51) **LOC (13) Cl.** **06-01**

(52) **U.S. Cl.**

USPC **D6/381**

(58) **Field of Classification Search**

USPC D6/334-337, 349, 369, 374, 375, 377, D6/381

CPC .. A47C 7/24; A47C 7/54; A47C 7/541; A47C 7/546; A47C 17/00; A47C 17/02; A47C 17/04; A47C 17/045; A47C 17/12; A47C 17/13; A47C 17/132; A47C 17/134; A47C 17/136; A47C 17/16; A47C 17/162; A47C 17/17

See application file for complete search history.

Adnelis Sectional Sofa [online], [site visited Aug. 11, 2021], Available from internet, URL: <https://www.furnituredepot.com/adnelis-sectional-sofa-57325-in-gray-velvet-by-acme-p-58841.html> (Year: 2021).*

* cited by examiner

Primary Examiner — Cynthia Ramirez

Assistant Examiner — Xavier Marti-Santos

(56) **References Cited**

U.S. PATENT DOCUMENTS

D399,361 S	*	10/1998	Natuzzi	D6/381
D399,362 S	*	10/1998	Natuzzi	D6/381
D399,363 S	*	10/1998	Natuzzi	D6/381
D504,033 S	*	4/2005	Ricci	D6/335
D514,347 S	*	2/2006	Natuzzi	D6/381
D527,197 S	*	8/2006	Natuzzi	D6/381
D542,047 S	*	5/2007	Nastri	D6/381
D584,523 S	*	1/2009	Ricci	D6/381
D584,526 S	*	1/2009	Ricci	D6/381
D587,479 S	*	3/2009	Thompson	D6/381
D616,664 S	*	6/2010	Natuzzi	D6/381
D717,063 S	*	11/2014	Zhang	D6/381
D893,215 S	*	8/2020	Qiu	D6/381

(57) **CLAIM**

The ornamental design for a sofa, as shown and described.

DESCRIPTION

FIG. 1 is a perspective view of a sofa showing my new design;

FIG. 2 is another perspective view thereof;

FIG. 3 is another perspective view thereof;

FIG. 4 is a front elevational view thereof;

FIG. 5 is a rear elevational view thereof;

FIG. 6 is a left side elevational view thereof;

FIG. 7 is a right side elevational view thereof;

FIG. 8 is a top plan view thereof; and,

FIG. 9 is a bottom plan view thereof.

1 Claim, 9 Drawing Sheets

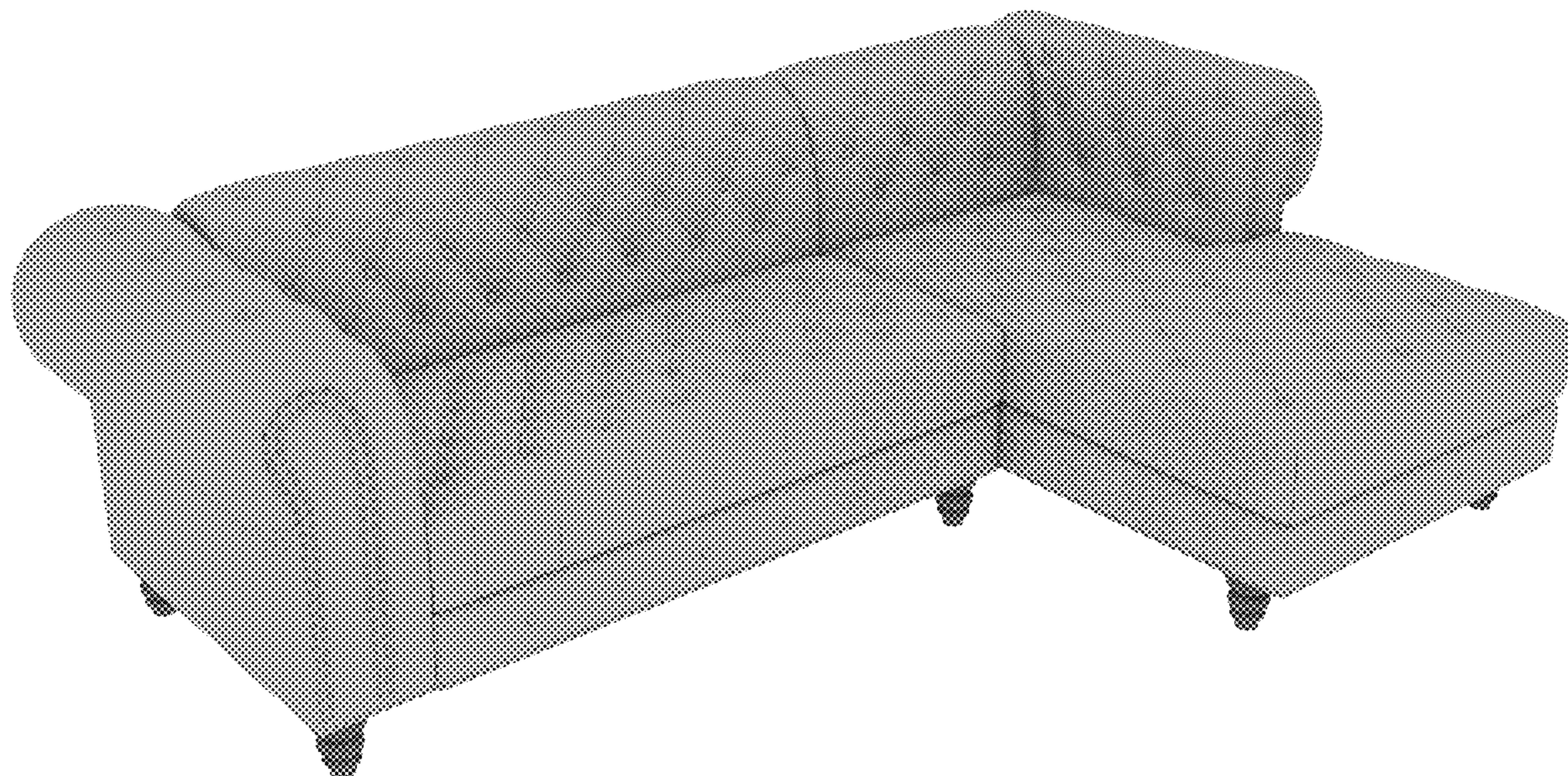




FIG. 1

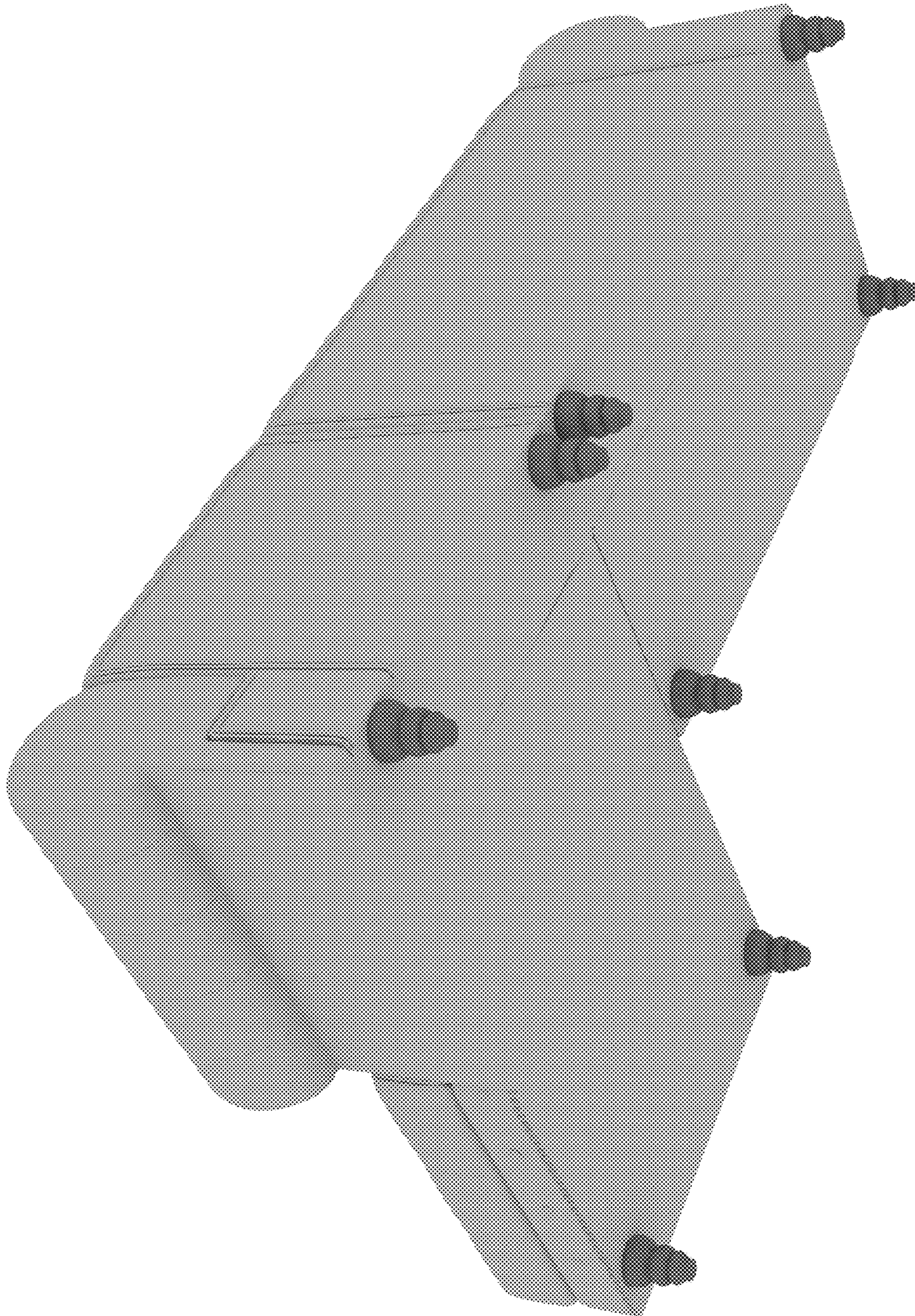


FIG. 2

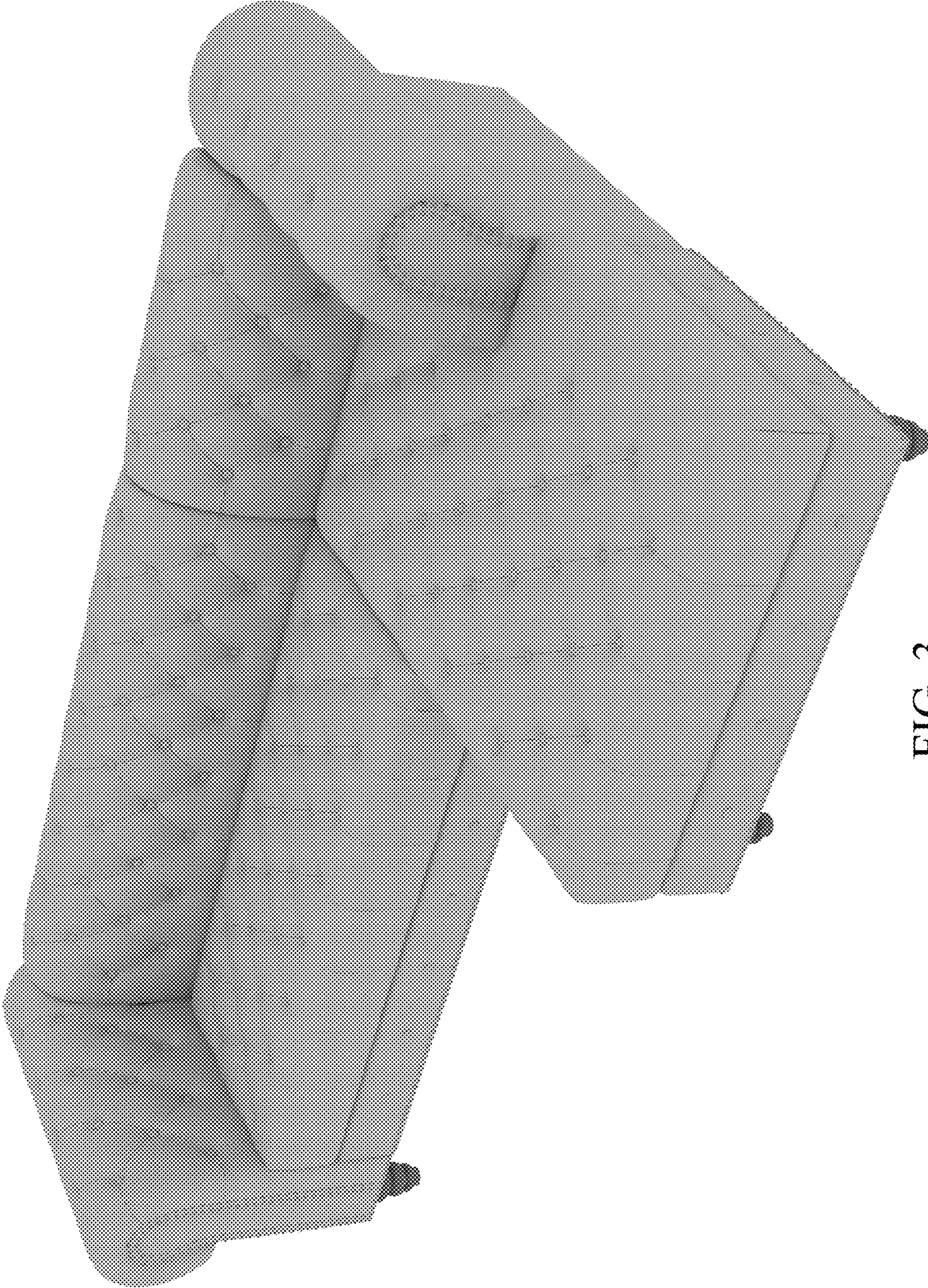


FIG. 3

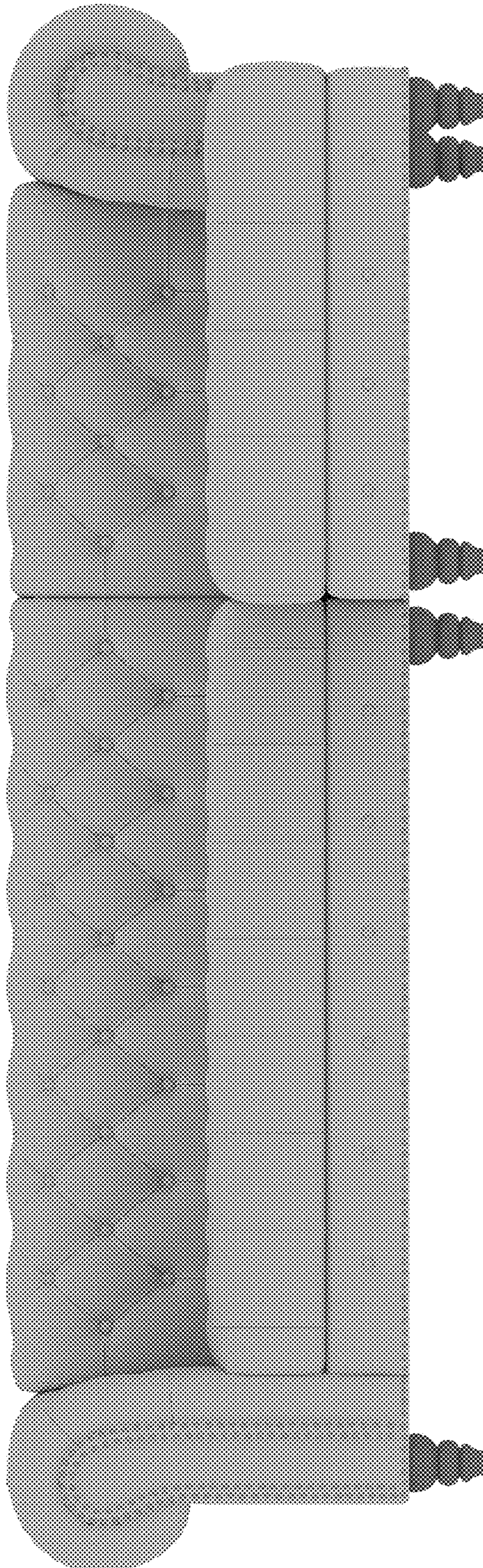


FIG. 4

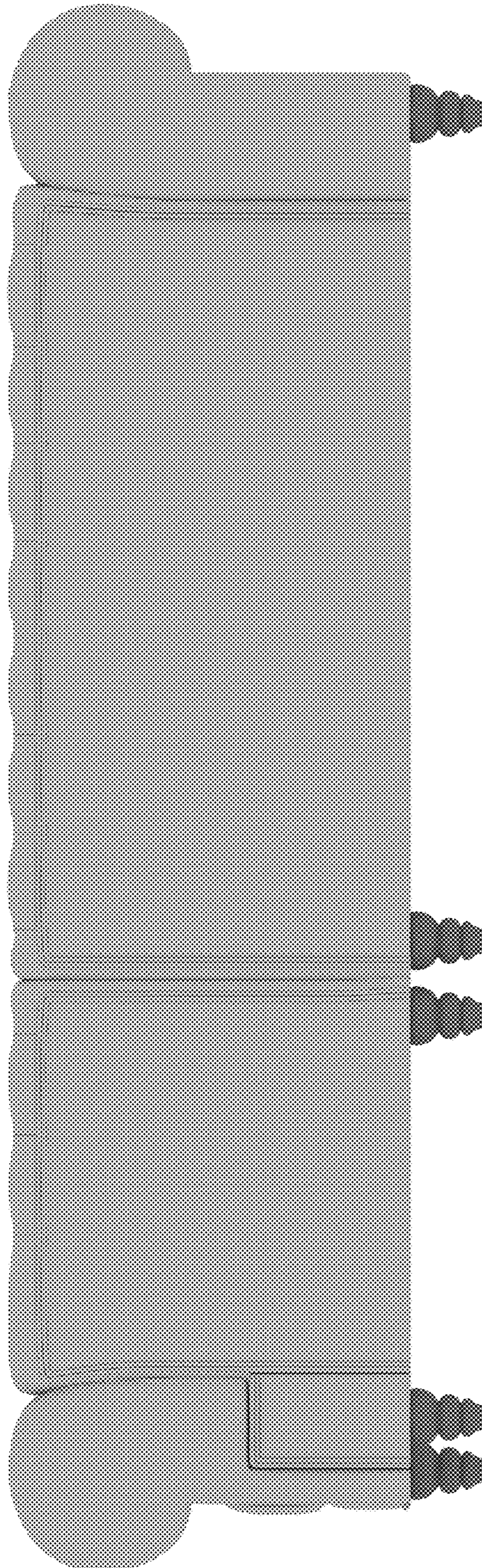


FIG. 5

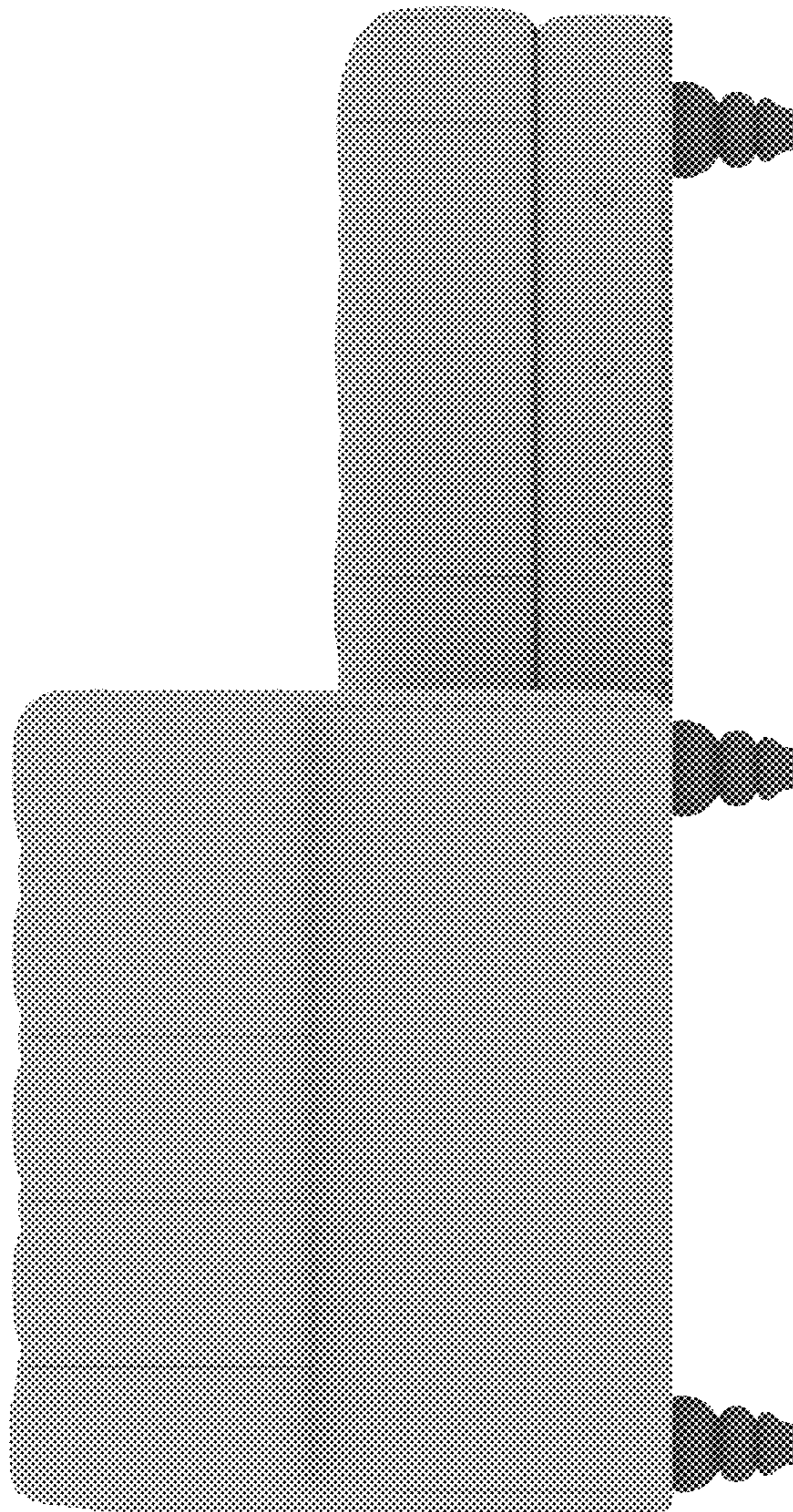


FIG. 6

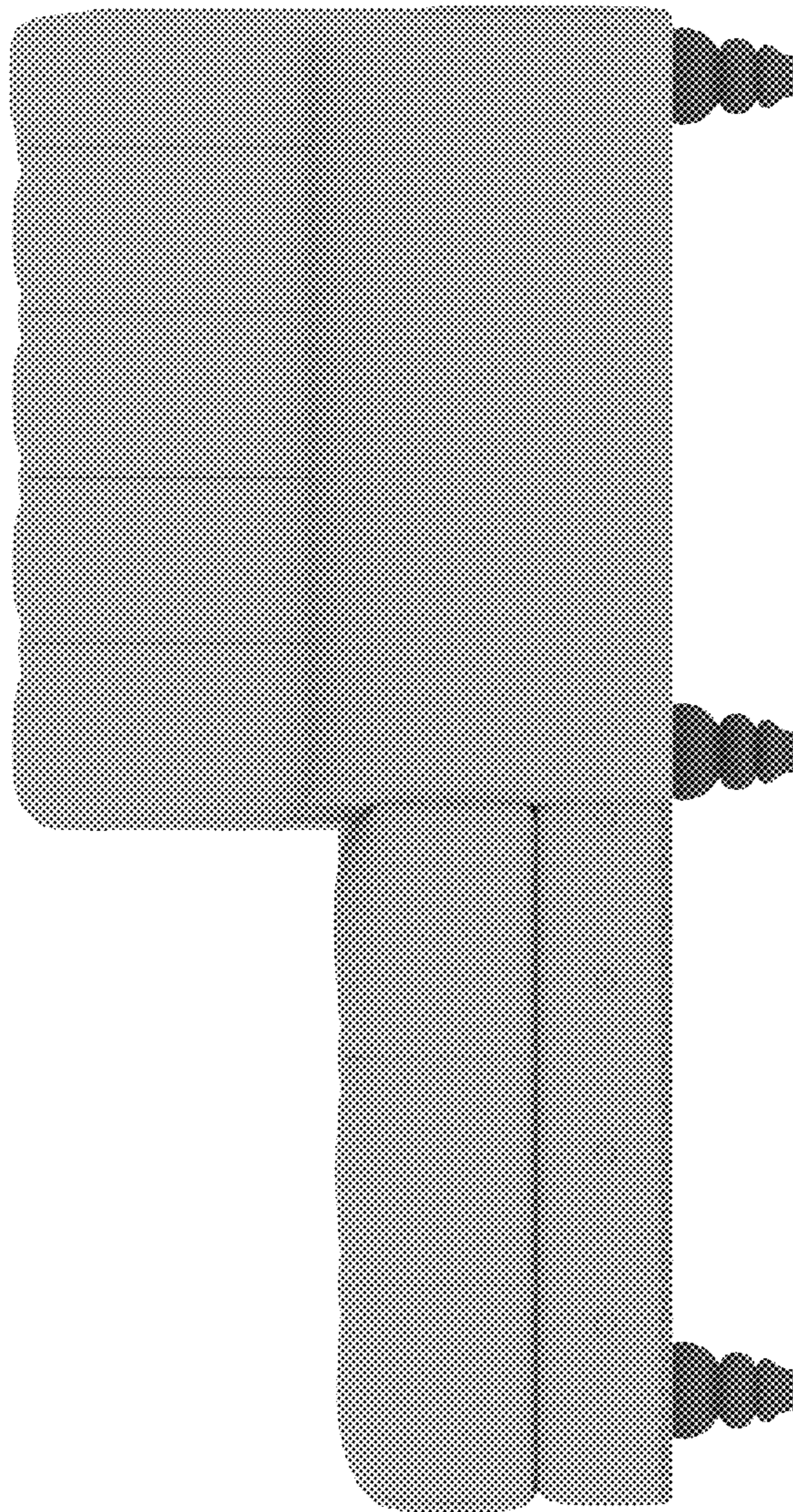


FIG. 7

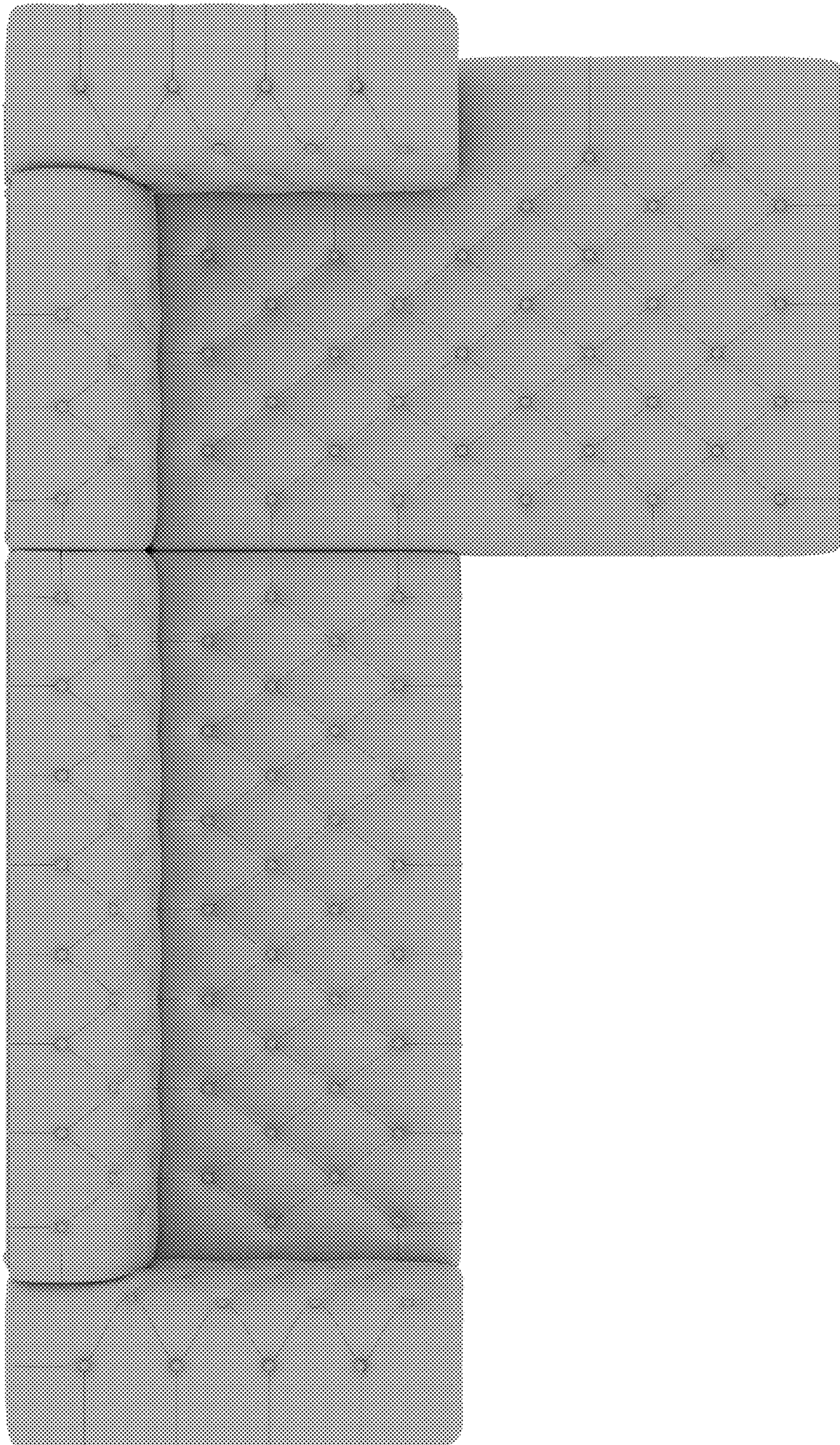


FIG. 8

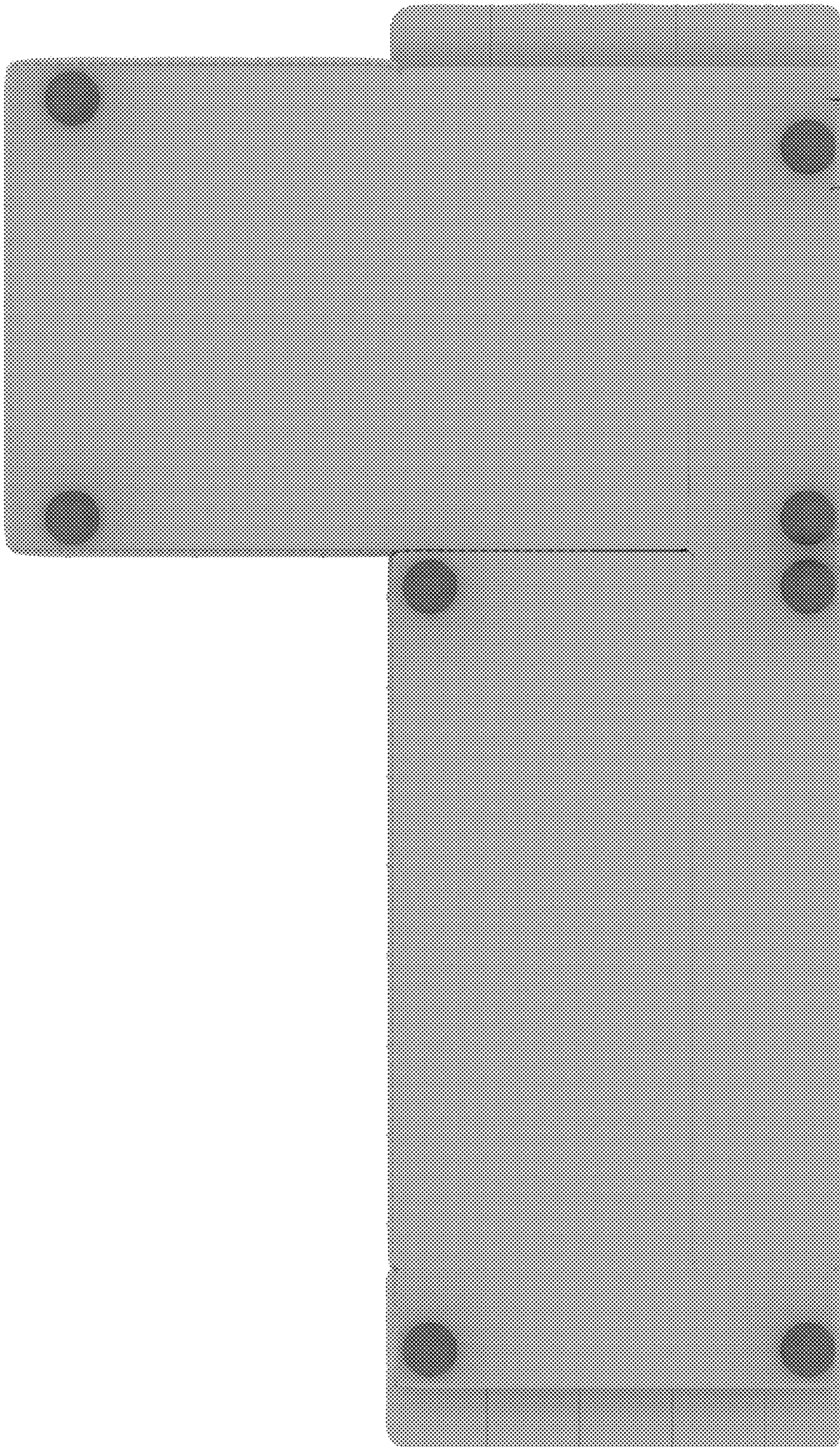


FIG. 9