



US00D931640S

(12) **United States Design Patent**
Feng

(10) **Patent No.:** **US D931,640 S**

(45) **Date of Patent:** **** Sep. 28, 2021**

(54) **SWIVEL CHAIR**

(71) Applicant: **Zhejiang Sharing Space Technology Co., Ltd.**, Hangzhou (CN)

(72) Inventor: **Xiaowei Feng**, Hangzhou (CN)

(73) Assignee: **Zhejiang Sharing Space Technology Co., Ltd.**, Hangzhou (CN)

(**) Term: **15 Years**

(21) Appl. No.: **29/743,269**

(22) Filed: **Jul. 20, 2020**

(51) **LOC (13) Cl.** **06-01**

(52) **U.S. Cl.**
USPC **D6/366**

(58) **Field of Classification Search**
USPC D6/334, 364–367, 374–376, 379, 380,
D6/716, 716.1, 716.7
CPC A47C 1/03255; A47C 3/18; A47C 3/20;
A47C 3/26; A47C 5/04; A47C 5/06;
A47C 5/08; A47C 7/18; A47C 7/24;
A47C 7/36; A47C 7/40; A47C 7/46;
A47C 7/54

See application file for complete search history.

(56) **References Cited**

U.S. PATENT DOCUMENTS

D260,205 S * 8/1981 Buhk D6/366
D347,530 S * 6/1994 Ochsner D6/372

D354,178 S * 1/1995 Ochsner D6/366
D555,377 S * 11/2007 Pensi D6/366
D695,538 S * 12/2013 Geelen D6/366
D761,578 S * 7/2016 Neil D6/366
D781,604 S * 3/2017 Smith D6/366
D794,347 S * 8/2017 Cazzaniga D6/366
D802,314 S * 11/2017 Barber D6/366
D902,614 S * 11/2020 Peng D6/366
D906,711 S * 1/2021 Li D6/366
D908,381 S * 1/2021 Breen D6/366
D917,947 S * 5/2021 Tang D6/716

* cited by examiner

Primary Examiner — R. Johnson

(74) *Attorney, Agent, or Firm* — Bayramoglu Law Offices LLC

(57) **CLAIM**

The ornamental design for a swivel chair, as shown and described.

DESCRIPTION

FIG. 1 is a perspective view of a swivel chair showing my new design;
FIG. 2 is a front view thereof;
FIG. 3 is a rear view thereof;
FIG. 4 is a right side view thereof;
FIG. 5 is a left side view thereof;
FIG. 6 is a top view thereof; and,
FIG. 7 is a bottom view thereof.

1 Claim, 7 Drawing Sheets



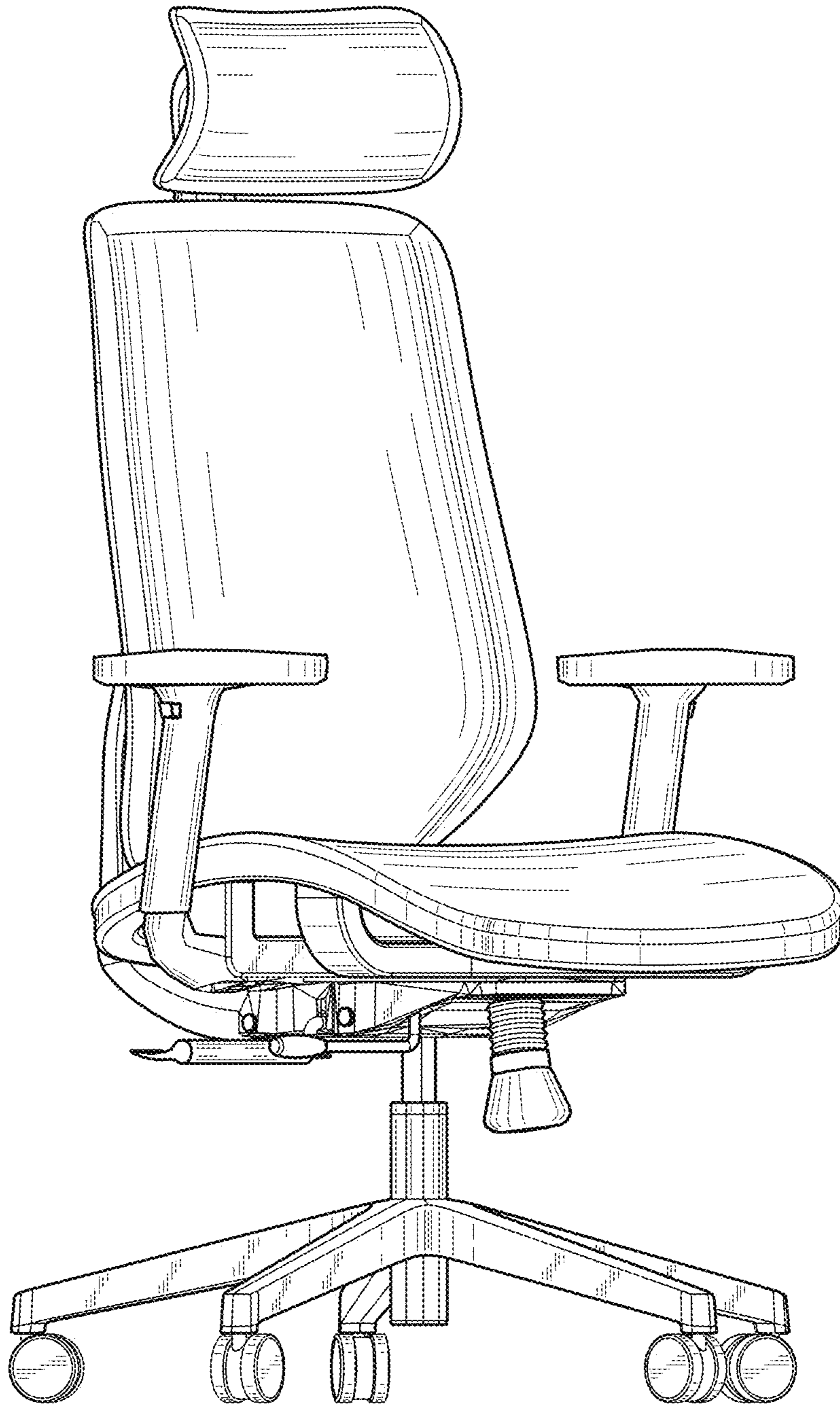


Fig. 1

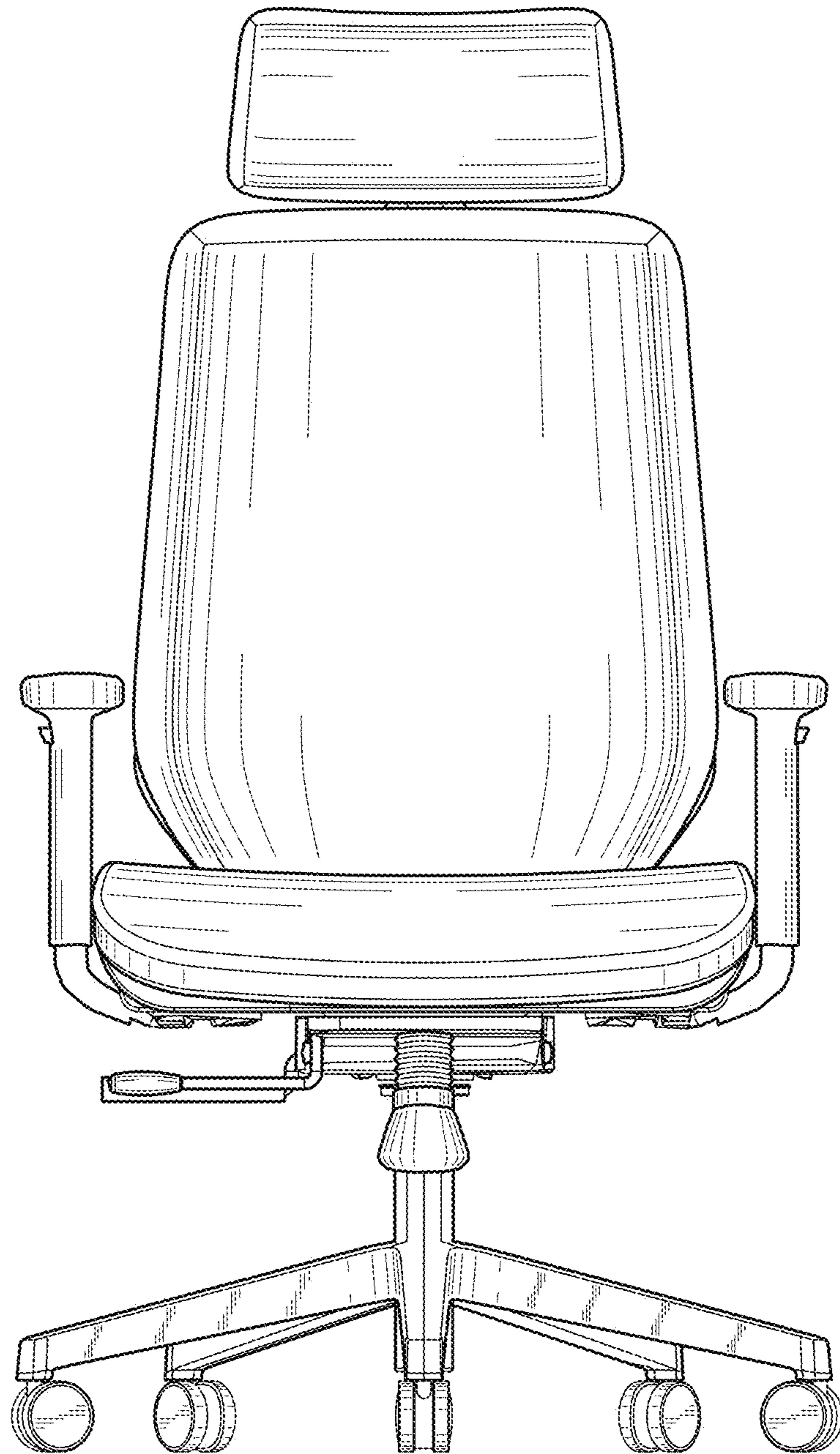


Fig. 2

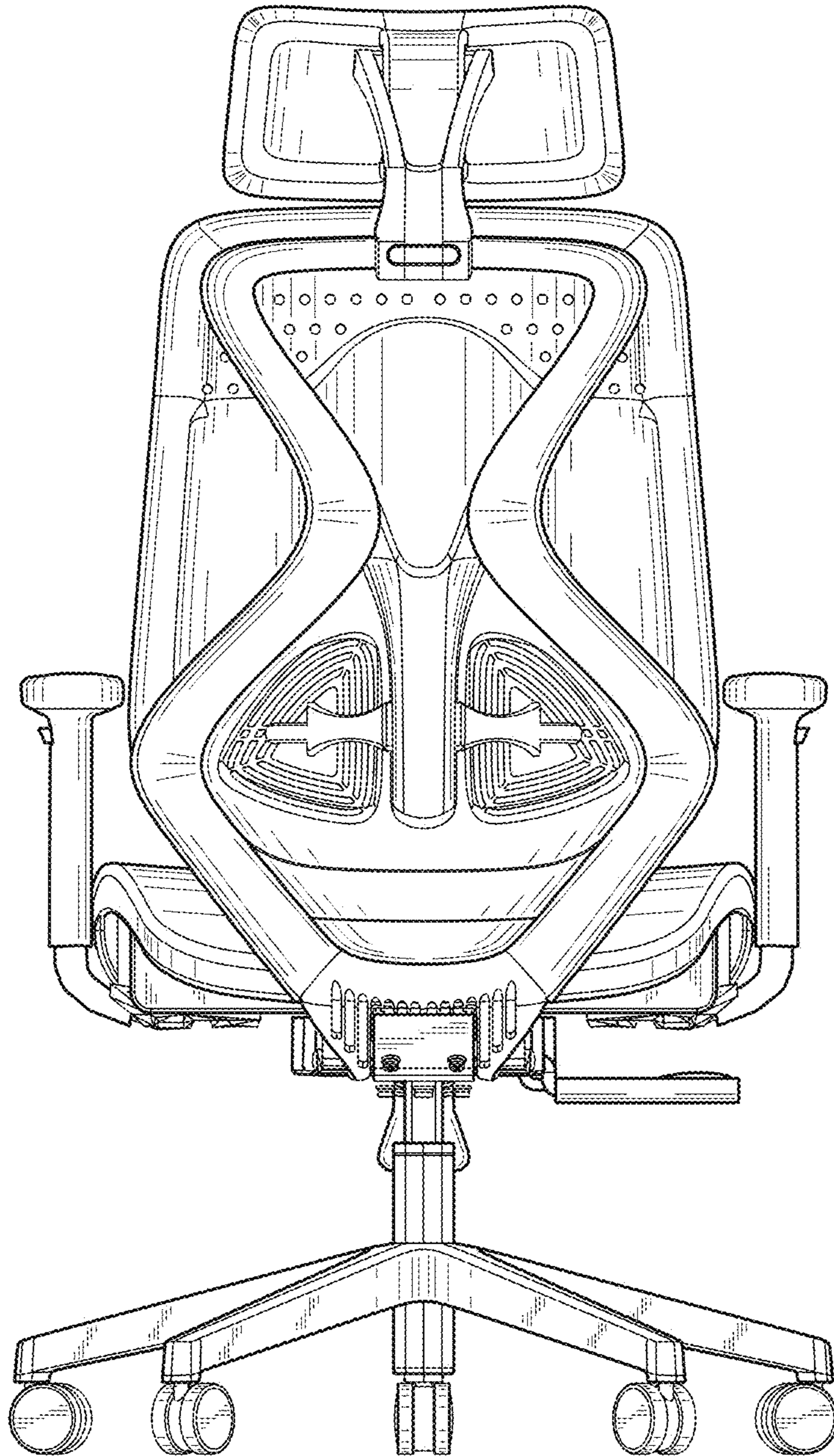


Fig. 3

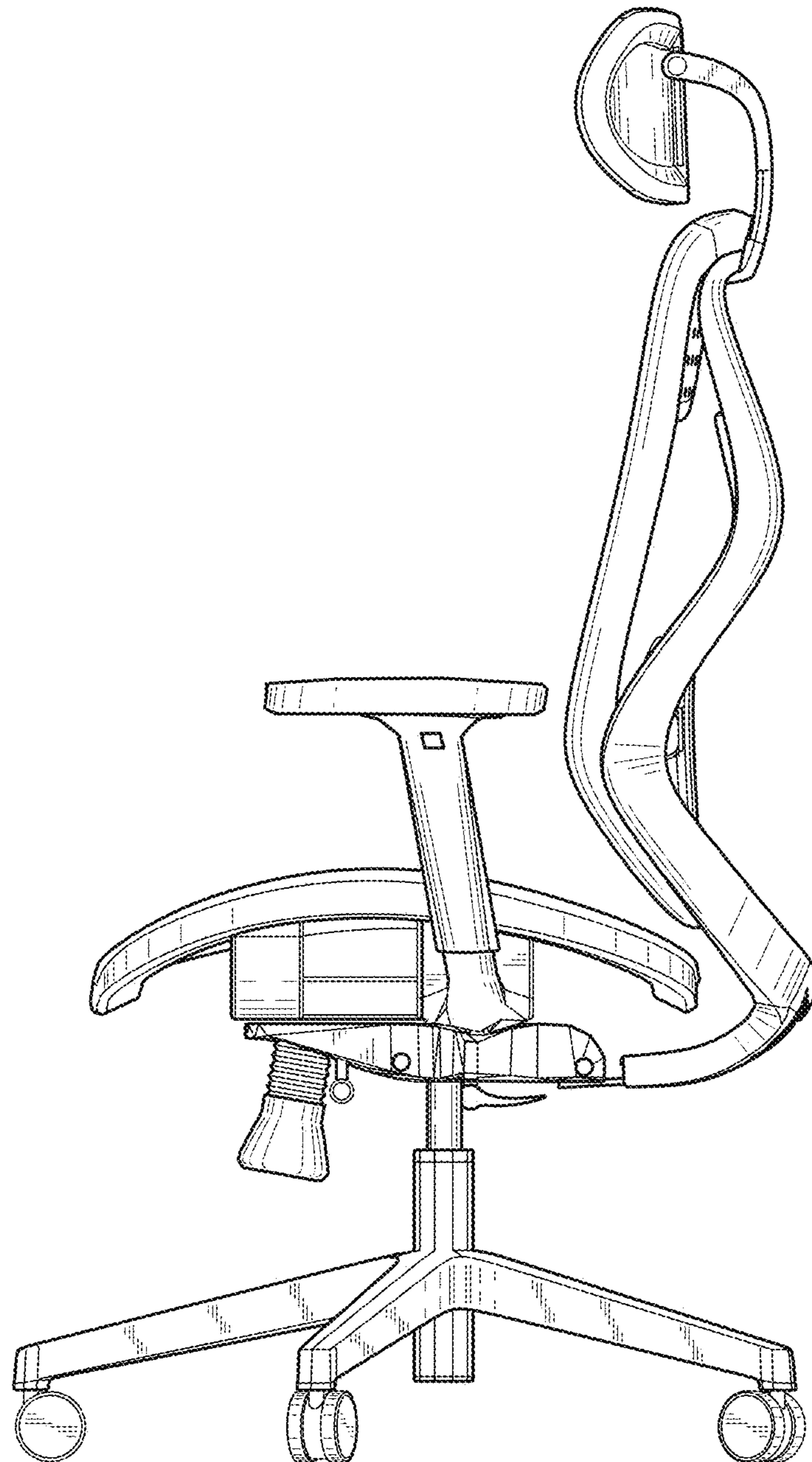


Fig. 4

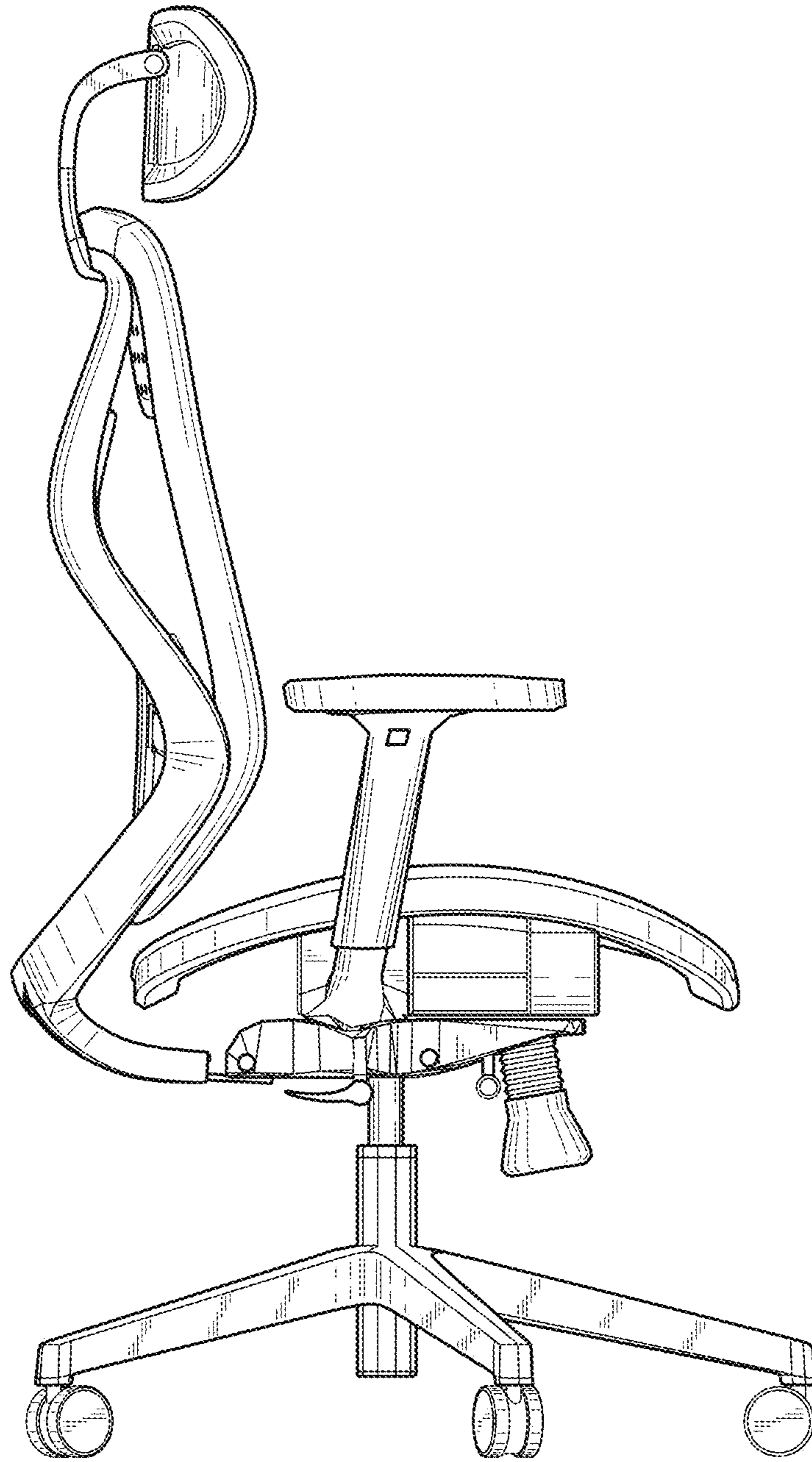


Fig. 5

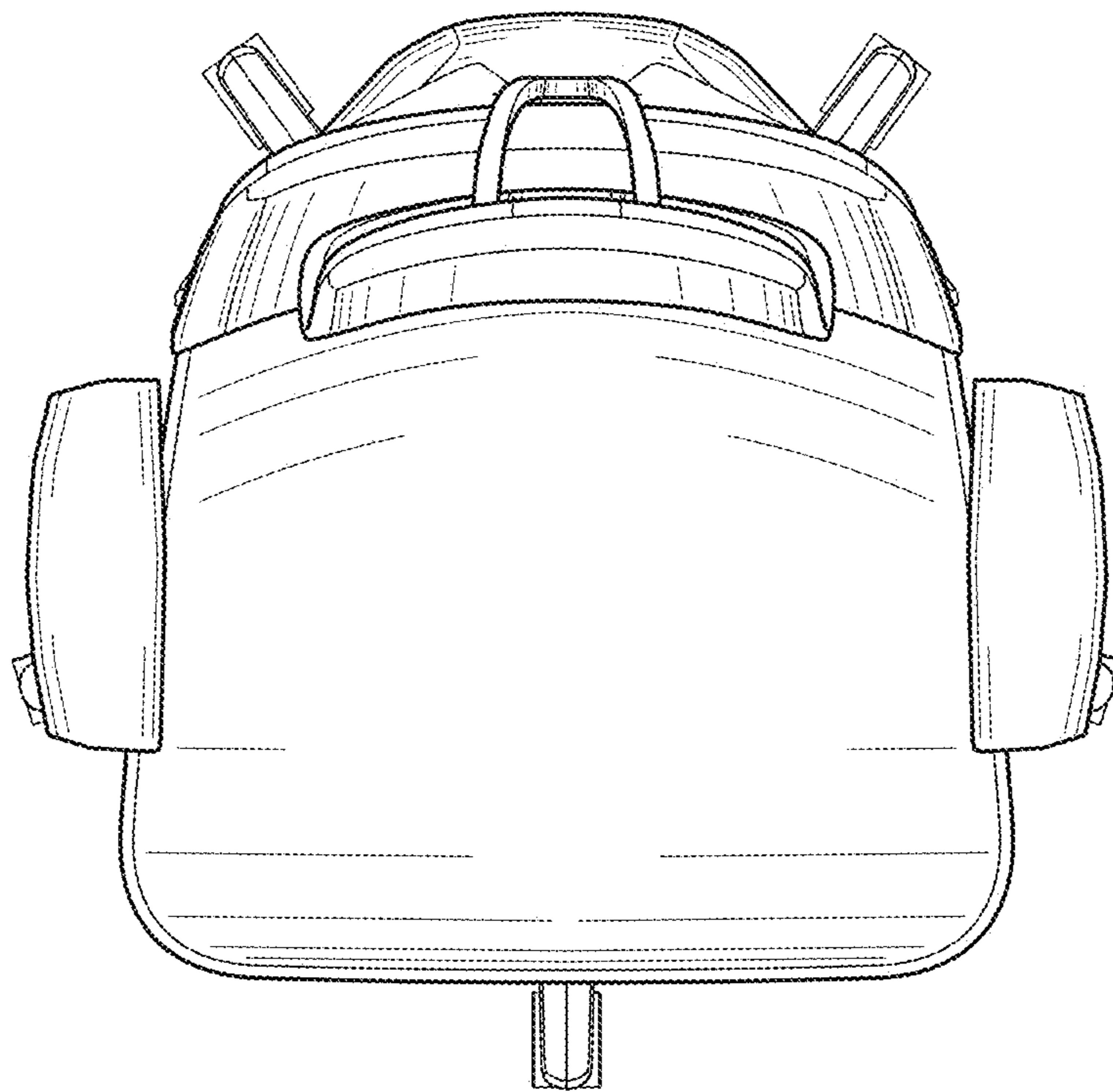


Fig. 6

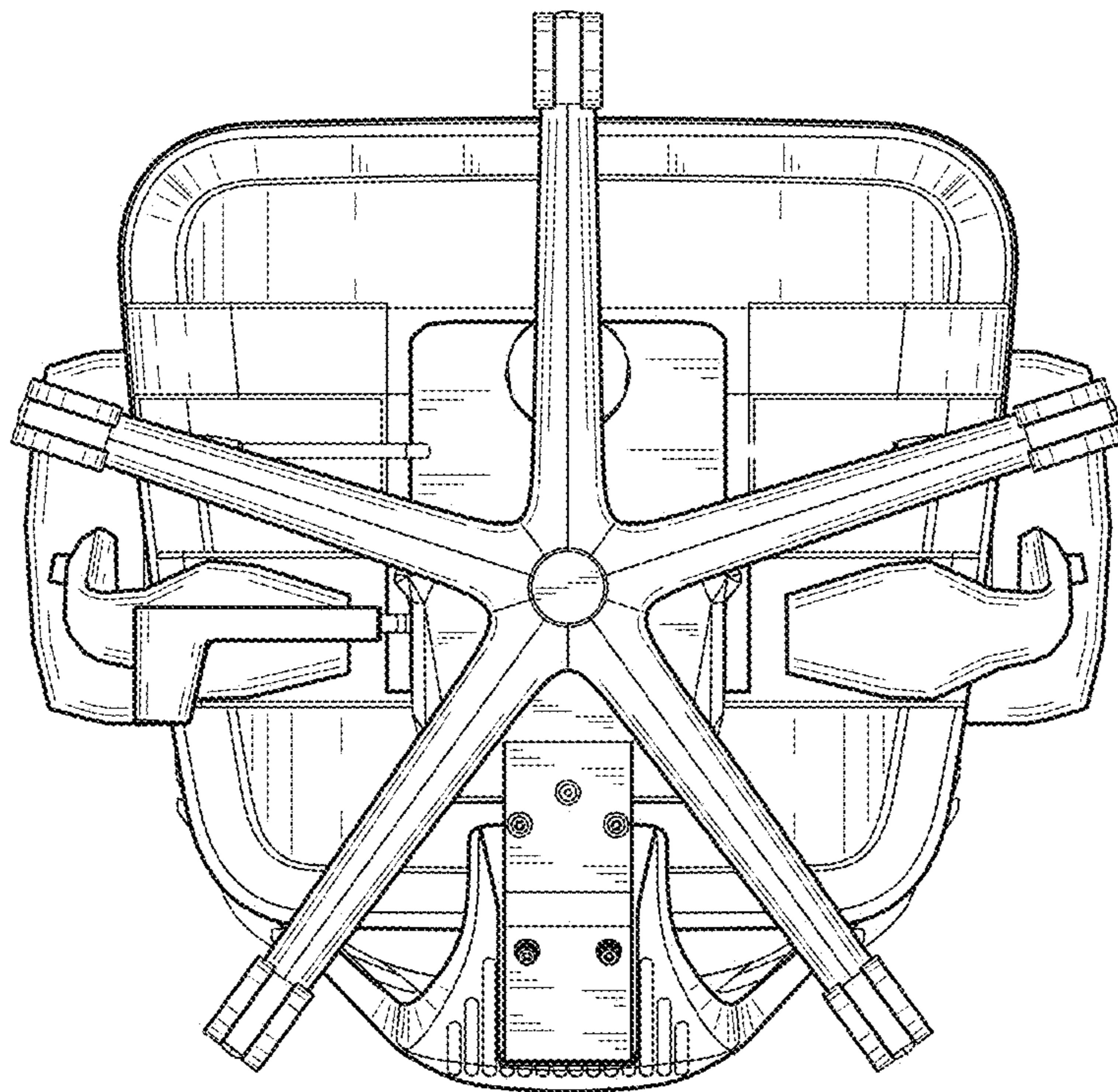


Fig. 7