



US00D931631S

(12) **United States Design Patent** (10) **Patent No.:** **US D931,631 S**
Li (45) **Date of Patent:** **** Sep. 28, 2021**

(54) **CHAIR**

(71) Applicant: **39F USA INC**, Rancho Cucamonga, CA (US)

(72) Inventor: **Yuehai Li**, Rancho Cucamonga, CA (US)

(**) Term: **15 Years**

(21) Appl. No.: **29/711,779**

(22) Filed: **Nov. 2, 2019**

(51) **LOC (13) Cl.** **06-01**

(52) **U.S. Cl.**
USPC **D6/348**

(58) **Field of Classification Search**
USPC D6/347, 348, 361, 716, 718, 344, 373, D6/375, 379, 380, 330, 334, 335, 366, D6/369, 372, 385, 708.16, 358, 377, 370, D6/336, 353; D12/52; D21/412, 688, D21/521; D24/183, 200
CPC A45F 3/22; A45F 3/24; A45F 3/26; A47D 13/10; A47D 13/105; A47D 9/02; A47D 13/00; A47D 13/107; A47C 1/14; A47C 3/0255; A47C 3/029; A47C 3/027; A47C 3/02; A47C 3/04; A47C 3/34; A47C 4/02; A47C 4/03; A47C 4/04; A47C 5/12; A47C 7/52; A47C 7/506; A47C 9/007; A47C 15/008; A47C 17/84; A47C 31/00; A63G 9/00; A63G 9/02; Y10S 135/909; Y10T 403/32409; A61G 15/005; A61G 15/00

See application file for complete search history.

(56) **References Cited**

U.S. PATENT DOCUMENTS

D171,209 S * 12/1953 Jones D6/348
D184,050 S * 12/1958 Gingerich et al. D6/348

D522,765 S * 6/2006 Babick D6/348
D799,839 S * 10/2017 Wanders D6/348
D811,757 S * 3/2018 Moscheri D6/334
D815,449 S * 4/2018 Hannoosh D6/374
D815,452 S * 4/2018 Hannoosh D6/380
D836,934 S * 1/2019 Gufler D6/380
D875,416 S * 2/2020 Fukasawa D6/380
D875,417 S * 2/2020 Fukasawa D6/380
D876,116 S * 2/2020 Ji D6/374
D879,496 S * 3/2020 Velez D6/380
D890,540 S * 7/2020 Smrstick D6/373
D891,805 S * 8/2020 Li D6/374
D891,807 S * 8/2020 Li D6/375
D895,995 S * 9/2020 Killinger D6/374
D897,127 S * 9/2020 Li D6/380
2016/0345738 A1* 12/2016 Arruda A47C 4/02

* cited by examiner

Primary Examiner — Kevin K Rudzinski
Assistant Examiner — Paul D Bohannon
(74) *Attorney, Agent, or Firm* — Feng Qian

(57) **CLAIM**

The ornamental design for a chair, as shown and described.

DESCRIPTION

FIG. 1 is a front perspective view of a chair showing my new design;
FIG. 2 is a front elevation view thereof;
FIG. 3 is a rear elevation view thereof;
FIG. 4 is a left-side elevation view thereof;
FIG. 5 is a right-side elevation view thereof;
FIG. 6 is a top plan view thereof; and,
FIG. 7 is a bottom plan view thereof.
The broken lines shown in the drawings are for the purpose of illustrating portions of the article, and form no part of the claimed design.

1 Claim, 7 Drawing Sheets

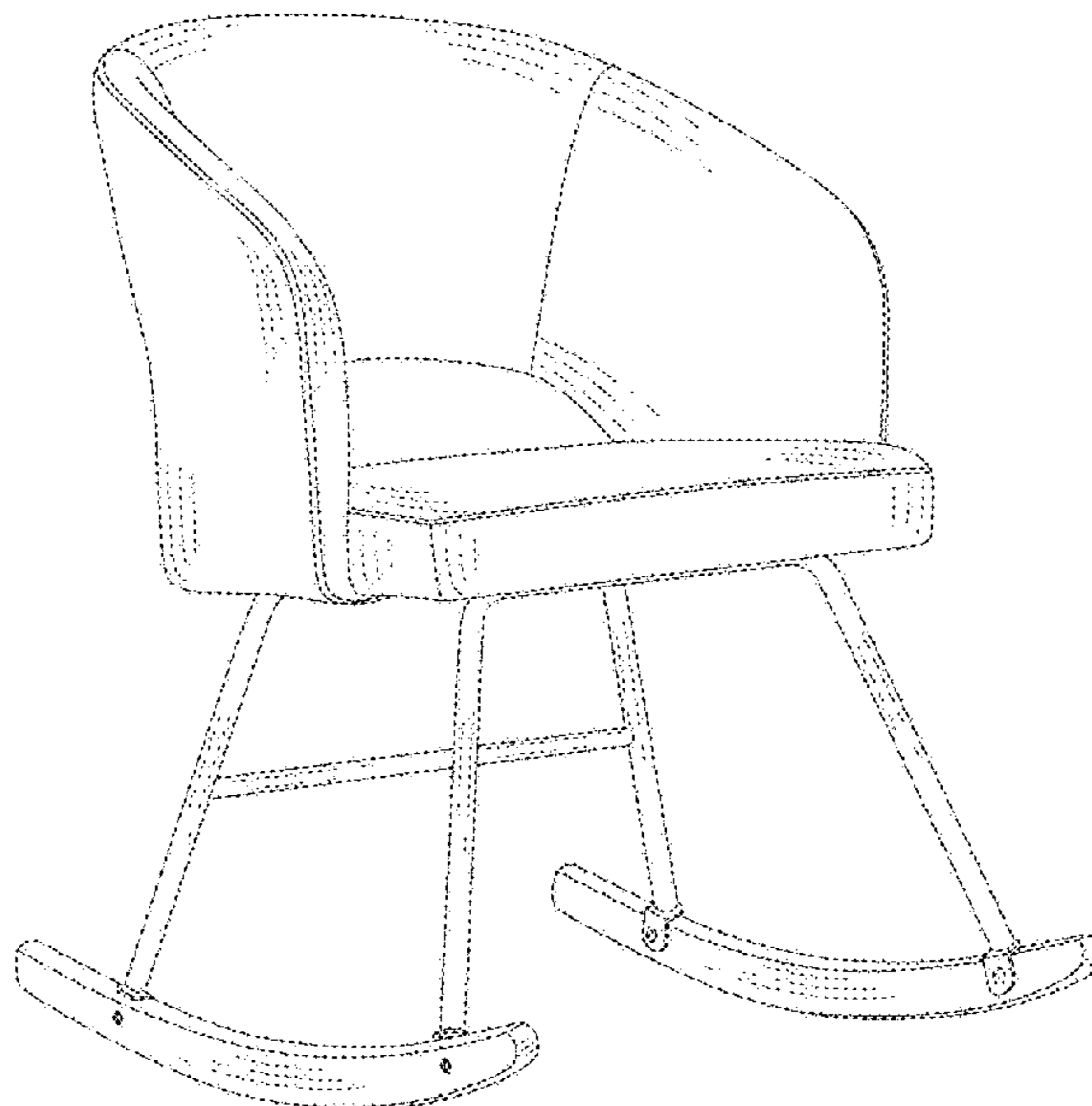




Fig.1

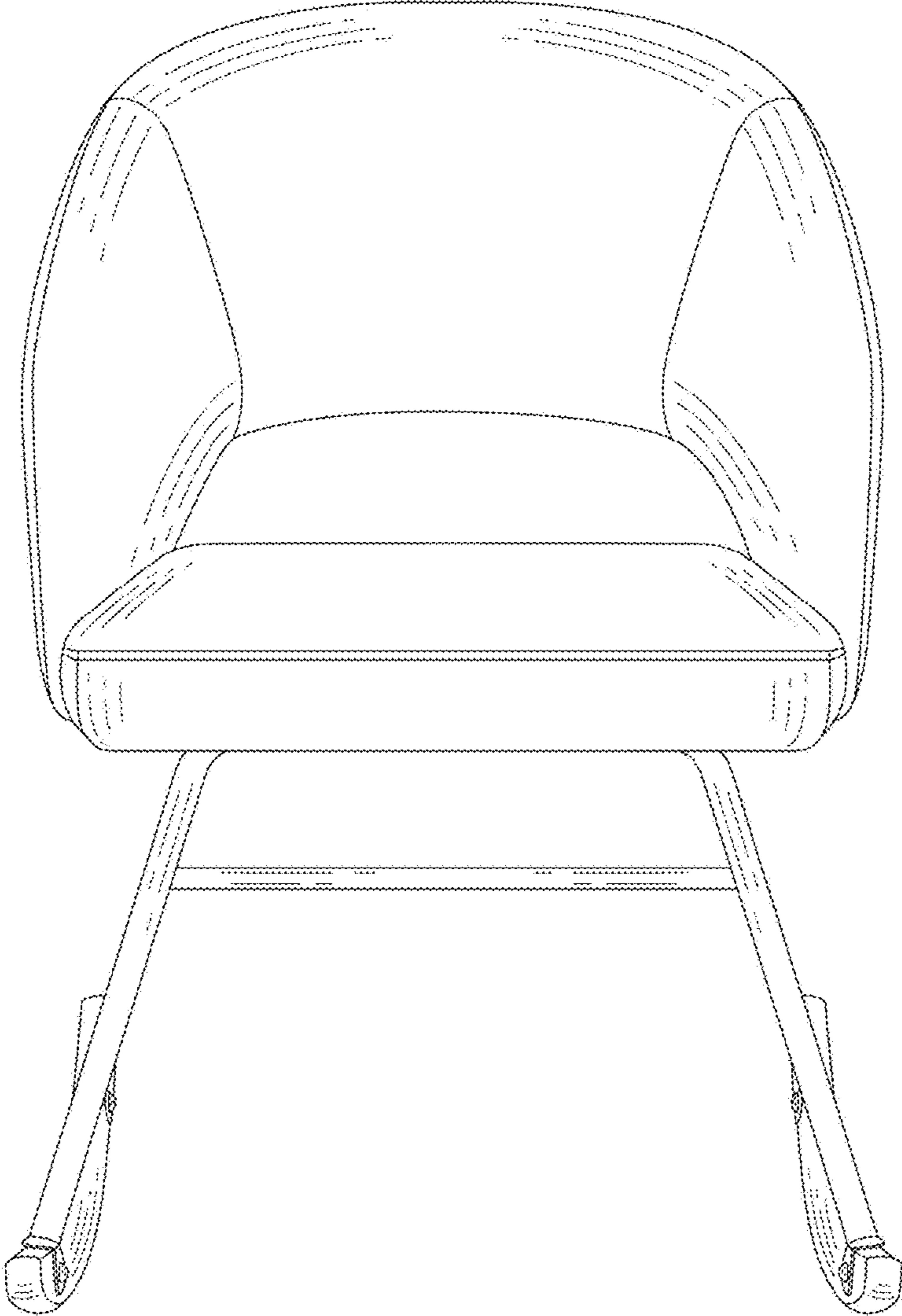


Fig.2

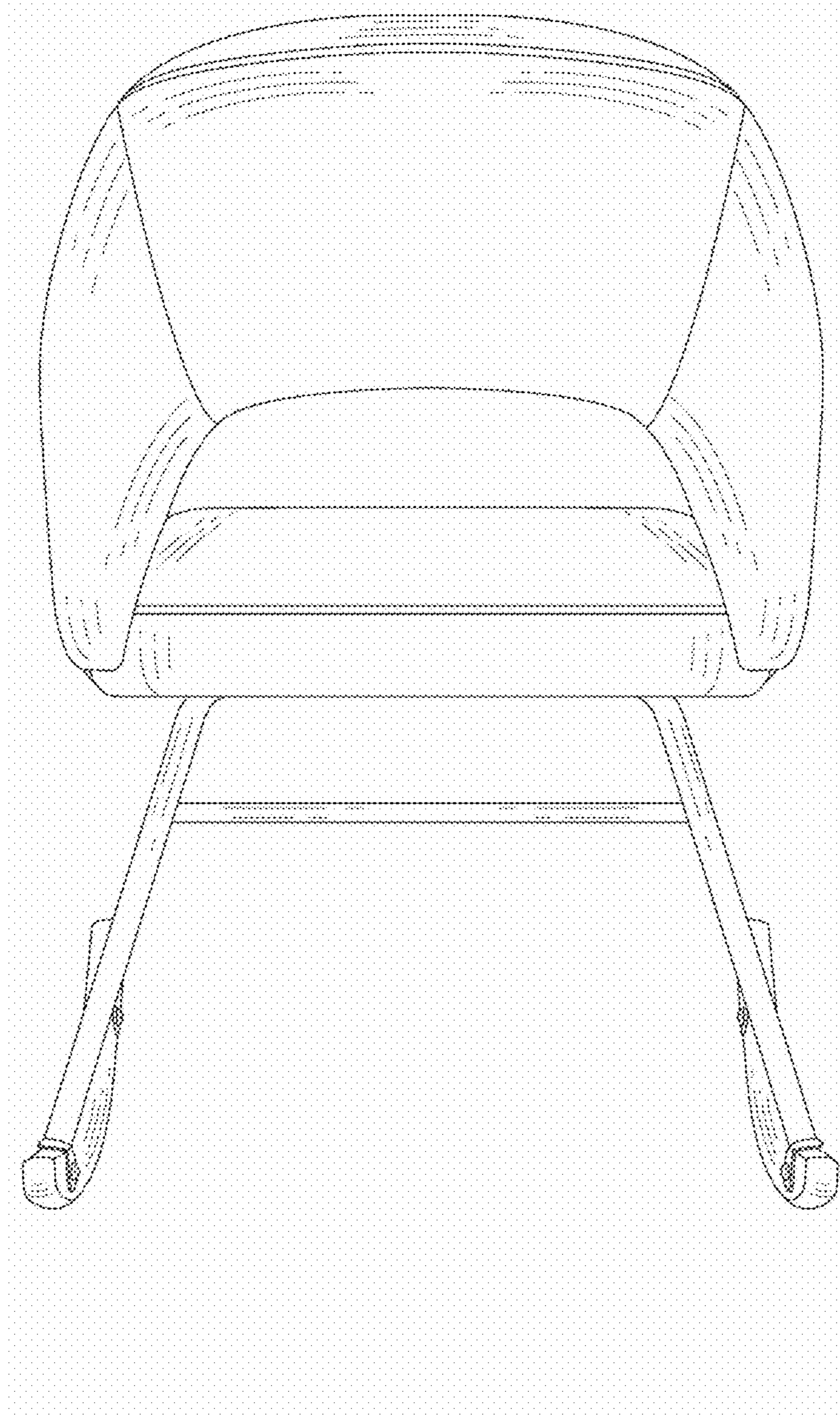


Fig.3

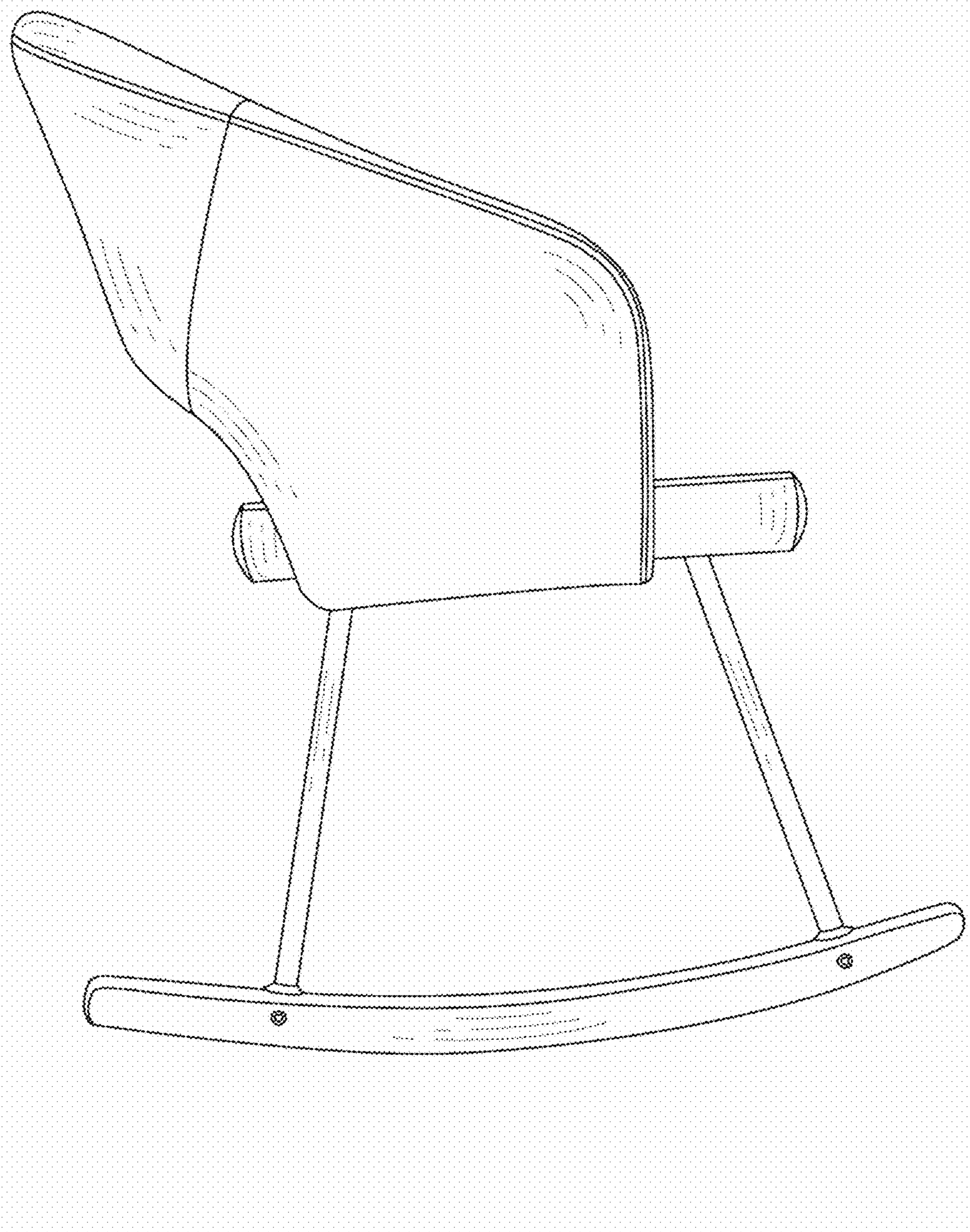


Fig.4

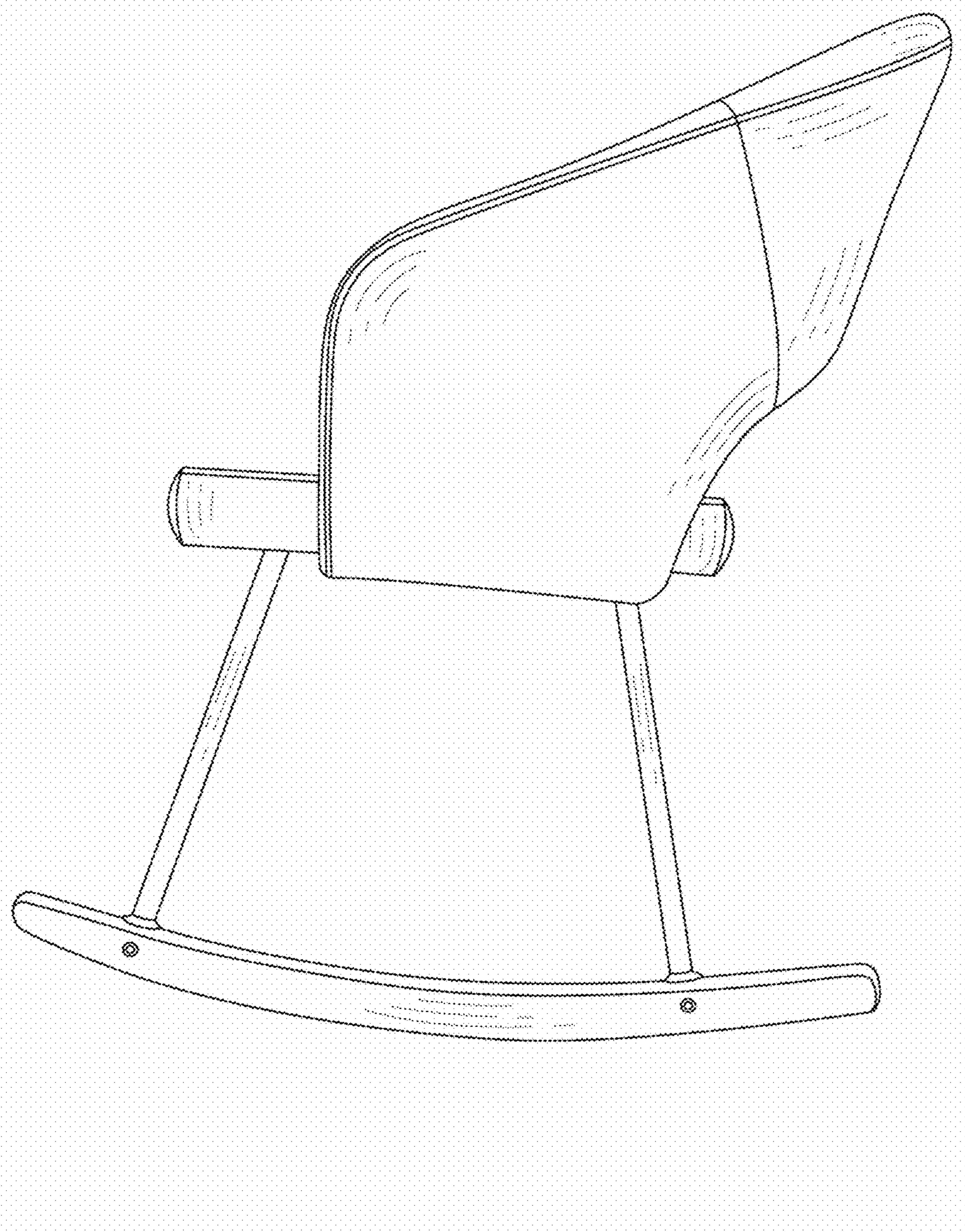


Fig.5

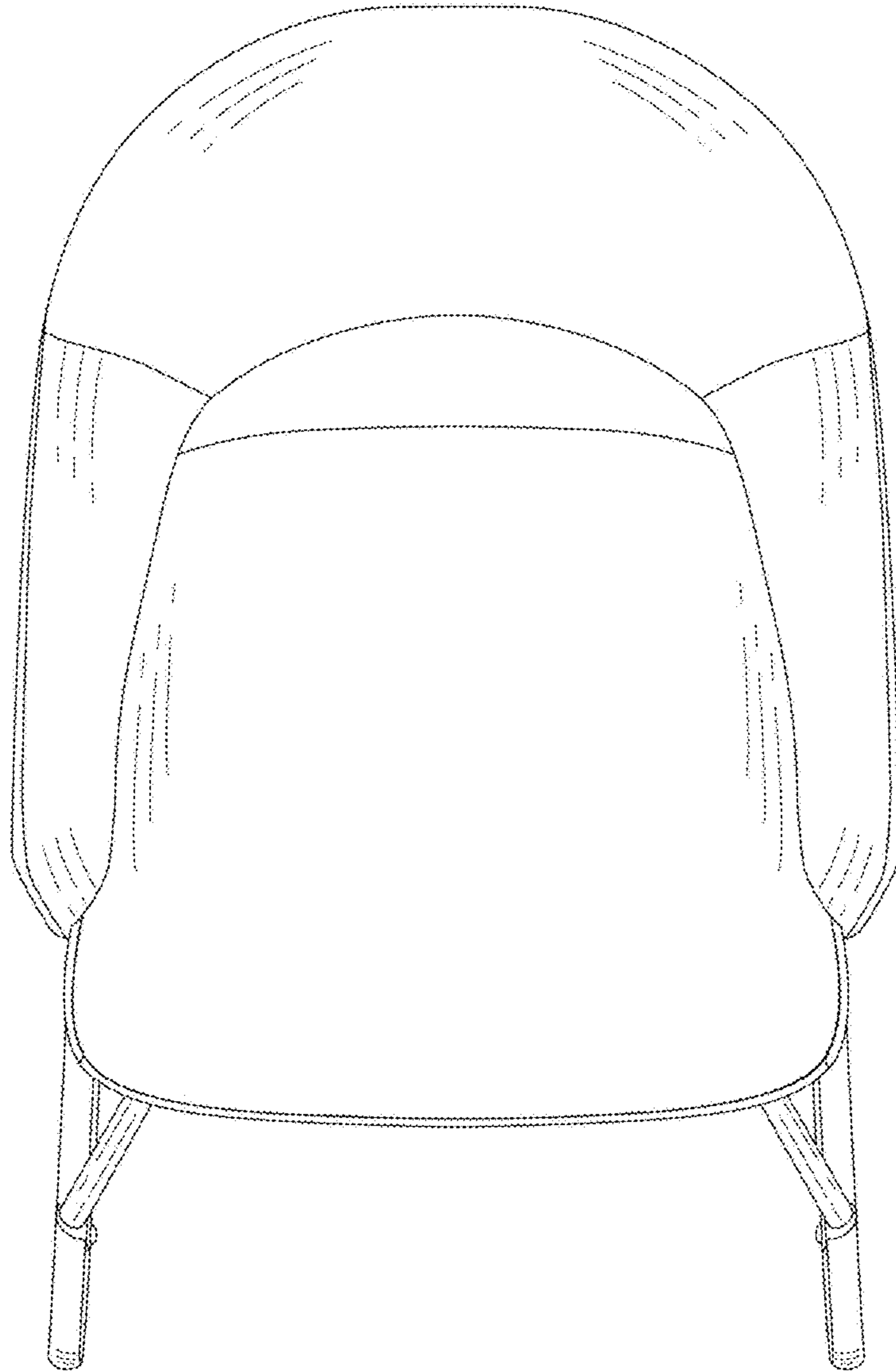


Fig.6

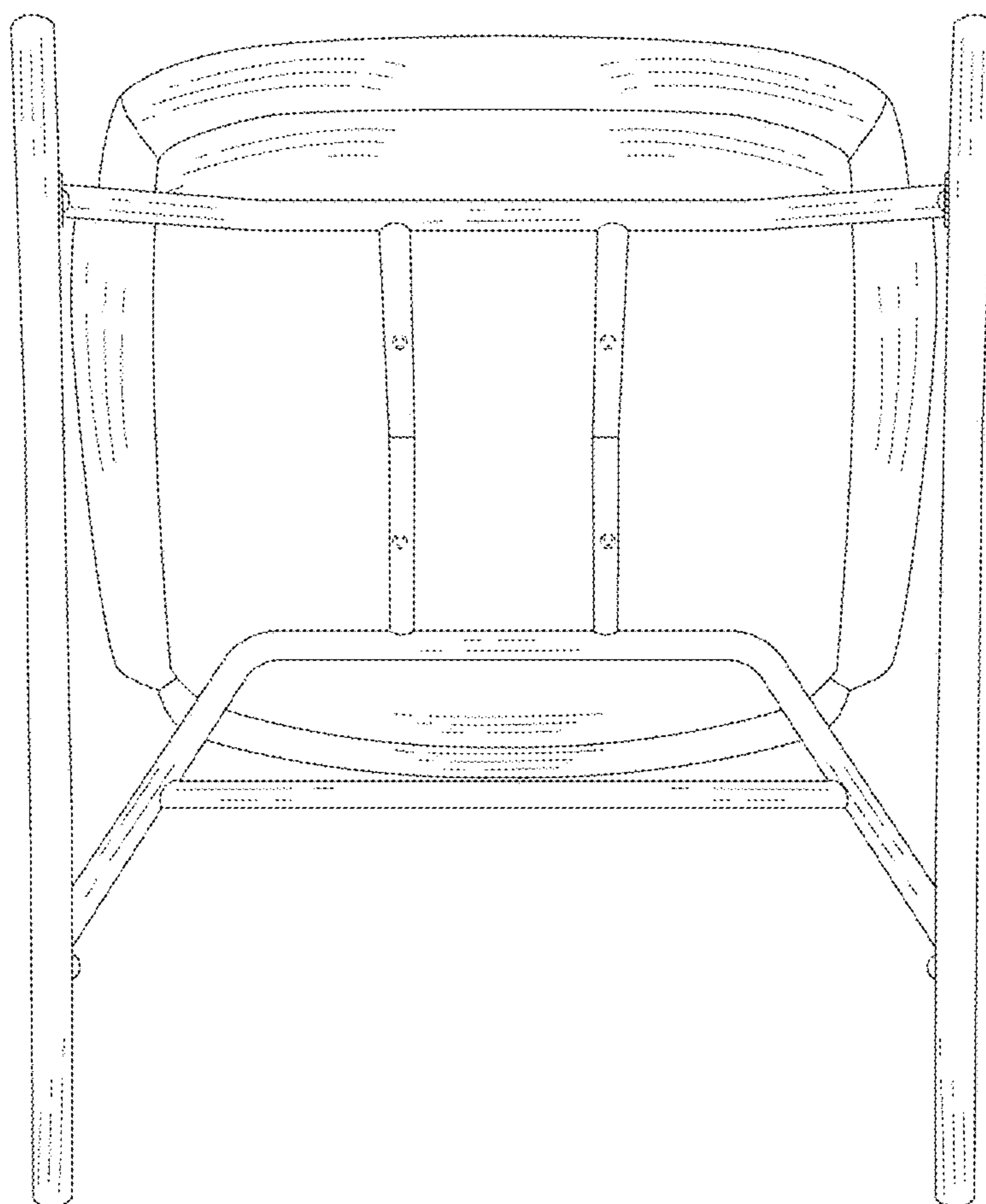


Fig. 7